



US00D337236S

United States Patent [19]
Sambinelli

[11] **Patent Number: Des. 337,236**

[45] **Date of Patent: ** Jul. 13, 1993**

[54] **INFUSING POT**

[75] **Inventor: Flavio Sambinelli, Gussago, Italy**

[73] **Assignee: Carlo Giannini S.p.A., Brescia, Italy**

[**] **Term: 14 Years**

[21] **Appl. No.: 695,763**

[22] **Filed: May 6, 1991**

[30] **Foreign Application Priority Data**

Nov. 21, 1990 [IT] Italy 7072/90[U]

[52] **U.S. Cl. D7/317; D7/318;
D7/316**

[58] **Field of Search D7/321, 317, 316, 318,
D7/319, 320, 322, 312, 300, 303, 302;
222/465.1, 475.1, 572**

[56] **References Cited**

U.S. PATENT DOCUMENTS

- D. 95,278 4/1935 Mills D7/321
- D. 95,621 5/1935 Zettler D7/321
- D. 101,721 10/1936 Spinelli et al. D7/513
- D. 101,960 11/1936 Kogan D7/321

- D. 281,570 12/1985 Zimmerman D7/319 X
- 3,927,608 12/1975 Doyel D7/317 X
- 4,365,544 12/1982 Howitt D7/317 X

OTHER PUBLICATIONS

Home Furnishing Daily, Jul. 9, 1973, p. 35.
House Beautiful, Oct. 1964, p. 85, Insta-Brewer.

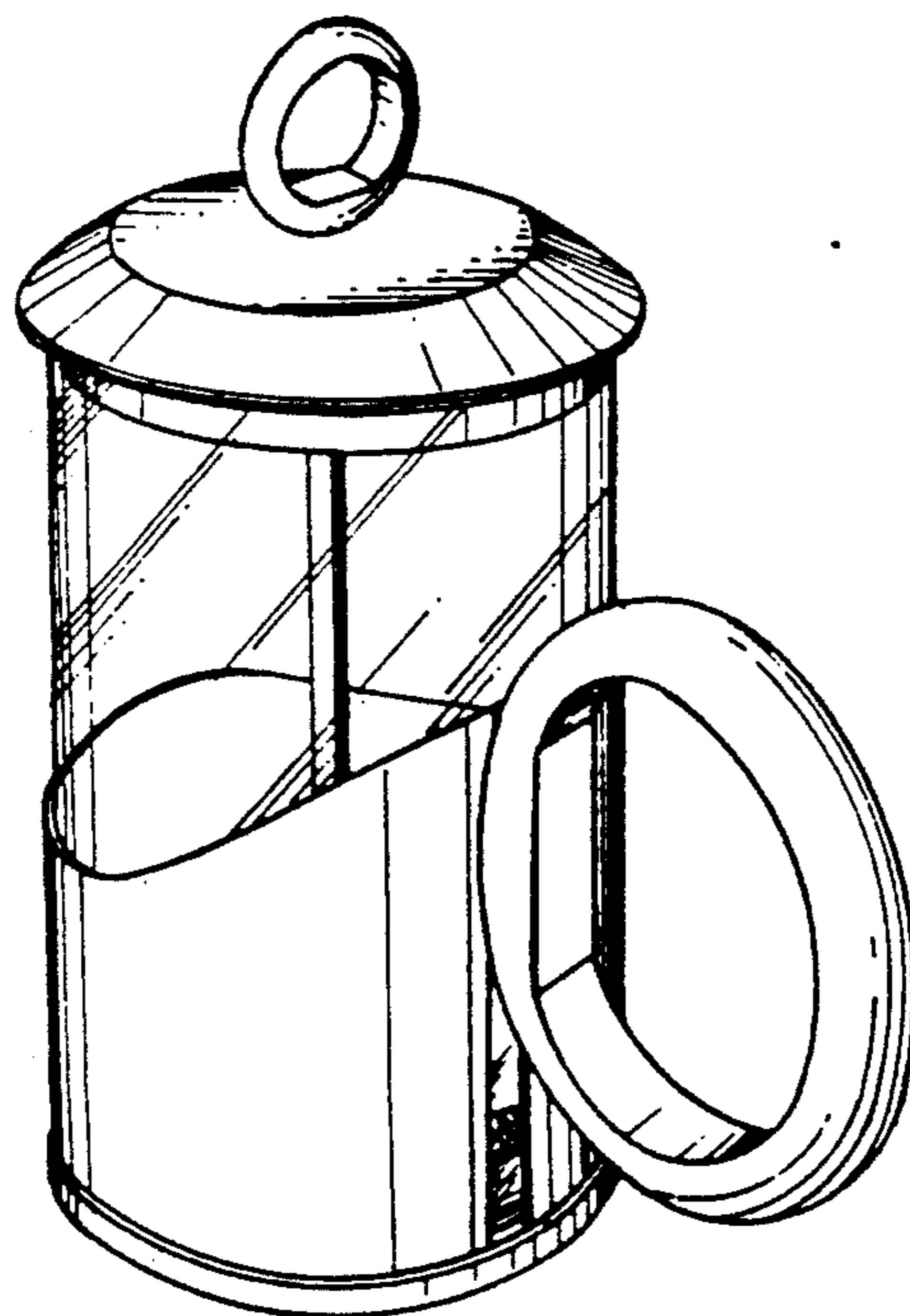
Primary Examiner—Alan P. Douglas
Assistant Examiner—M. N. Pandozzi
Attorney, Agent, or Firm—McGlew and Tuttle

[57] **CLAIM**

The ornamental design for an infusing pot, as shown and described.

DESCRIPTION

FIG. 1 is a perspective view of an infusing pot showing my design;
FIG. 2 is an elevation view from a side thereof;
FIG. 3 is an elevation view from the opposite side thereof;
FIG. 4 is a front elevation view thereof;
FIG. 5 is a rear elevation view thereof;
FIG. 6 is a top plan view thereof; and,
FIG. 7 is a bottom plan view thereof.



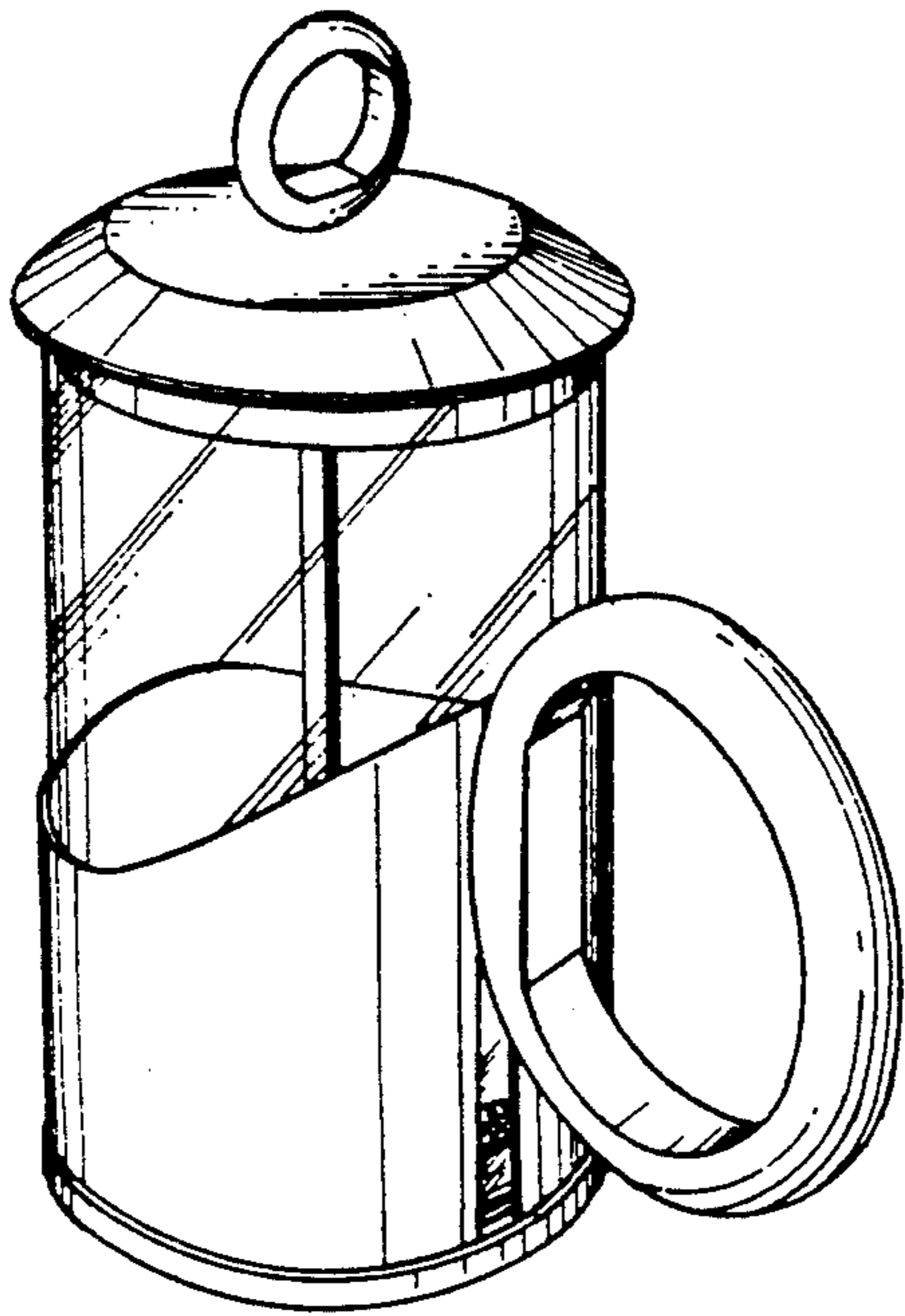


Fig. 1

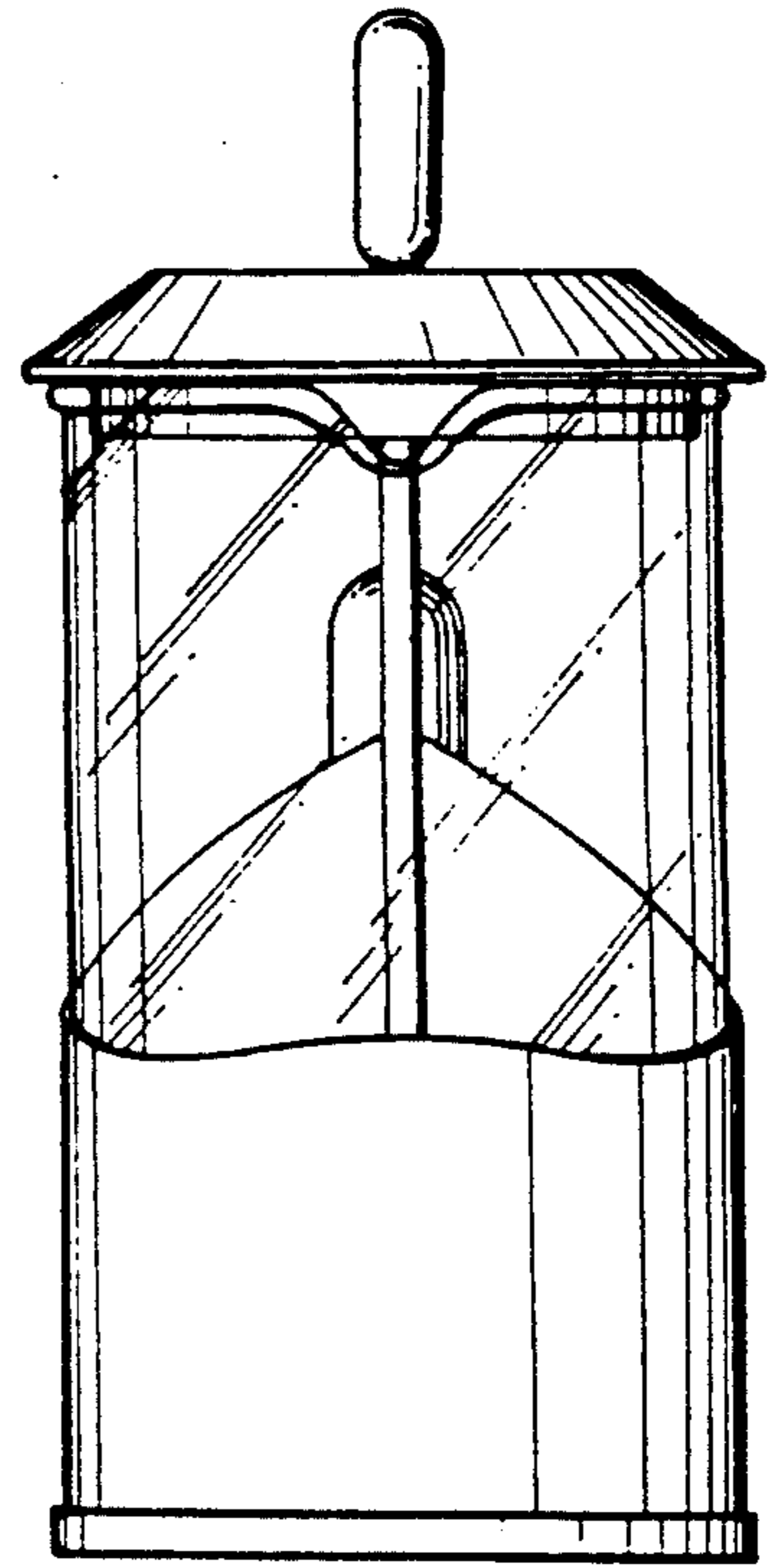


Fig. 4

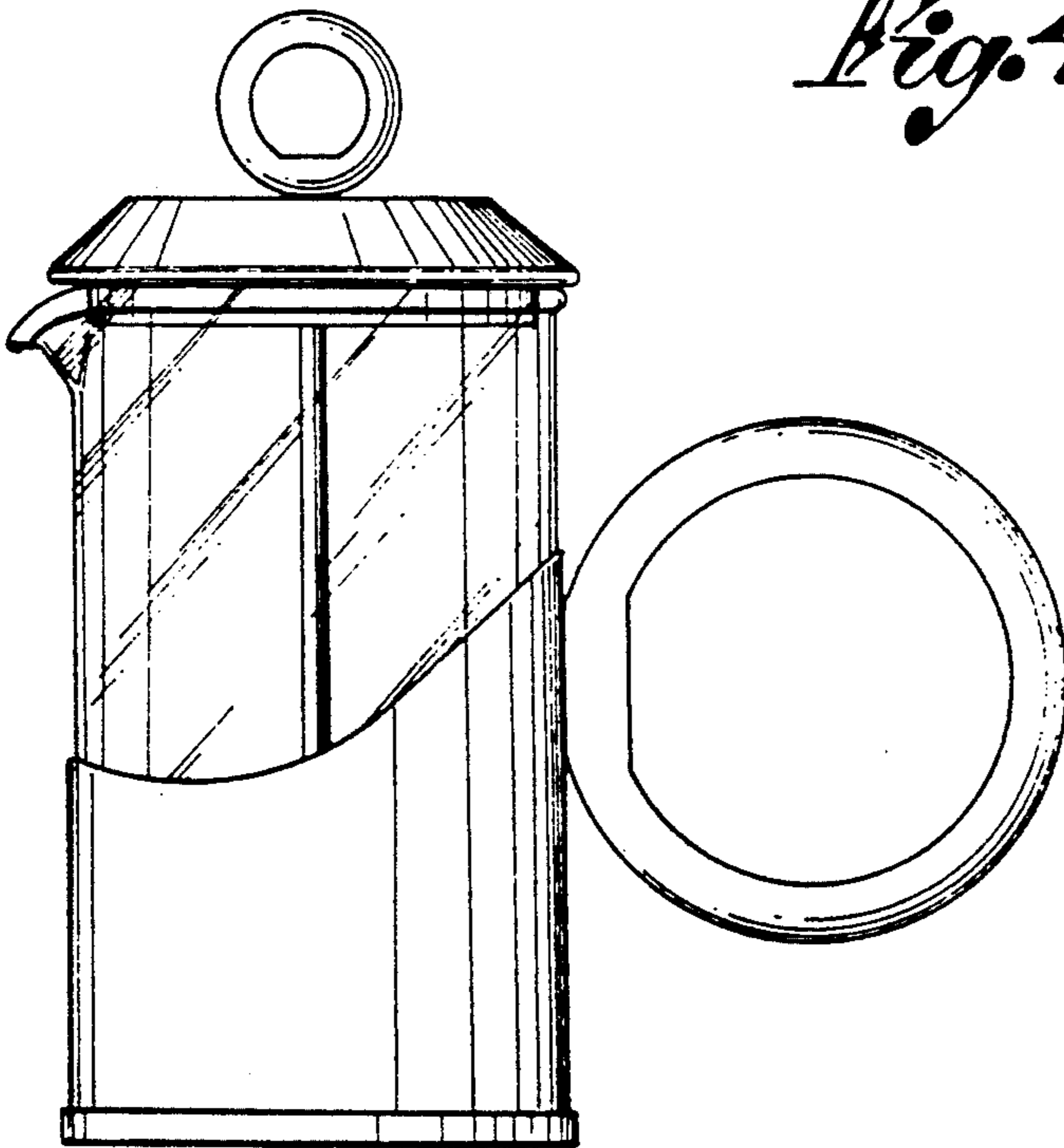


Fig. 2

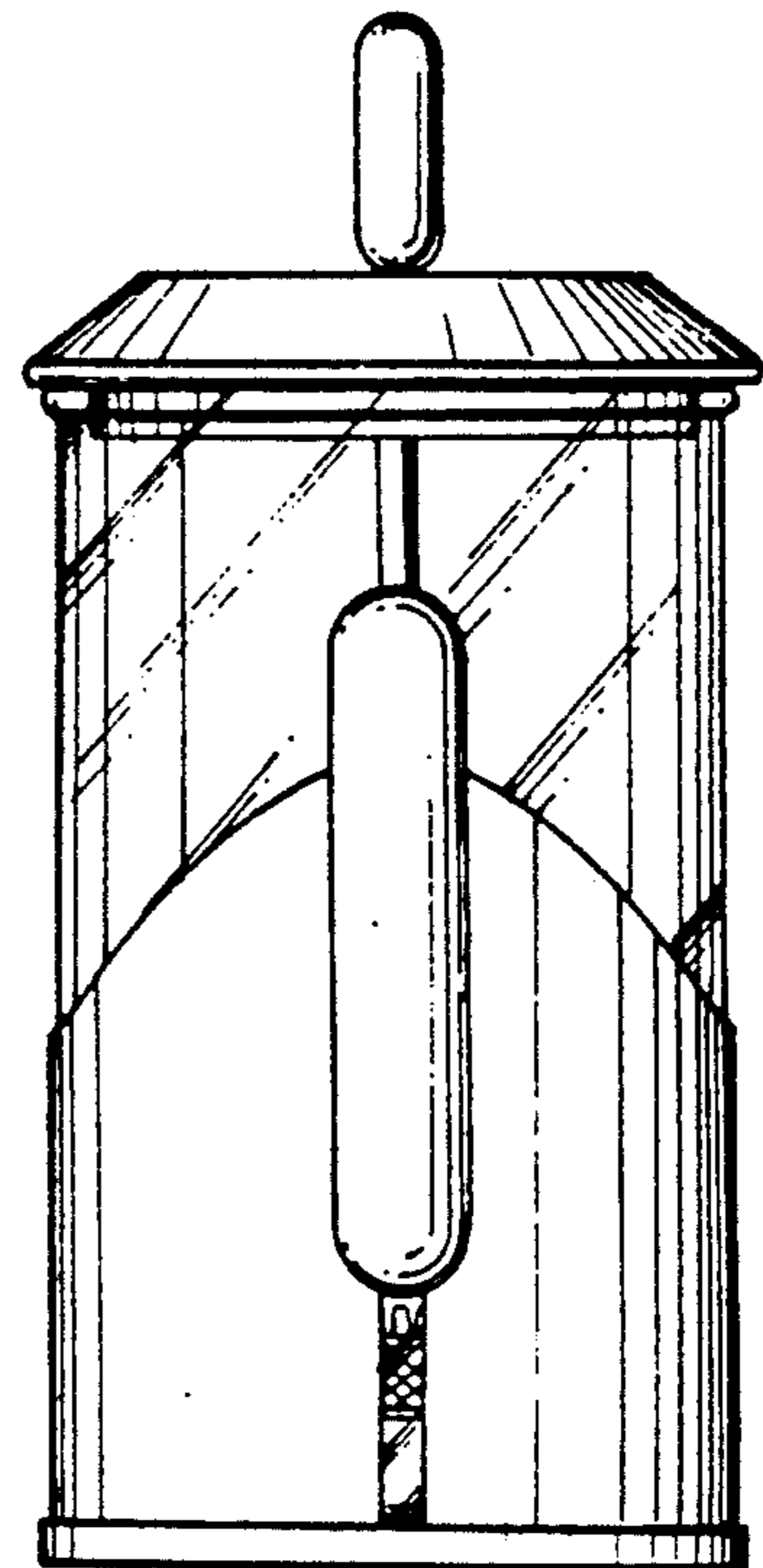


Fig. 5

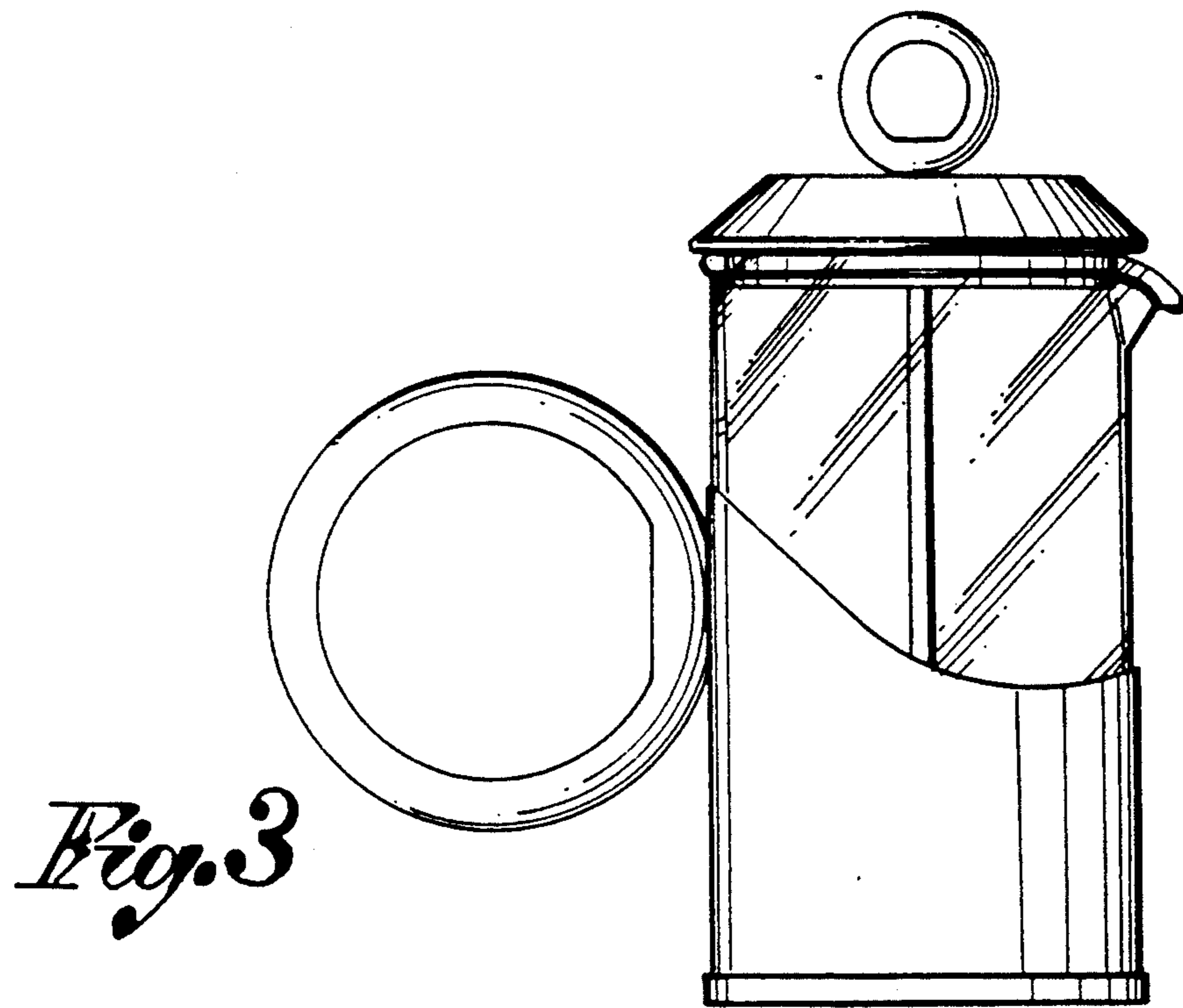


Fig. 3

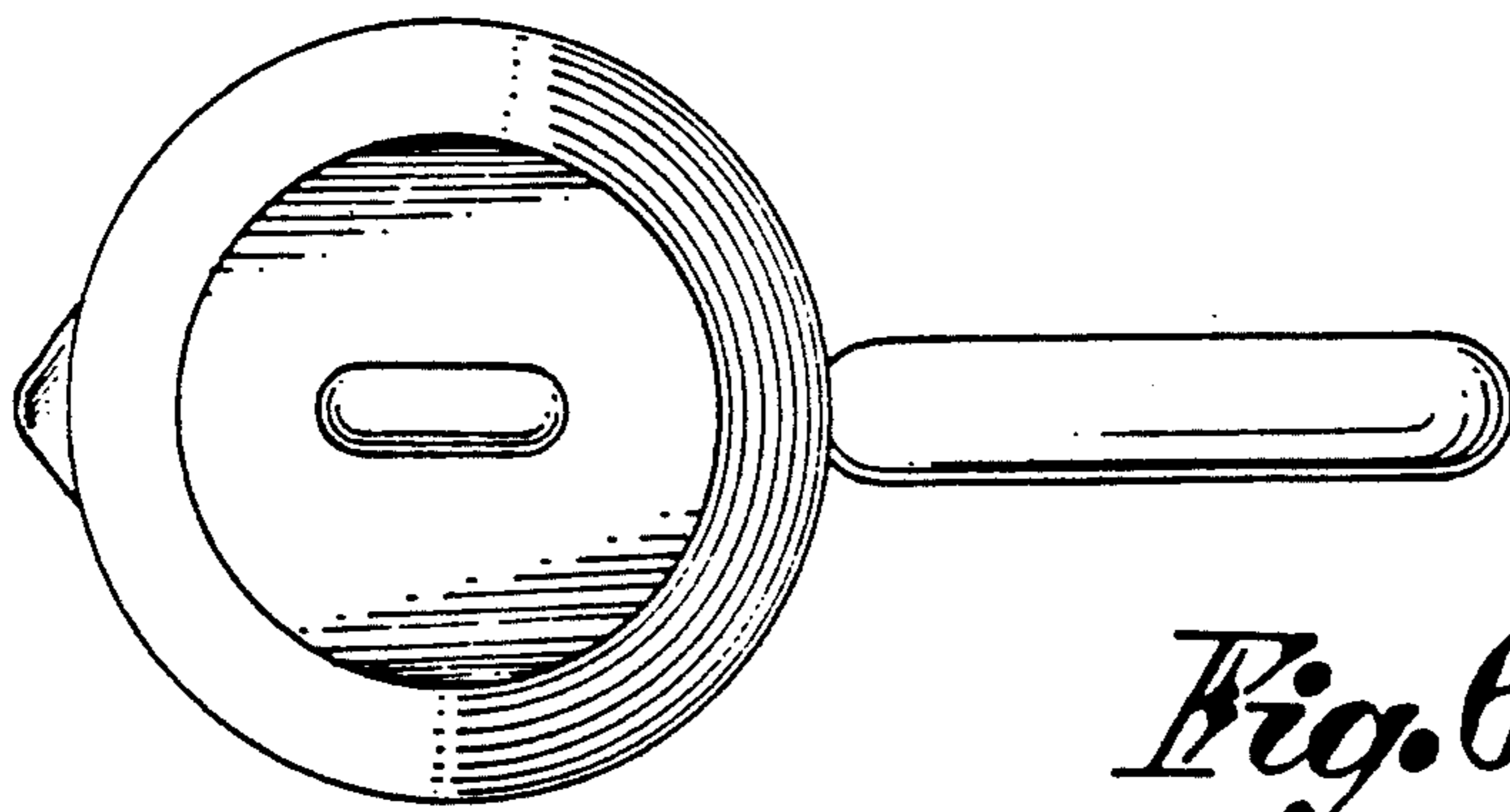


Fig. 6

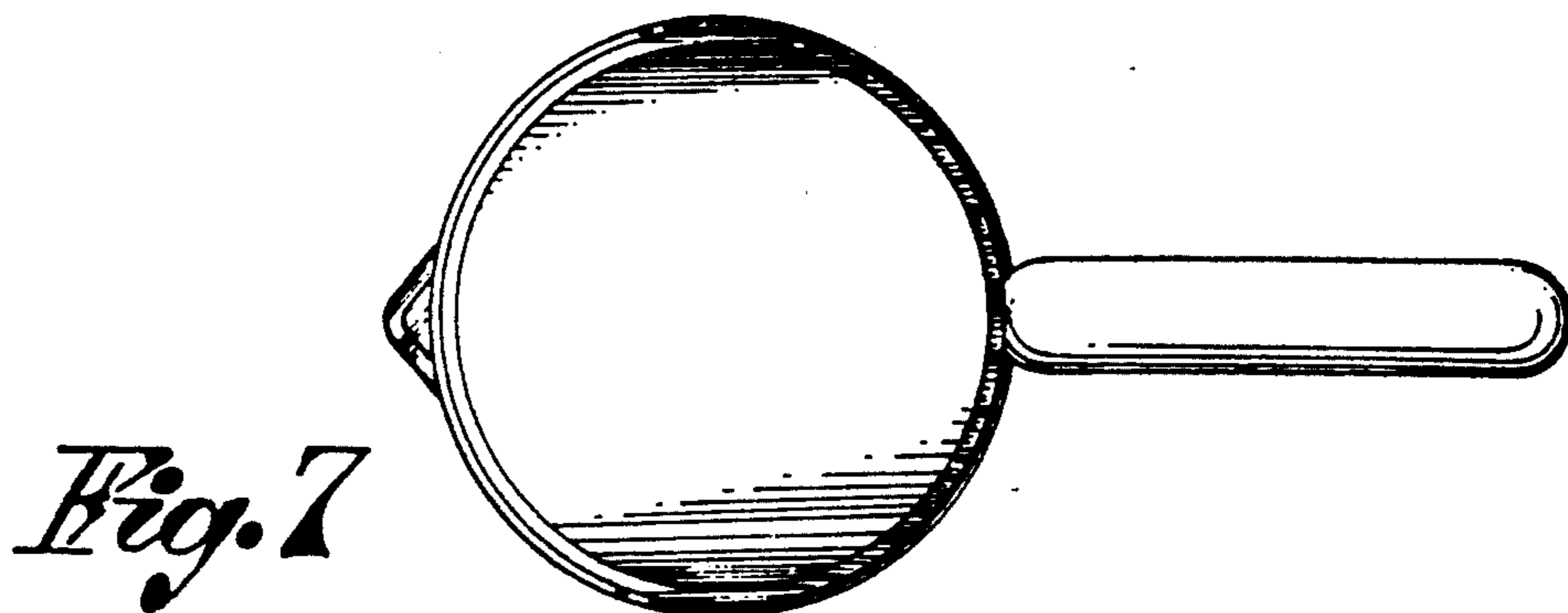


Fig. 7