



US00D337235S

United States Patent [19]

Huang

[11] Patent Number: **Des. 337,235**

[45] Date of Patent: **** Jul. 13, 1993**

[54] **INSULATED JUG**

[76] Inventor: **Frank T. H. Huang**, Suite 804, 8F.,
No. 598, Ming Sheng E. Rd., Taipei,
Taiwan

[**] Term: **14 Years**

[21] Appl. No.: **752,228**

[22] Filed: **Aug. 23, 1991**

[52] U.S. Cl. **D7/317; D7/605**

[58] Field of Search **D7/300, 312, 316-318,
D7/321; 62/457.1; 215/13.1, 12.1, 12.2;
99/317-323; 222/465.1, 475.1, 570**

[56] **References Cited**

U.S. PATENT DOCUMENTS

D. 302,093 7/1989 Palsby D7/317
4,754,888 7/1988 Letsch et al. 215/12.1

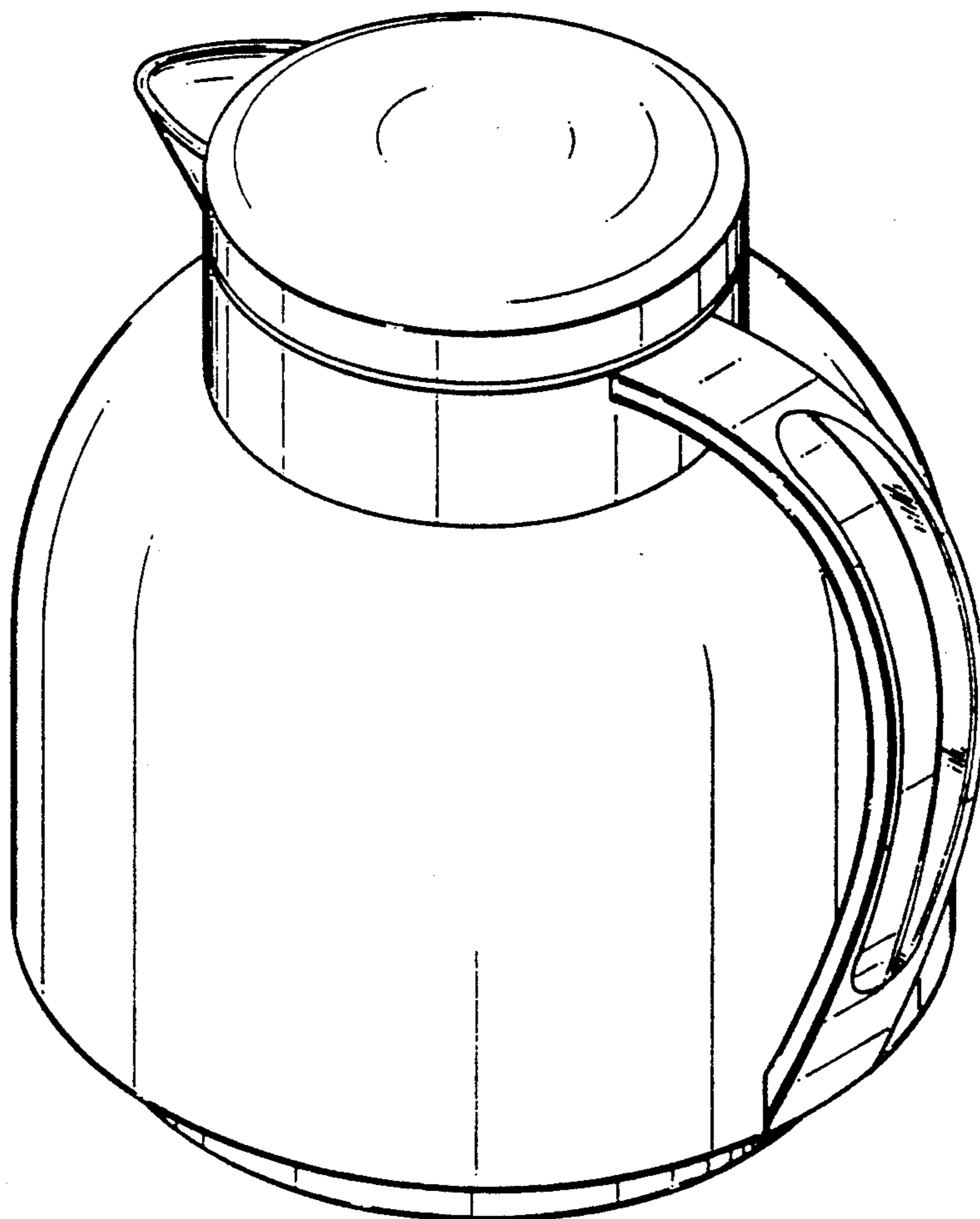
Primary Examiner—Terry A. Pfeffer
Attorney, Agent, or Firm—Varndell Legal Group

[57] **CLAIM**

The ornamental design for insulated jug, as shown and described.

DESCRIPTION

FIG. 1 is a perspective view of insulated jug showing my new design;
FIG. 2 is a front elevational view thereof;
FIG. 3 is a left side elevational view thereof;
FIG. 4 is a right side elevational view thereof;
FIG. 5 is a top plan view; and,
FIG. 6 is a bottom plan view.



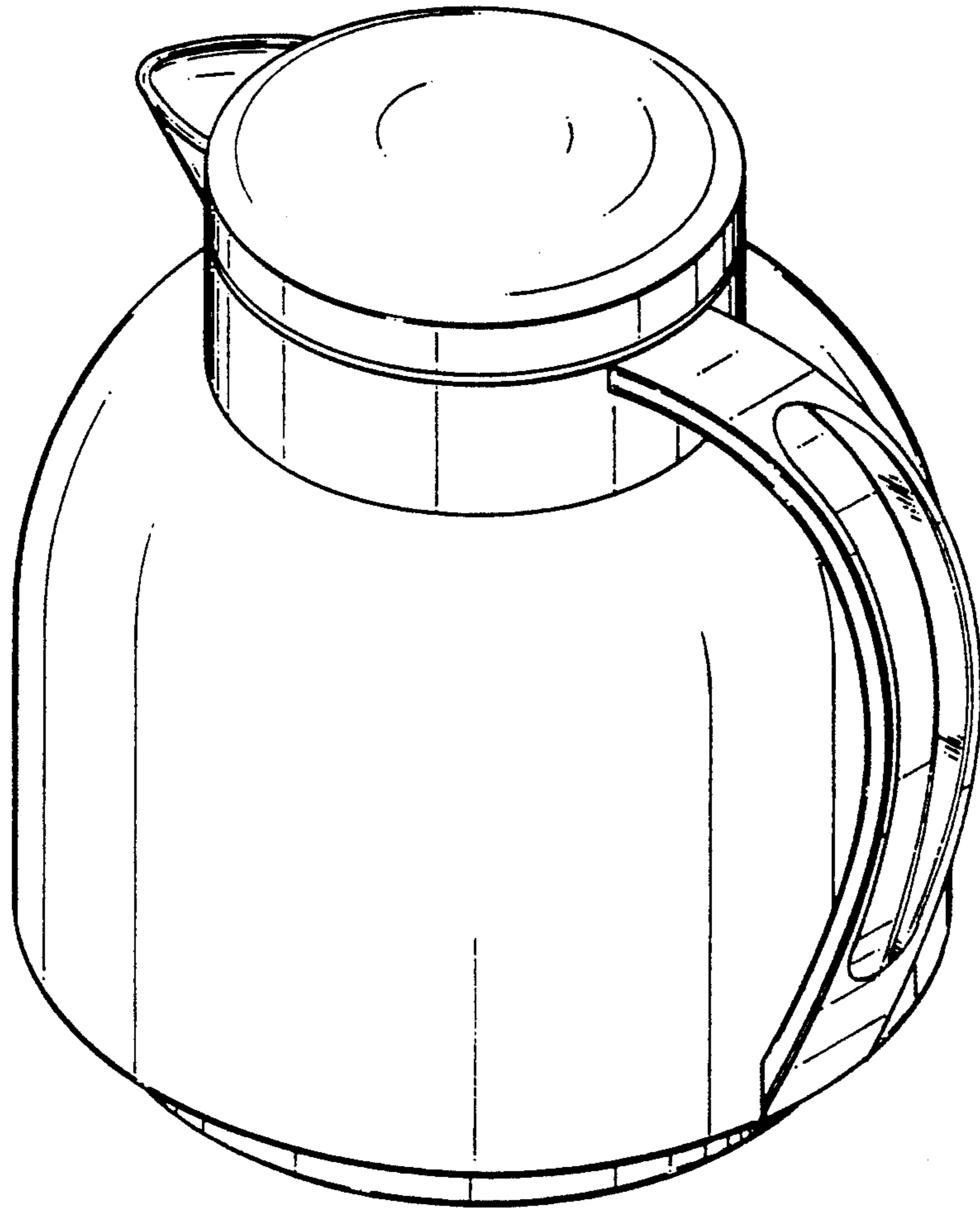


Fig. 1

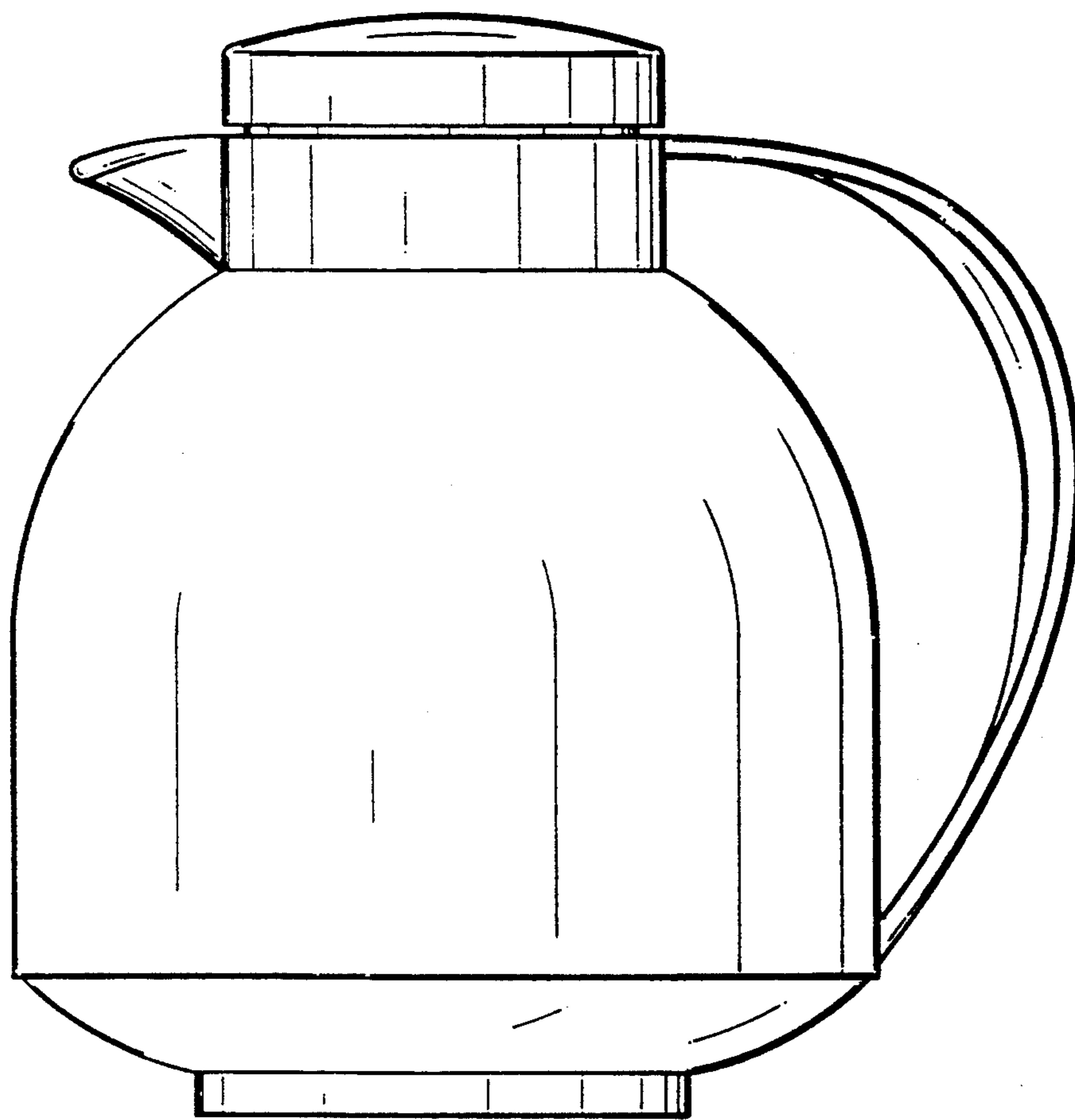


Fig. 2

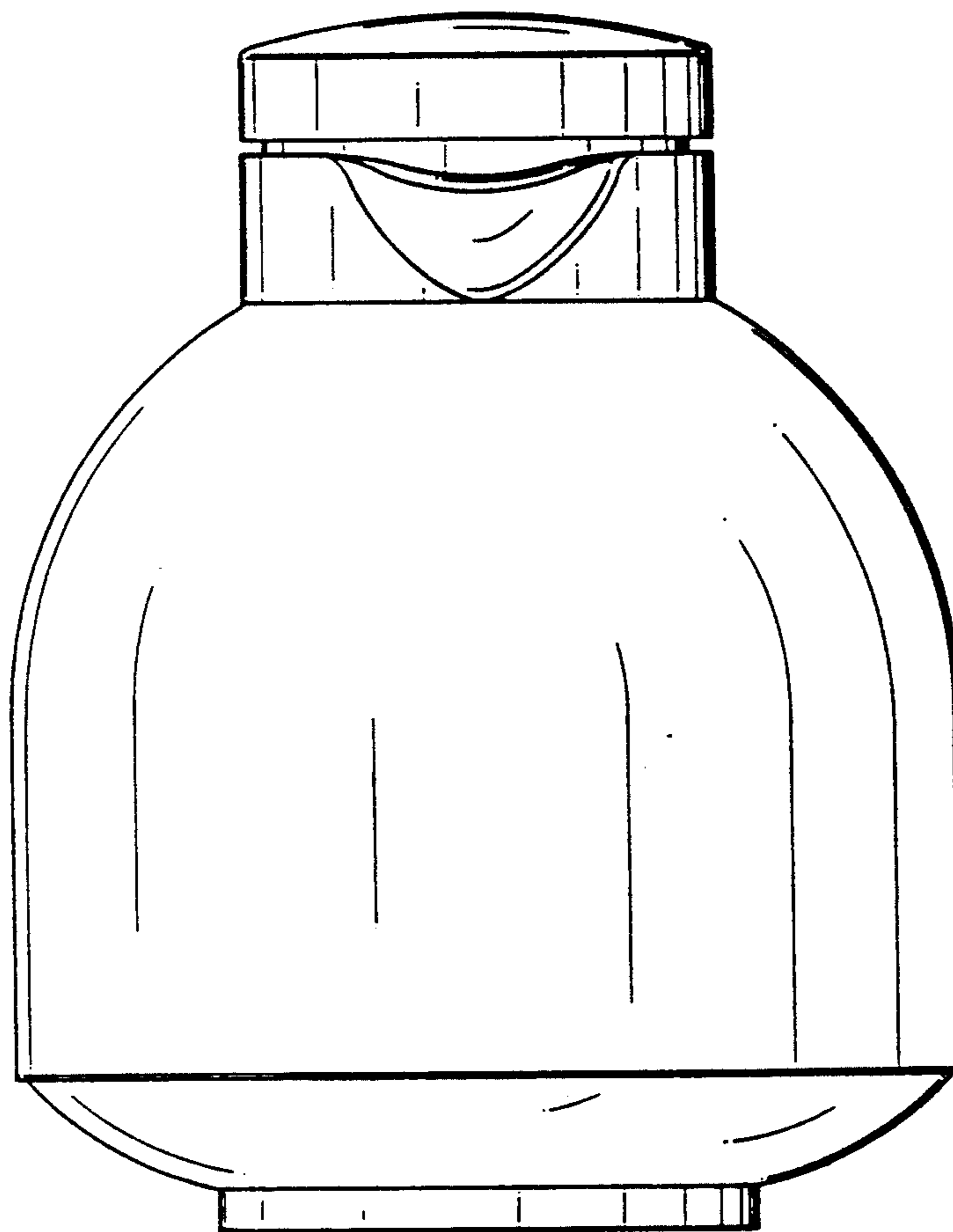


Fig. 3

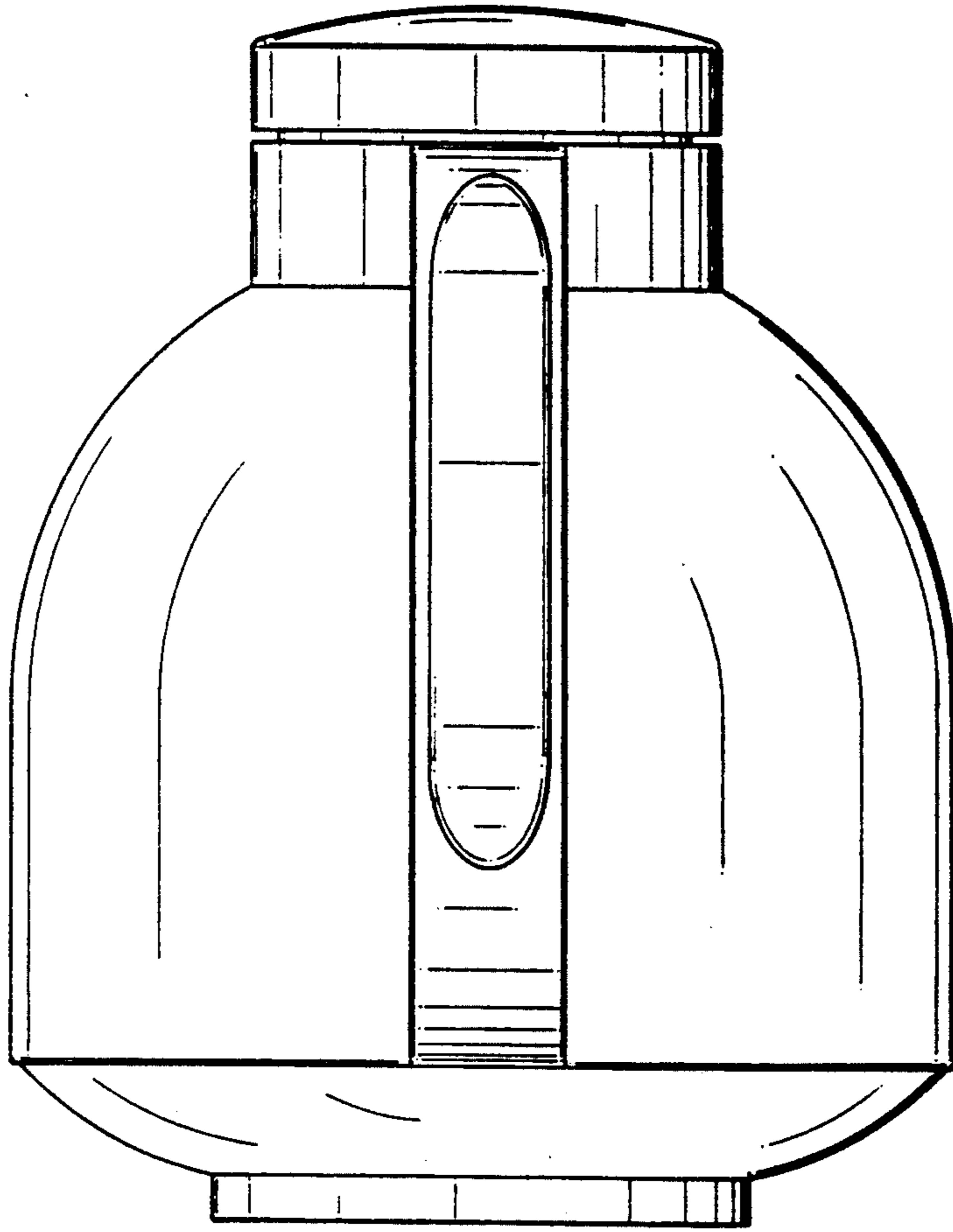


Fig. 4

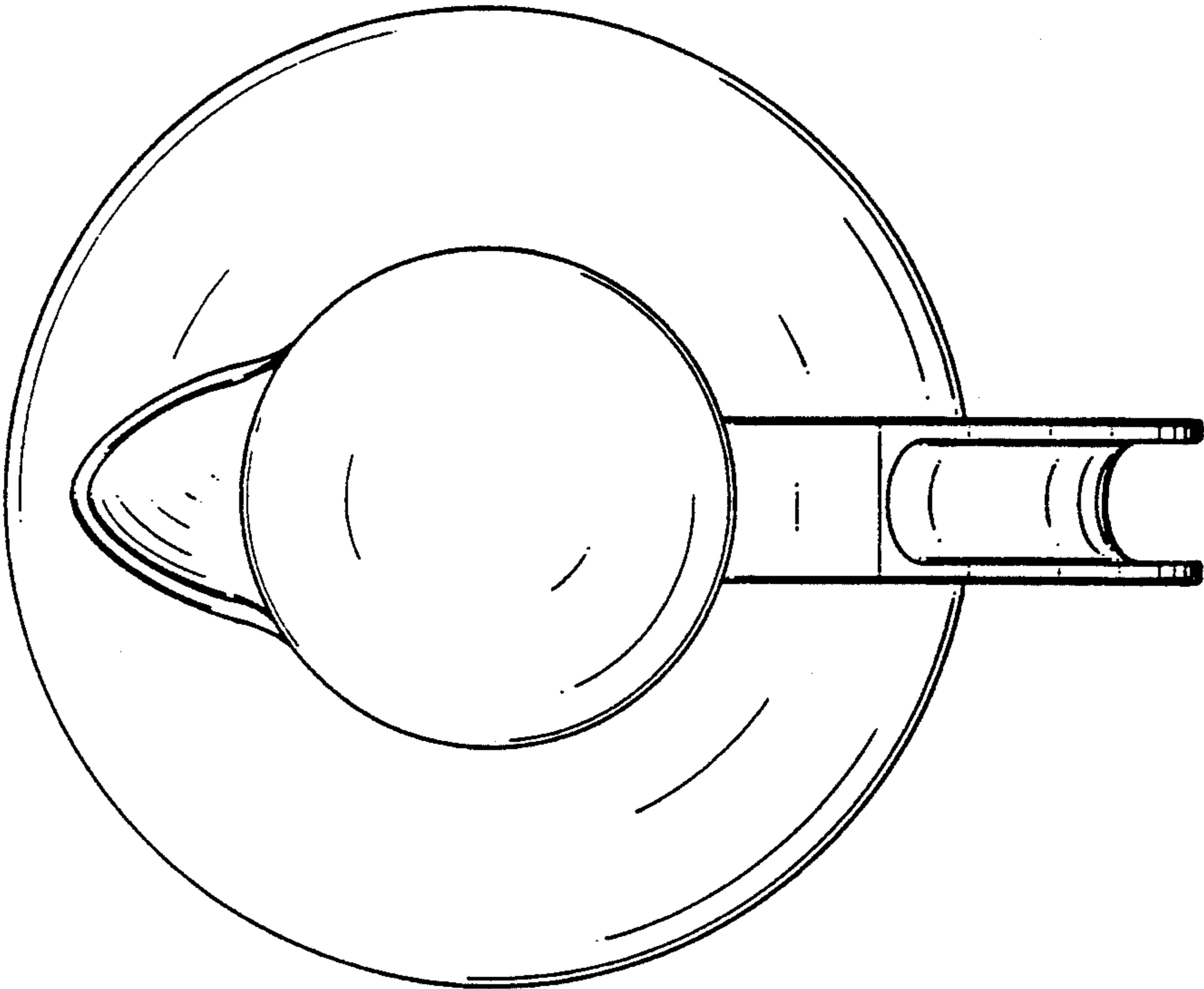


Fig. 5

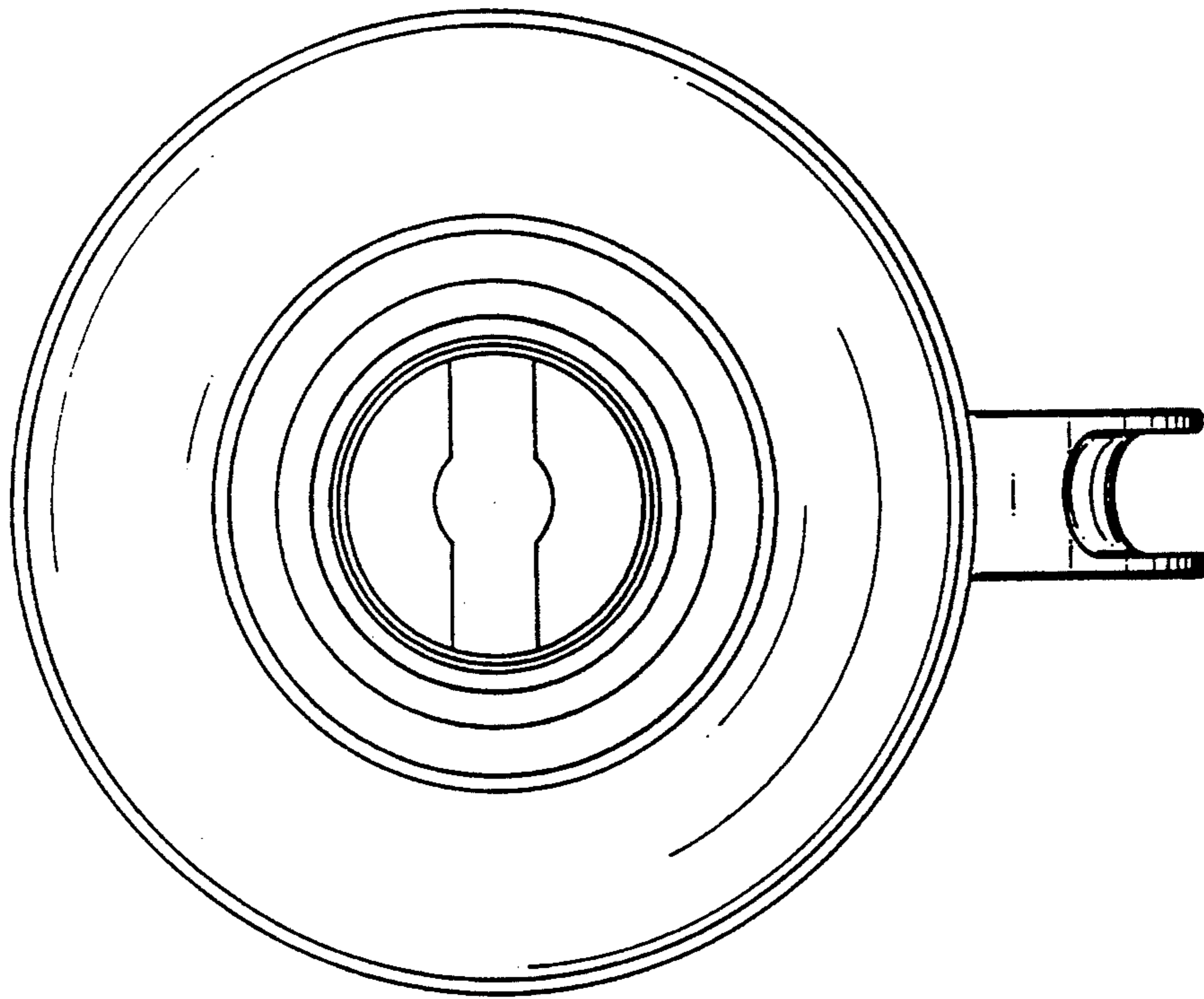


Fig. 6