



US00D337234S

United States Patent [19] McGinnis

[11] Patent Number: Des. 337,234
[45] Date of Patent: ** Jul. 13, 1993

[54] WATER BOTTLE DISPENSER
[75] Inventor: John F. McGinnis, Mound, Minn.
[73] Assignee: Pure Drinking Water Systems, Inc.,
Mound, Minn.
[**] Term: 14 Years
[21] Appl. No.: 514,562
[22] Filed: Apr. 26, 1990
[52] U.S. Cl. D7/306; D7/313
[58] Field of Search D7/313, 300, 306, 307,
D7/308, 312, 589, 315, 322, 321; 220/94 A,
755, 771, 772; D9/527, 526, 524, 523, 525, 528

2,563,141 8/1951 Vazzano .
2,751,757 6/1956 Hobbs et al. .
3,084,613 4/1963 Maxson D7/312 X
3,294,293 12/1966 Johns .
3,343,719 9/1967 Kastamo et al. .
4,236,655 12/1980 Humphries .
4,298,038 11/1981 Jennings .
4,508,236 4/1985 Keilman et al. .
4,658,975 4/1987 Cone 220/771 X
4,781,314 11/1988 Schoonover et al. .
4,834,269 5/1989 Cone 220/94 A
4,866,945 9/1989 Bender et al. .

Primary Examiner—Alan P. Douglas
Assistant Examiner—M. N. Pandozzi
Attorney, Agent, or Firm—Burd, Bartz & Gutenkauf

[56] References Cited

U.S. PATENT DOCUMENTS

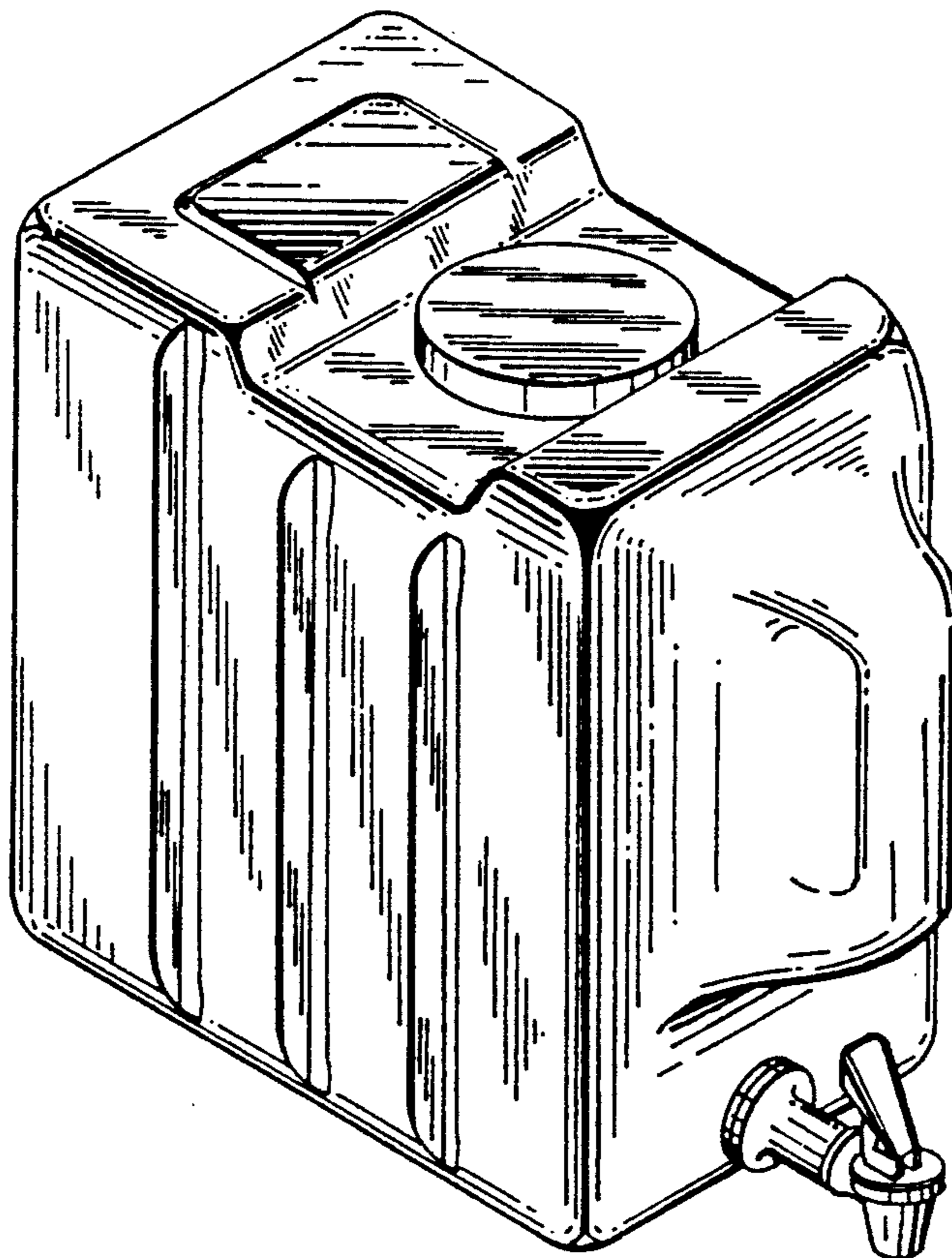
D. 101,876 11/1936 Lalinski D7/313
D. 224,639 8/1972 Schieser et al. D9/527
D. 225,101 11/1972 Marchetti D7/527
D. 248,830 8/1978 Anderson D9/523
D. 303,355 9/1989 Fick D9/528 X
D. 305,981 2/1990 Levee D9/527 X
D. 310,170 8/1990 Bartz D9/527 X
D. 324,495 5/1992 Warrington D9/528
2,052,466 8/1936 Heise et al. .
2,121,281 6/1938 Bosque .
2,274,409 2/1942 Harbison .

[57] CLAIM

The ornamental design for a water bottle dispenser, as shown and described.

DESCRIPTION

FIG. 1 is a top front, left, perspective view of a water bottle dispenser showing my new design;
FIG. 2 is a left side elevational thereof;
FIG. 3 is a top plan view thereof;
FIG. 4 is a front elevational view thereof;
FIG. 5 is a right side elevational view thereof;
FIG. 6 is a rear elevational view thereof; and,
FIG. 7 is a bottom plan view thereof.



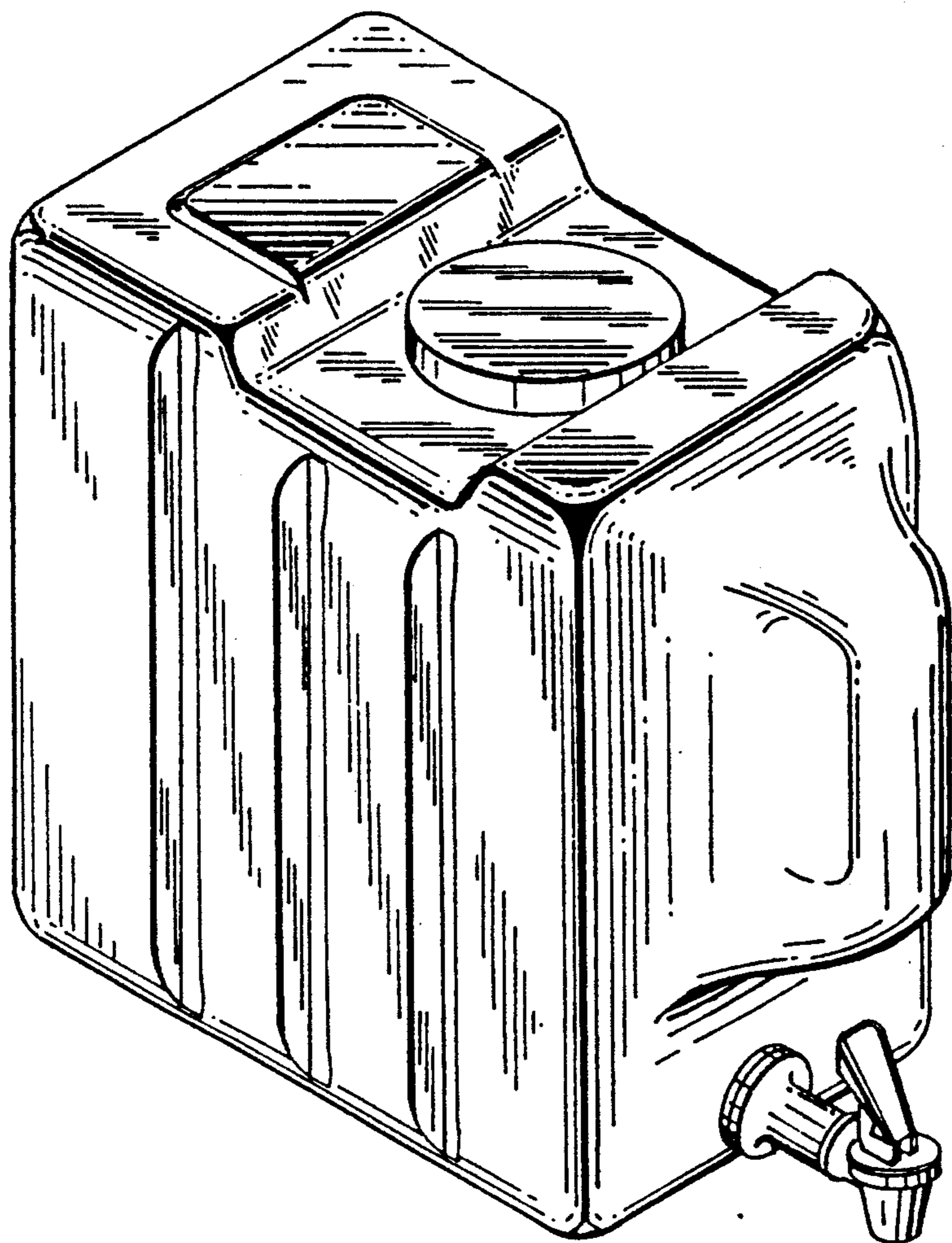


Fig. 1

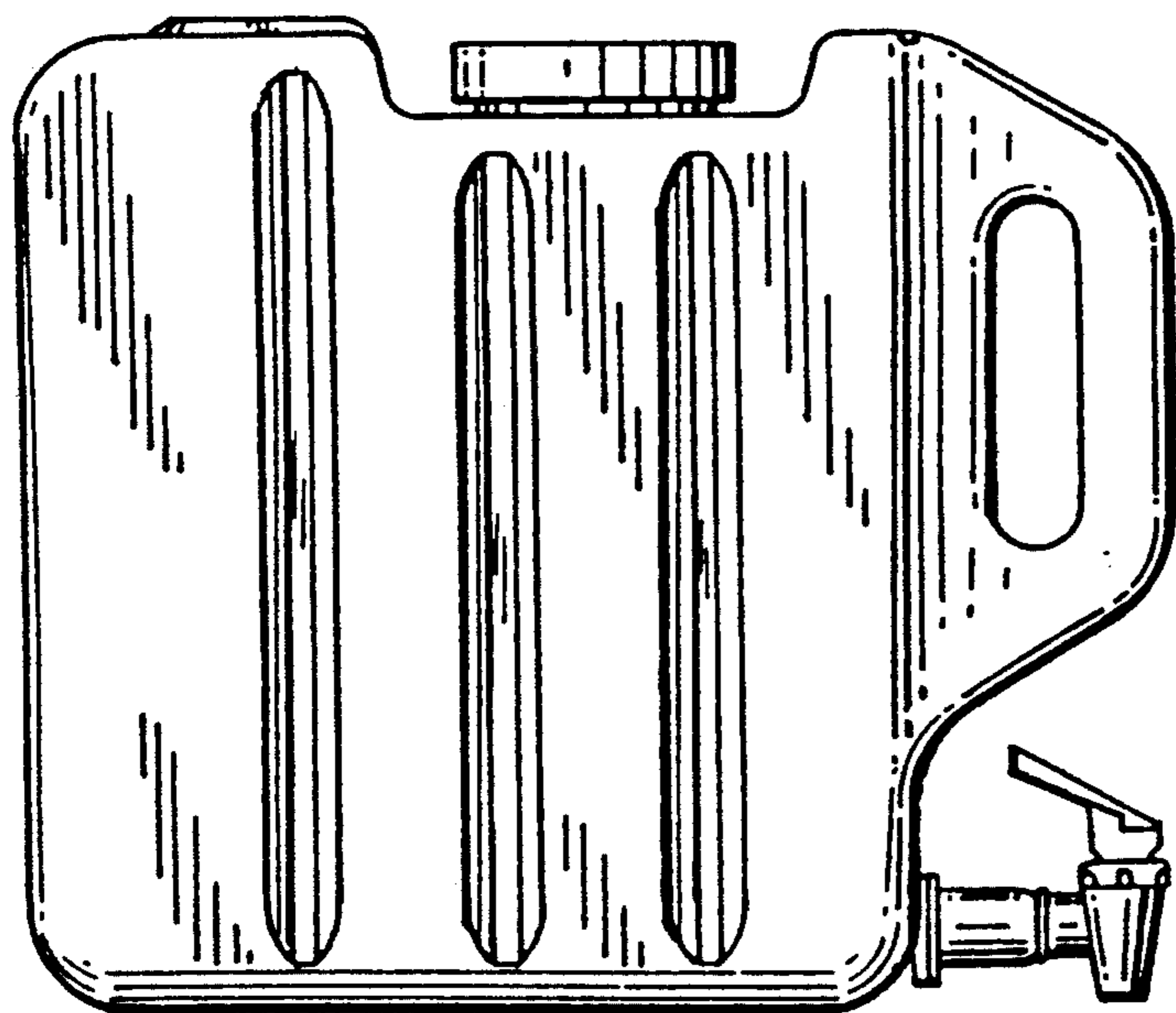


Fig. 2

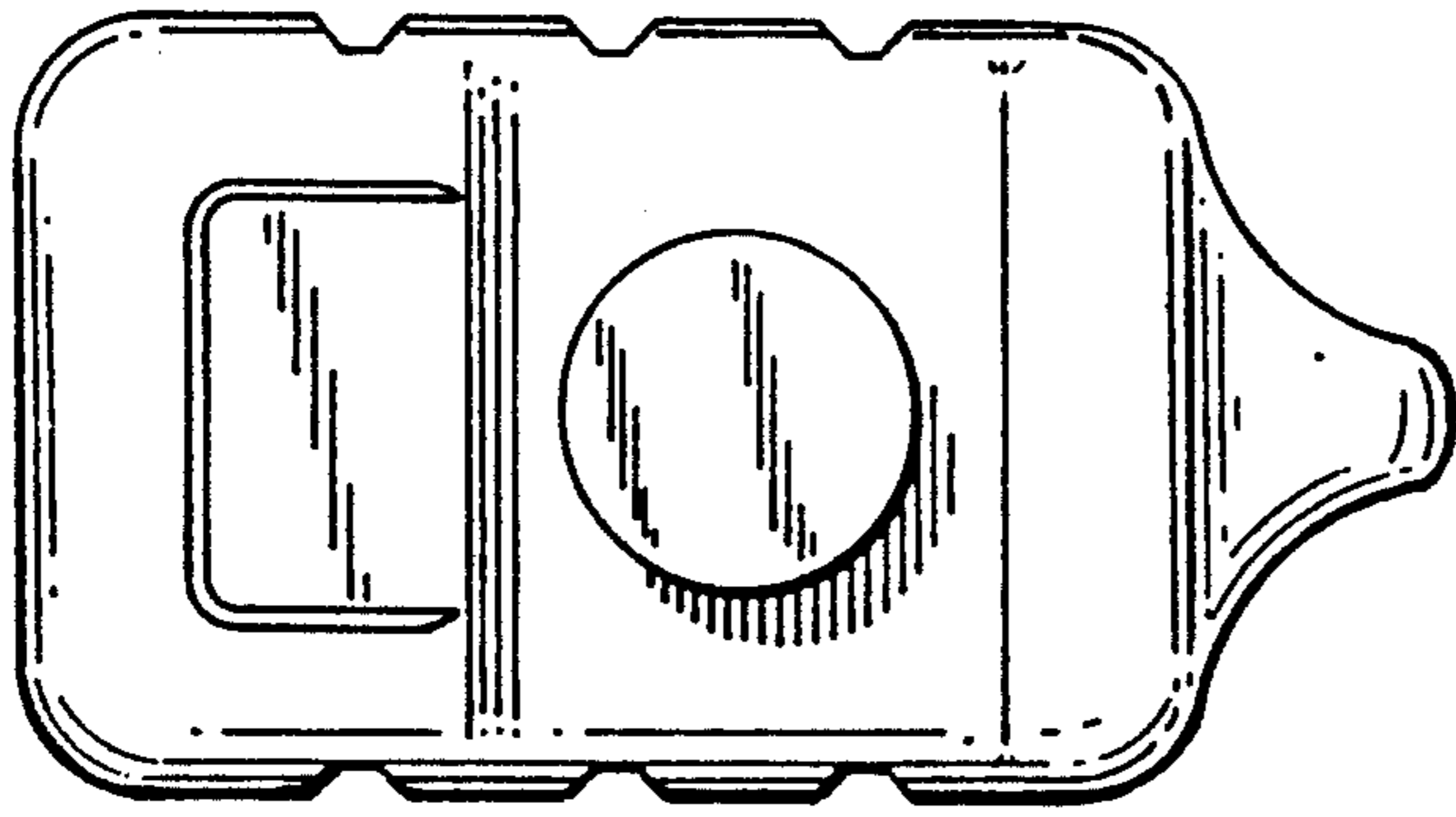


Fig. 3

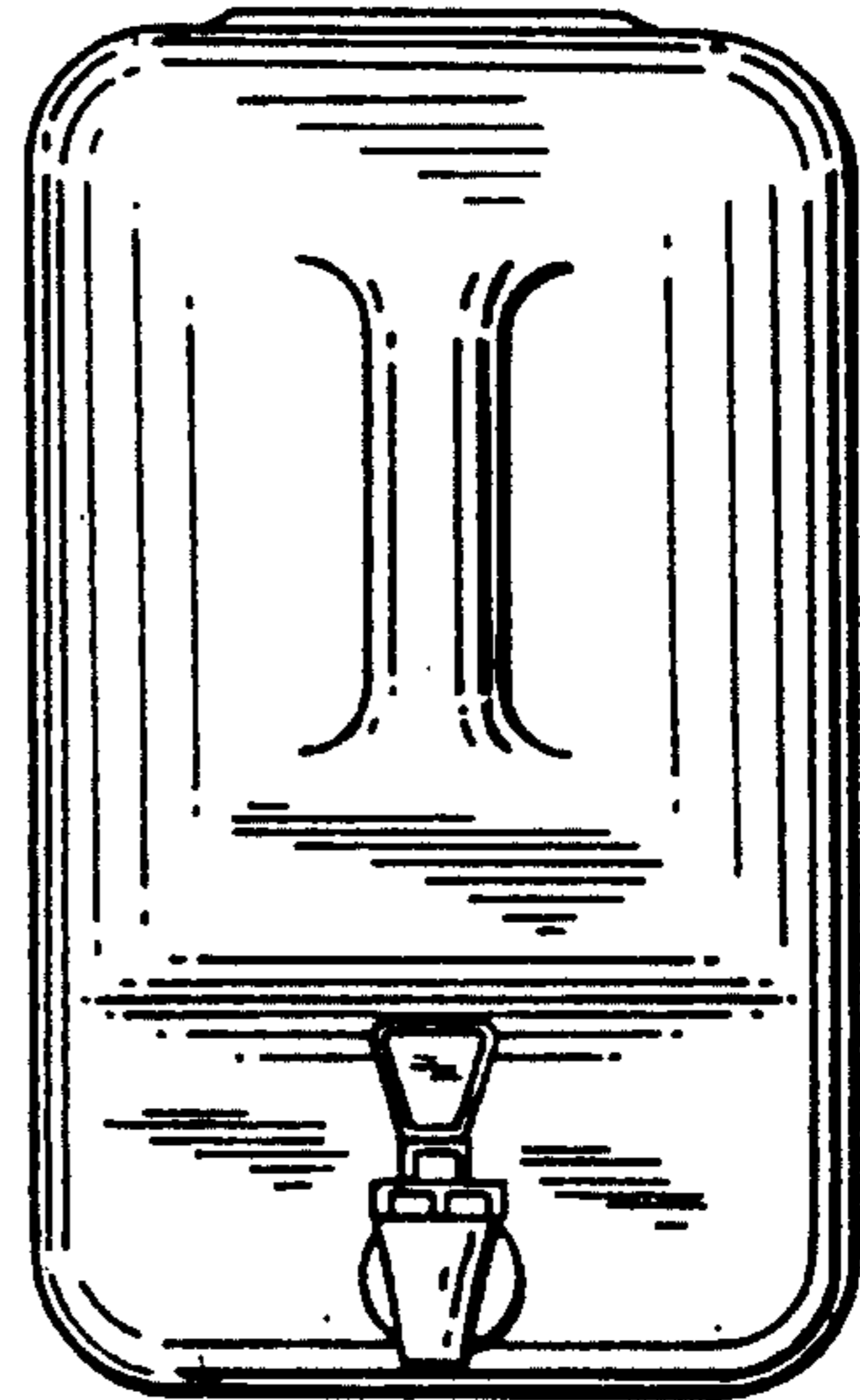


Fig. 4

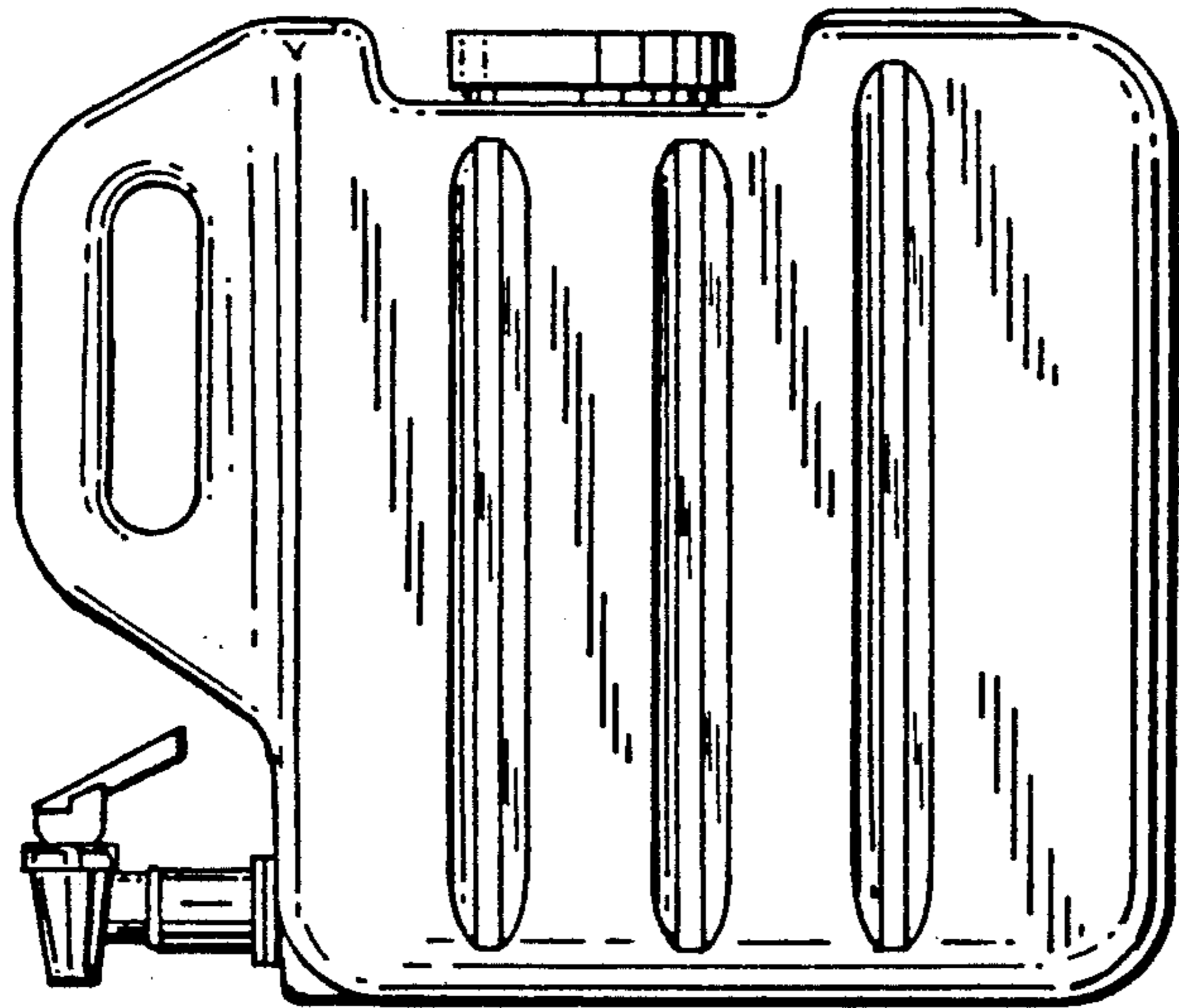


Fig. 5

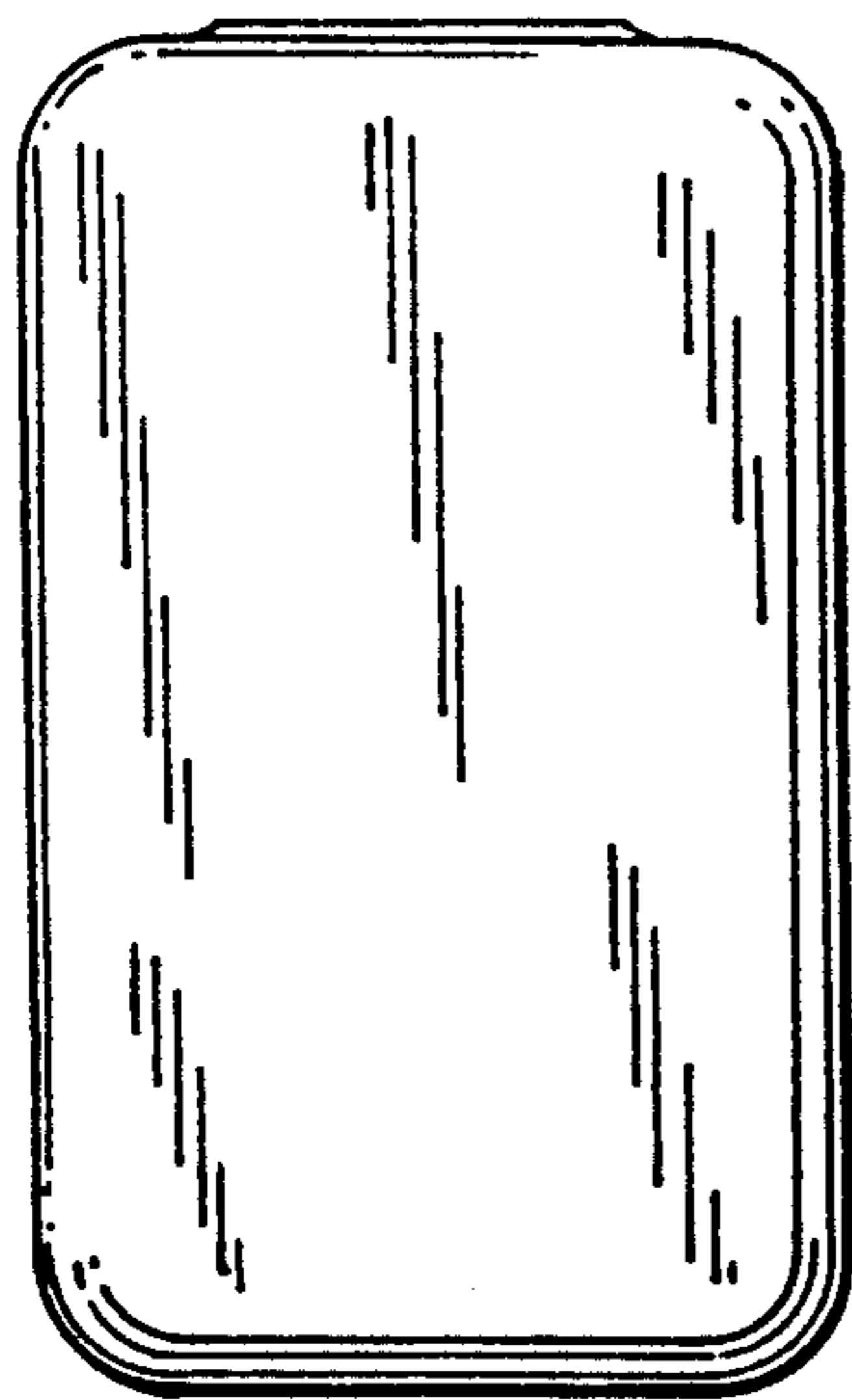


Fig. 6

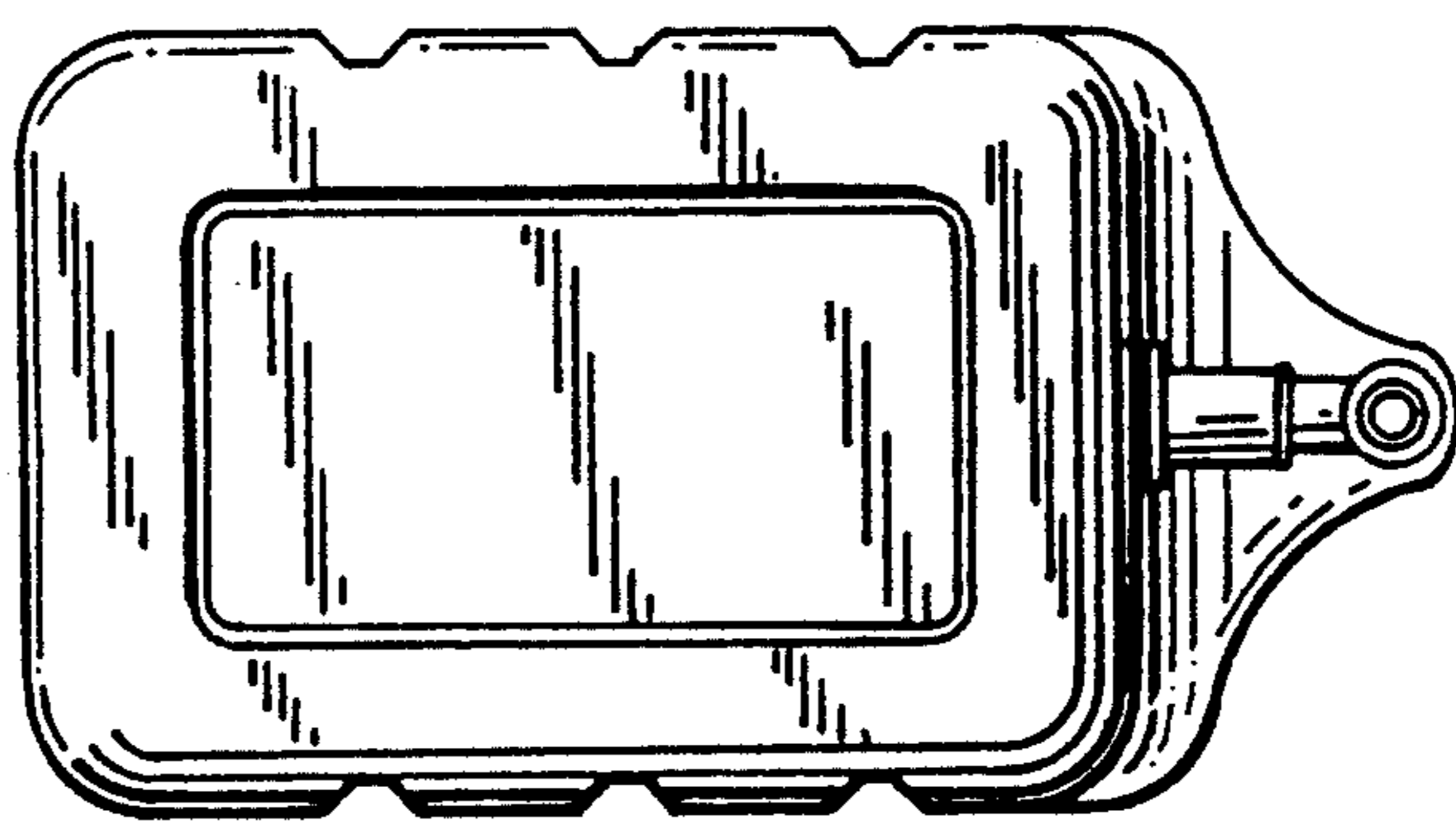


Fig. 7