



US00D337233S

# United States Patent [19] Prindle

[11] Patent Number: **Des. 337,233**

[45] Date of Patent: **\*\* Jul. 13, 1993**

[54] **KETTLE**

D. 308,315 6/1990 Ancona et al. .... D7/322

[75] Inventor: **William Prindle, Santa Barbara, Calif.**

[73] Assignee: **M. Kamenstein, Inc., White Plains, N.Y.**

[\*\*] Term: **14 Years**

[21] Appl. No.: **806,139**

[22] Filed: **Dec. 16, 1991**

[52] U.S. Cl. .... **D7/302; D7/301**

[58] Field of Search ..... **D7/322, 300, 301, 302, D7/303, 312, 316, 317, 318, 321; 222/465.1, 470, 472, 475; 99/306**

[56] **References Cited**

### U.S. PATENT DOCUMENTS

41,095	1/1864	Ripley .....	222/465.1
D. 147,541	9/1947	Falk .....	D7/302
D. 165,271	11/1951	DeMarsa .....	D7/302
D. 253,573	12/1979	Edwards .....	D7/303

### OTHER PUBLICATIONS

Good Morning Tea Kettle, Gifts and Decorative Accessories, Jan. 1988.

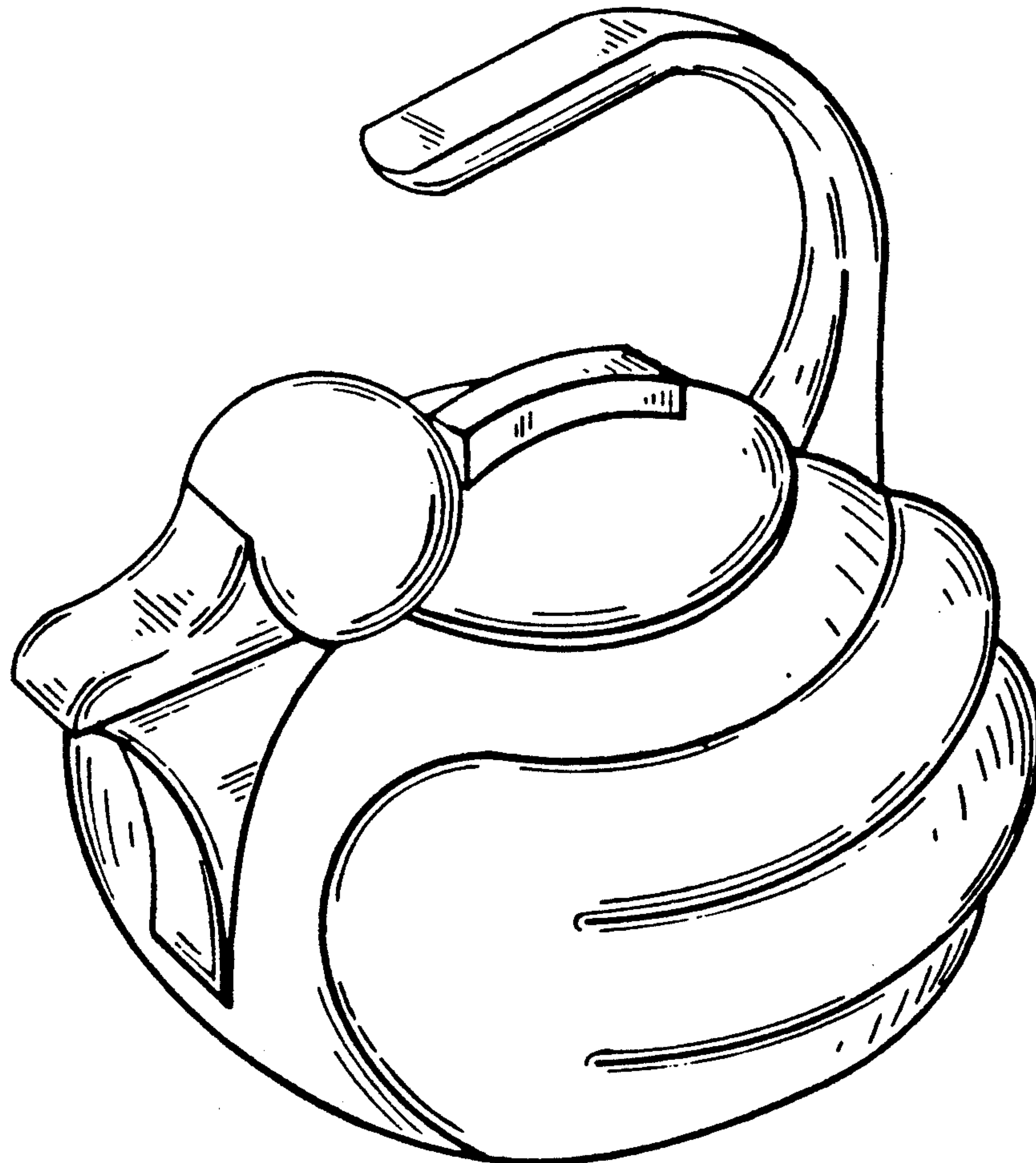
*Primary Examiner*—Alan P. Douglas  
*Assistant Examiner*—M. N. Pandozzi  
*Attorney, Agent, or Firm*—James A. Drobile; Robert A. Koons; Robert Rosenthal

### [57] CLAIM

The ornamental design for a kettle, as shown and described.

### DESCRIPTION

FIG. 1 is a perspective view of a kettle showing my new design;  
FIG. 2 is a front elevational view thereof;  
FIG. 3 is a rear elevational view thereof;  
FIG. 4 is a top plan view thereof;  
FIG. 5 is a bottom plan view thereof; and,  
FIG. 6 is a right side elevational view, the left side elevational view being a mirror image thereof.



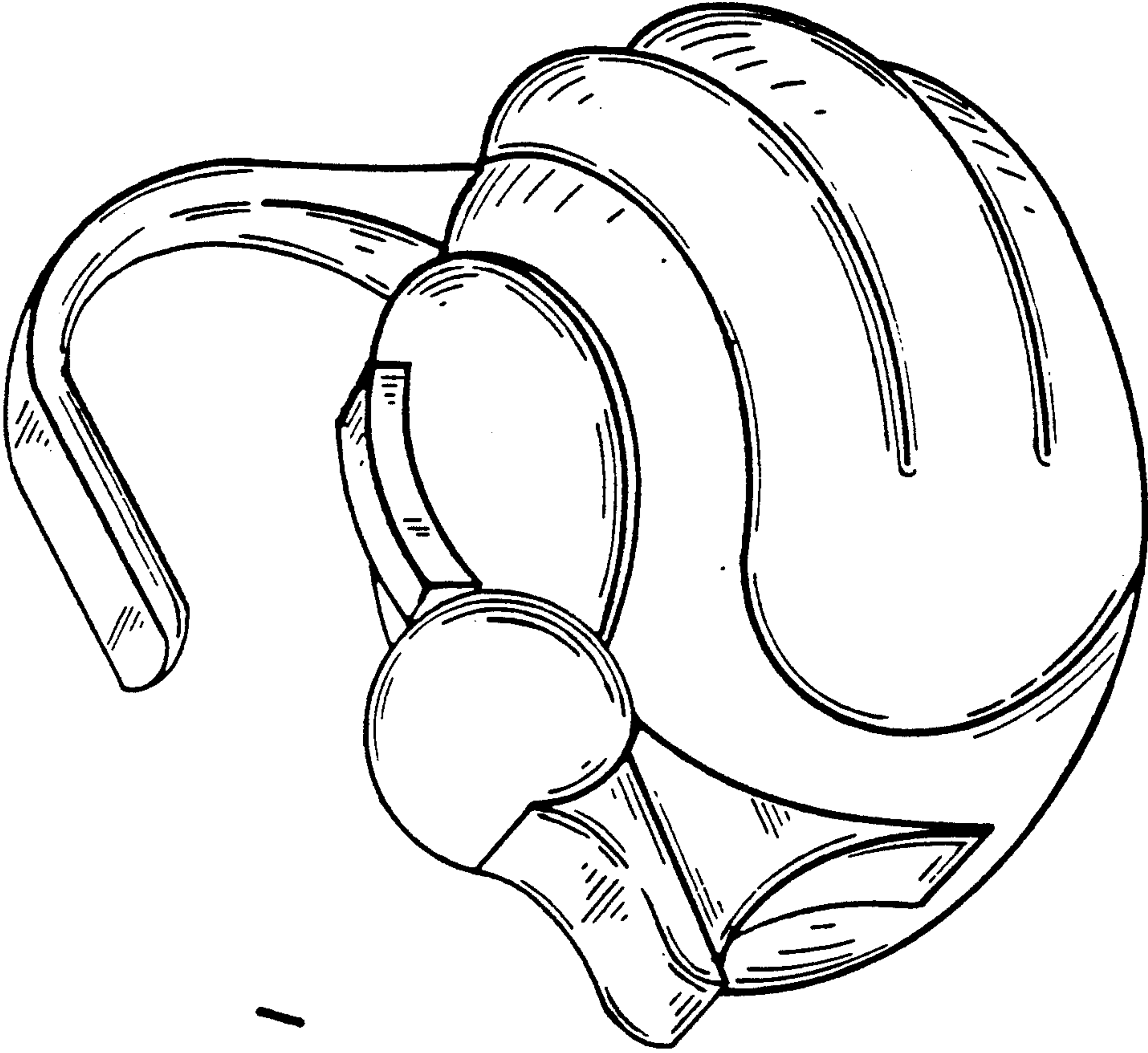


FIG. 1

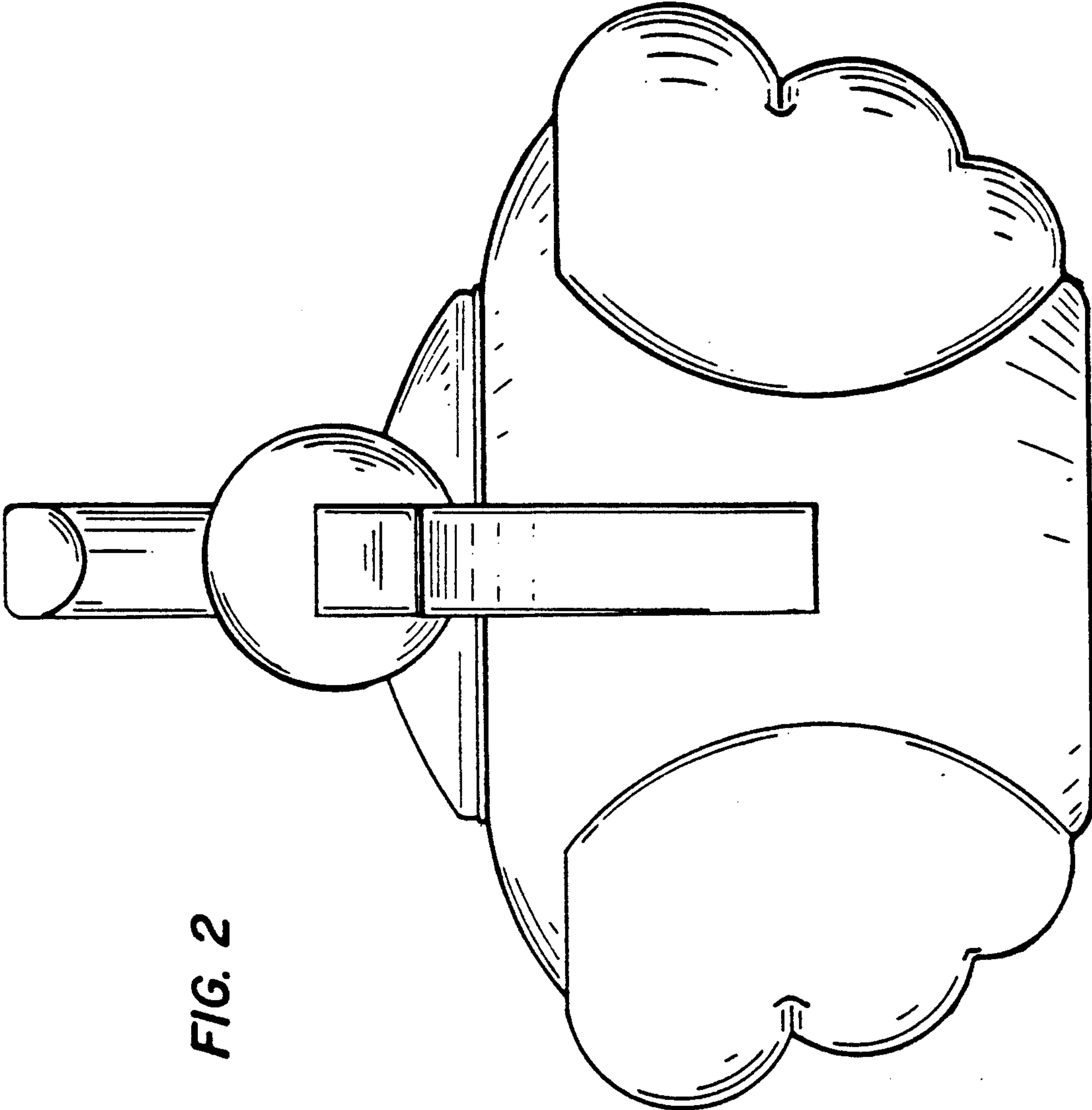


FIG. 2

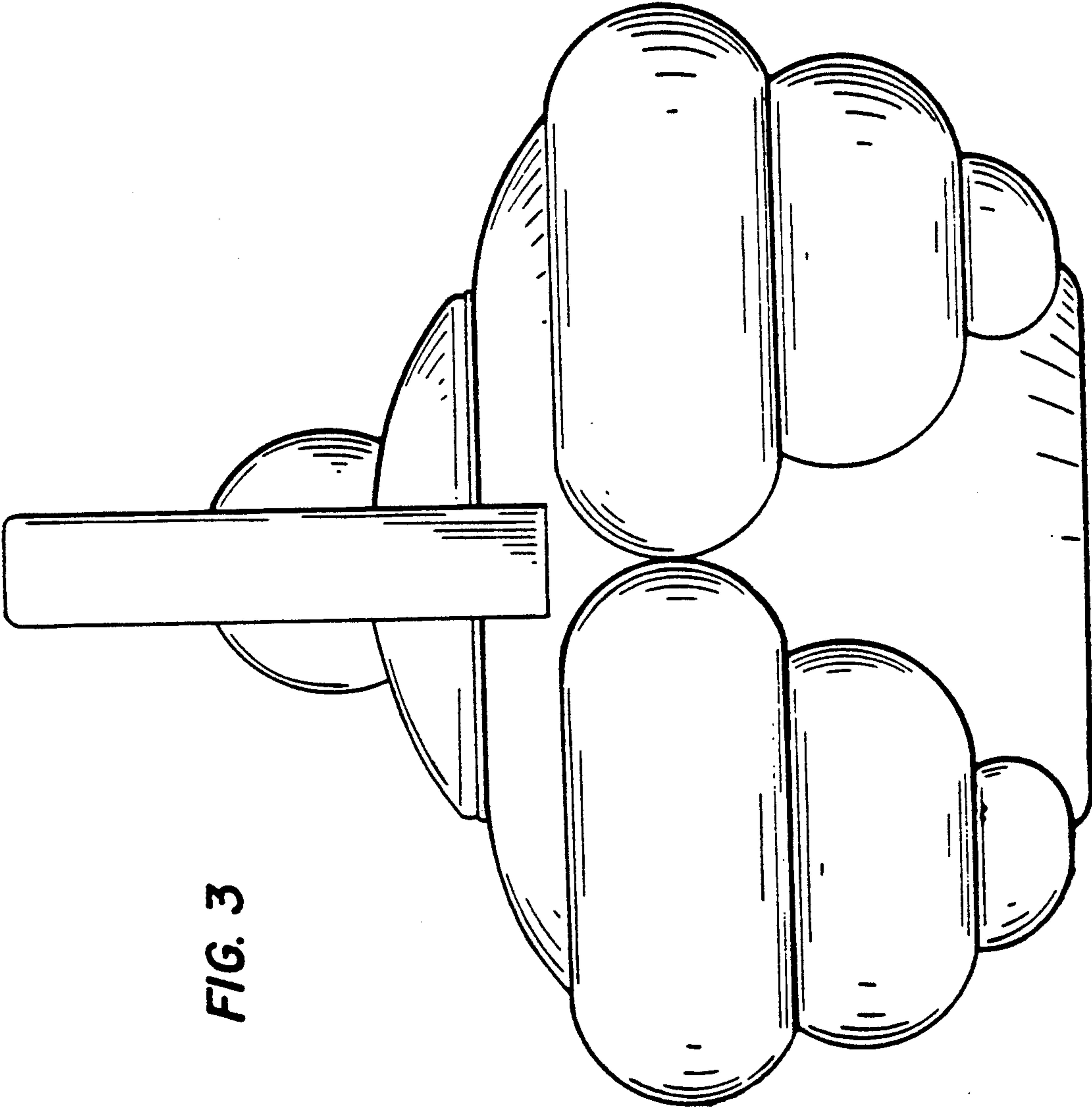


FIG. 3

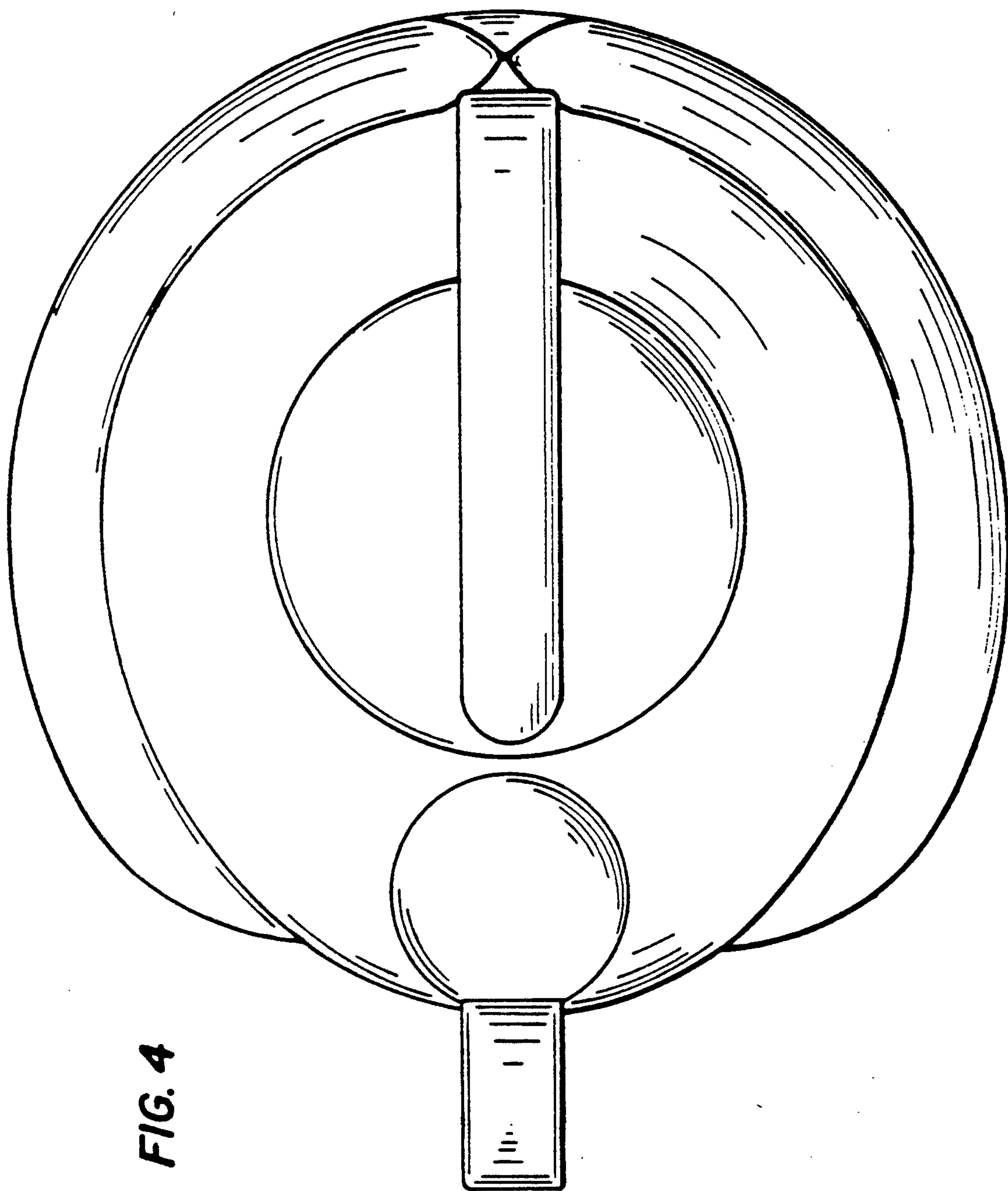
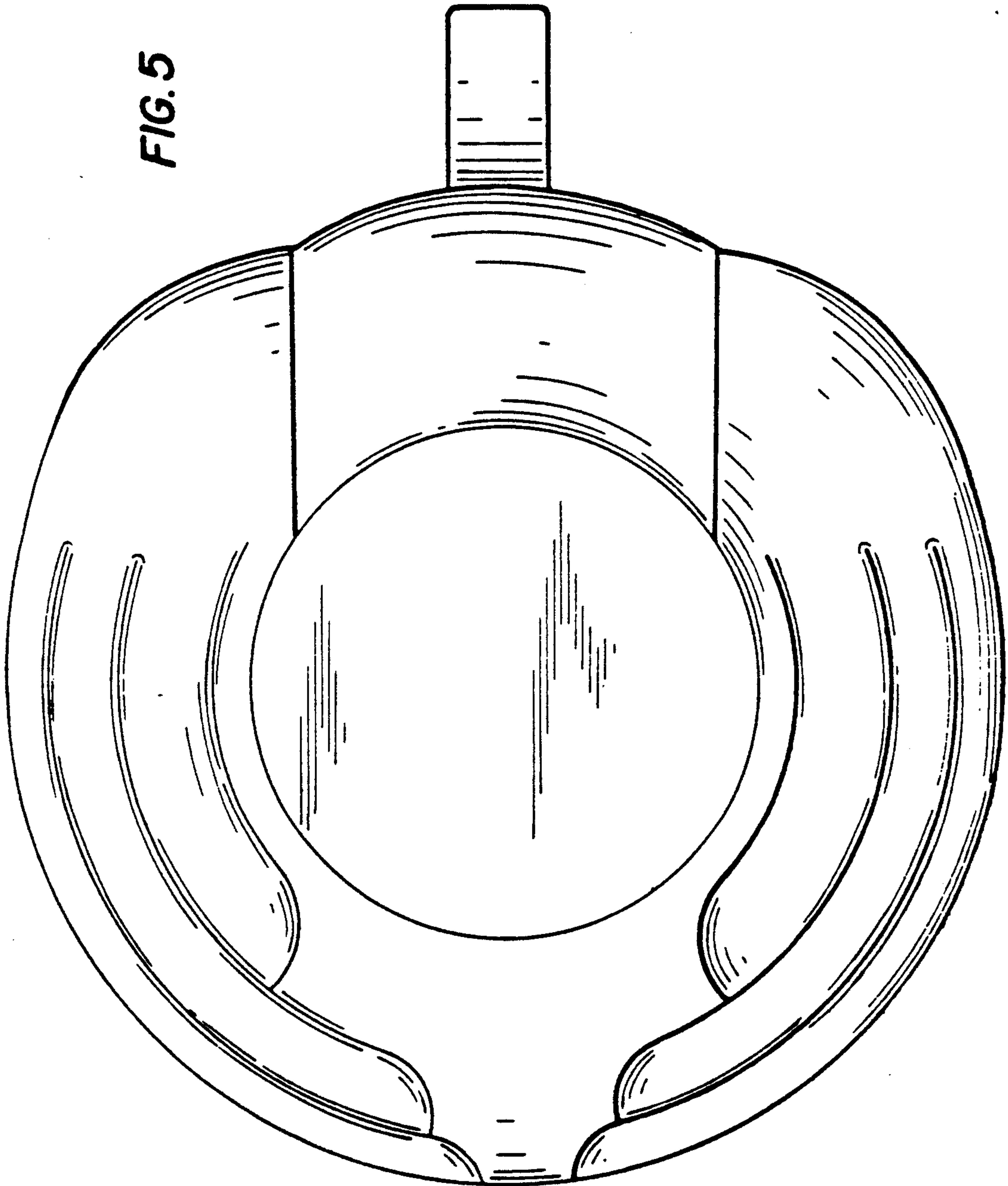


FIG. 4



FIG. 5



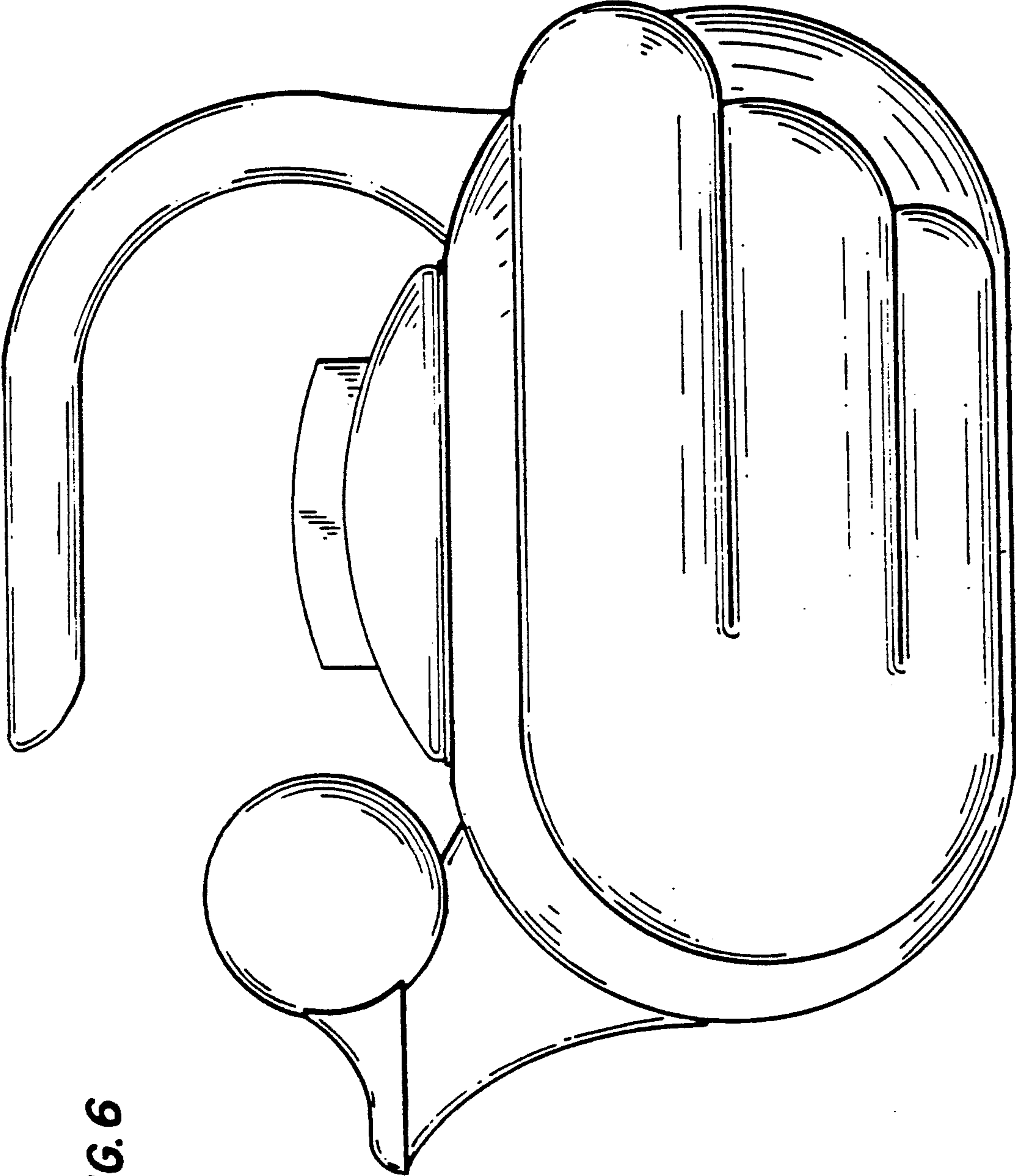


FIG. 6