



US00D337229S

# United States Patent [19]

[11] Patent Number: Des. 337,229

Giugiaro

[45] Date of Patent: \*\* Jul. 13, 1993

[54] SOAP DISPENSER

[75] Inventor: Giorgetto Giugiaro, Turin, Italy

[73] Assignee: Molnlycke AB, Goteborg, Sweden

[\*\*] Term: 14 Years

[21] Appl. No.: 776,469

[22] Filed: Oct. 15, 1991

[30] Foreign Application Priority Data

Apr. 15, 1991 [SE] Sweden ..... 91-848

[52] U.S. Cl. .... D6/545

[58] Field of Search ..... D6/524, 542-545;  
222/105, 129, 173, 180-181, 185; 221/282-283

[56] References Cited

### U.S. PATENT DOCUMENTS

D. 267,136	12/1982	Banks	.....	D6/545
D. 280,167	8/1985	Keck	.....	D6/545
D. 310,924	10/1990	Breger	.....	D6/545
D. 322,377	12/1991	Feuder	.....	D6/545
4,146,156	3/1979	Cassia	.	
4,164,306	8/1979	Perrin	.	

Primary Examiner—Brian N. Vinson

[57] CLAIM

The ornamental design for a soap dispenser, as shown and described.

### DESCRIPTION

FIG. 1 is a bottom, front, and left side perspective view of a soap dispenser showing my new design;

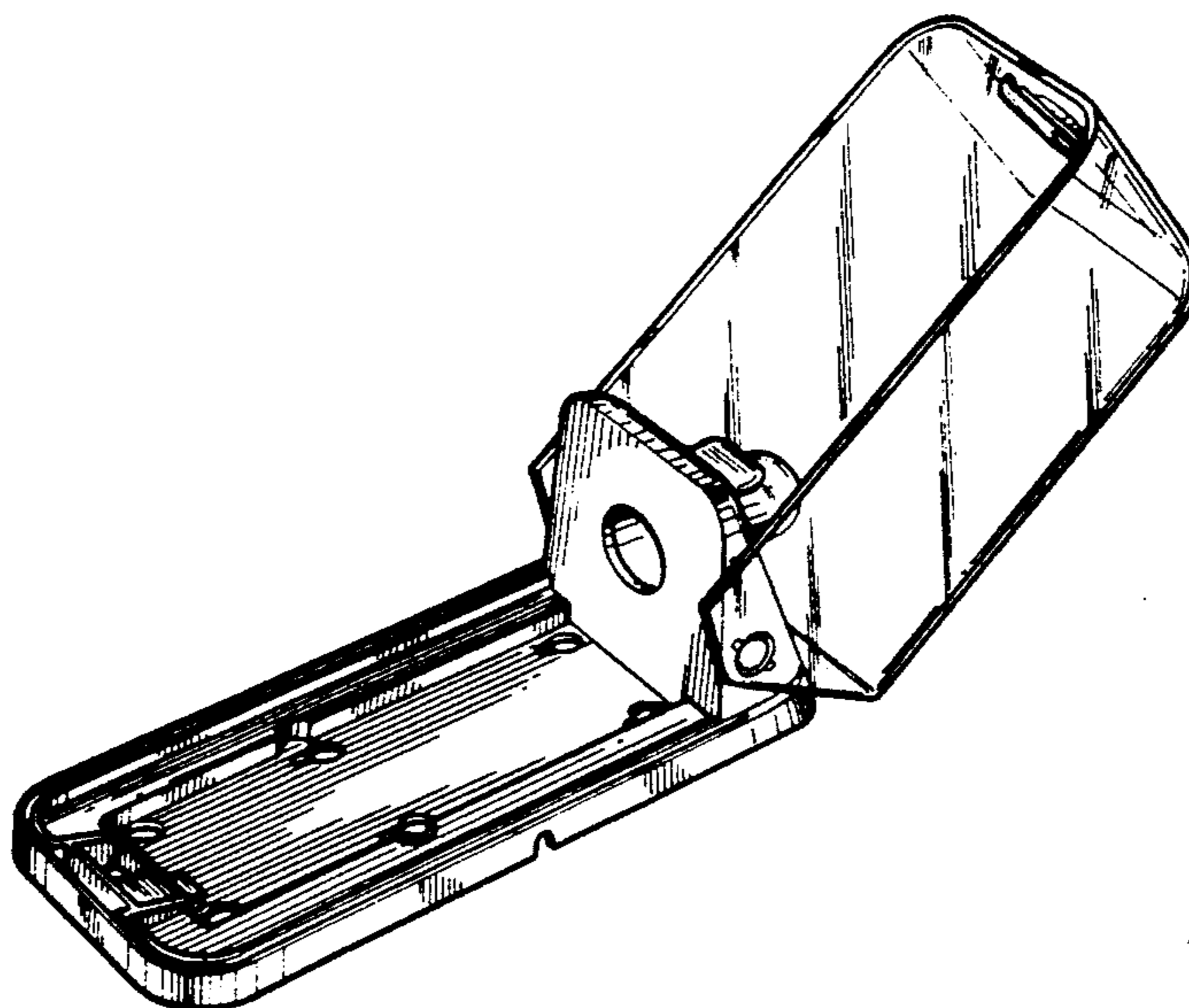
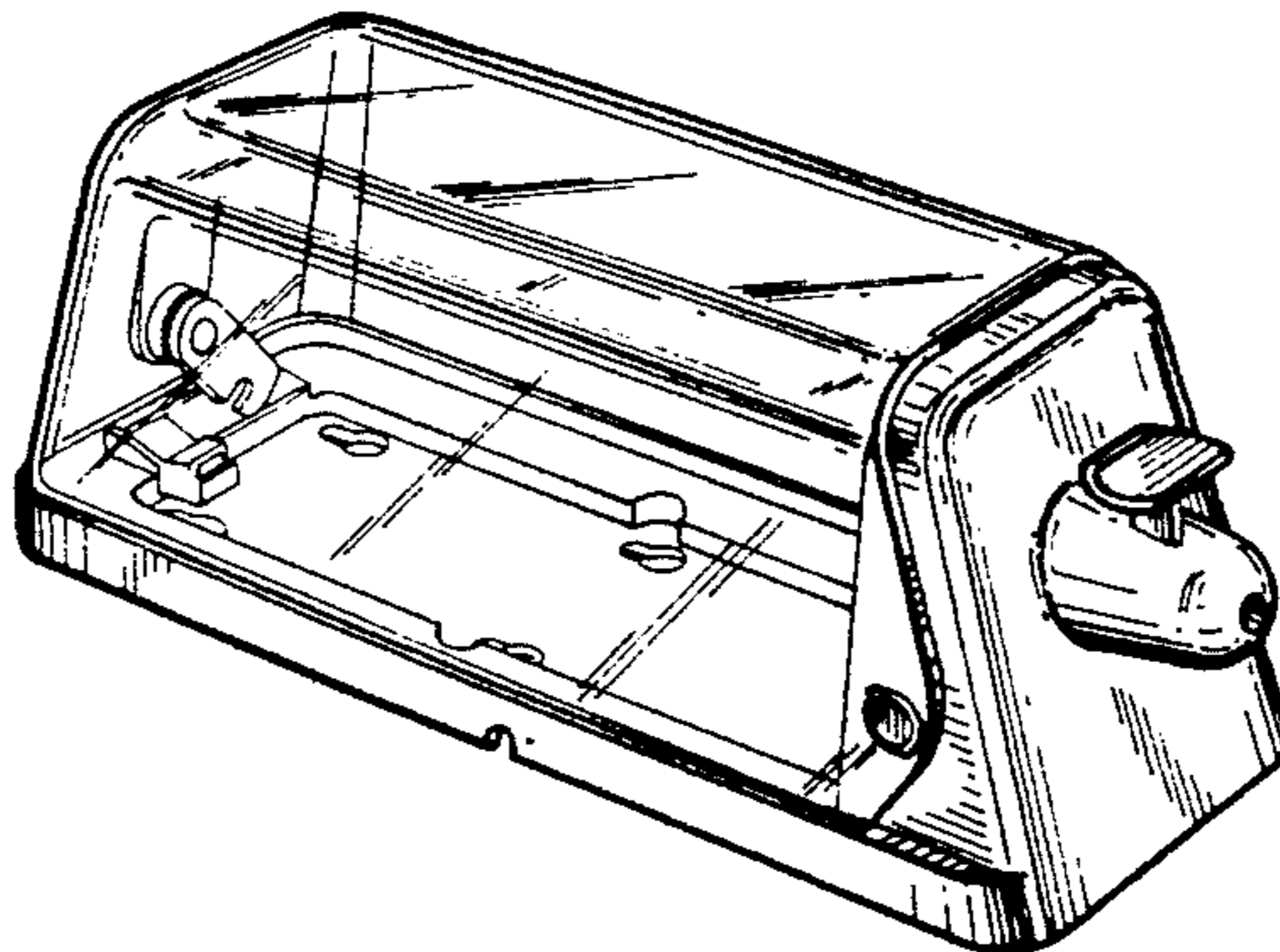
FIG. 2 is a top, front, and right side perspective view thereof;

FIG. 3 is a top, front, and left side perspective view thereof, with the casing being shown pivoted to an open position;

FIG. 4 is a bottom, front, and right side perspective view of the wall-mounting plate portion thereof, with the casing omitted for clarity of illustration;

FIG. 5 is a top, rear, and right side perspective view of the wall-mounting portion thereof, with the casing omitted for clarity of illustration; and,

FIG. 6 is a bottom, front, and left side perspective view of the casing portion thereof, with the wall-mounting portion omitted for clarity of illustration.



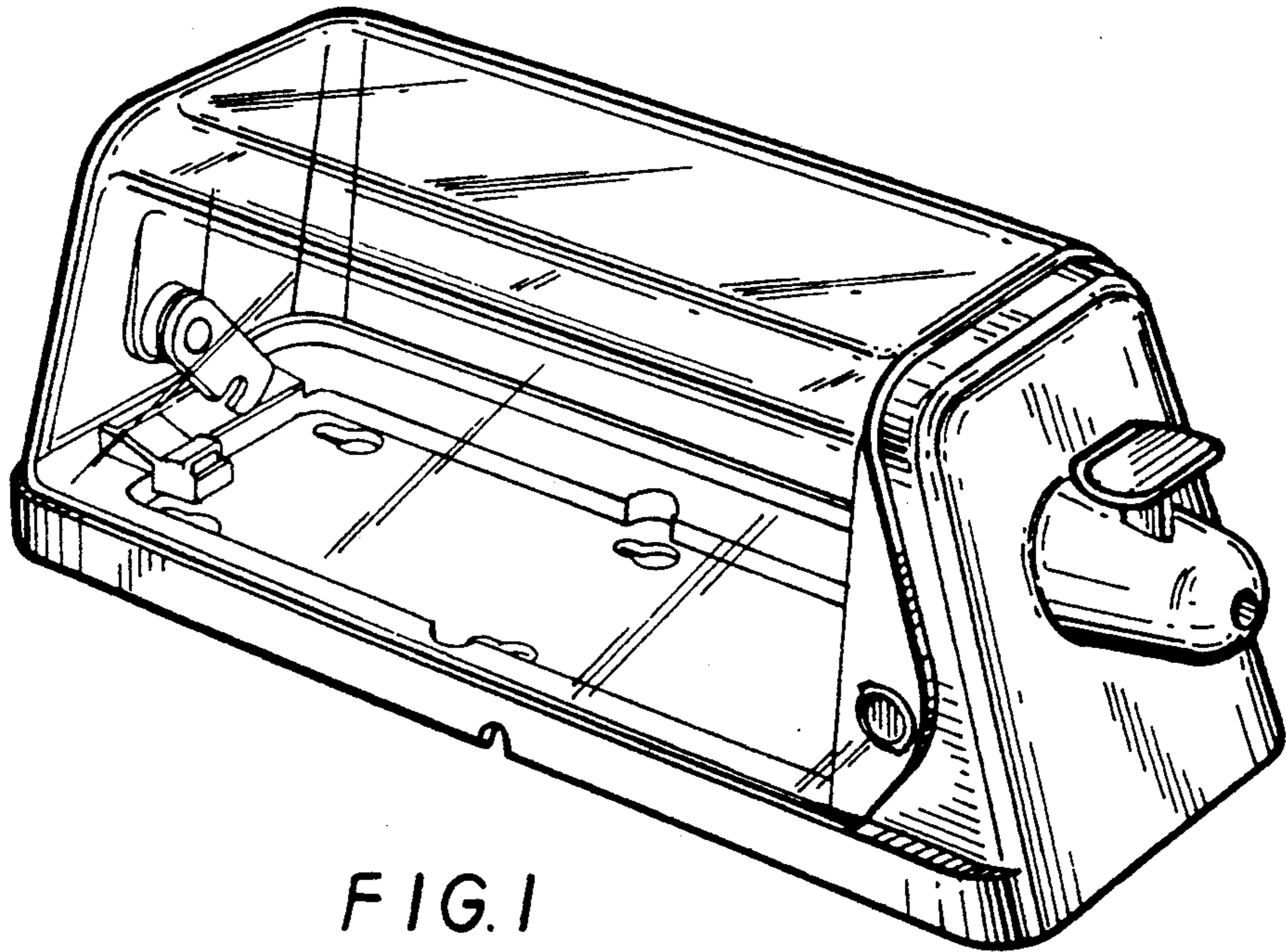


FIG. 1

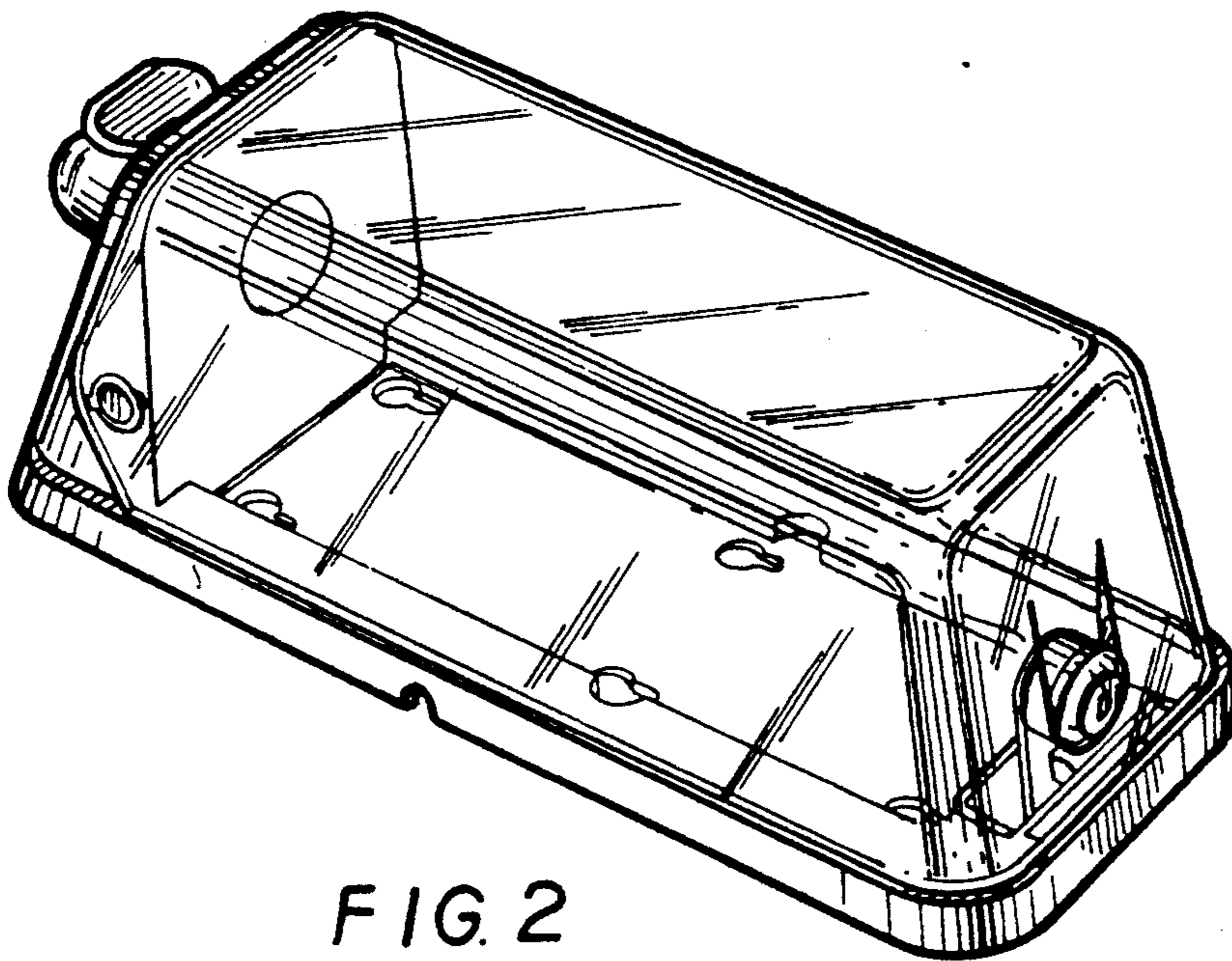


FIG. 2

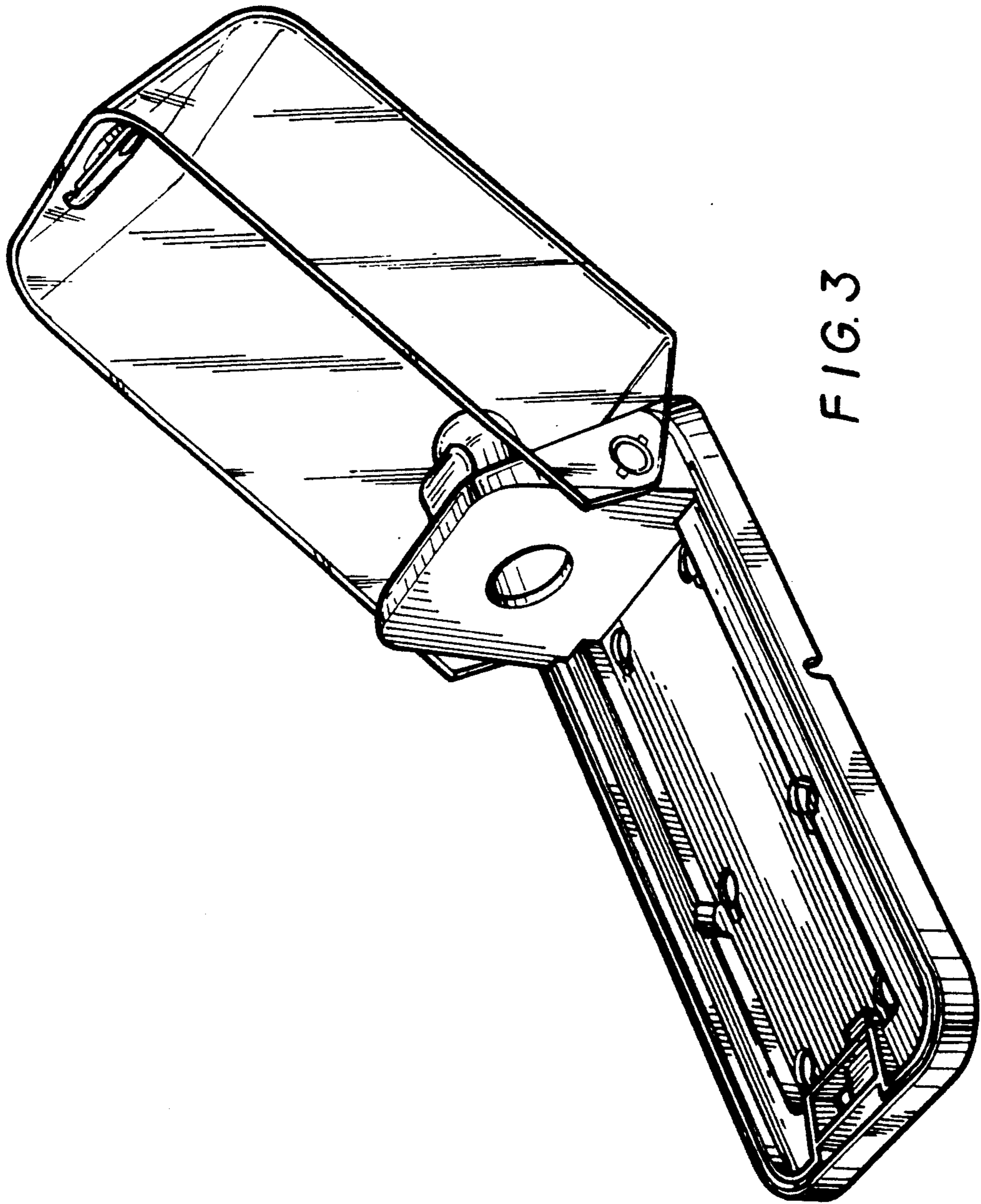


FIG. 3

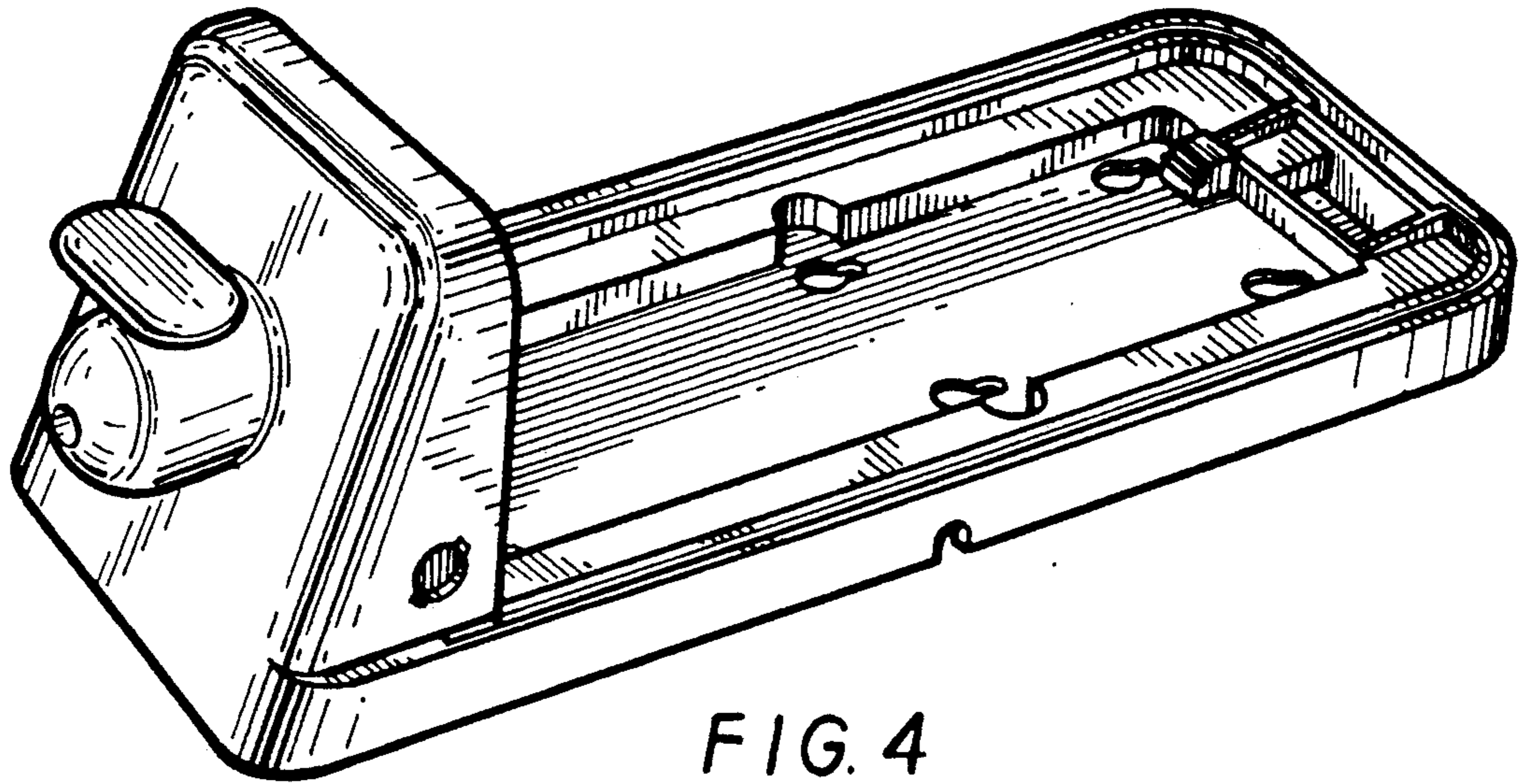


FIG. 4

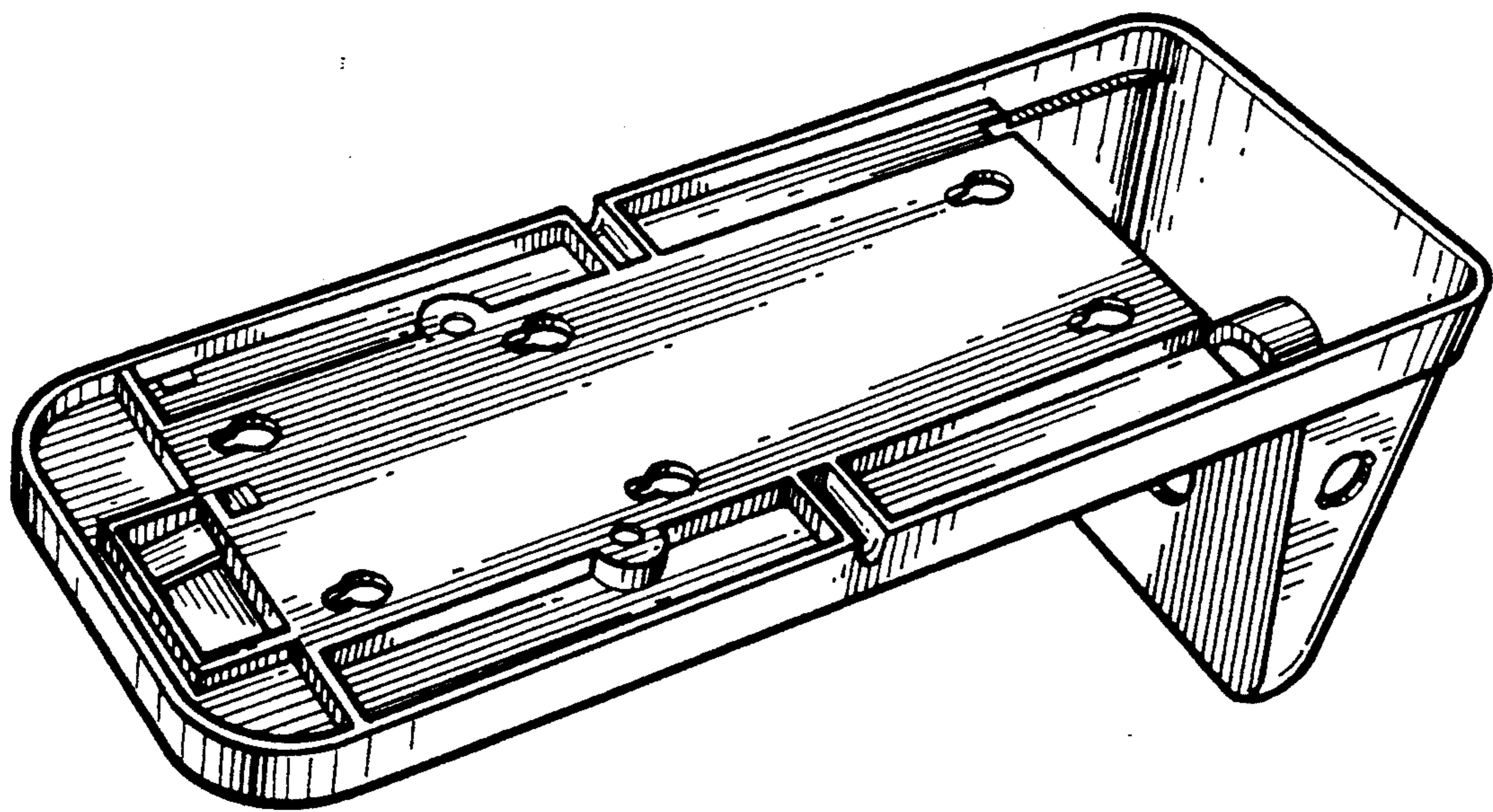


FIG. 5

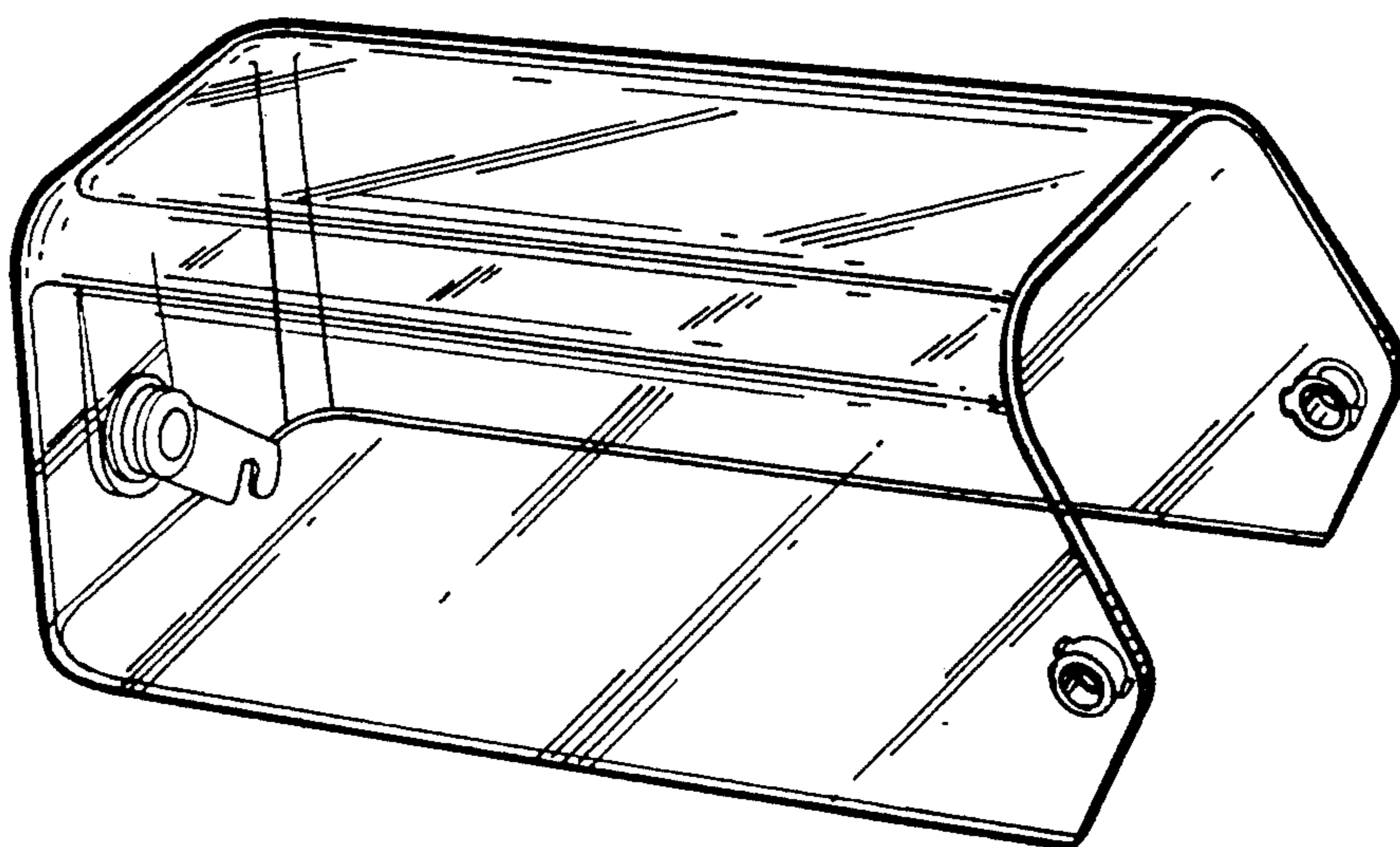


FIG. 6