



US00D337227S

United States Patent [19] Giugiaro

[11] Patent Number: **Des. 337,227**

[45] Date of Patent: **** Jul. 13, 1993**

[54] PAPER DISPENSER

[75] Inventor: **Giorgetto Giugiaro, Turin, Italy**

[73] Assignee: **Molnlycke AB, Goteborg, Sweden**

[**] Term: **14 Years**

[21] Appl. No.: **776,470**

[22] Filed: **Oct. 15, 1991**

[30] **Foreign Application Priority Data**

Apr. 15, 1991 [SE]	Sweden	91-849
[52] U.S. Cl.		D6/518
[58] Field of Search	D6/518-523;	
	206/233, 554, 820; 211/49.1, 50; 221/22, 33, 45,	
	282; 248/905	

[56] **References Cited**

U.S. PATENT DOCUMENTS

D. 56,730	12/1920	Teau	D6/522 X
D. 123,462	11/1940	Pollock	D6/518
D. 167,890	10/1952	Hallward	D6/518
D. 316,200	4/1991	Dawson	D6/518
3,232,478	2/1966	Thamasma et al.	221/33
4,191,307	3/1980	LeCaire, Jr. et al.	221/45

4,706,844	11/1987	Omdoll et al.	D6/518 X
5,037,000	8/1991	Selame	221/303

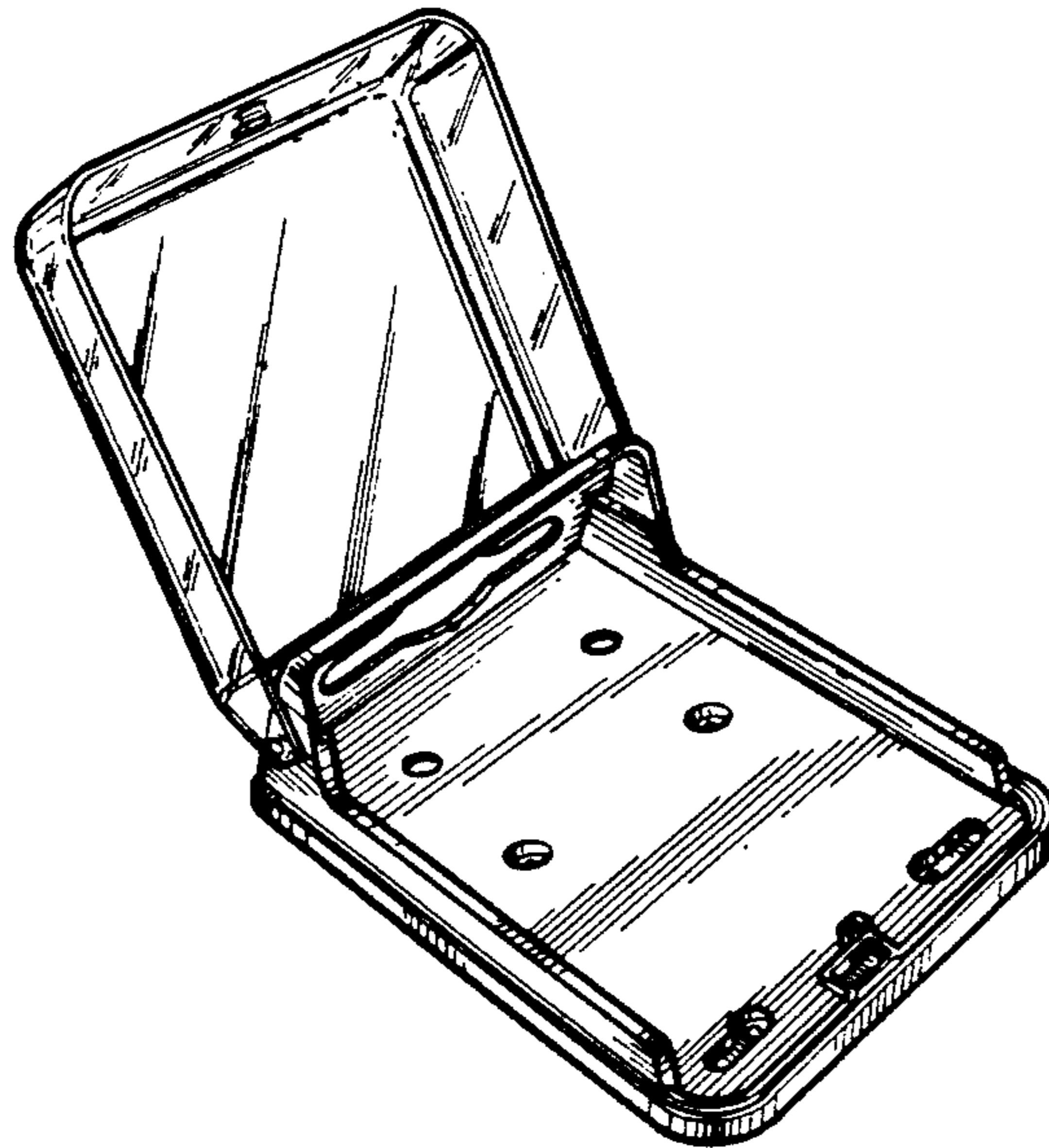
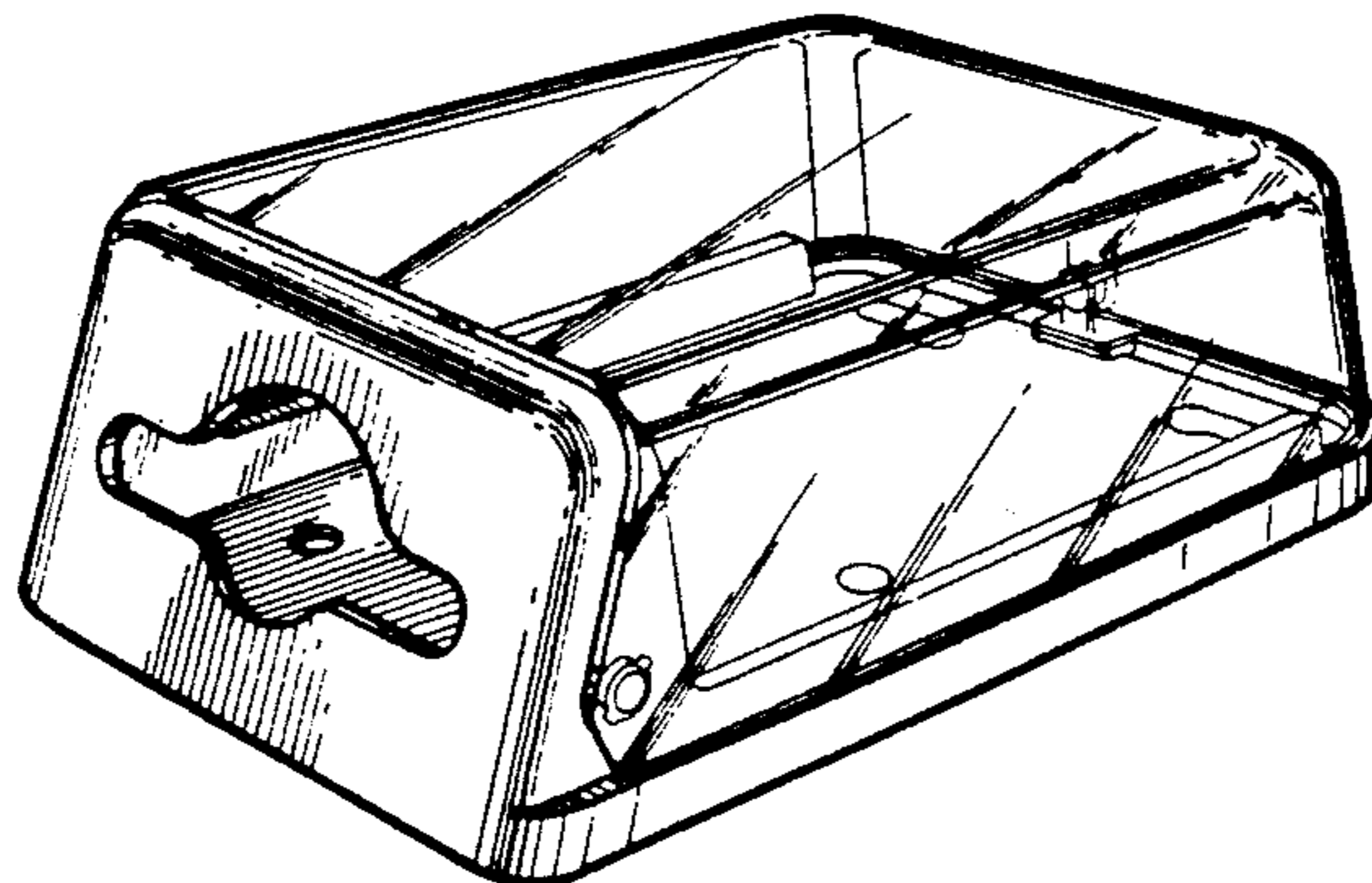
Primary Examiner—Brian N. Vinson

[57] **CLAIM**

The ornamental design for a paper dispenser, as shown and described.

DESCRIPTION

FIG. 1 is a bottom, front, and right side perspective view of a paper dispenser showing my new design; FIG. 2 is a top, front and left side perspective view thereof; FIG. 3 is a top, front and right side perspective view thereof, with the casing being shown pivoted to an open position; FIG. 4 is a top, front, and left side perspective view of the wall-mounting plate portion thereof, with the casing omitted for clarity of illustration; FIG. 5 is a top, rear, and right side perspective view of the wall-mounting portion thereof, with the casing omitted for clarity of illustration; and, FIG. 6 is a bottom, front, and left side perspective view of the casing portion thereof, with the wall-mounting portion omitted for clarity of illustration.



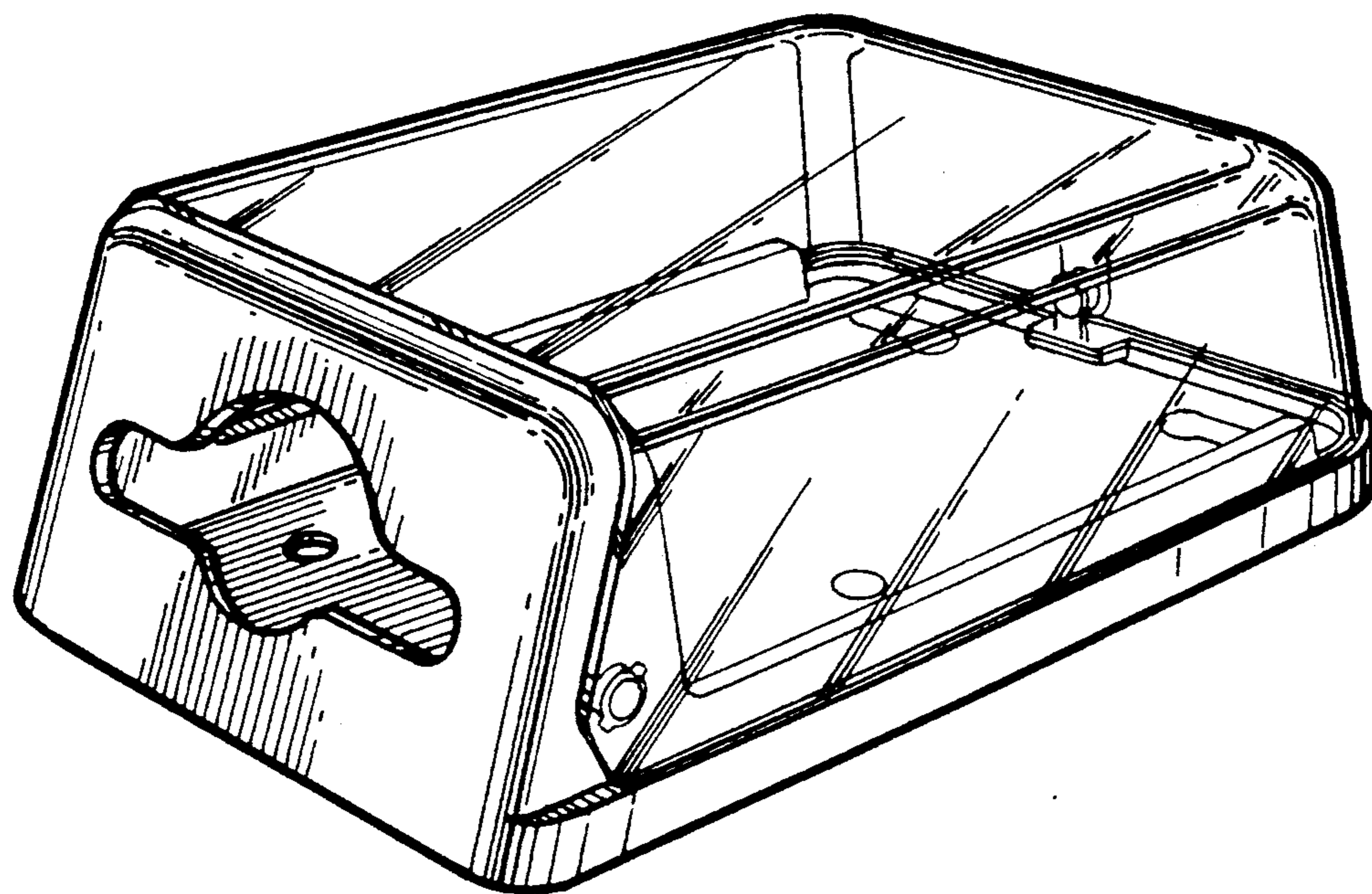


FIG. 1

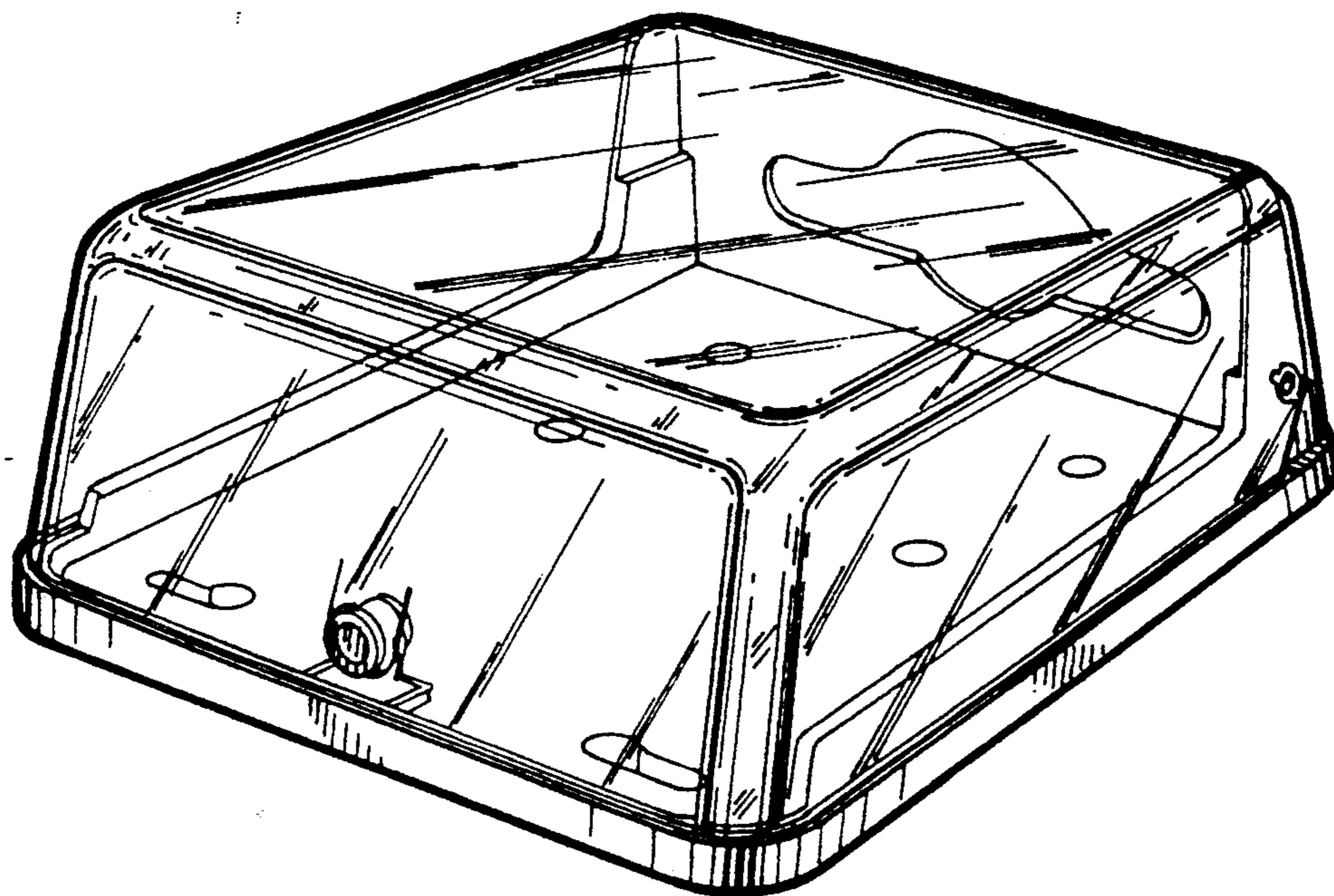


FIG. 2

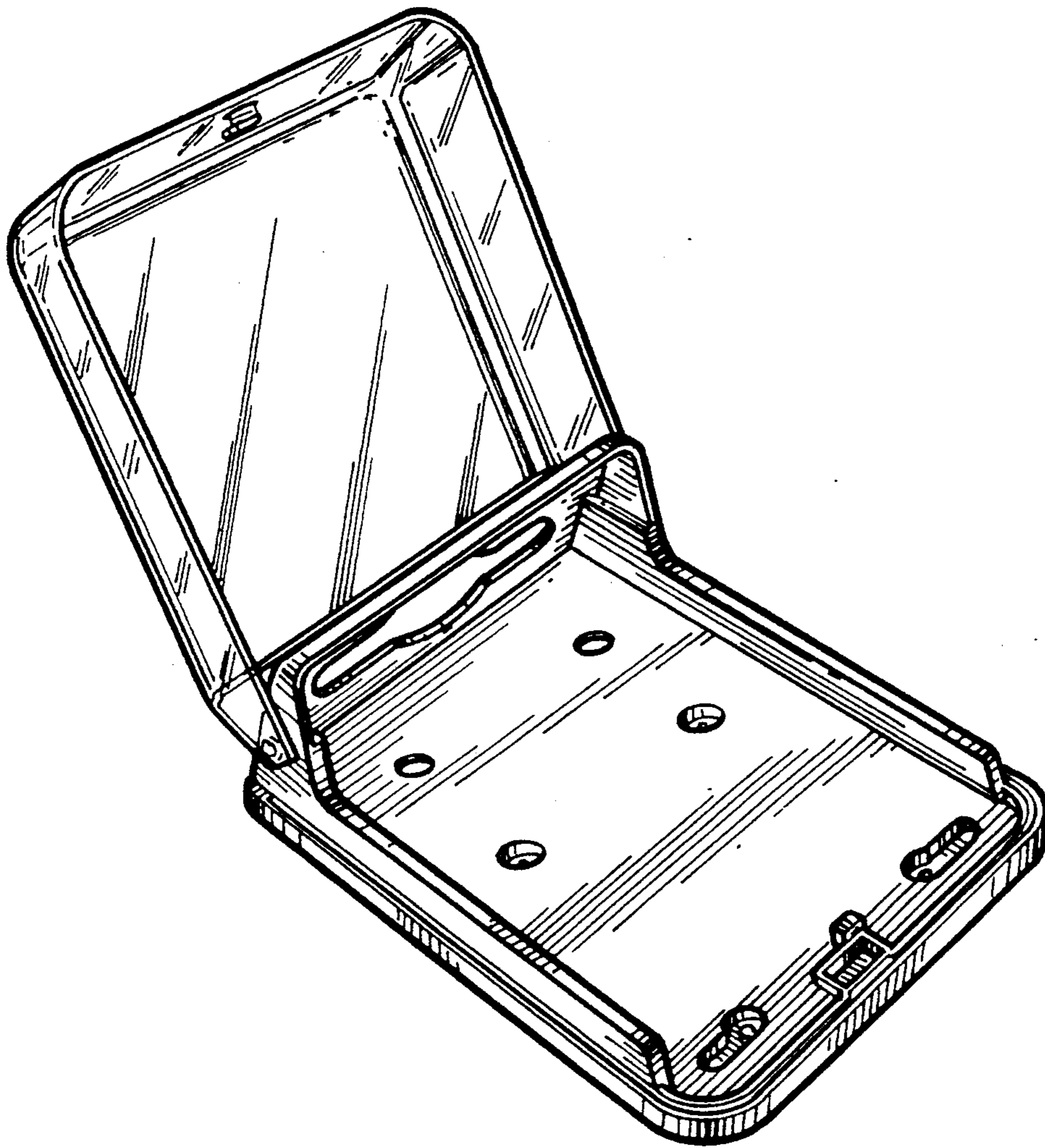


FIG. 3

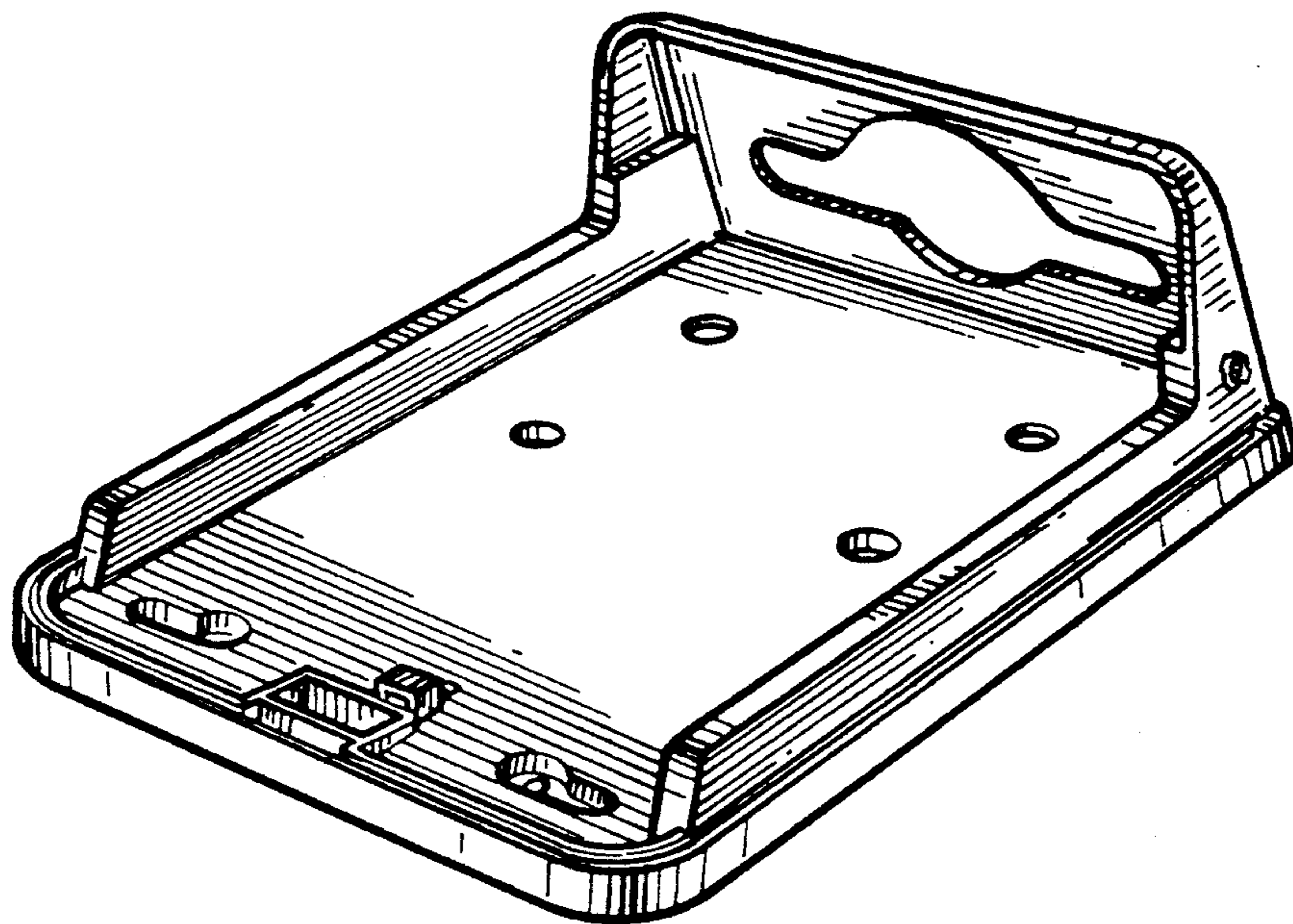


FIG. 4

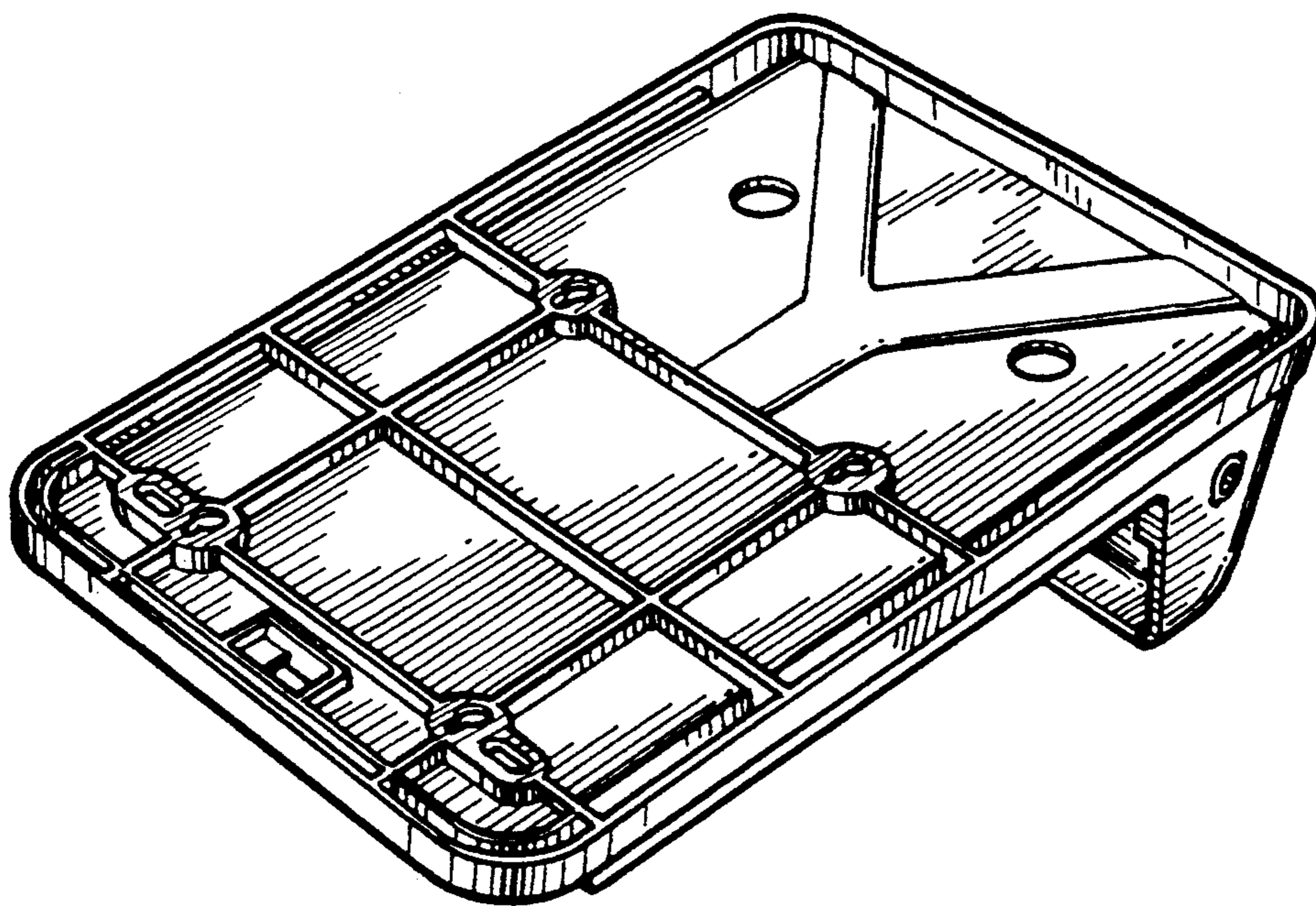


FIG. 5

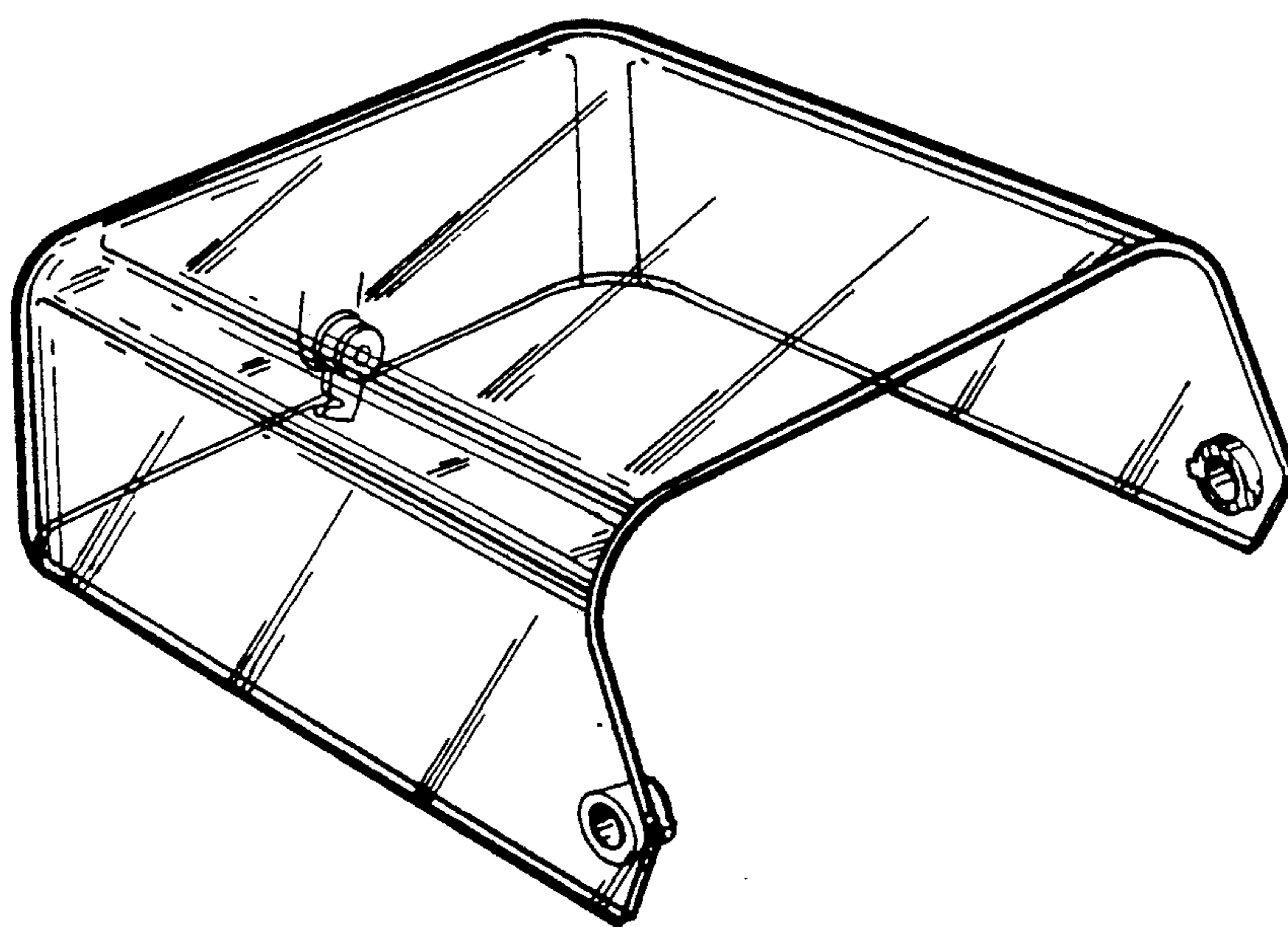


FIG. 6