



US00D337222S

United States Patent [19] Glendinning

[11] Patent Number: Des. 337,222
[45] Date of Patent: ** Jul. 13, 1993

[54] TABLE BASE

5,074,502 12/1991 Glendinning 248/164

[76] Inventor: Scott Glendinning, 5515 Doyle St., #2, Emeryville, Calif. 94608

[**] Term: 14 Years

[21] Appl. No.: 597,773

[22] Filed: Oct. 15, 1990

Related U.S. Application Data

[63] Continuation-in-part of Ser. No. 514,328, Apr. 24, 1993.

[52] U.S. Cl. D6/495

[58] Field of Search D6/480, 482-489, D6/495-499, 455; 108/146, 116, 121, 161; 248/164, 188

[56] References Cited

U.S. PATENT DOCUMENTS

D. 243,306	2/1977	Moyer	D6/488 X
D. 289,839	5/1987	Kouzoujian	D6/489
D. 303,740	10/1989	Lefkowitz	D6/489 X
D. 303,741	10/1989	Lefkowitz	D6/482 X
4,824,058	4/1989	Glendinning	248/164
4,854,531	8/1989	Esposito	248/188 X

OTHER PUBLICATIONS

Design, Jul. 1964, p. 43.
Base.

Primary Examiner—Nelson C. Holtje

Assistant Examiner—J. E. Seeger

Attorney, Agent, or Firm—Bielen, Peterson & Lampe

[57] CLAIM

The ornamental design for a table base, as shown and described.

DESCRIPTION

FIG. 1 is a perspective view of a table base, showing my new design;

FIG. 2 is a top plan view;

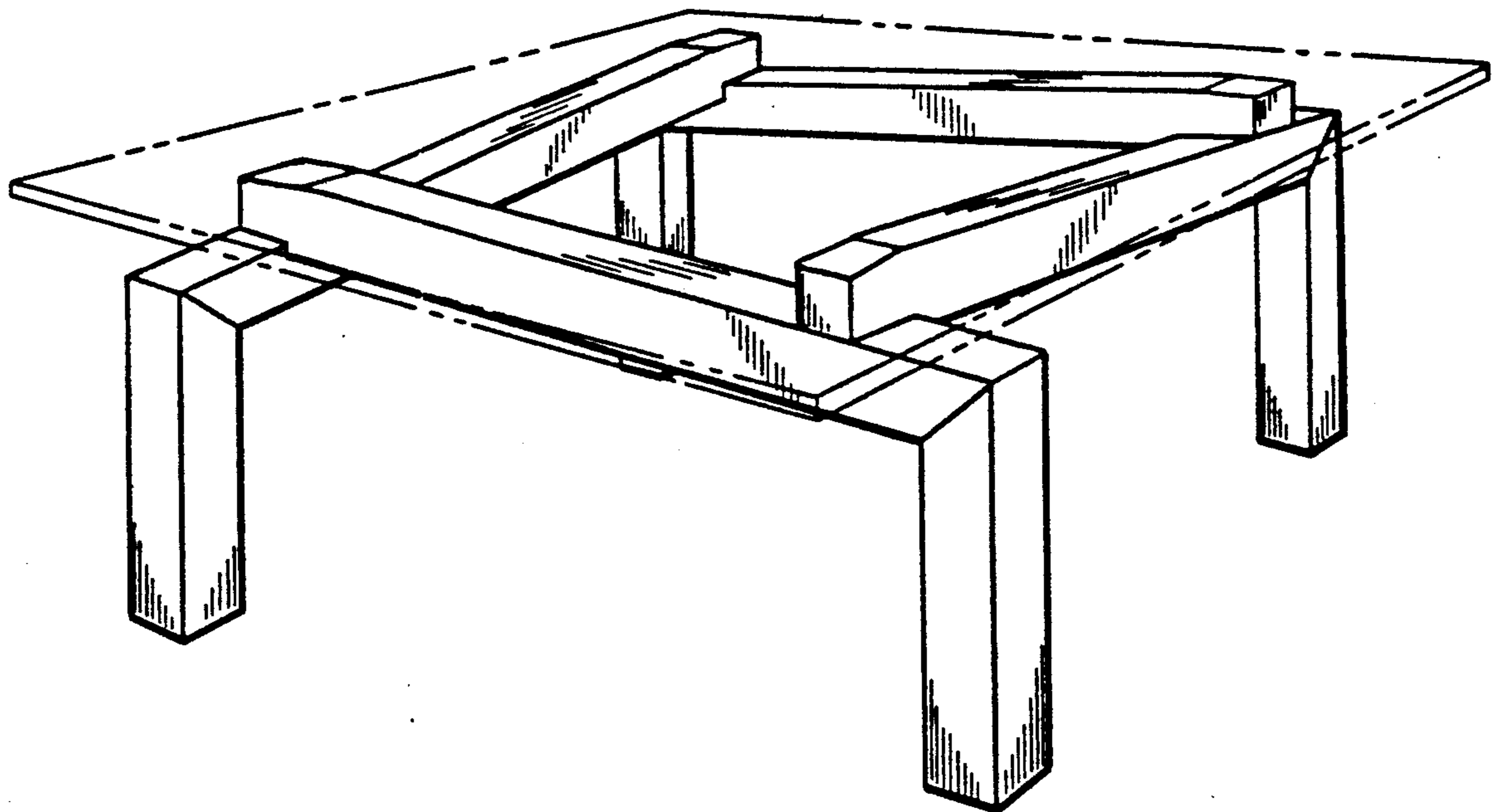
FIG. 3 is a bottom plan view;

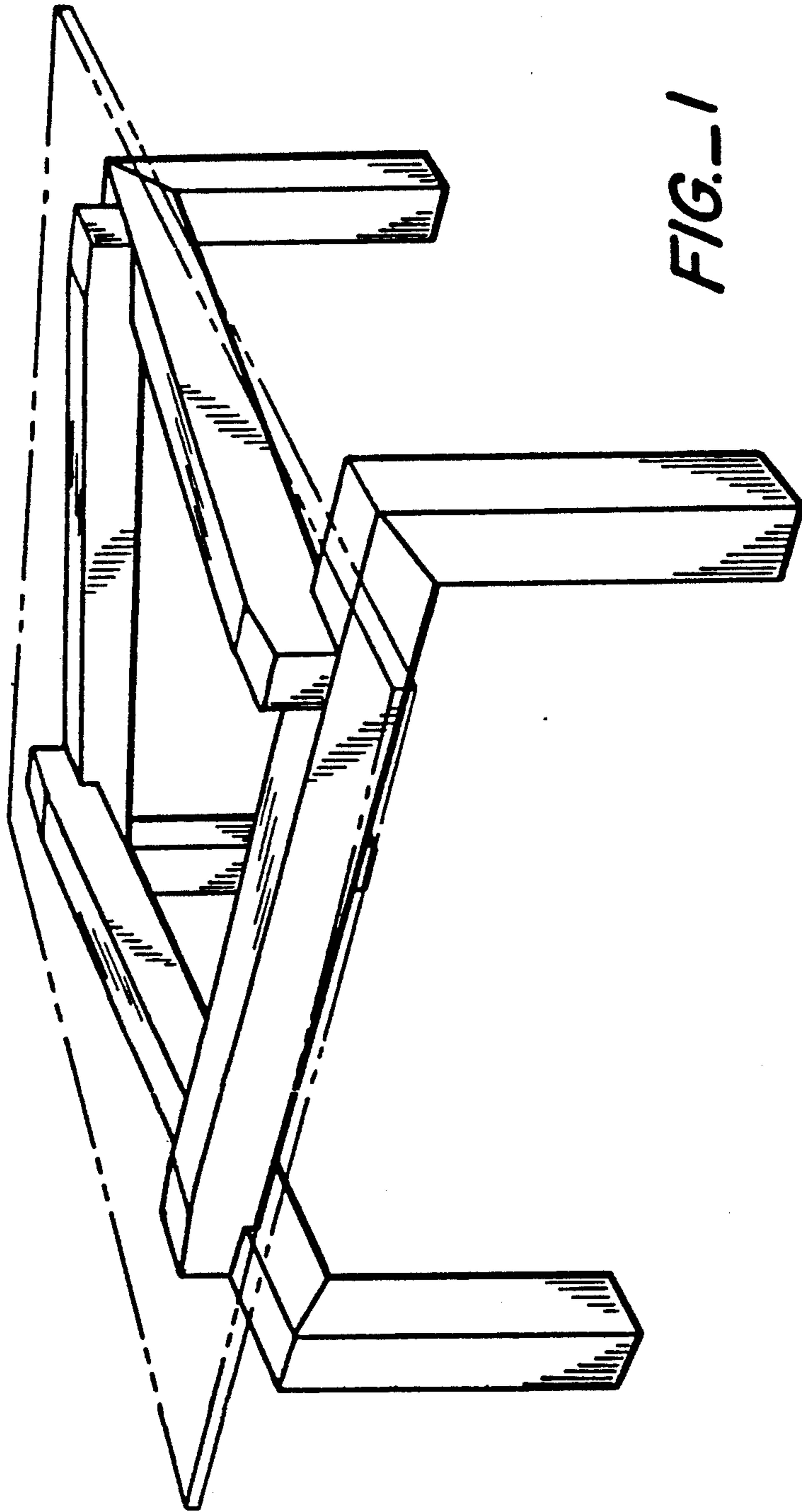
FIG. 4 is a typical side elevational view;

FIG. 5 is a perspective view of a table base, showing an alternate embodiment of my new design; and,

FIG. 6 is a typical side elevational view of the alternate embodiment.

The broken lines are shown for illustrative purposes only.





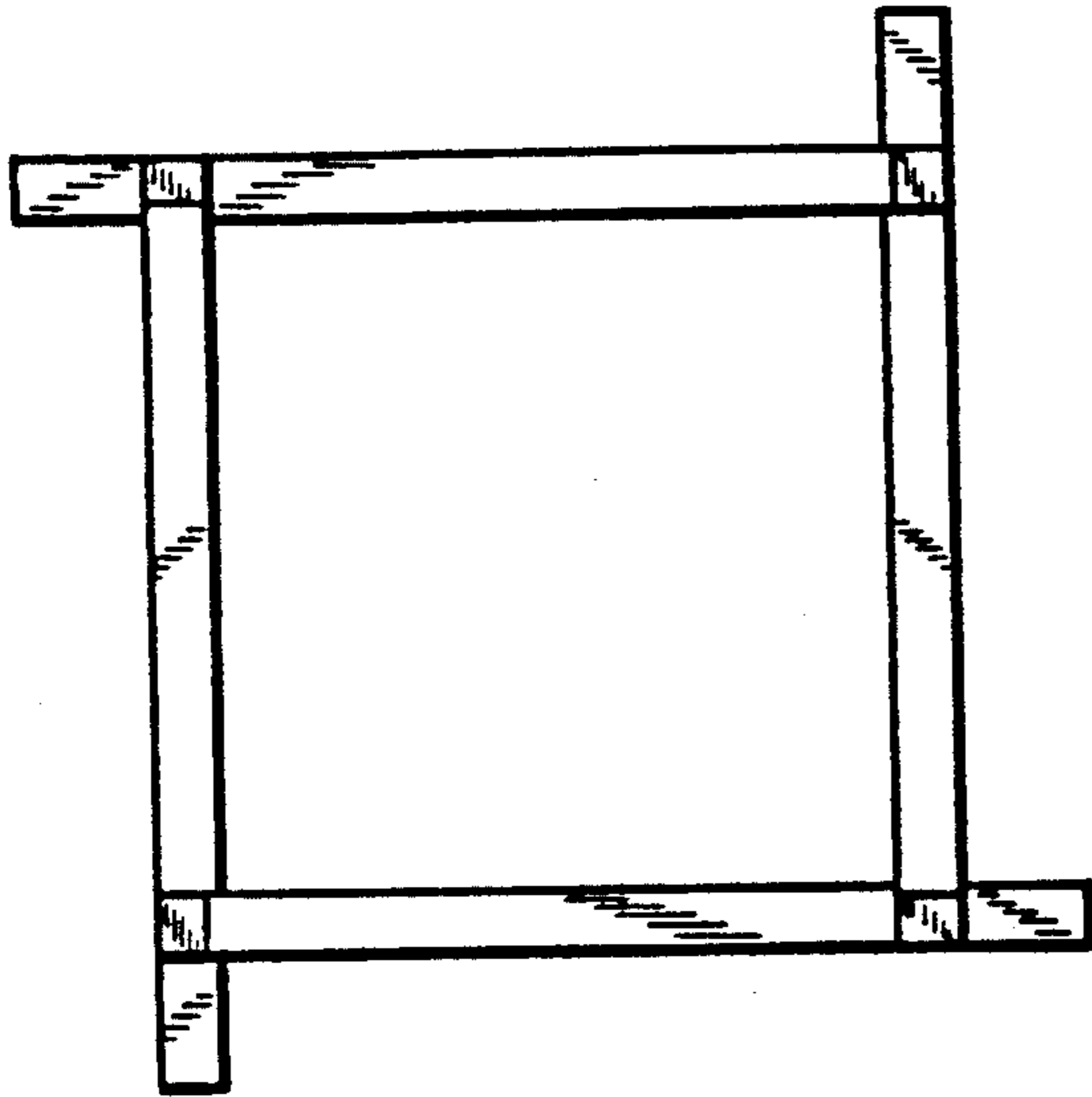


FIG. 2

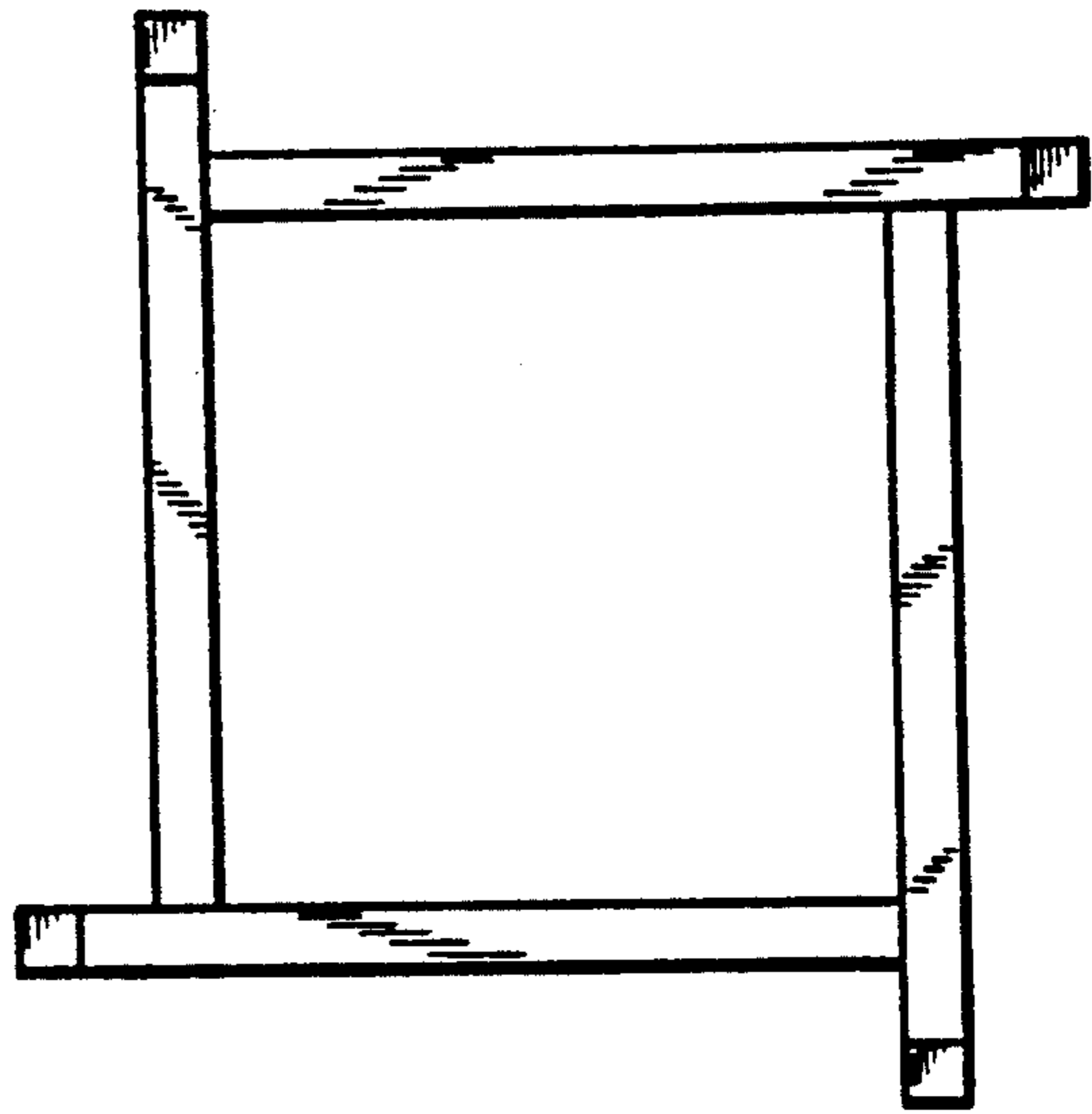


FIG. 3

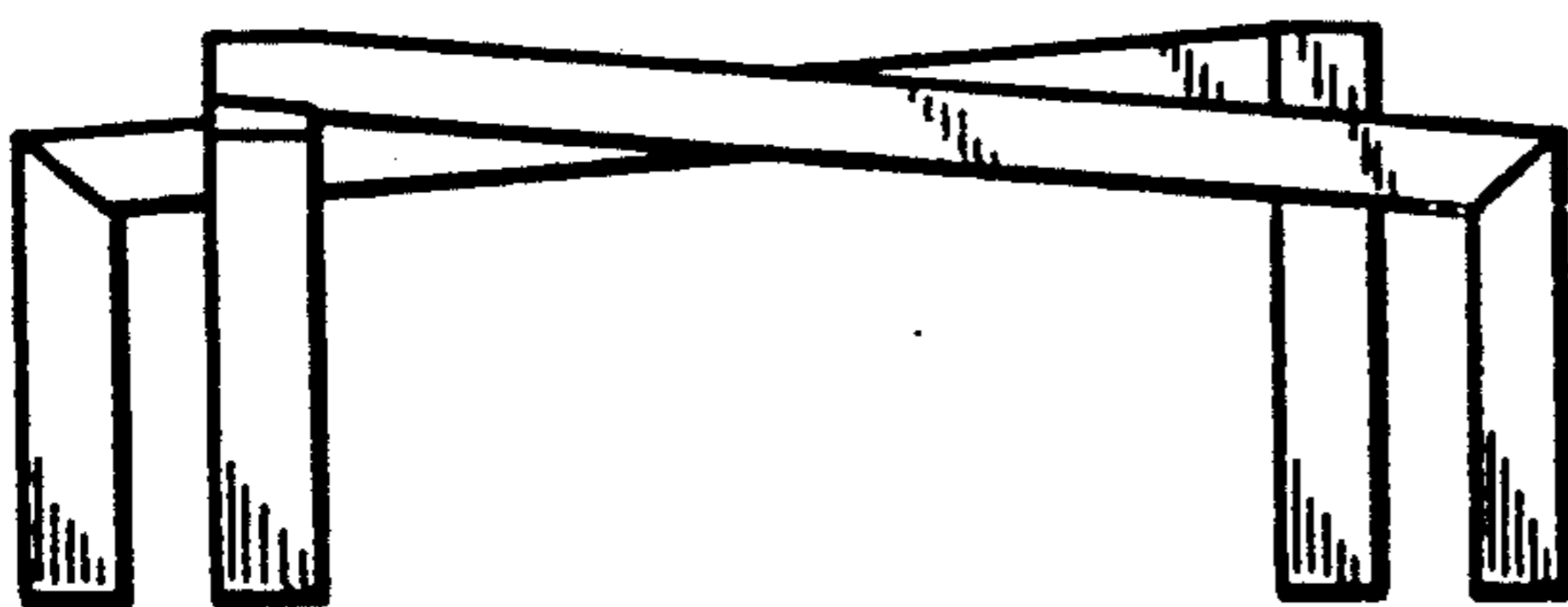


FIG. 4

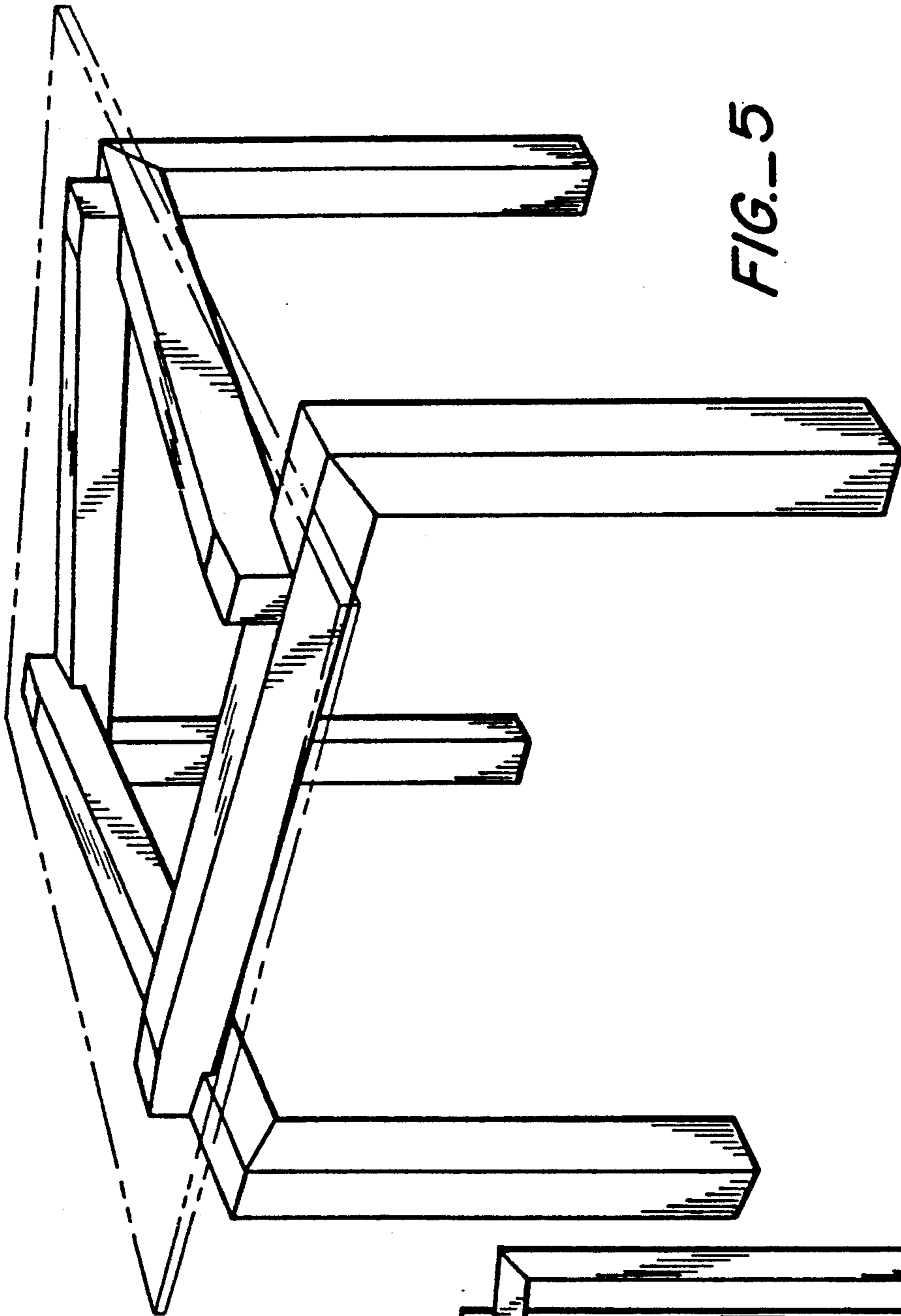


FIG.-5

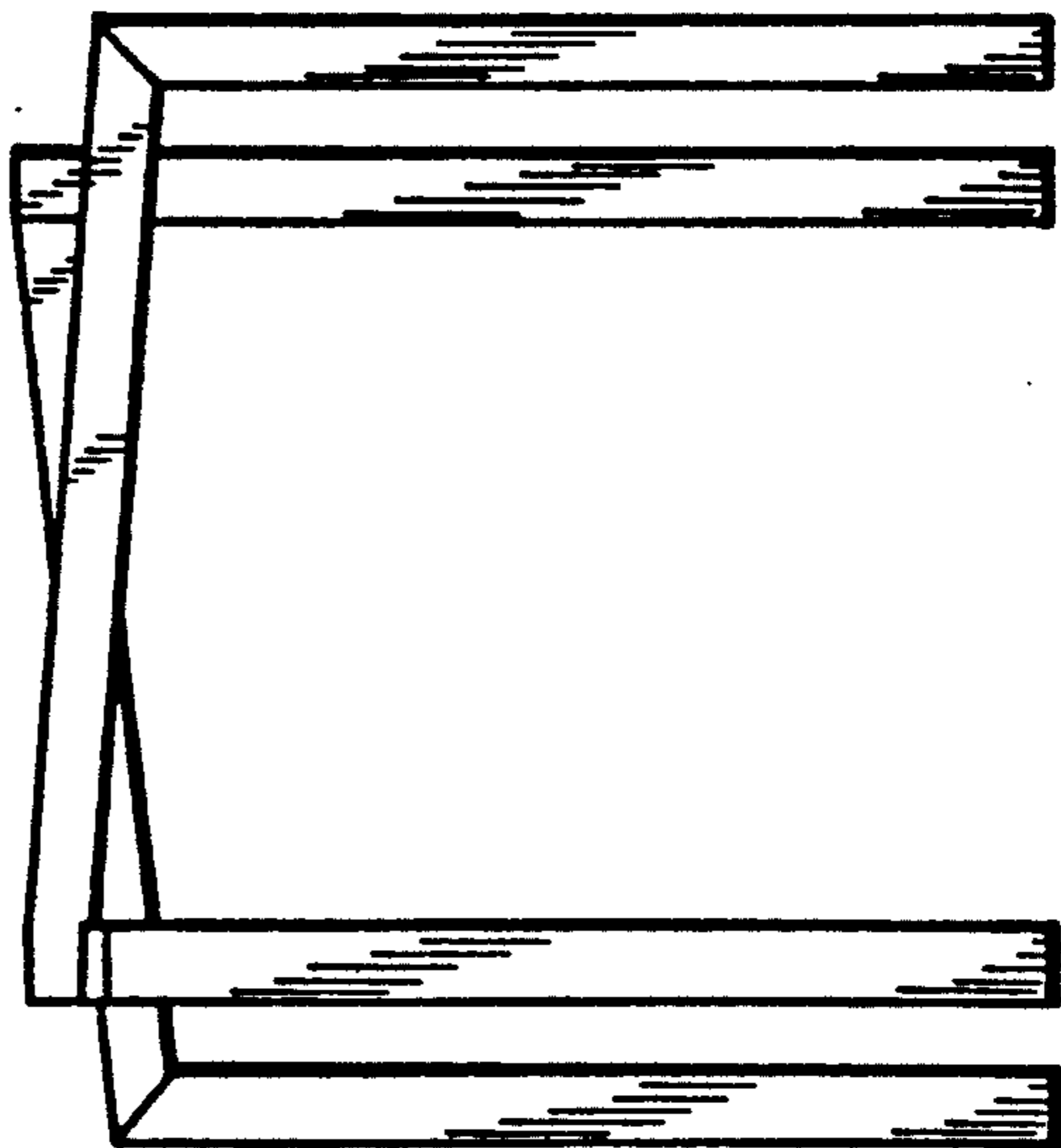


FIG.-6