



US00D337214S

# United States Patent [19]

Barrons et al.

[11] Patent Number: **Des. 337,214**

[45] Date of Patent: **\*\* Jul. 13, 1993**

[54] **ADJUSTABLE TABLE**

[75] Inventors: **James D. Barrons; Morris D. Hunt,**  
both of Stantonville; **Carlton H. Ackermann,** Franklin, all of Tenn.

[73] Assignee: **DBH Limited, Inc.,** Adamsville, Tenn.

[\*\*] Term: **14 Years**

[21] Appl. No.: **707,664**

[22] Filed: **May 30, 1991**

[52] U.S. Cl. .... **D6/431; D6/406**

[58] Field of Search ..... **D6/406, 419, 420, 429-431;**  
**108/5, 25, 32, 43; 248/444, 444.1, 441.1, 442.2,**  
**445, 446, 460, 461, 463, 464, 465, 447.1**

[56] **References Cited**

**U.S. PATENT DOCUMENTS**

D. 145,808 10/1946 La Pidus ..... D6/420

D. 288,750	3/1987	Friedman .....	D6/429
D. 293,397	12/1987	Hunt .....	D6/429
D. 298,786	12/1988	Wilkinson .....	D6/429 X
D. 308,922	7/1990	Ng et al. .	
3,385,238	5/1968	Jay .	
4,467,991	8/1984	Bailes .....	248/447.1
4,515,087	5/1985	Kurrasch .	
4,604,955	8/1986	Fleischer et al. .	
4,981,085	1/1991	Watt .	

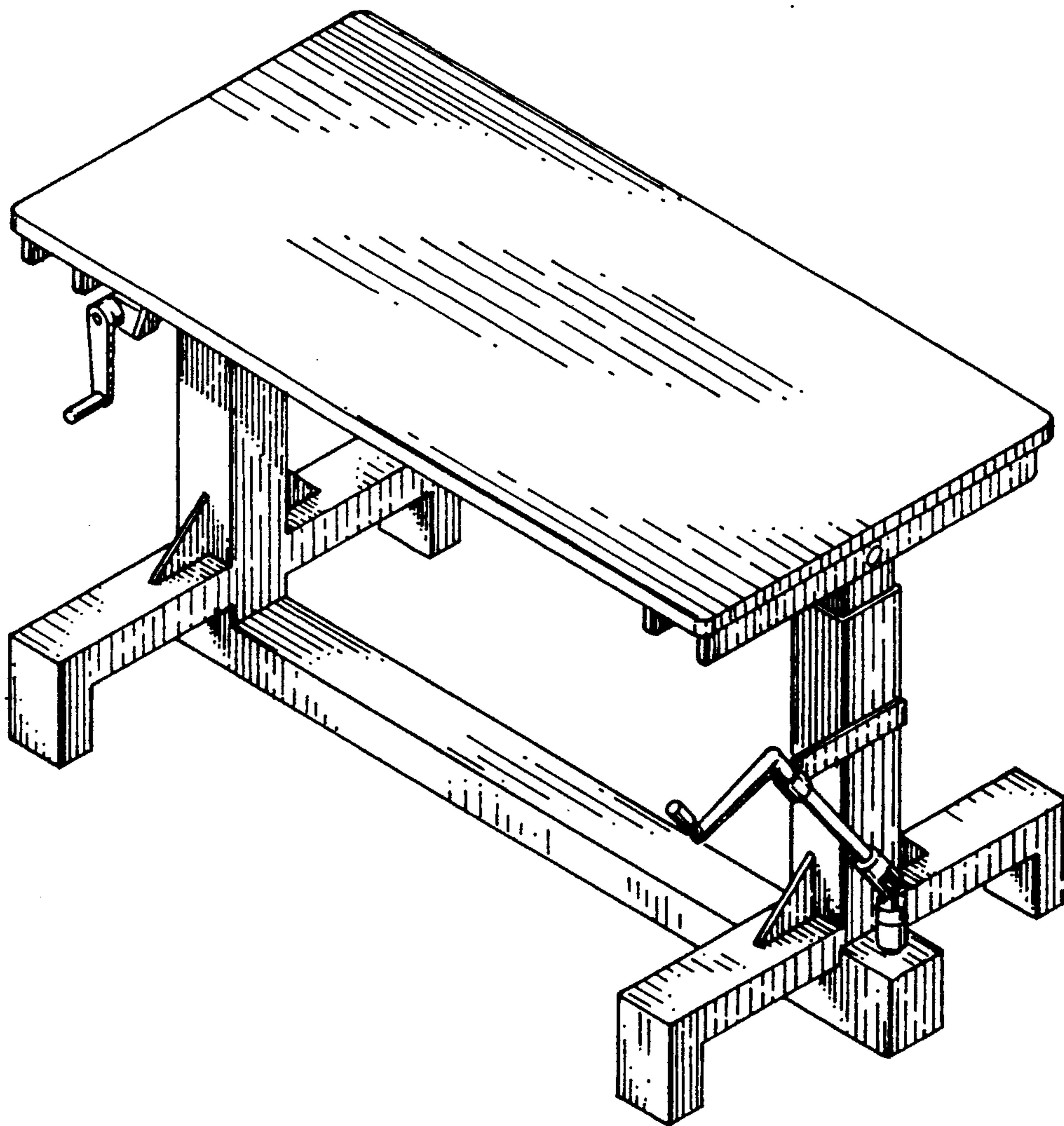
*Primary Examiner*—Carmen H. Vales-Lado  
*Attorney, Agent, or Firm*—Kalish & Gilster

[57] **CLAIM**

The ornamental design for an adjustable table, as shown and described herein.

**DESCRIPTION**

FIG. 1 is a right, front perspective view of an adjustable table embodying our new design; FIG. 2 is a right, rear perspective view thereof; and, FIG. 3 is a bottom plan view thereof.



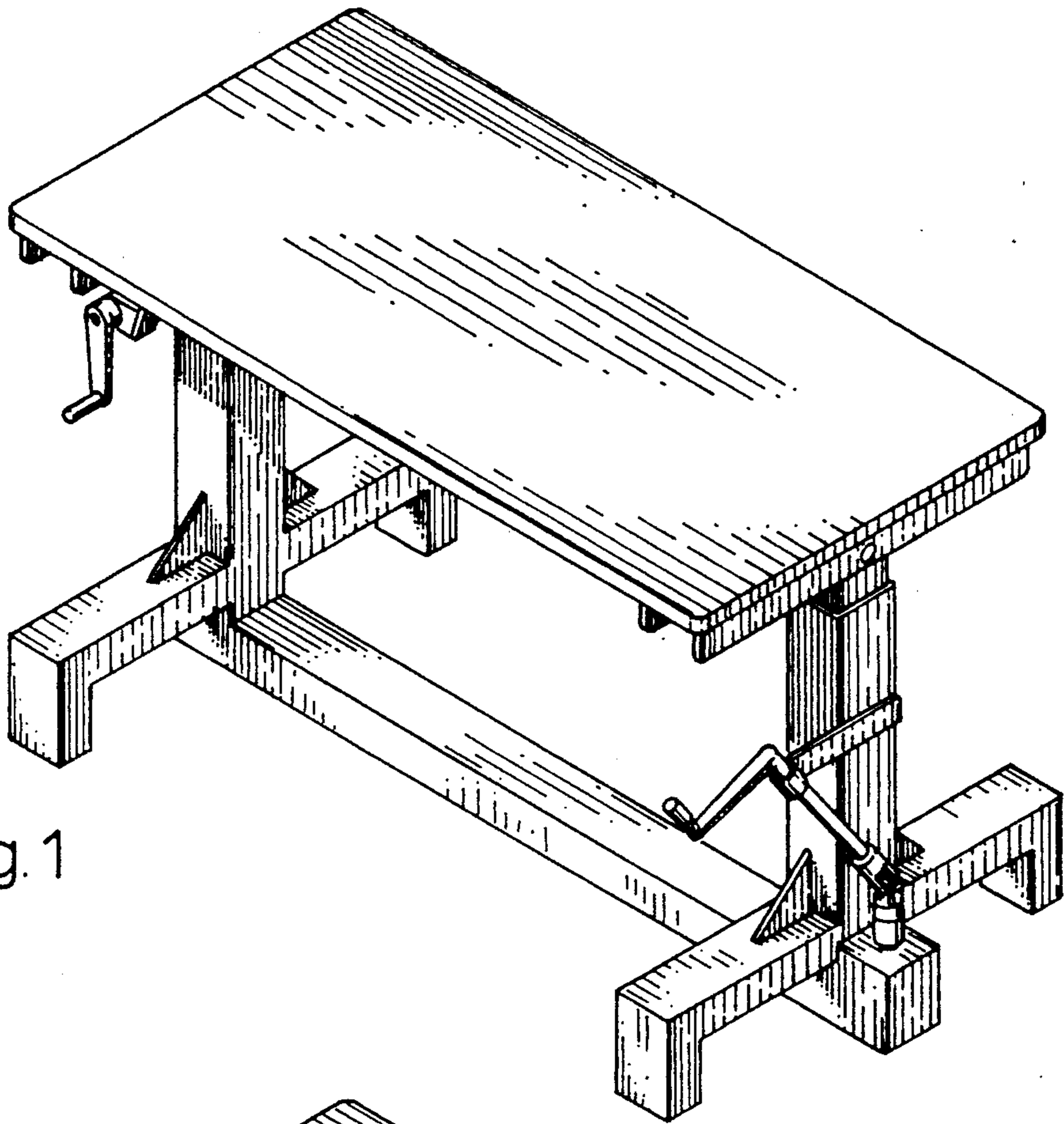


Fig. 1

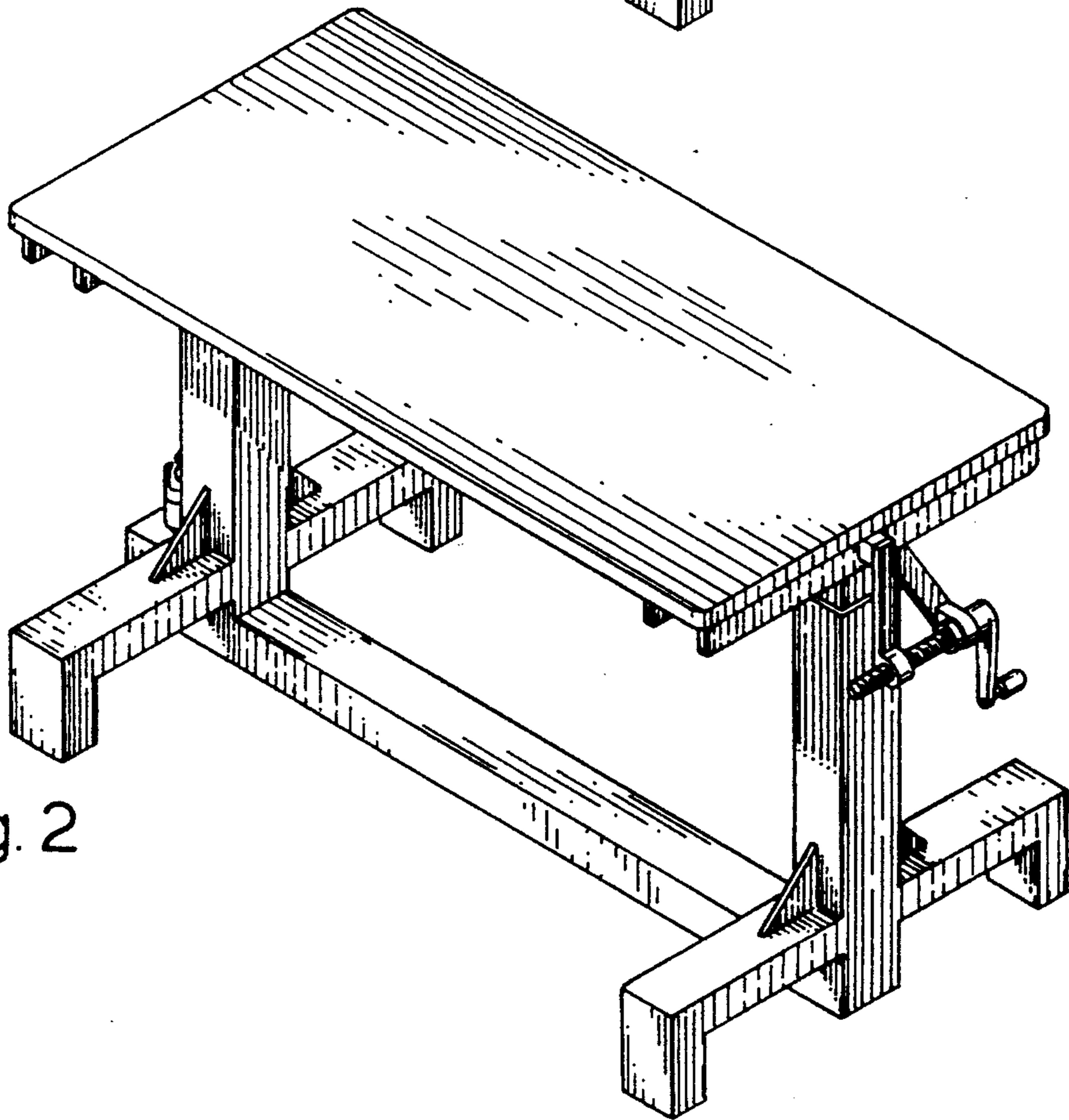


Fig. 2

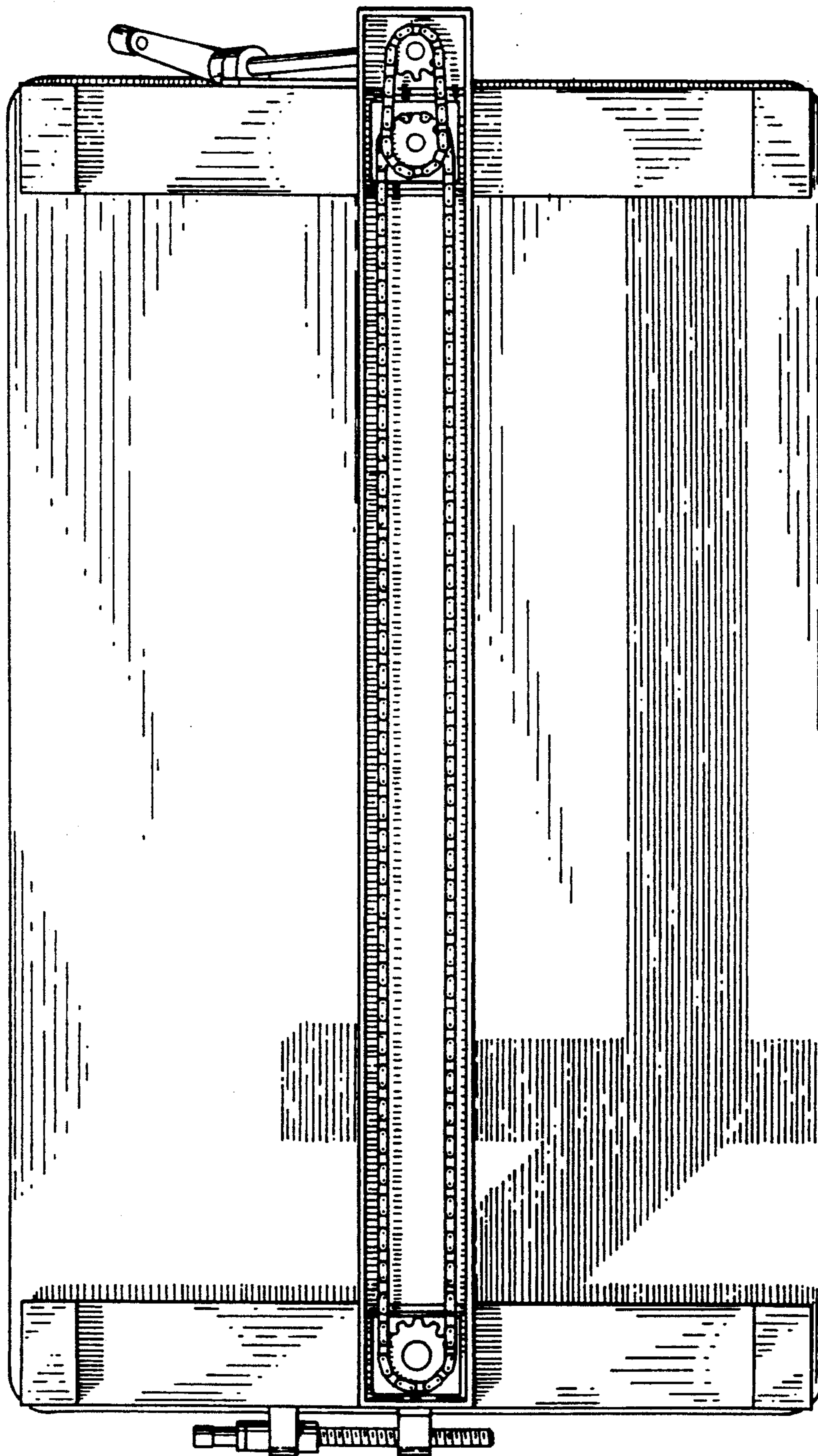


Fig. 3