



US00D337211S

**United States Patent** [19]  
**Bergkvist**

[11] **Patent Number: Des. 337,211**

[45] **Date of Patent: \*\* Jul. 13, 1993**

[54] **CHILD STOOL**

[75] **Inventor: Hakan Bergkvist, Stockholm, Sweden**

[73] **Assignee: Baby Bjorn AB, Stocksund, Sweden**

[\*\*] **Term: 14 Years**

[21] **Appl. No.: 534,664**

[22] **Filed: Jun. 7, 1990**

[30] **Foreign Application Priority Data**

Dec. 11, 1989 [SE] Sweden ..... 90-2836

[52] **U.S. Cl. .... D6/349**

[58] **Field of Search ..... D6/349, 333, 335, 350, D6/474, 511; 297/DIG. 2, 250; D21/121; D25/62, 65**

[56] **References Cited**

**U.S. PATENT DOCUMENTS**

D. 51,262 9/1917 Zagora ..... D6/349

D. 54,117 11/1919 Palmquist ..... D6/349

D. 157,319	2/1950	Bair	.....	D6/349
D. 192,218	2/1962	Forsman et al.	.....	D6/349
D. 221,072	7/1971	Arenhold	.....	D6/349
D. 257,451	10/1980	Culler	.....	D6/349
D. 268,796	5/1983	Kola	.....	D6/349
4,832,355	5/1989	Hung	.....	D6/355

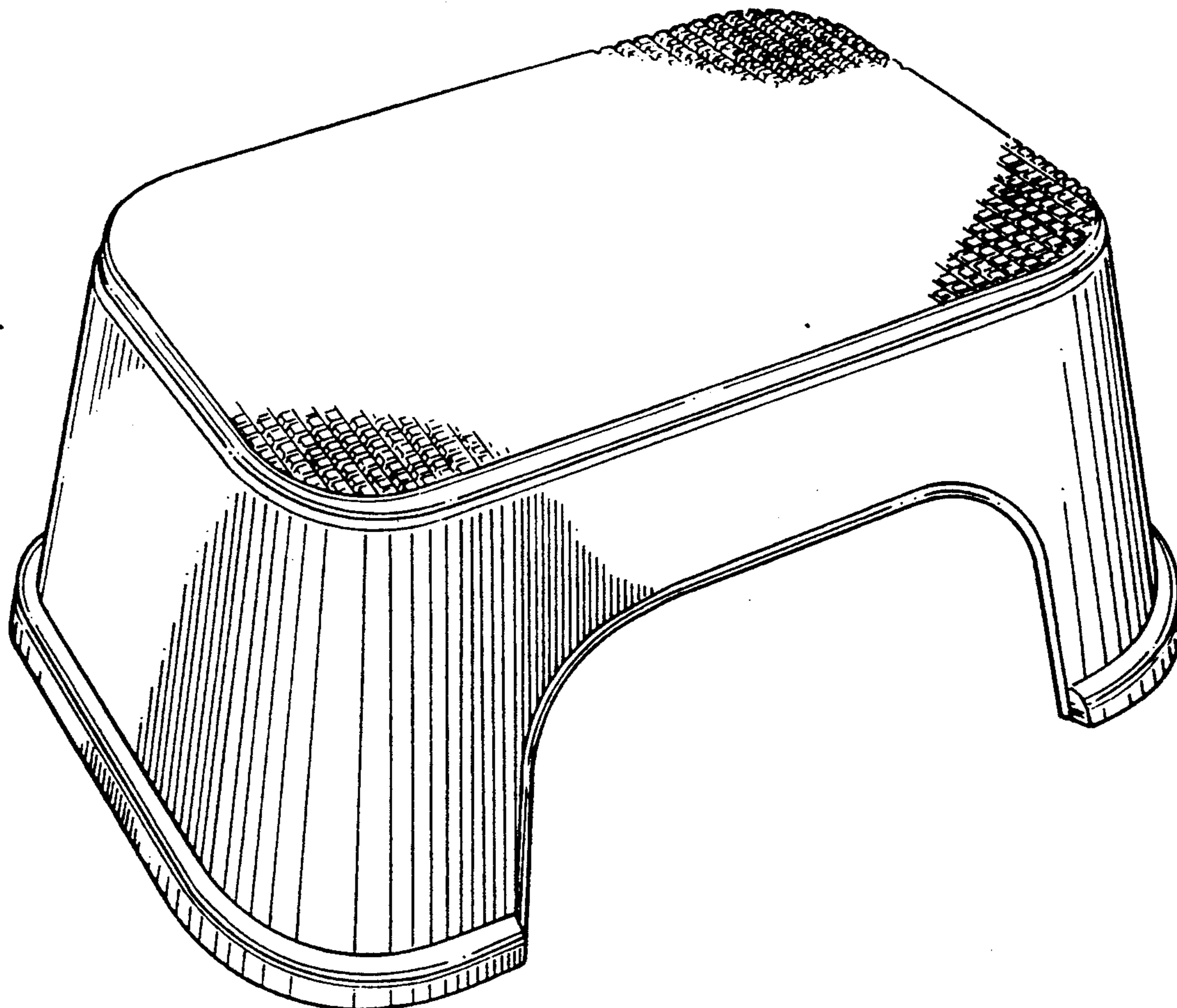
*Primary Examiner*—Alan P. Douglas  
*Assistant Examiner*—Monica A. Hannon  
*Attorney, Agent, or Firm*—Keck, Mahin & Cate

[57] **CLAIM**

The ornamental design for a child stool, as shown and described.

**DESCRIPTION**

FIG. 1 is a front perspective view of a child stool showing my new design;  
FIG. 2 is a rear perspective view thereof;  
FIG. 3 is a top plan view thereof;  
FIG. 4 is a bottom plan view thereof;  
FIG. 5 is a front elevational view thereof; and,  
FIG. 6 is a side elevational view, the opposite side being identical, thereof.



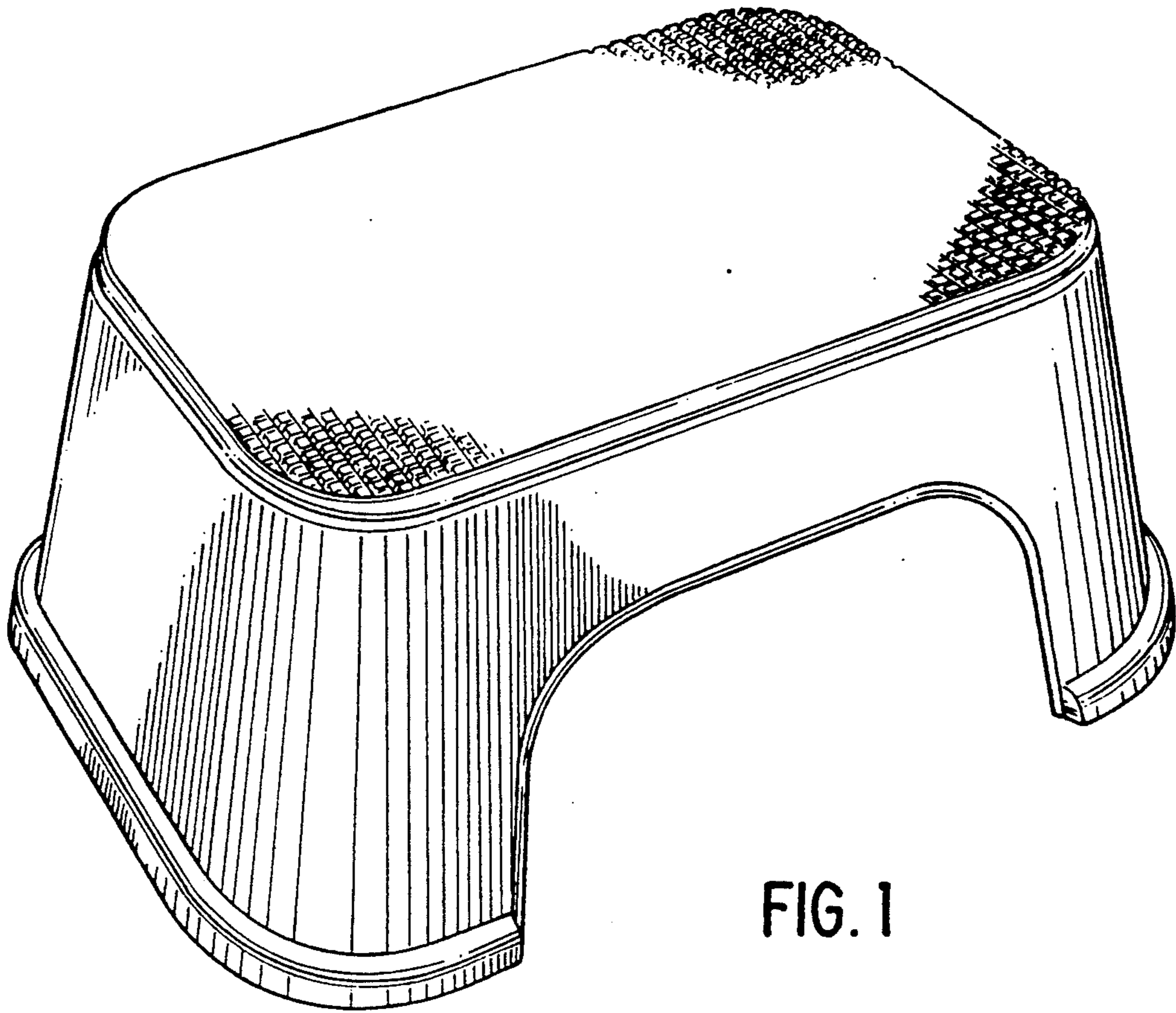


FIG. 1

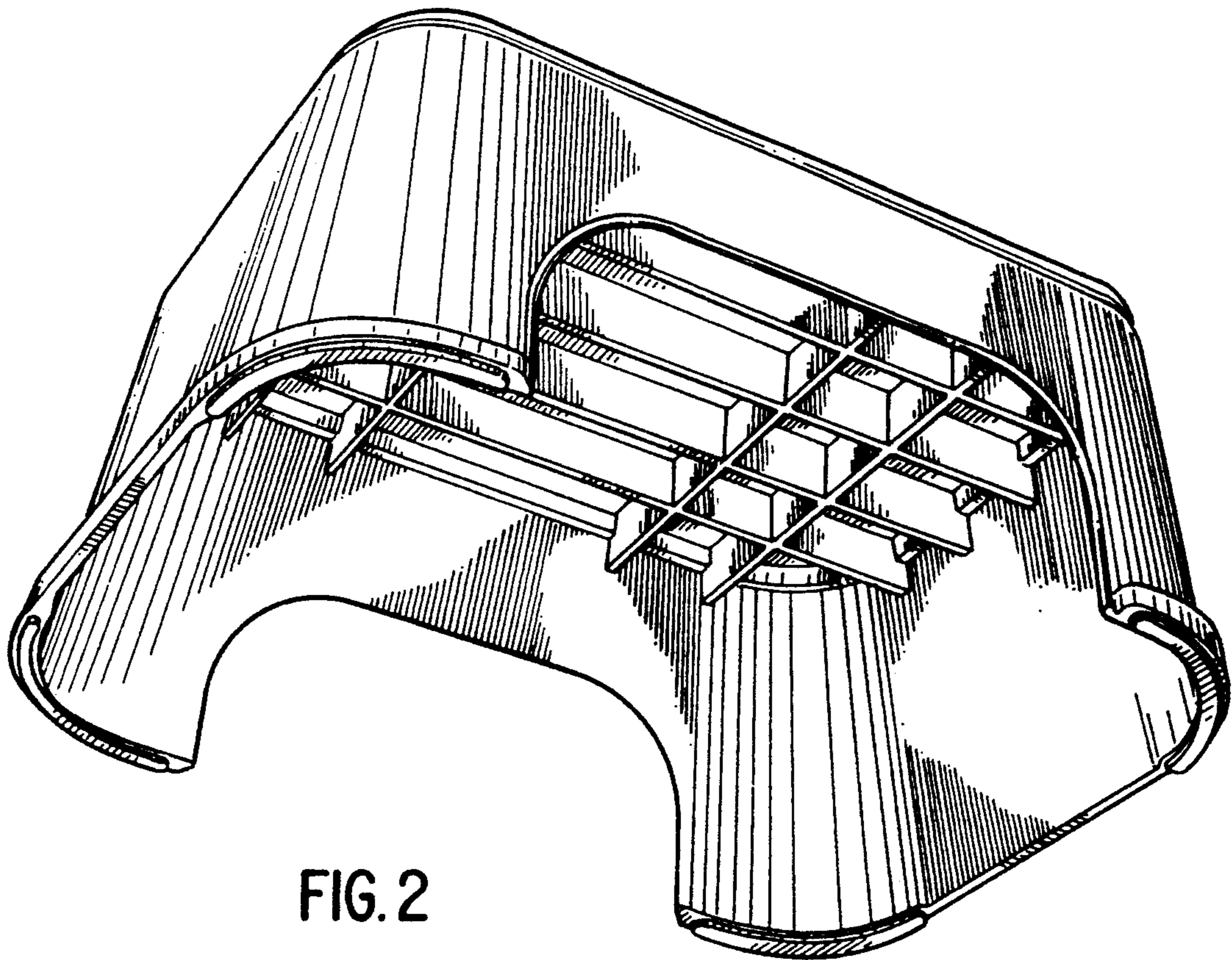


FIG. 2

Fig. 3

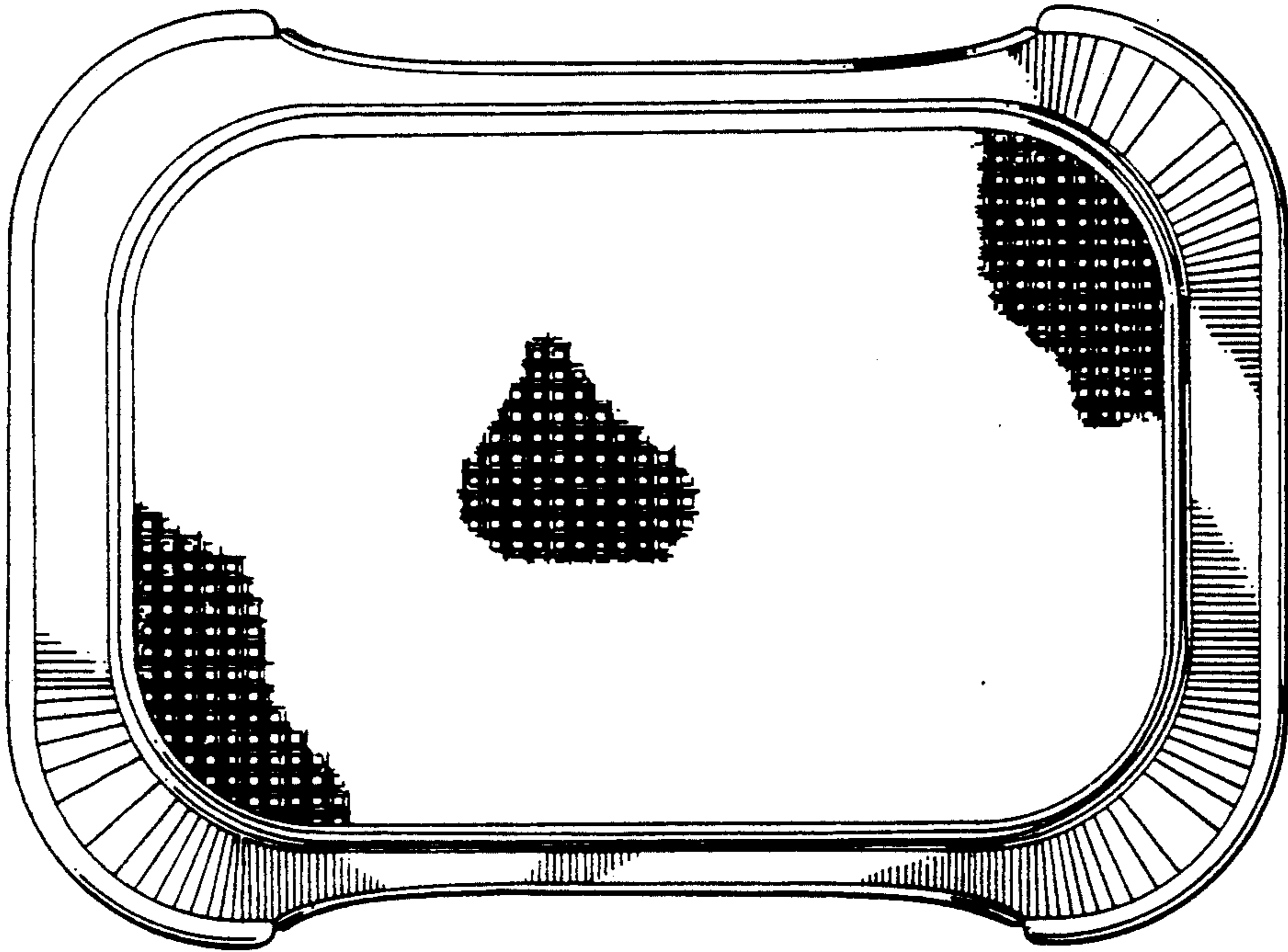


Fig. 4

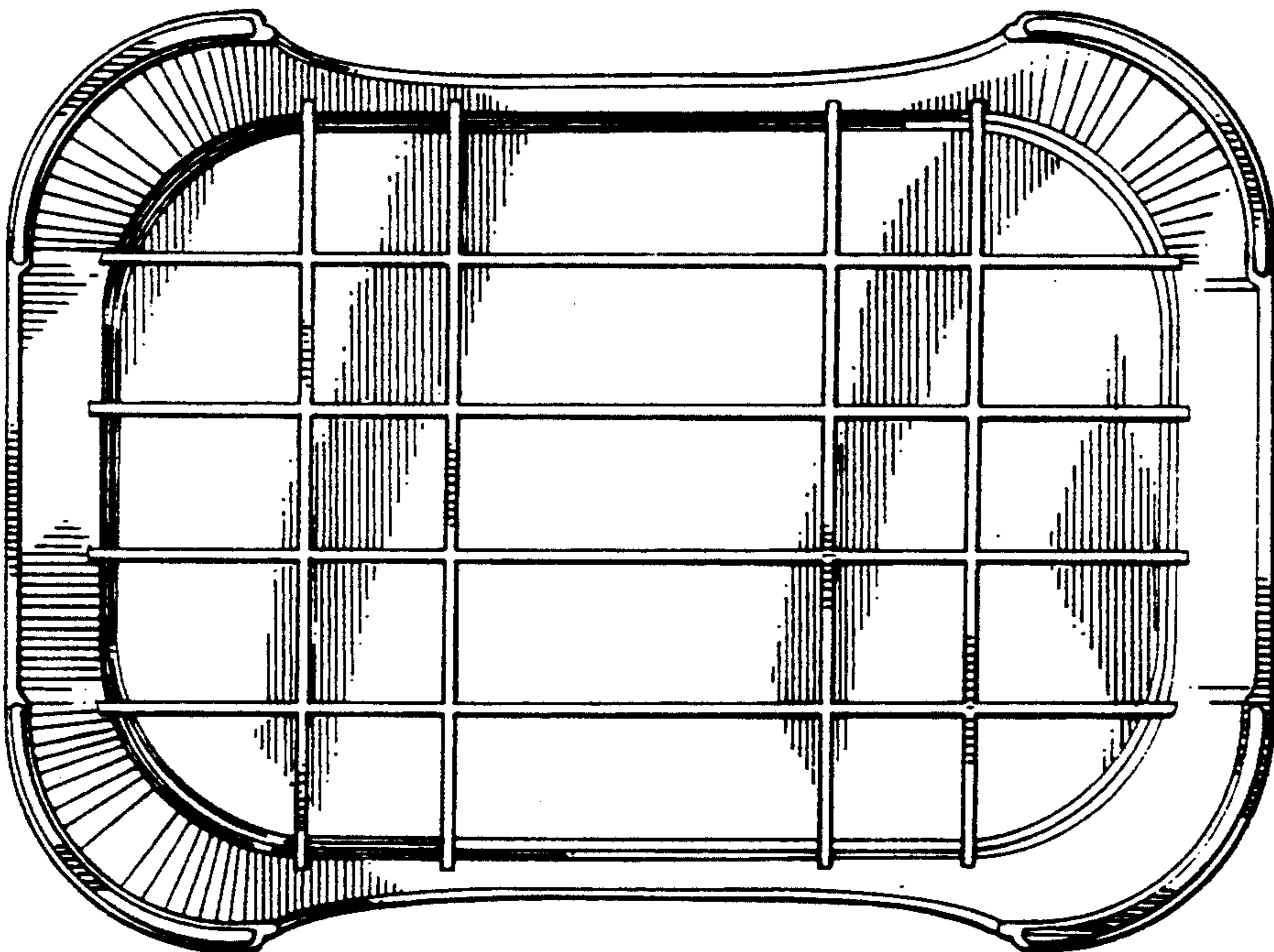


Fig. 5

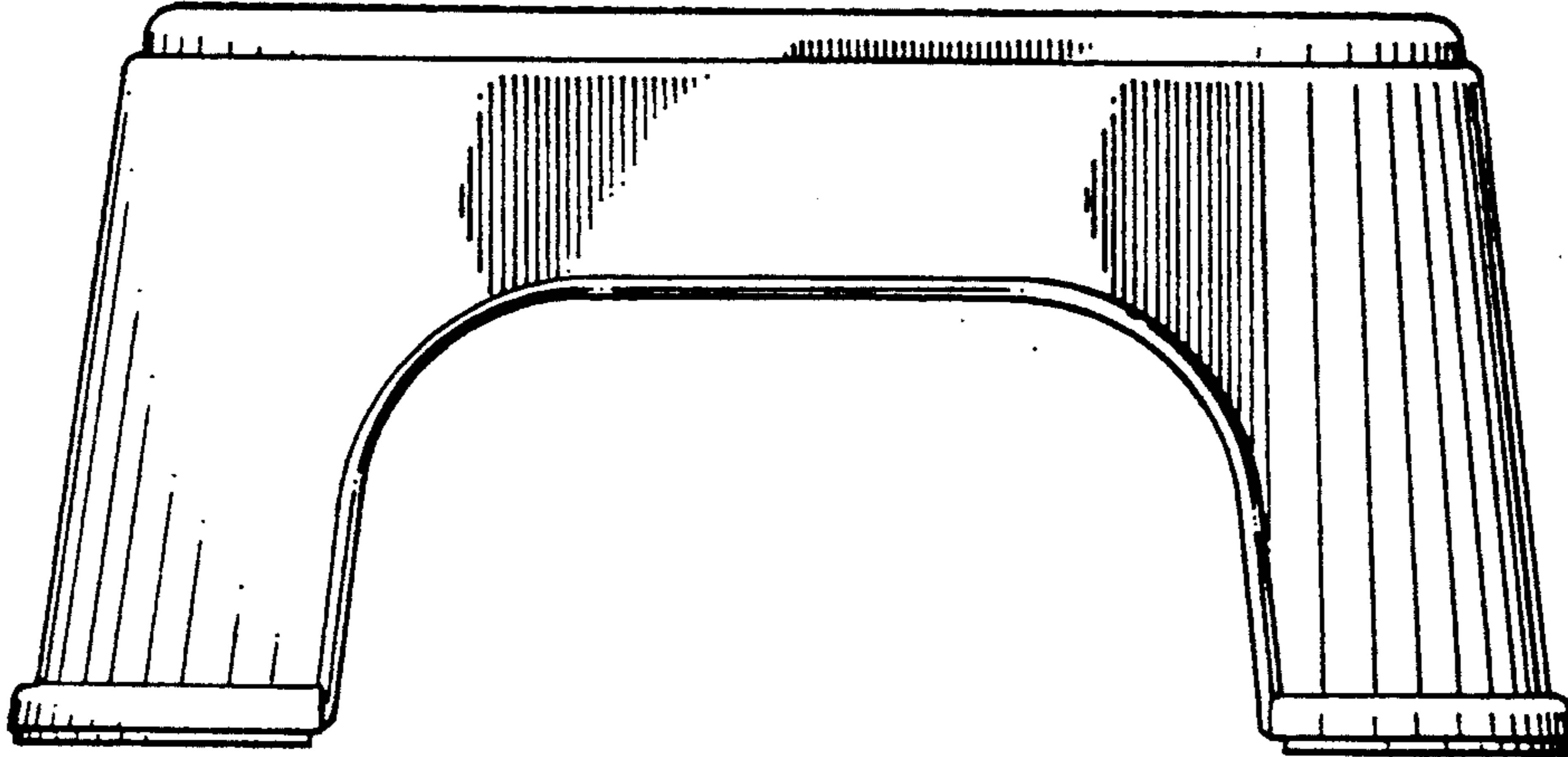


Fig. 6

