



US00D337209S

United States Patent [19]

Cardinal et al.

[11] Patent Number: **Des. 337,209**

[45] Date of Patent: **** Jul. 13, 1993**

- [54] **GARMENT HANGER**
- [75] Inventors: **Kevin J. Cardinal, Kelowna, Canada;**
Gregory A. Hayes, Surrey, Canada
- [73] Assignee: **Kevin Cardinal, Canada**
- [**] Term: **14 Years**
- [21] Appl. No.: **569,666**
- [22] Filed: **Aug. 20, 1990**
- [52] U.S. Cl. **D6/317; D6/320;**
D6/566
- [58] Field of Search **D6/317, 320, 566;**
D8/370; 211/87, 106, 86

3,118,544	1/1964	Franklin	211/102
3,352,429	11/1967	Magnuson	211/113
5,014,948	5/1991	Asaro et al.	211/86

FOREIGN PATENT DOCUMENTS

200232	5/1920	Canada .
243298	9/1924	Canada .
454063	1/1949	Canada .
679125	1/1964	Canada .
715898	8/1965	Canada .
848292	8/1970	Canada .
1101385	5/1981	Canada .
1141346	2/1983	Canada .
1206452	6/1986	Canada .
58156	2/1987	Canada .

OTHER PUBLICATIONS

Architectural Supplements Inc.; p. 3; handle (top).

Primary Examiner—B. J. Bullock
Attorney, Agent, or Firm—Sughrue, Mion, Zinn,
Macpeak & Seas

[57] CLAIM

The ornamental design for a garment hanger, as shown and described.

DESCRIPTION

FIG. 1 is a perspective view of a garment hanger showing our new design;
 FIG. 2 is a side elevational view taken from the right side of FIG. 1;
 FIG. 3 is a top view of the garment hanger of FIG. 1;
 FIG. 4 is a perspective view of a further variant of the garment hanger of FIG. 1; and,
 FIG. 5 is a perspective view of a yet a further variant of the garment hanger of FIG. 1.
 The rear and bottom of the garment hanger are unornamented.

[56] **References Cited**
U.S. PATENT DOCUMENTS

112,004	2/1871	Alsop	211/106
188,668	8/1960	Rosenberger .	
D. 221,929	9/1971	Allen	D8/370
222,632	5/1914	Wachowicz .	
259,532	6/1981	Steele et al. .	
284,426	7/1986	Morris	D6/314
528,601	11/1894	Koenig .	
800,250	9/1905	Walker .	
1,515,509	11/1924	Menard .	
1,842,118	1/1932	Resnik et al.	211/106
1,986,486	1/1935	Swanson	211/106
2,014,061	7/1934	Anderson	223/85
2,076,174	4/1937	Cournyer	223/92
2,496,473	2/1950	Hunt et al.	223/88
2,503,648	4/1950	Zeigler	223/91
2,532,969	12/1950	Valentine	223/92
2,577,473	12/1951	McEwen	211/106
2,583,475	1/1952	Crandall	211/106
2,679,957	6/1954	Landgraf	223/88
2,917,212	12/1959	Parker	D6/317
3,017,058	1/1962	Hulbert	223/91

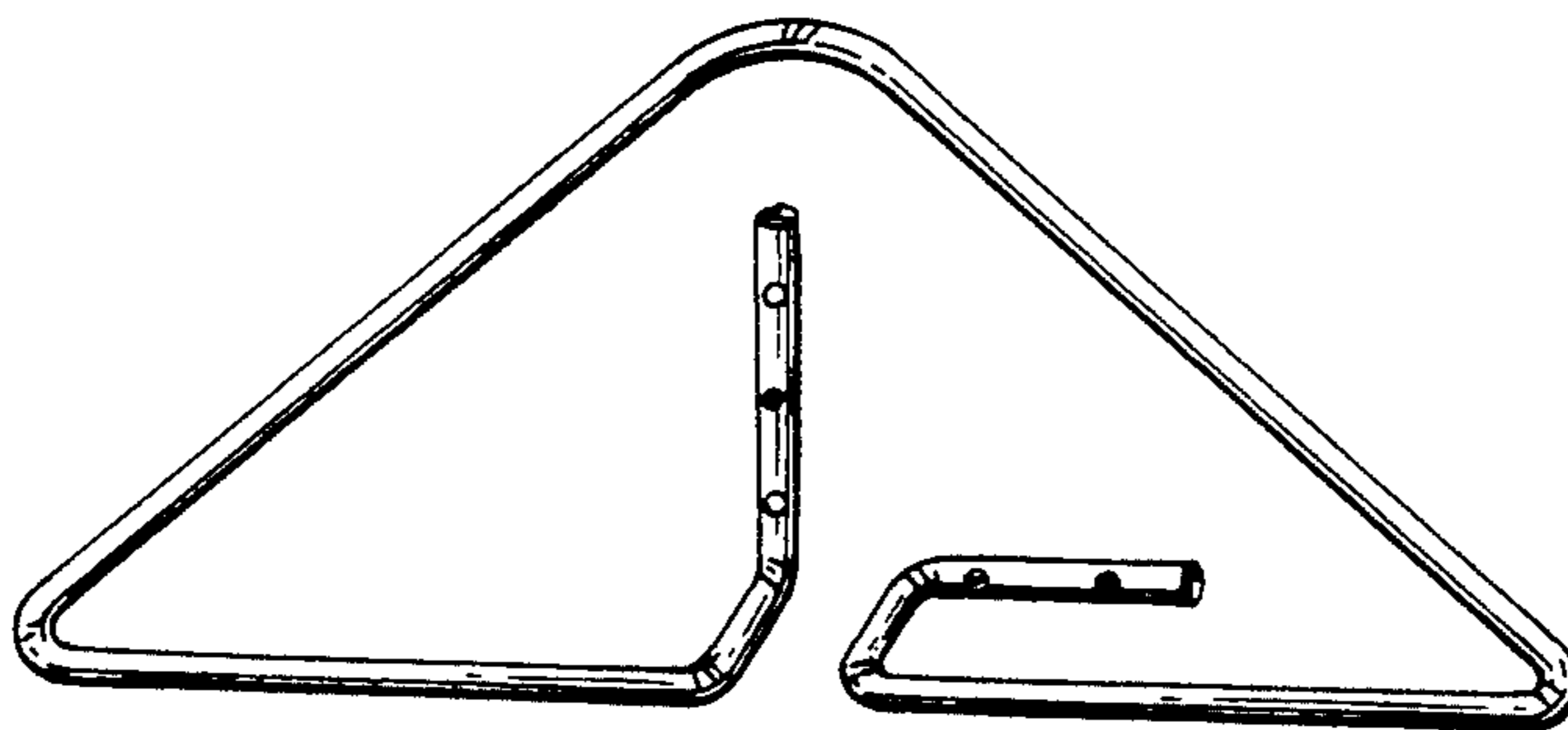


FIG. 1

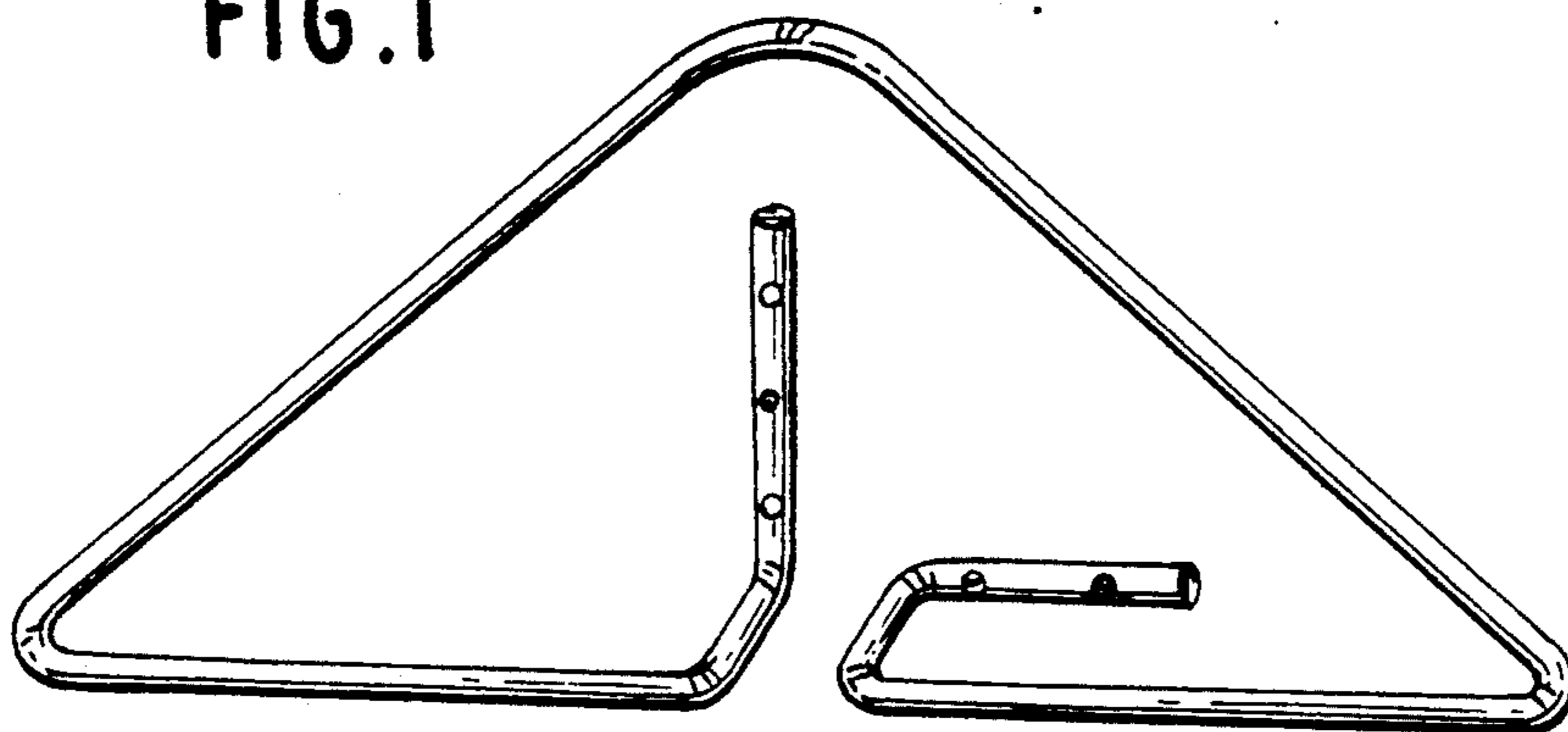


FIG. 2

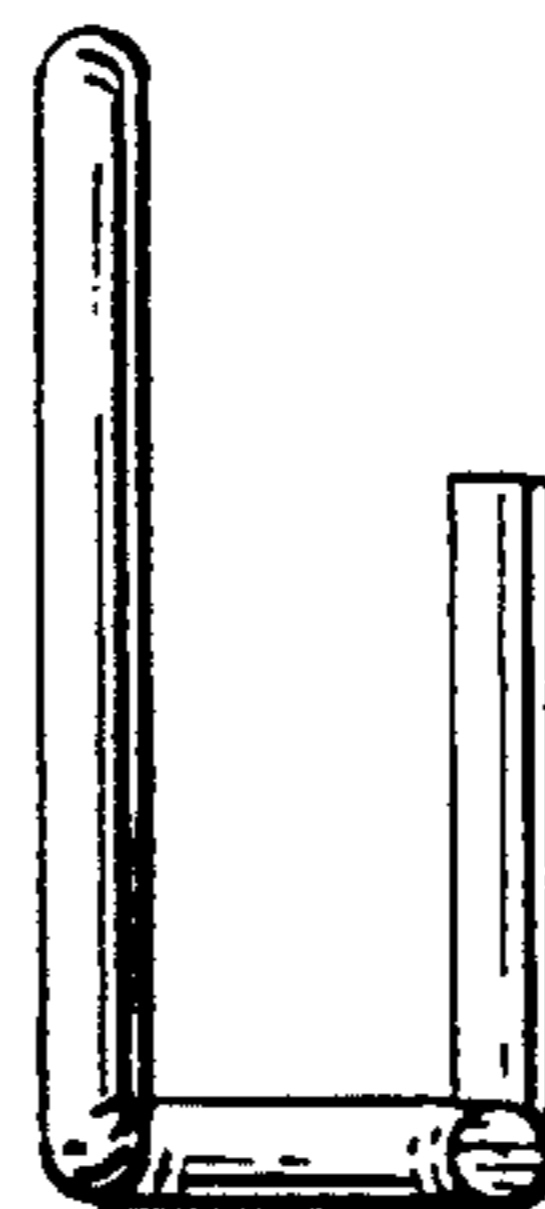


FIG. 3

