



US00D337196S

United States Patent [19]

Horikiri

[11] Patent Number: **Des. 337,196**

[45] Date of Patent: **** Jul. 13, 1993**

[54] CASE FOR AN AUDIO TAPE CASSETTE

5,109,982 5/1992 Morita 206/387

[75] Inventor: **Kazuhisa Horikiri, Kanagawa, Japan**

Primary Examiner—A. Hugo Word

Assistant Examiner—Celia A. Murphy

[73] Assignee: **Fuji Photo Film Co., Ltd., Kanagawa, Japan**

Attorney, Agent, or Firm—Young & Thompson

[**] Term: **14 Years**

[57] CLAIM

[21] Appl. No.: **744,003**

The ornamental design for a case for an audio tape cassette, as shown and described.

[22] Filed: **Aug. 12, 1991**

DESCRIPTION

[52] U.S. Cl. **D3/35; D3/74**

[58] Field of Search **D3/30.1, 35, 39, 56, D3/59, 60, 71, 74, 79, 100; D19/26, 27, 75, 76, 90, 91; D27/155, 157, 159, 172, 186, 189, 190, 191; 206/312, 387, 444, 420; 360/133**

FIG. 1 is a perspective view of a case for an audio tape cassette, showing my new design;

FIG. 2 is a front elevational view thereof;

FIG. 3 is a rear elevational view thereof;

FIG. 4 is a top plan view thereof;

FIG. 5 is a bottom plan view thereof;

FIG. 6 is a left side elevational view thereof;

FIG. 7 is a right side elevational view thereof;

FIG. 8 is a cross-sectional view taken on line 8—8 of FIG. 2;

FIG. 9 is a cross-sectional view taken on line 9—9 of FIG. 2; and,

FIG. 10 is a perspective view thereof from the side opposite that shown in FIG. 1, showing the case open. The partial showing of the trapezoidal element in FIG. 10 is understood to have the same appearance as that trapezoidal element shown in the lower portion of the same figure.

[56] References Cited

U.S. PATENT DOCUMENTS

D. 223,085	3/1972	Zimmerman et al.	D3/35
D. 262,414	12/1981	Long et al.	D3/35
D. 279,328	6/1985	Shimmi et al.	D3/35
D. 314,989	2/1991	Hassel	D19/90
3,978,985	9/1976	Zinnbauer	206/387
4,428,482	1/1984	Ogawa	206/387
4,757,896	7/1988	Huko	206/387
4,863,026	9/1989	Perkowski	206/387
5,064,065	11/1991	Takahashi	206/387
5,097,952	3/1992	Katagiri	206/387

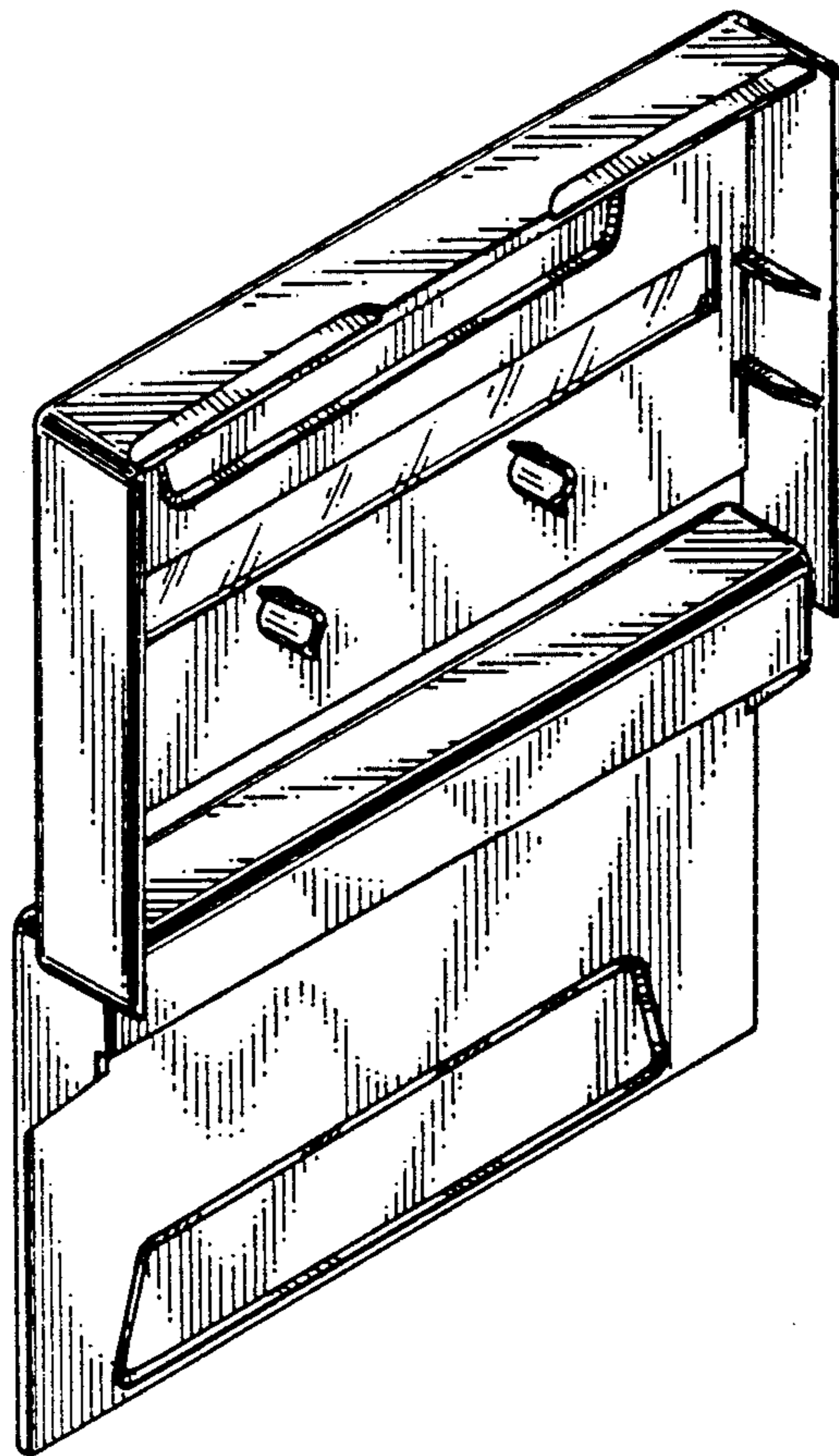


FIG. 1

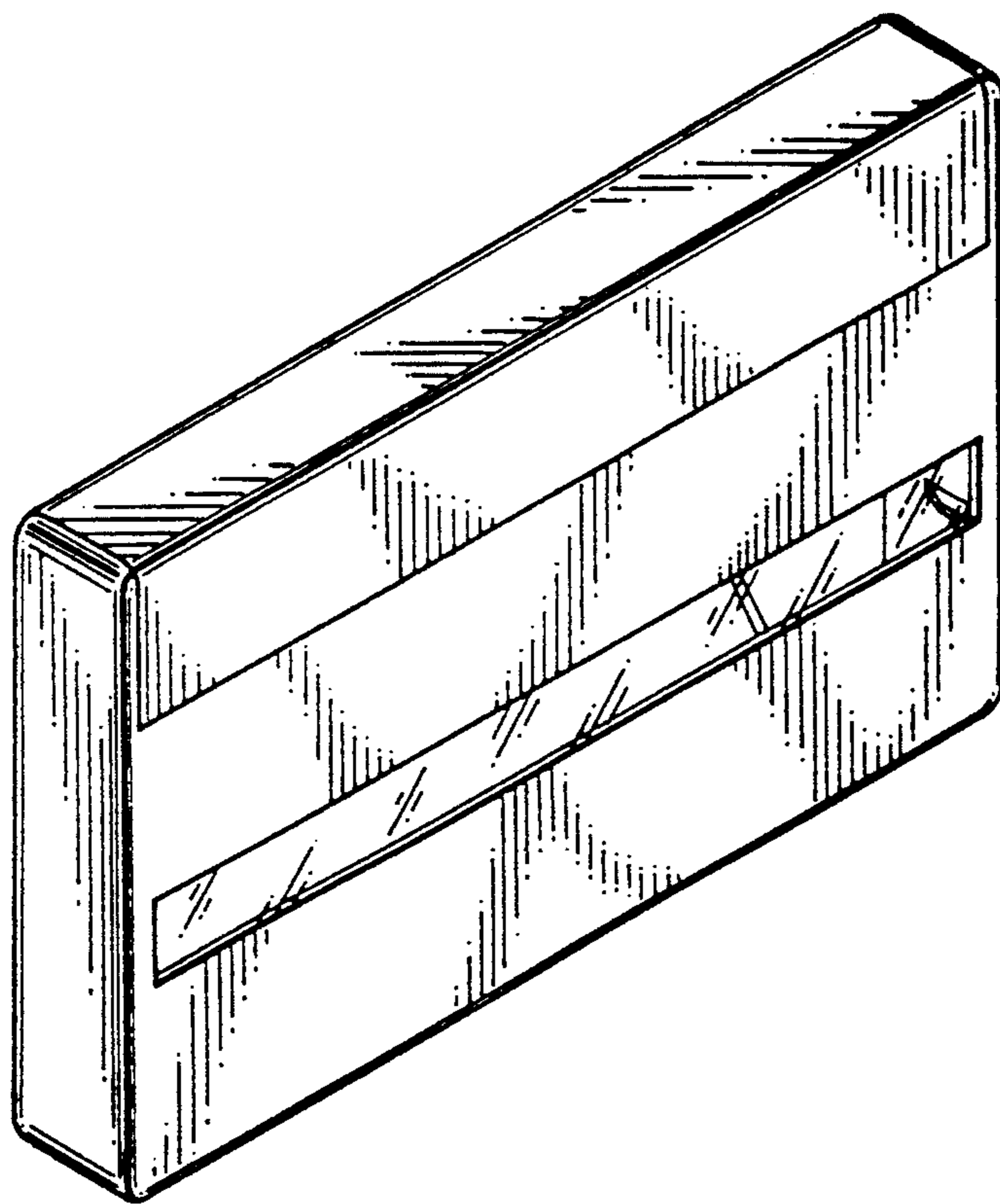


FIG. 2

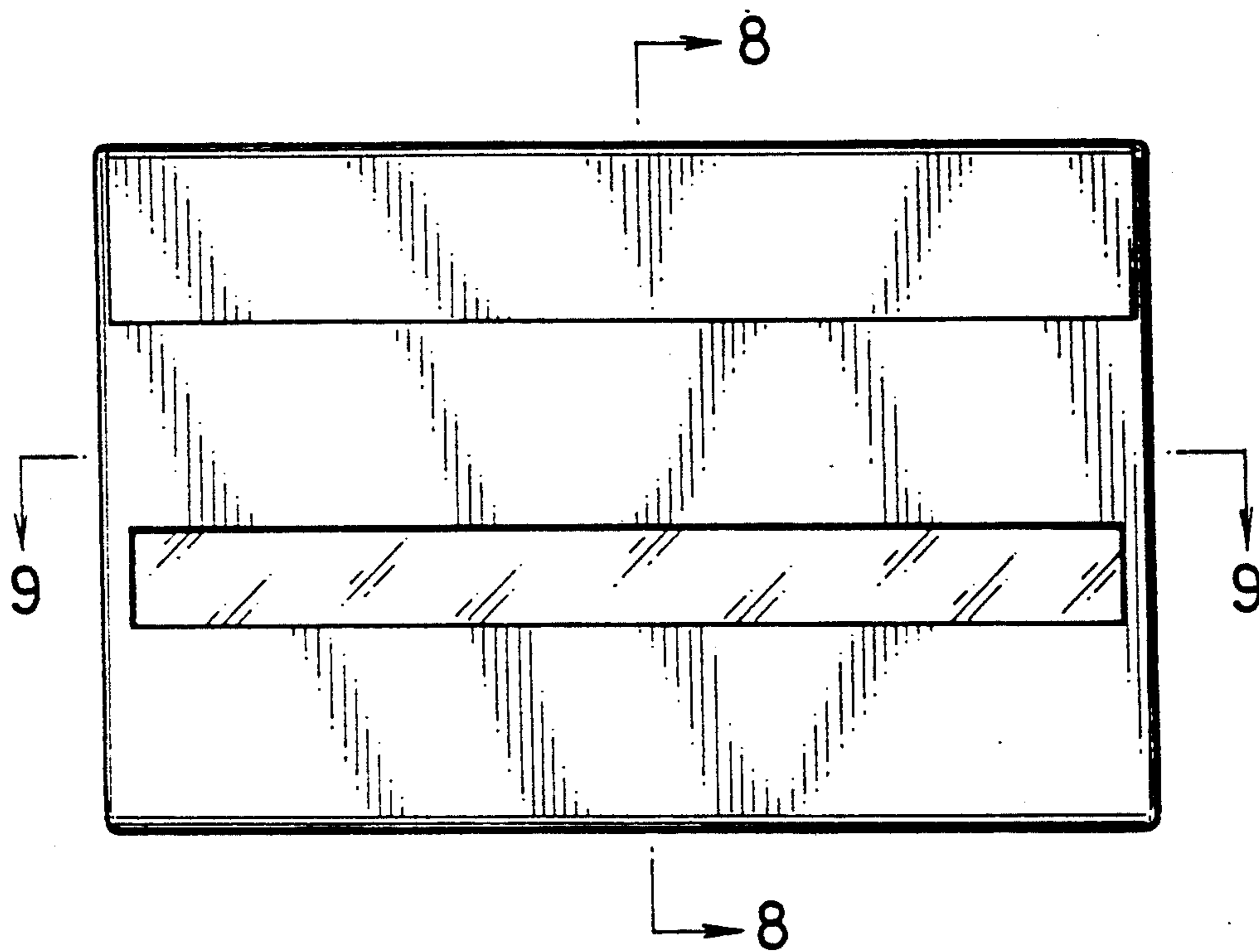


FIG. 3

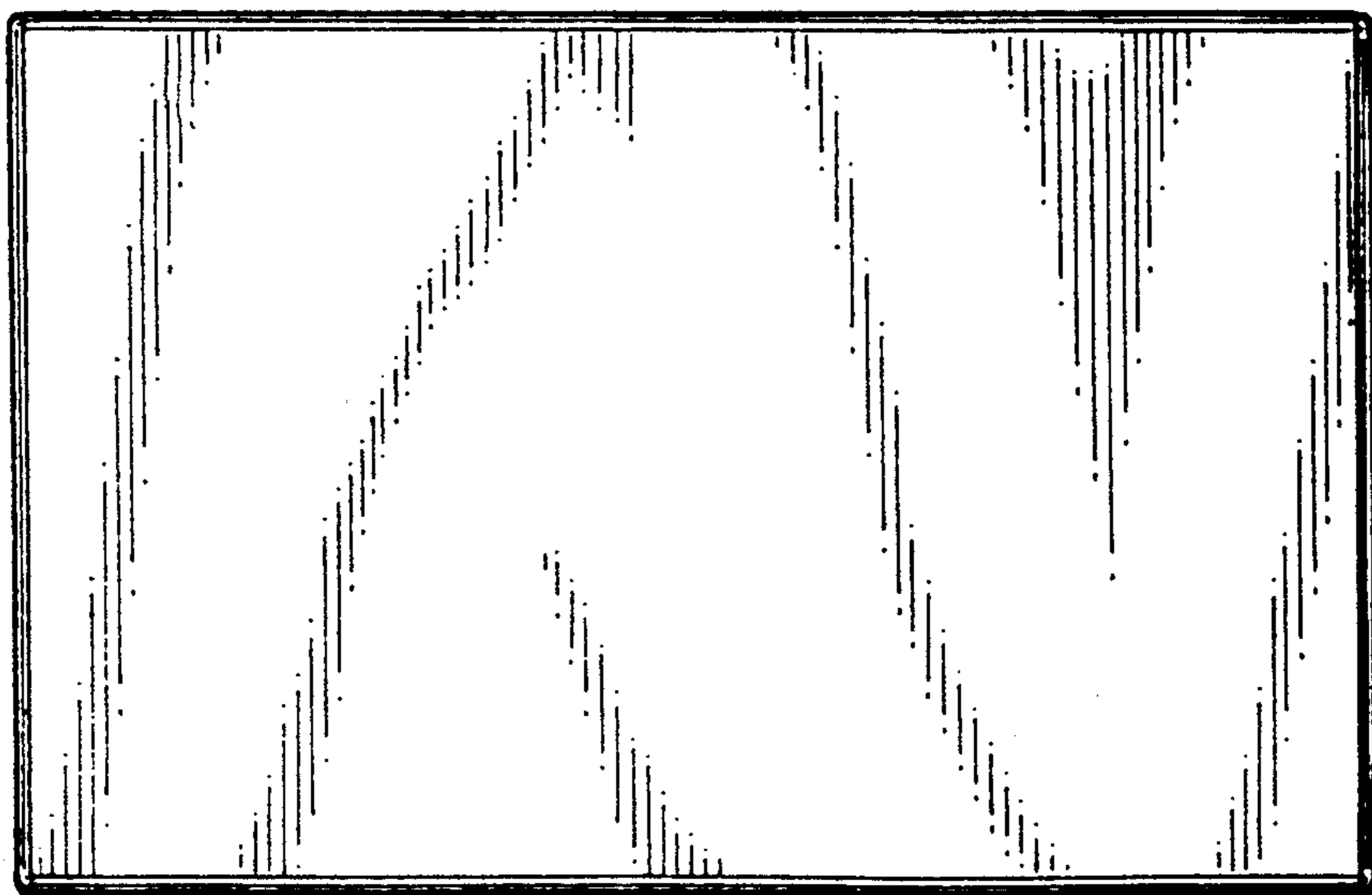


FIG. 4



FIG. 5

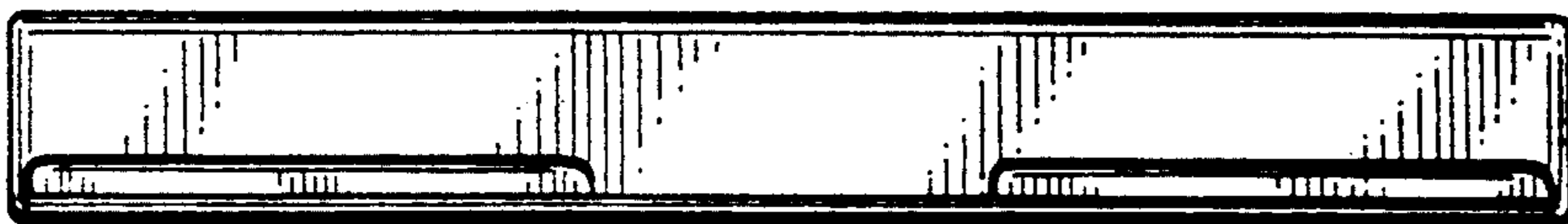


FIG. 6



FIG. 7

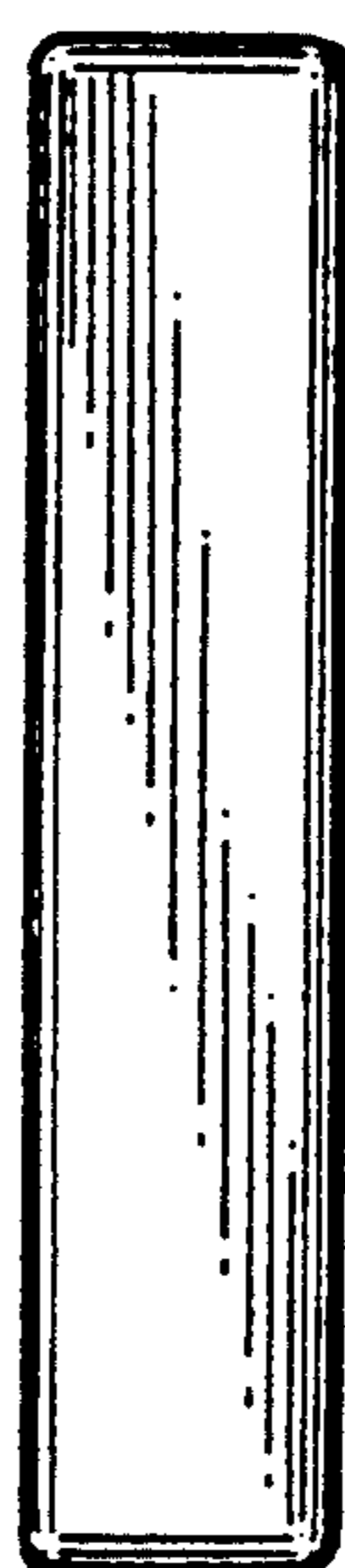


FIG. 8

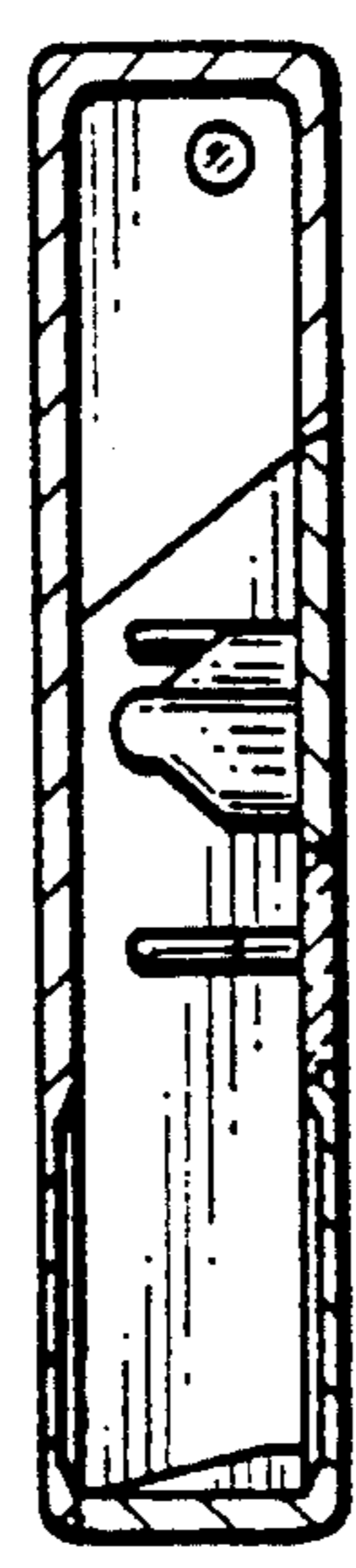


FIG. 9

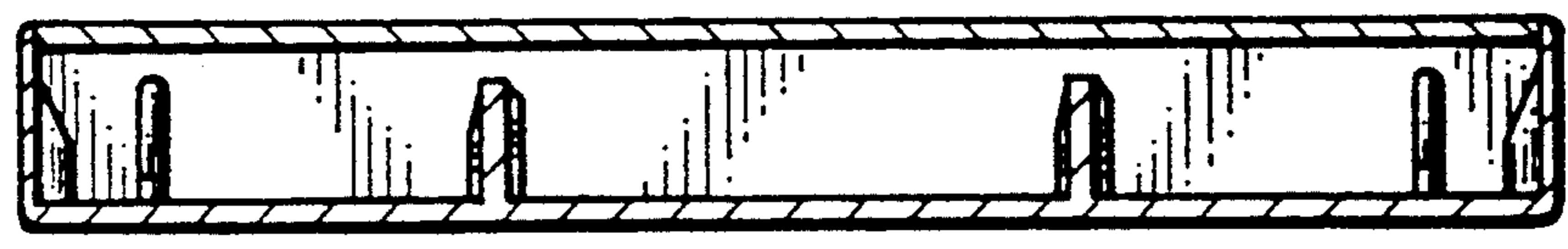


FIG. 10

