



US00D337191S

# United States Patent [19]

[11] Patent Number: **Des. 337,191**

**Ibrahim**

[45] Date of Patent: **\*\* Jul. 6, 1993**

[54] **FOUR WHEEL LUGGAGE CADDY**

4,407,521 10/1983 Zeitlin .

[76] Inventor: **Ahmed Ibrahim**, 14305 41st Ave.,  
Flushing, N.Y. 11355

### FOREIGN PATENT DOCUMENTS

623169 6/1927 France ..... 280/652

[\*\*] Term: **14 Years**

*Primary Examiner*—Kay H. Chin  
*Attorney, Agent, or Firm*—Terry M. Gernstein

[21] Appl. No.: **778,645**

### [57] CLAIM

[22] Filed: **Oct. 18, 1991**

The ornamental design for a four wheel luggage caddy,  
as shown and described.

[52] U.S. Cl. .... **D34/12; D34/17**

[58] Field of Search ..... **D34/12, 15, 17, 24,**  
**D34/25, 26; 280/652, 655, 47.27, 47.29, 47.19,**  
**47.24**

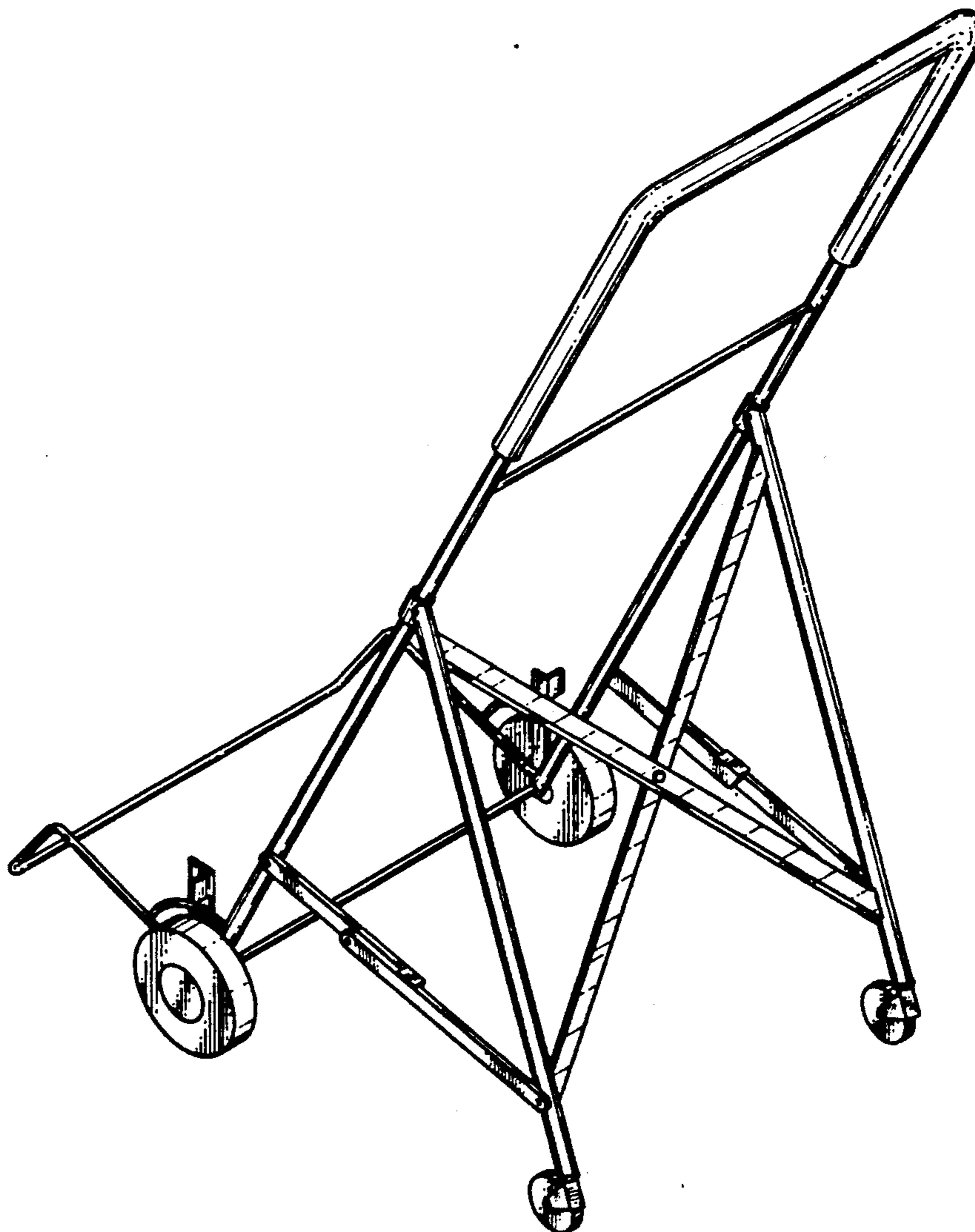
### DESCRIPTION

### [56] References Cited

#### U.S. PATENT DOCUMENTS

- 1,582,045 4/1926 Howe .
- 2,234,358 3/1941 Schray ..... 280/652
- 3,797,849 3/1974 Sherman .
- 4,286,796 9/1981 Esposito .

FIG. 1 is a perspective view of the four wheel luggage caddy embodying the design of the present invention; FIG. 2 is a front elevational view thereof; FIG. 3 is a rear elevational view thereof; FIG. 4 is a side elevational view thereof; FIG. 5 is a side elevational view thereof; FIG. 6 is a top plan view thereof; and, FIG. 7 is a bottom plan view thereof.



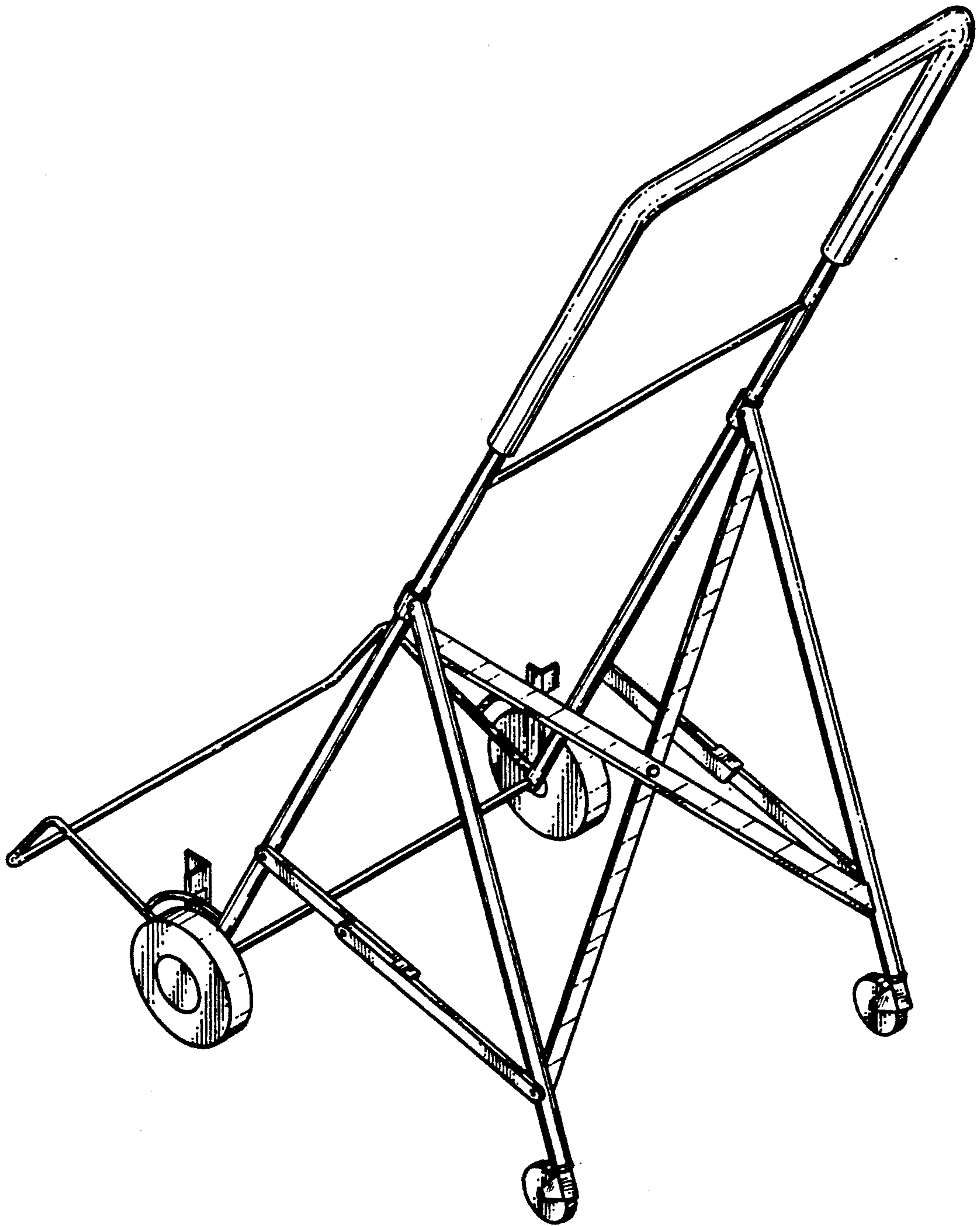


FIG. 1

FIG. 2

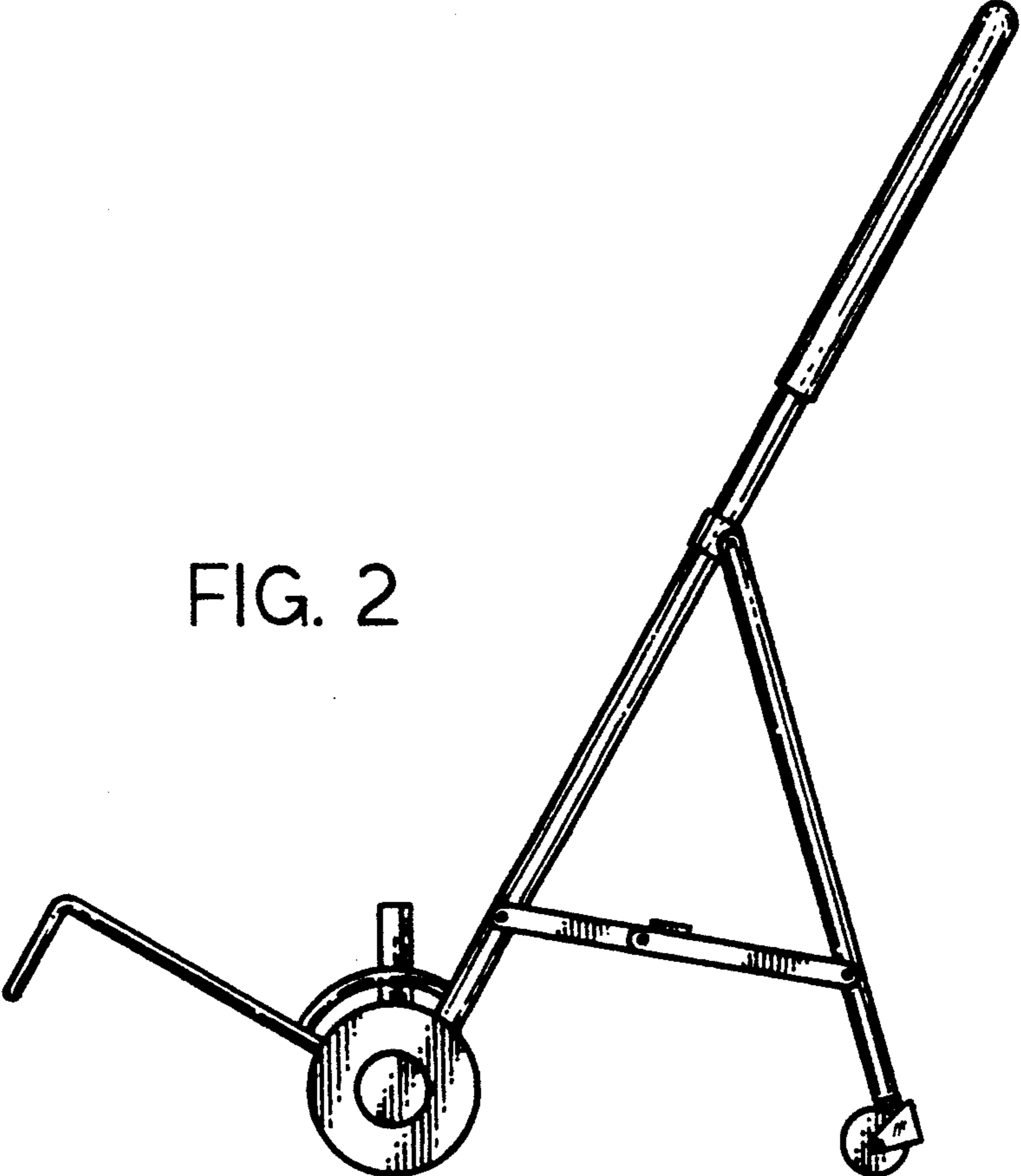


FIG. 3

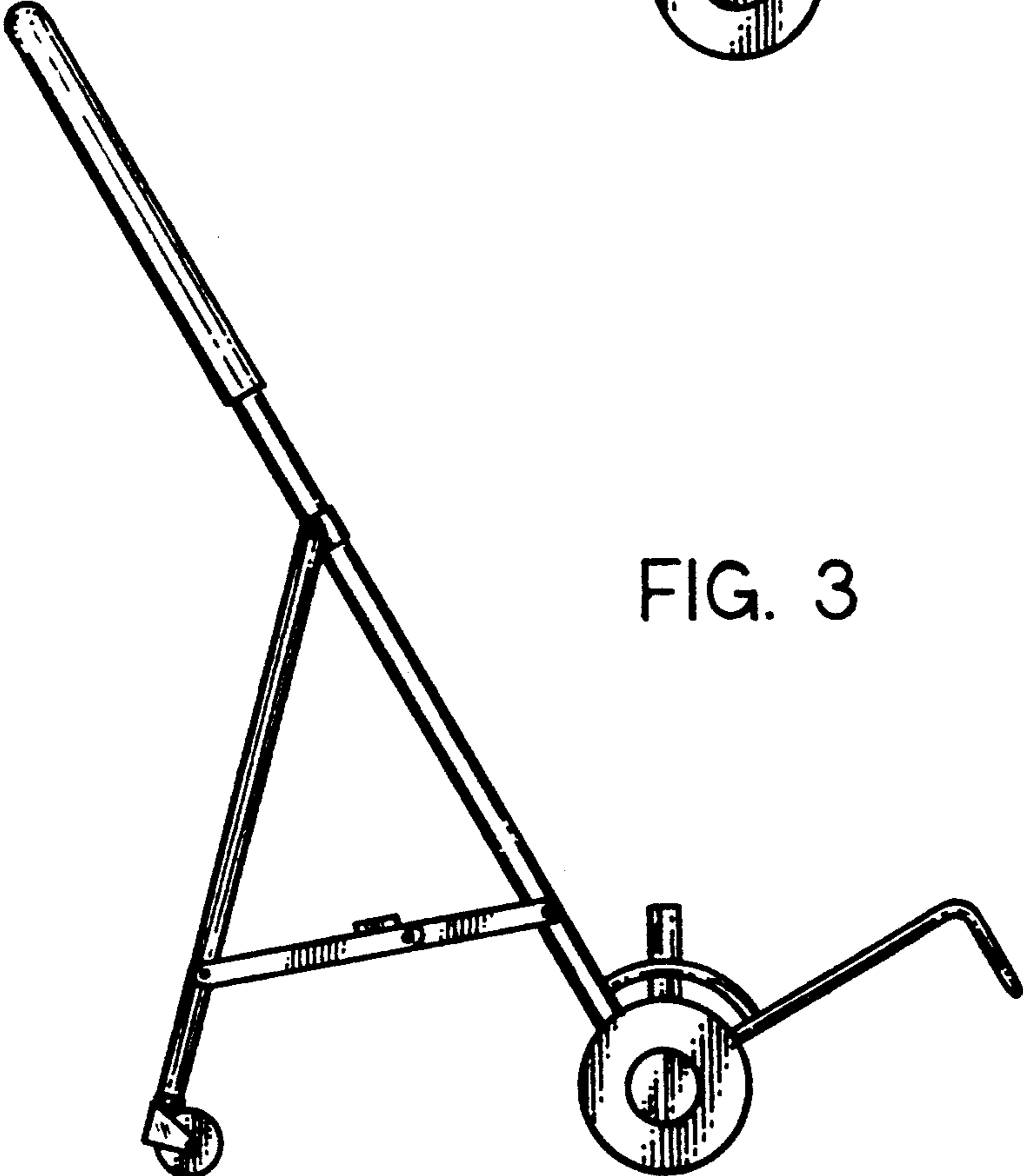


FIG. 4

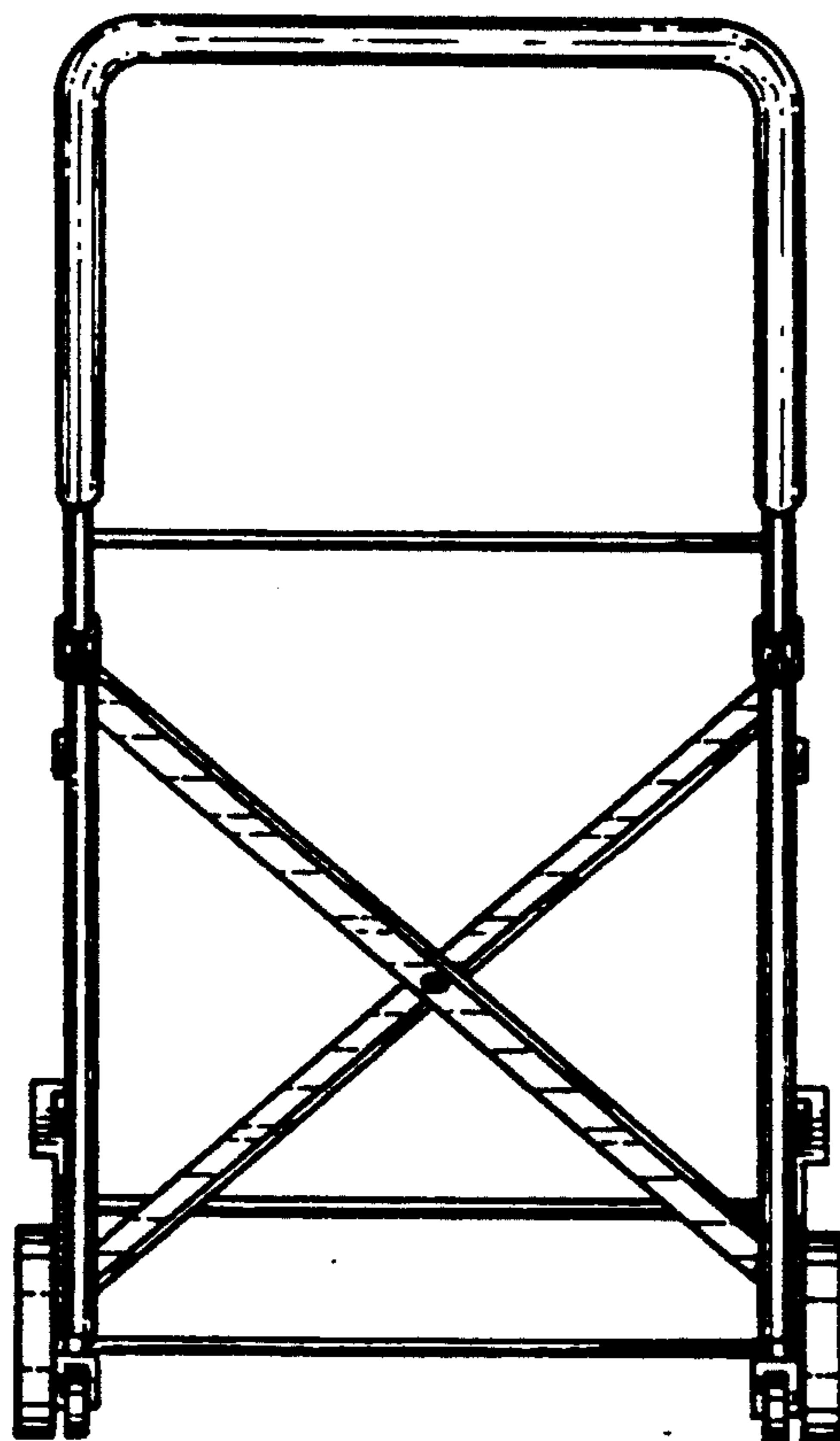
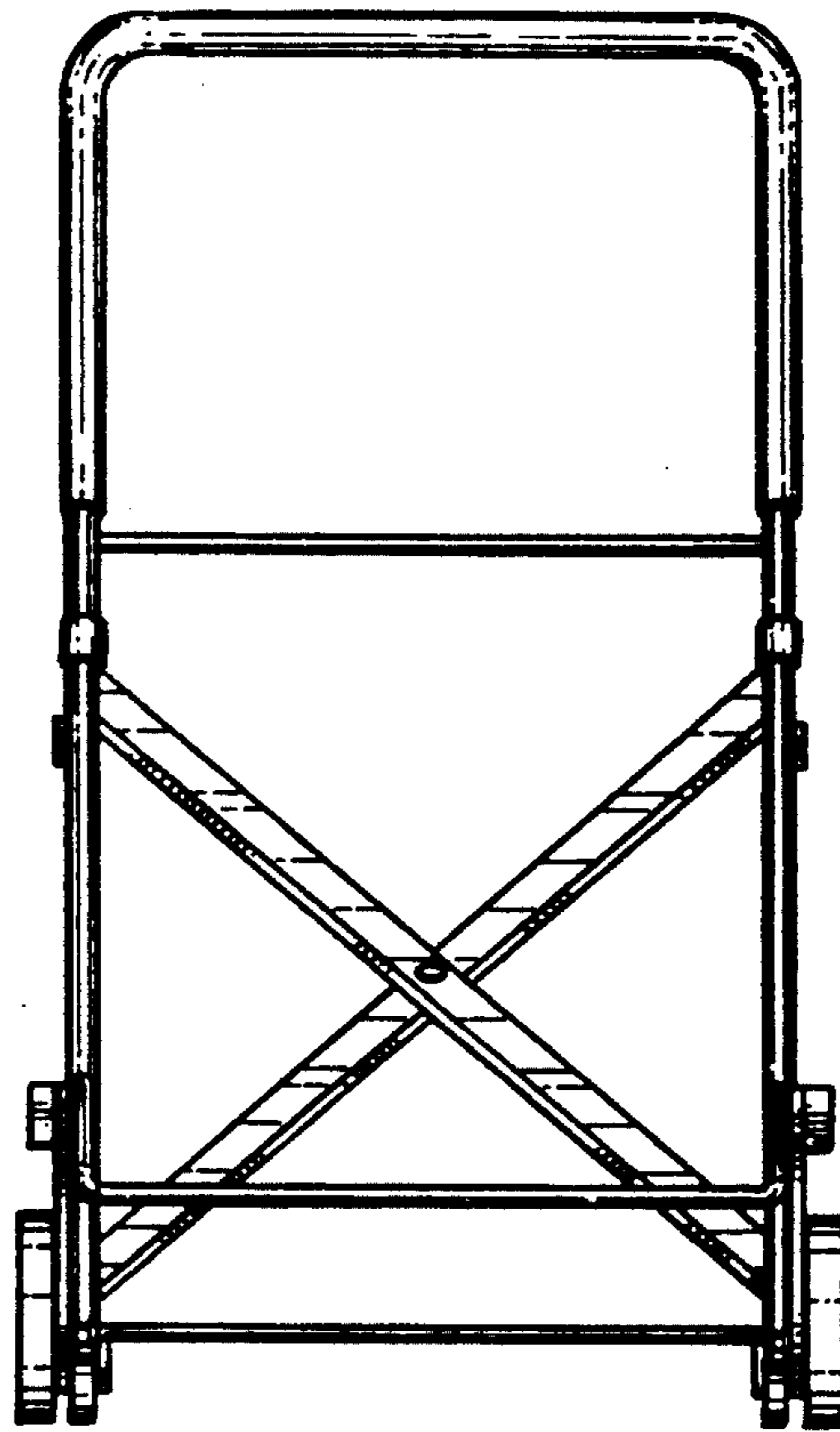


FIG. 5

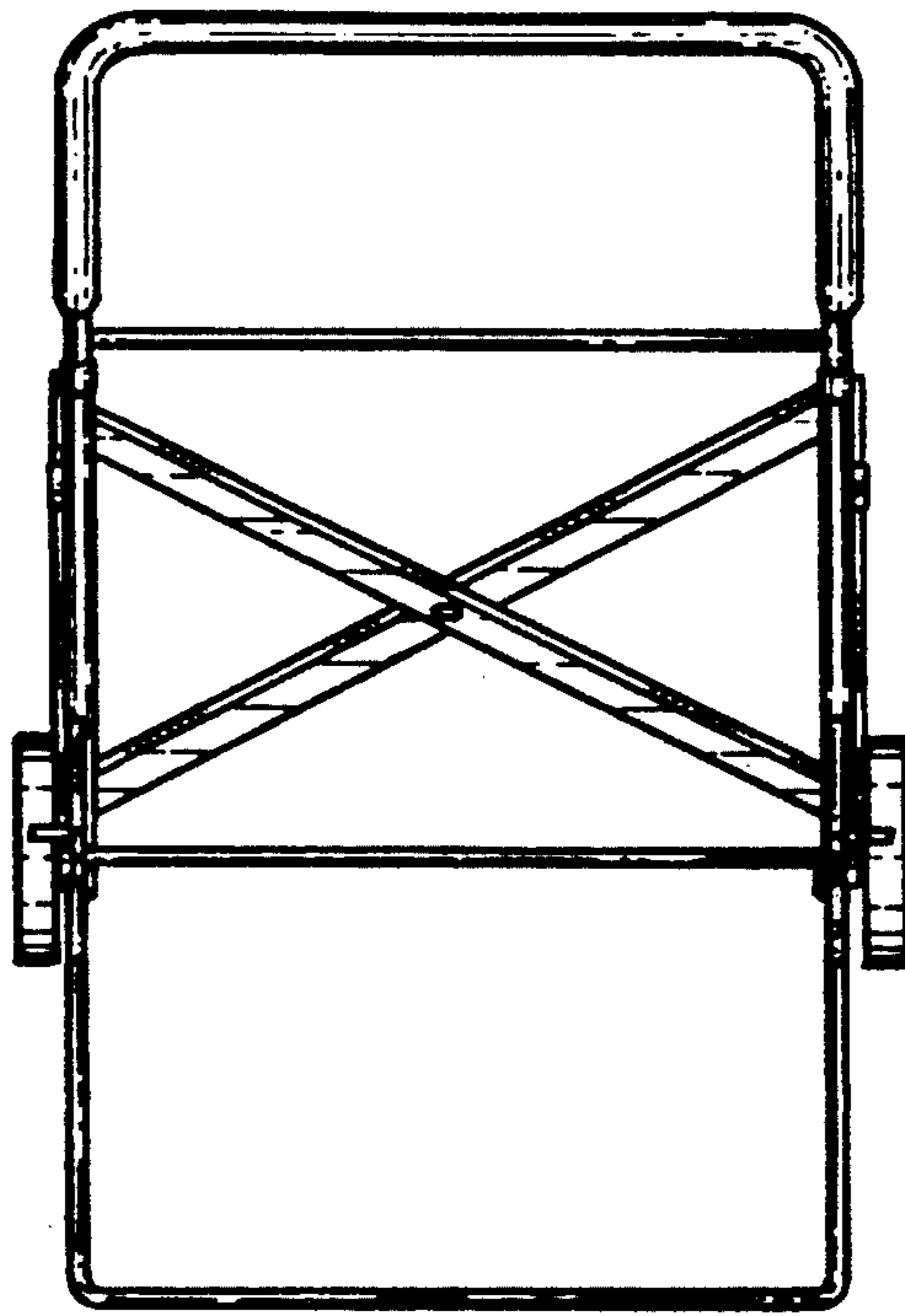


FIG. 6

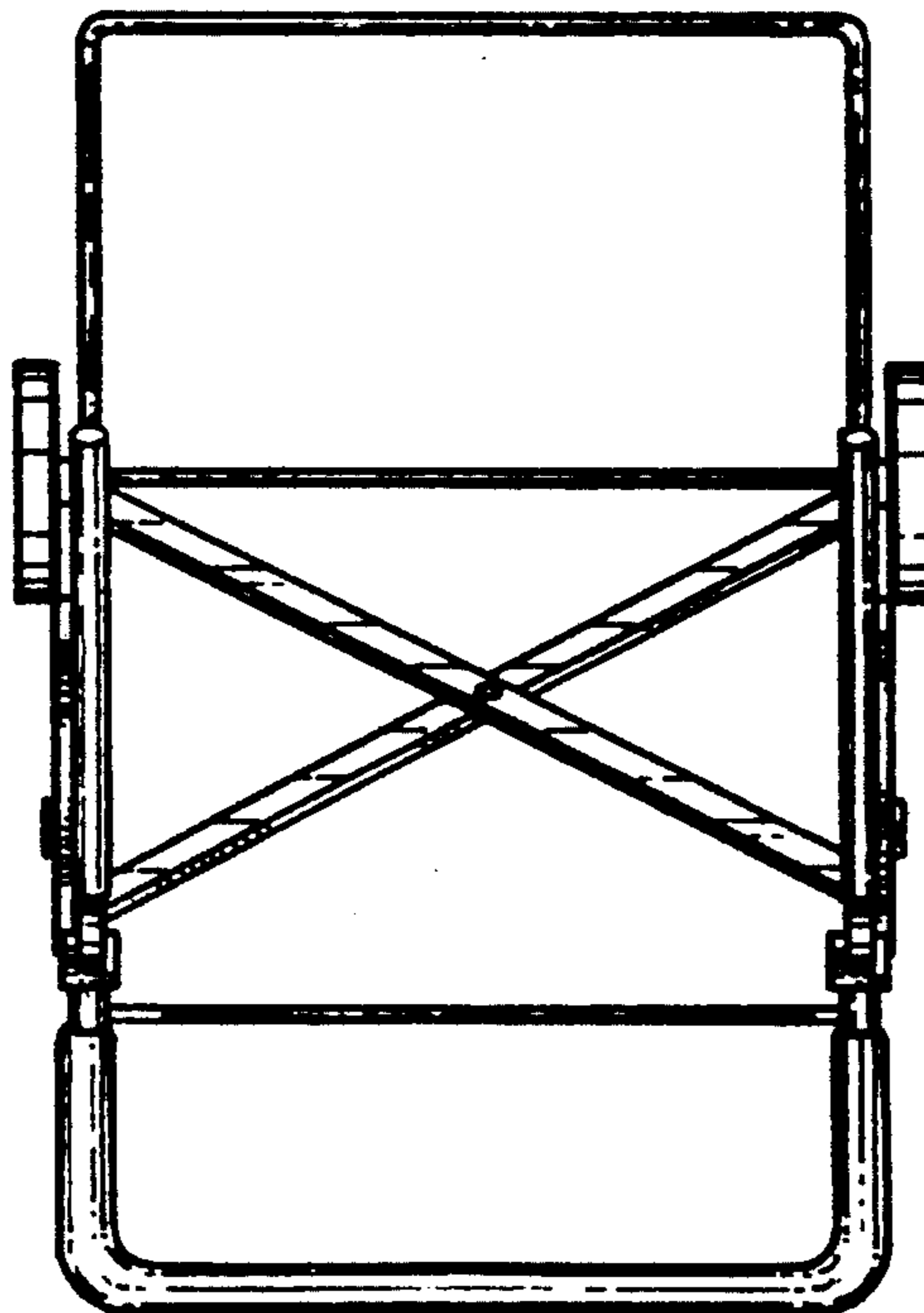


FIG. 7