



US00D337190S

# United States Patent [19]

[11] Patent Number: Des. 337,190

Juergens

[45] Date of Patent: \*\* Jul. 6, 1993

[54] FUNNEL LID FOR TRASH CONTAINER

[75] Inventor: David A. Juergens, Winchester, Va.

[73] Assignee: Rubbermaid Commercial Products Inc., Winchester, Va.

[\*\*] Term: 14 Years

[21] Appl. No.: 784,028

[22] Filed: Oct. 29, 1991

[52] U.S. Cl. .... D34/11; D34/10

[58] Field of Search ..... D34/1, 7, 8, 9, 10, D34/11; 220/908, 335, 30; 232/43.2, 1 R

### [56] References Cited

#### U.S. PATENT DOCUMENTS

- D. 246,566 12/1977 Skiver ..... D7/194
- D. 281,111 10/1985 McClelland ..... D34/1
- D. 315,626 3/1991 Delmerico ..... D34/5
- D. 319,128 8/1991 Delmerico ..... D34/11
- 3,083,859 4/1963 Gardiner ..... 220/30
- 3,482,730 12/1969 Podwalny ..... 220/31

#### OTHER PUBLICATIONS

Sell Sheet, Trash Container, Bennett Manufacturing, street address unknown, Alden, N.Y. 14004. Publication date 1981.

Page 26, Containers, Rubbermaid Commercial Prod-

ucts Inc., 3124 Valley Avenue, Winchester, Va. 22601. Publication date 1989.

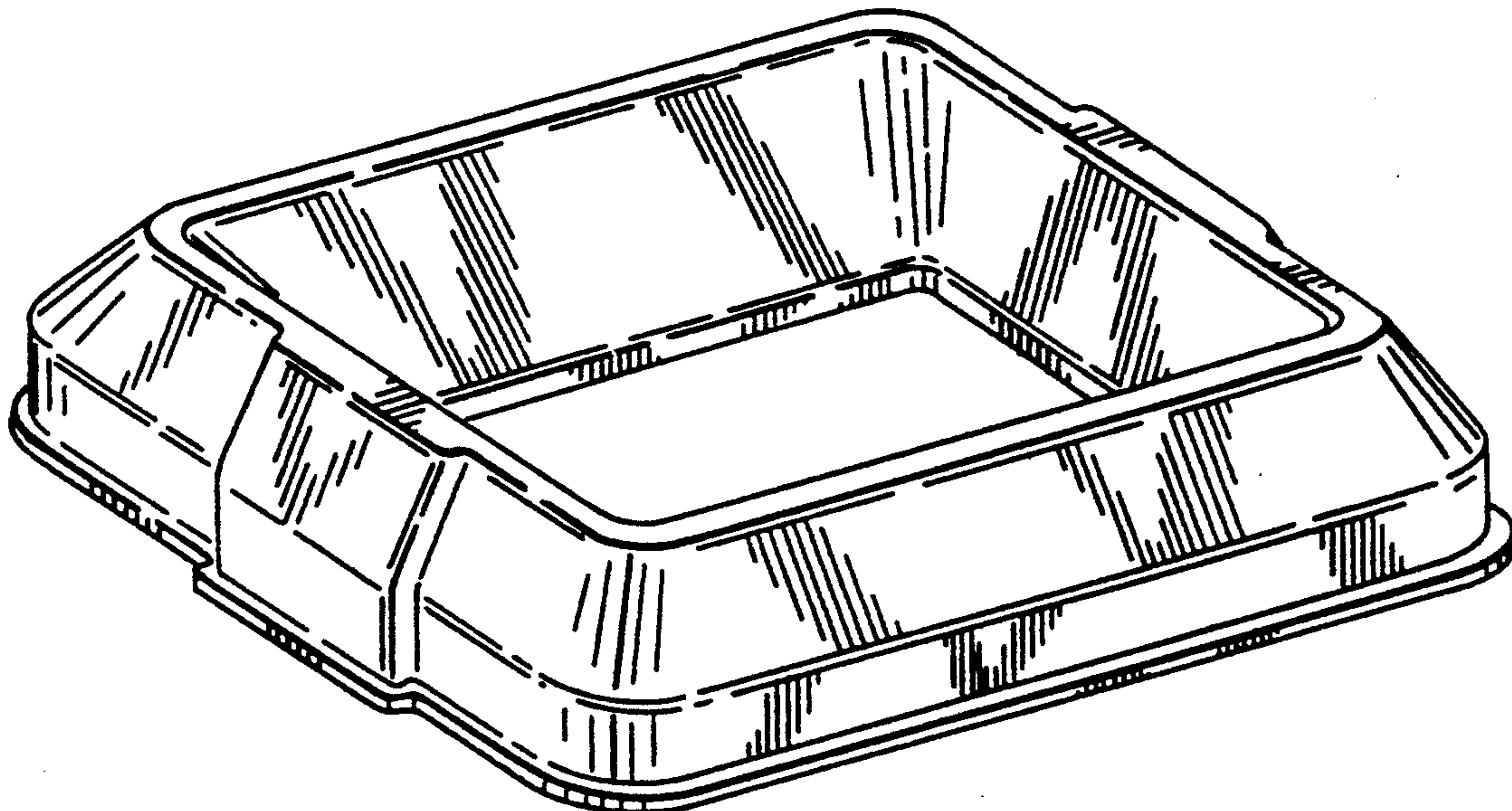
Primary Examiner—Kay H. Chin  
Attorney, Agent, or Firm—Richard B. O'Planick

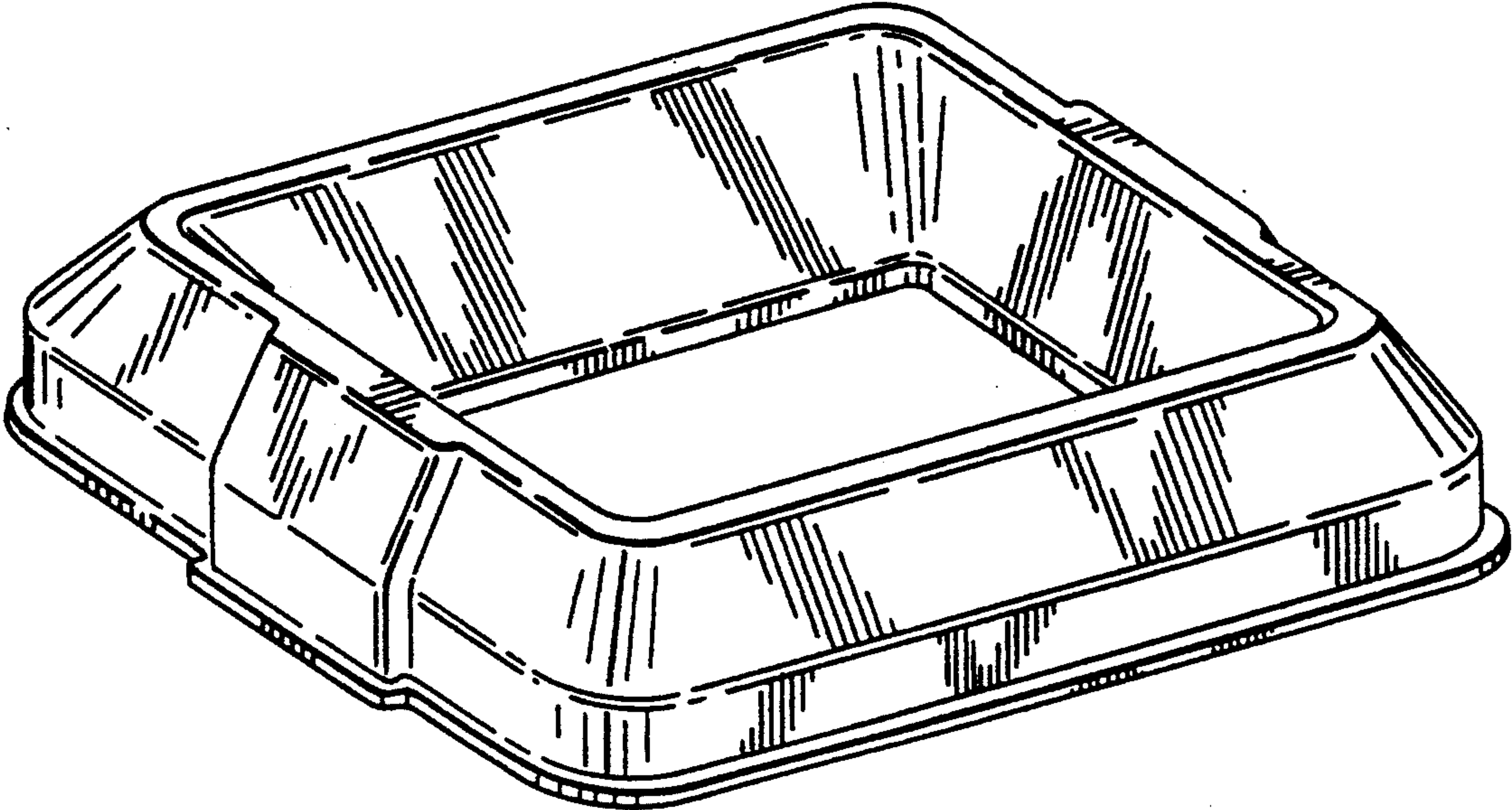
### [57] CLAIM

The ornamental design for a funnel lid for trash container, as shown and described.

### DESCRIPTION

FIG. 1 is a top left front perspective view of a funnel lid for trash container showing my new design;  
 FIG. 2 is a front elevational view thereof; the rear elevational view being a mirror image;  
 FIG. 3 is a right side elevational view thereof; the opposite side being a mirror image;  
 FIG. 4 is a top plan view thereof;  
 FIG. 5 is a bottom plan view thereof;  
 FIG. 6 is a top, left and front perspective view of a second embodiment of the funnel lid for trash container;  
 FIG. 7 is a front elevational view of FIG. 6, the rear elevational view being a mirror image;  
 FIG. 8 is a side elevational view of FIG. 6, the opposite side view being a mirror image;  
 FIG. 9 is a top plan view of FIG. 6; and,  
 FIG. 10 is a bottom plan view of FIG. 6.





*FIG. 1*

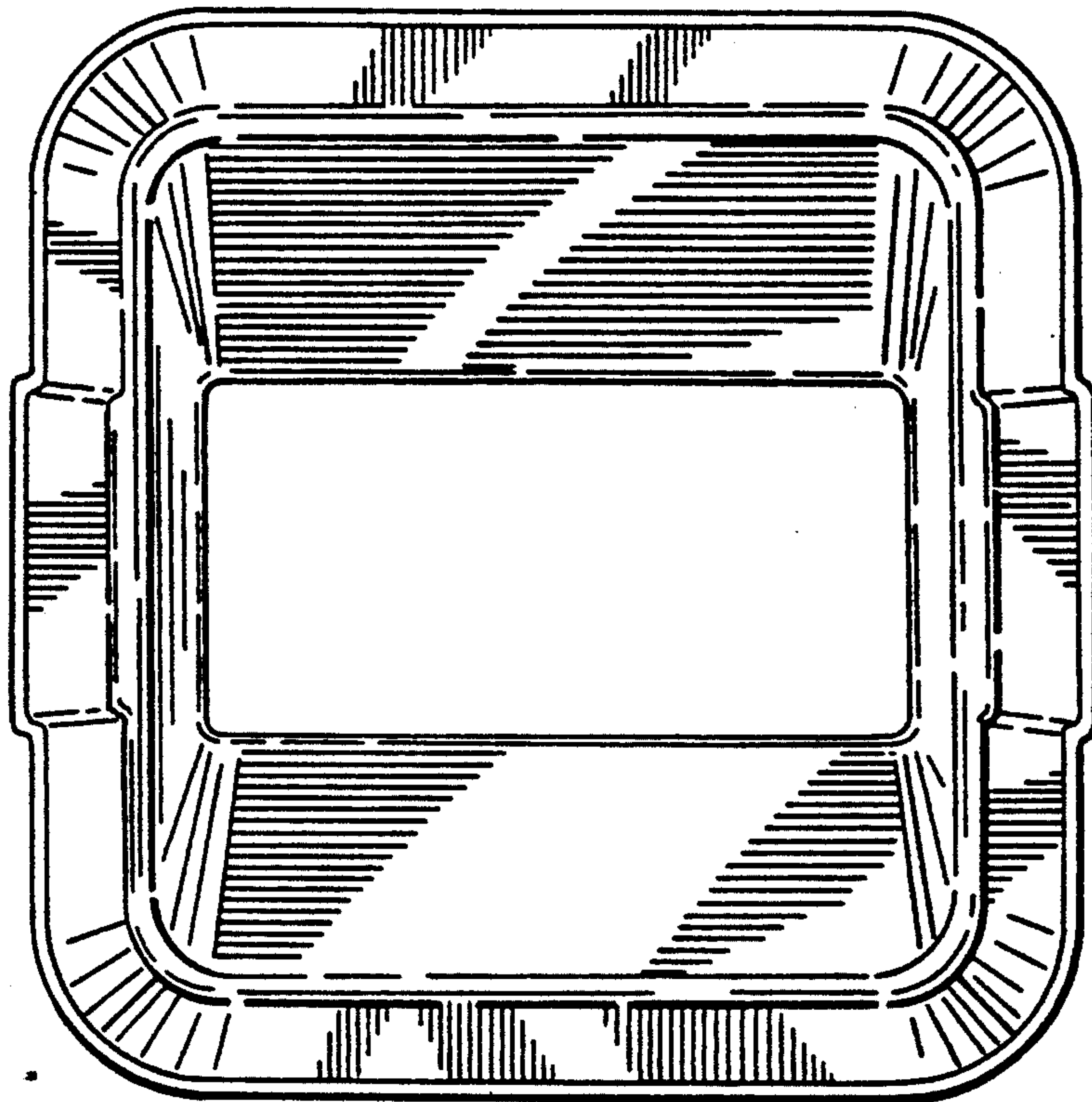


*FIG. 2*

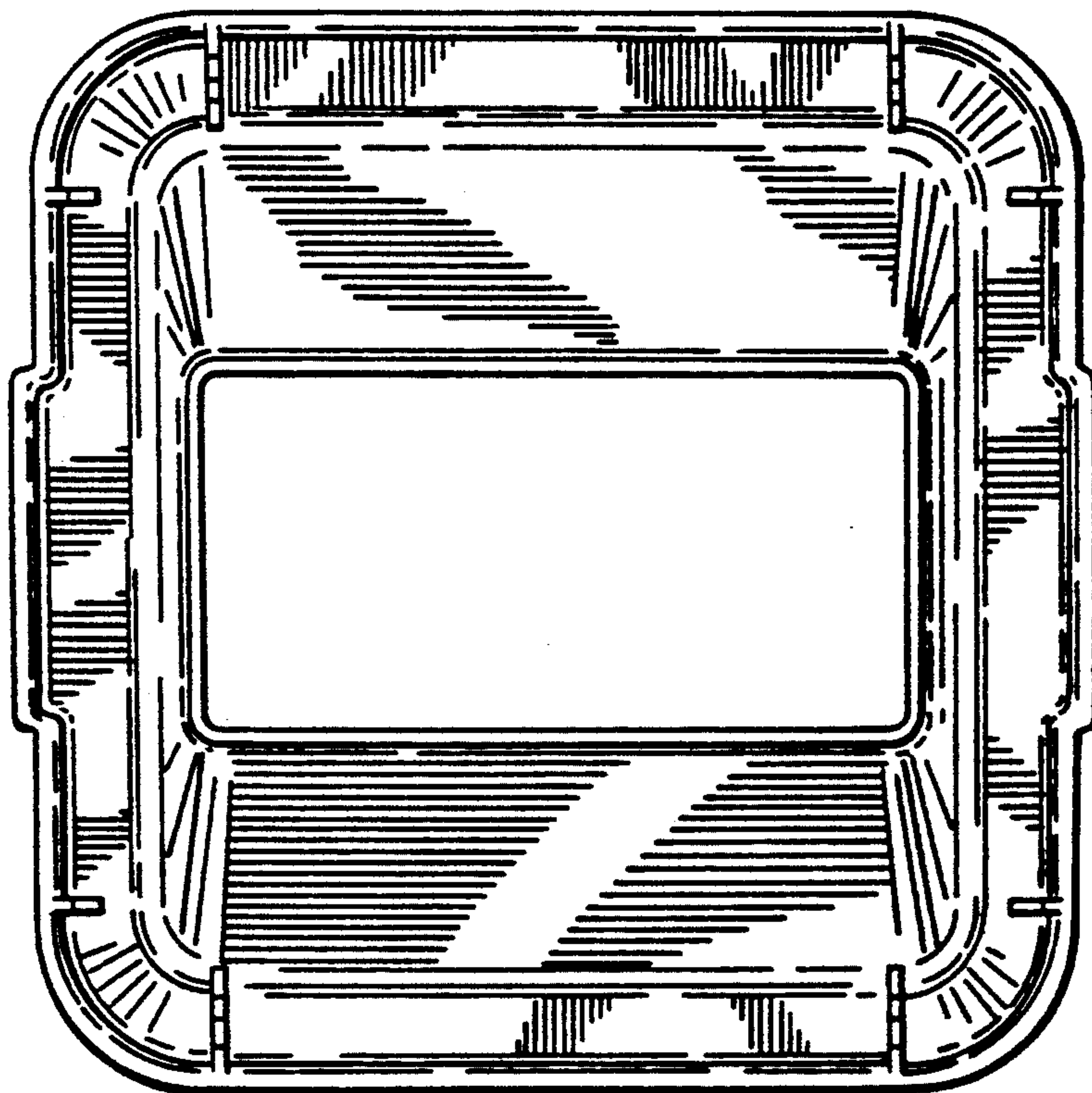


*FIG. 3*

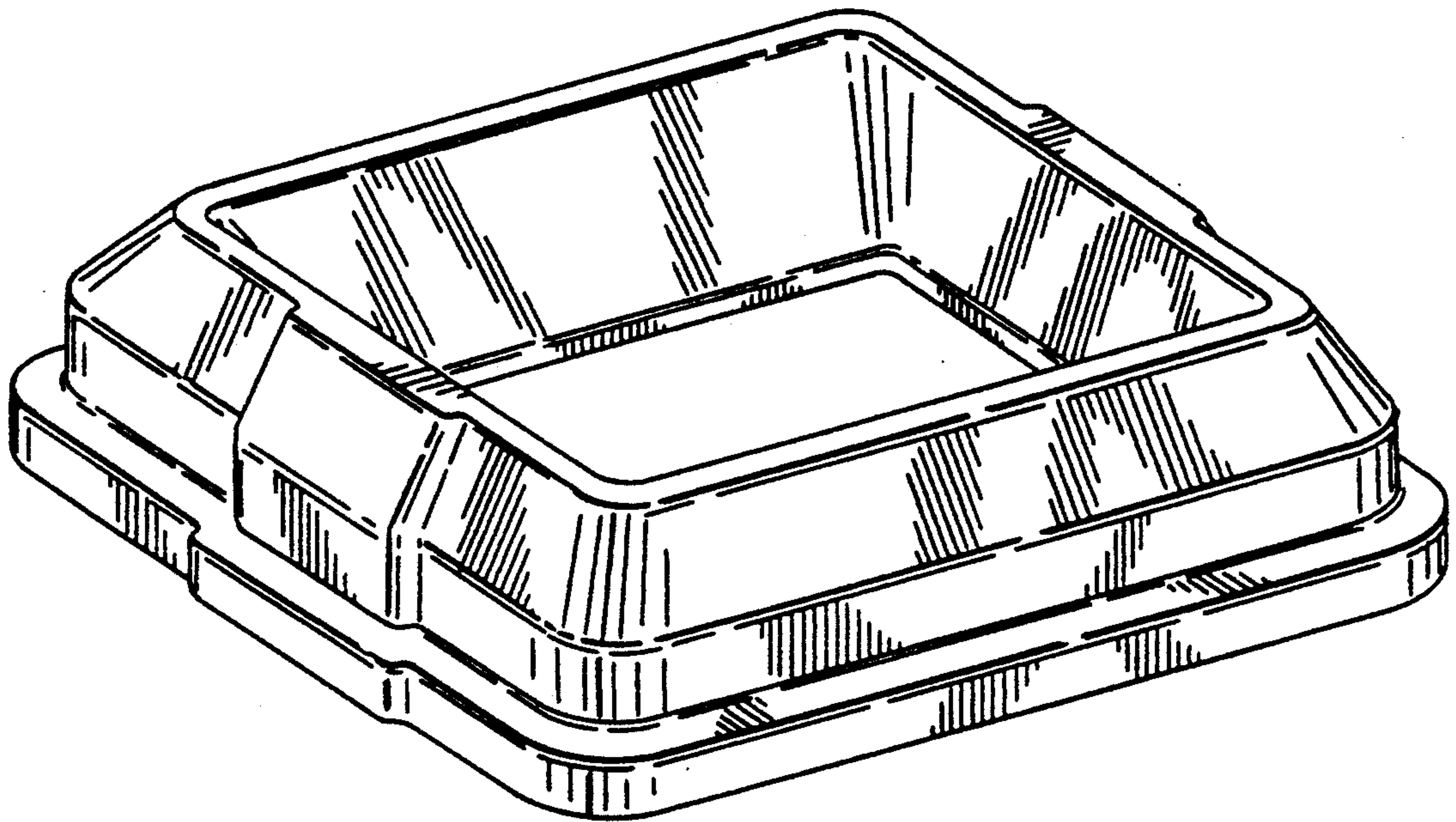




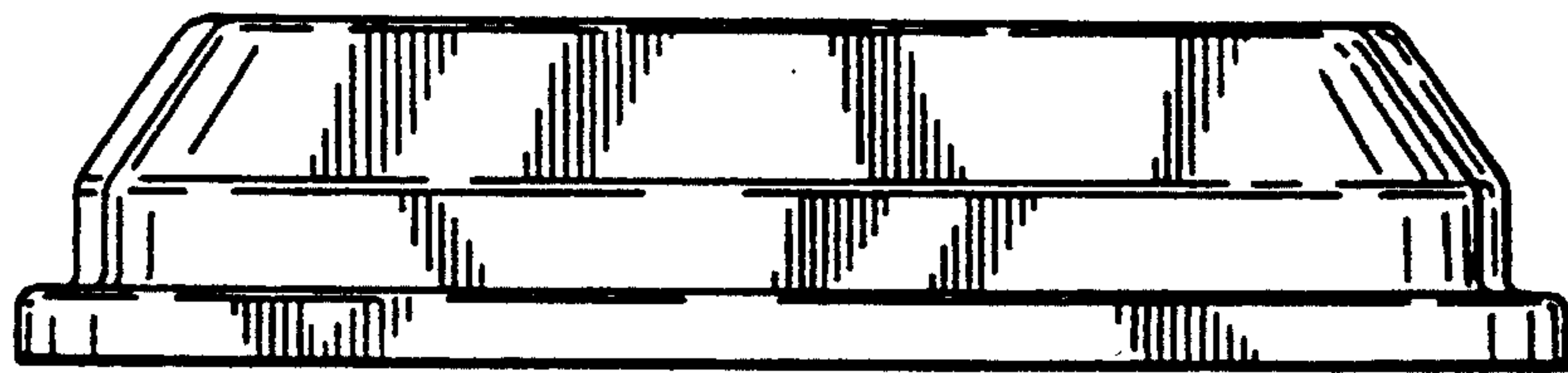
*FIG. 4*



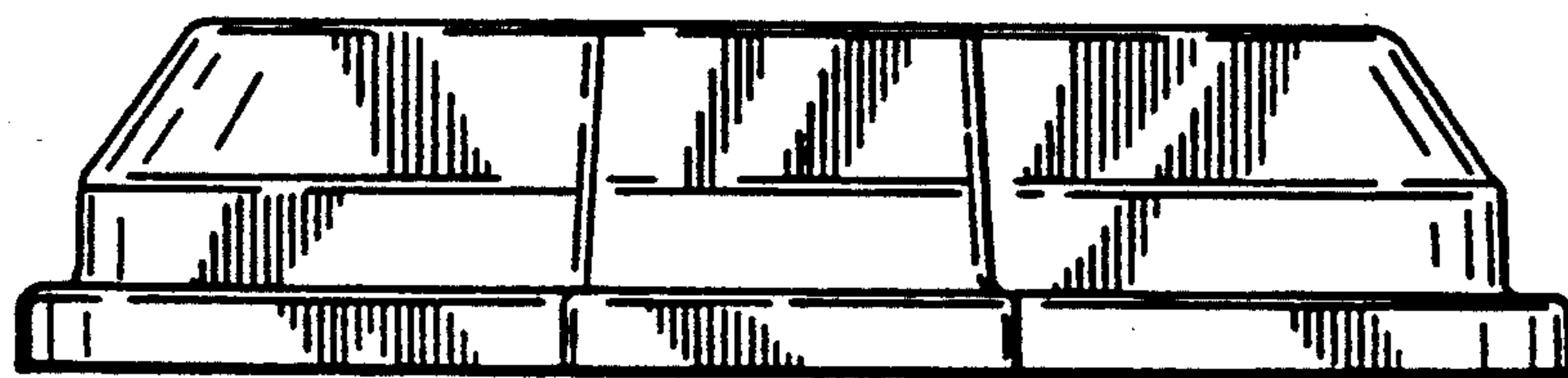
*FIG. 5*



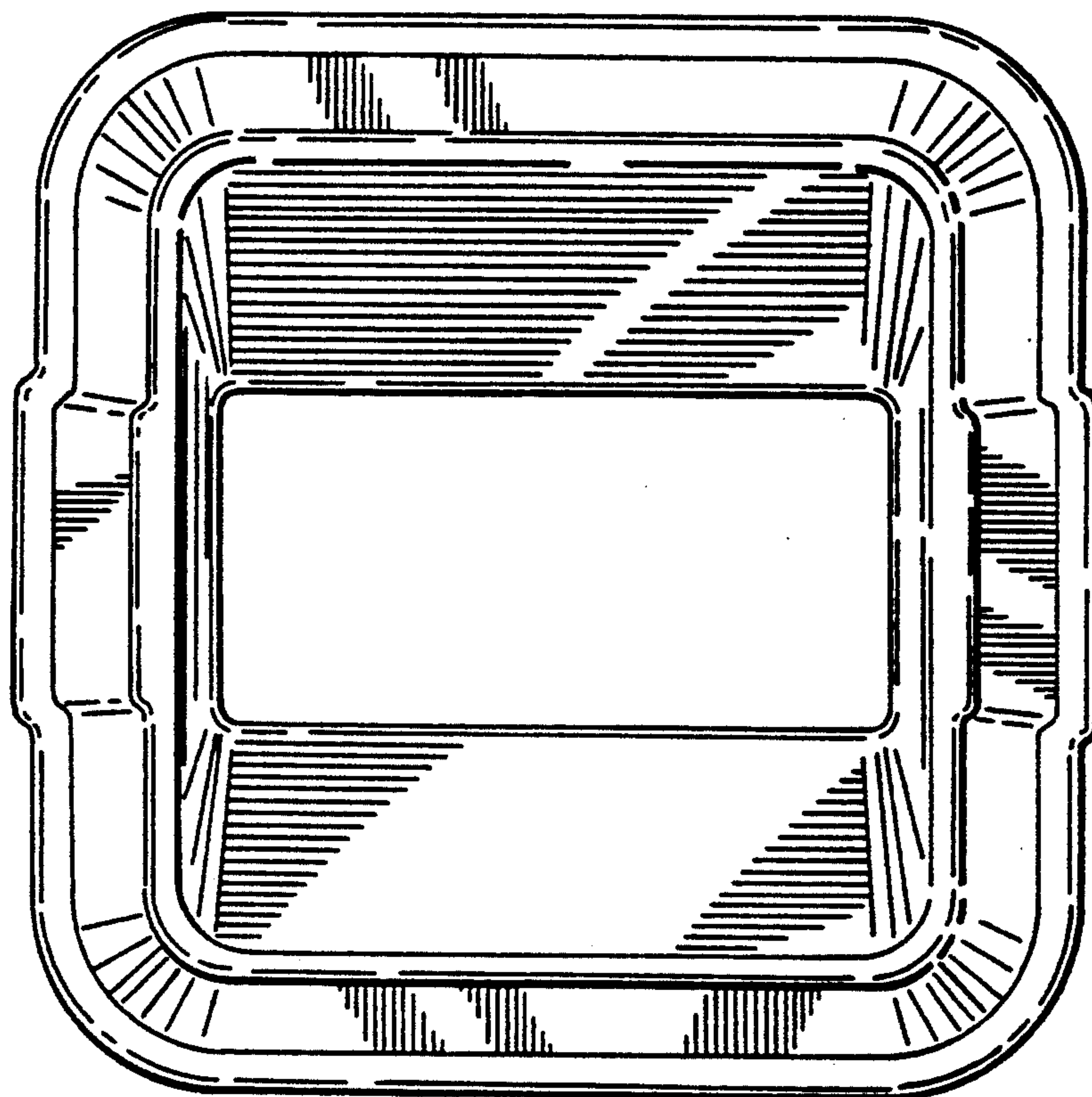
*FIG. 6*



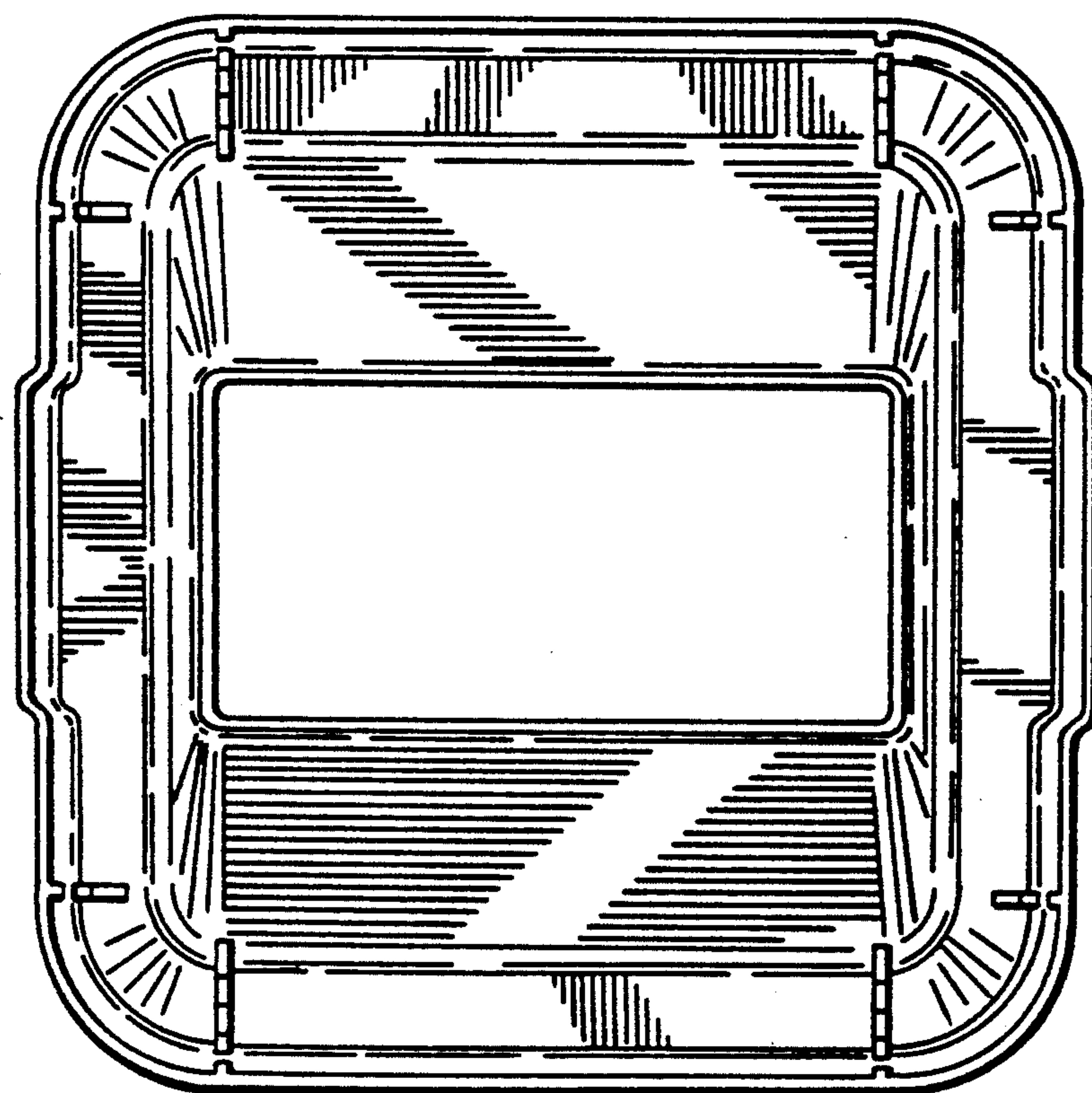
*FIG. 7*



*FIG. 8*



*FIG. 9*



*FIG. 10*