



US00D337183S

# United States Patent [19]

[11] Patent Number: **Des. 337,183**

Rozitis

[45] Date of Patent: **\*\* Jul. 6, 1993**

[54] **CAR DRYER**

4,325,163 4/1982 Mattson .

[76] Inventor: **Ansis Rozitis**, 1200 Worthmore Ave., Elkhart, Ind. 46514

4,805,255 2/1989 Hed ..... 15/314

[\*\*] Term: **14 Years**

*Primary Examiner*—A. Hugo Word  
*Assistant Examiner*—Ruth McInroy  
*Attorney, Agent, or Firm*—Terry M. Gernstein

[21] Appl. No.: **520,392**

[57] **CLAIM**

[22] Filed: **May 8, 1990**

The ornamental design for a car dryer, as shown and described.

[52] U.S. Cl. .... **D32/4**

[58] Field of Search ..... **D32/1, 4, 21; 34/243 C, 34/243 R; 15/53.1, 301, 314, DIG. 2, DIG. 7**

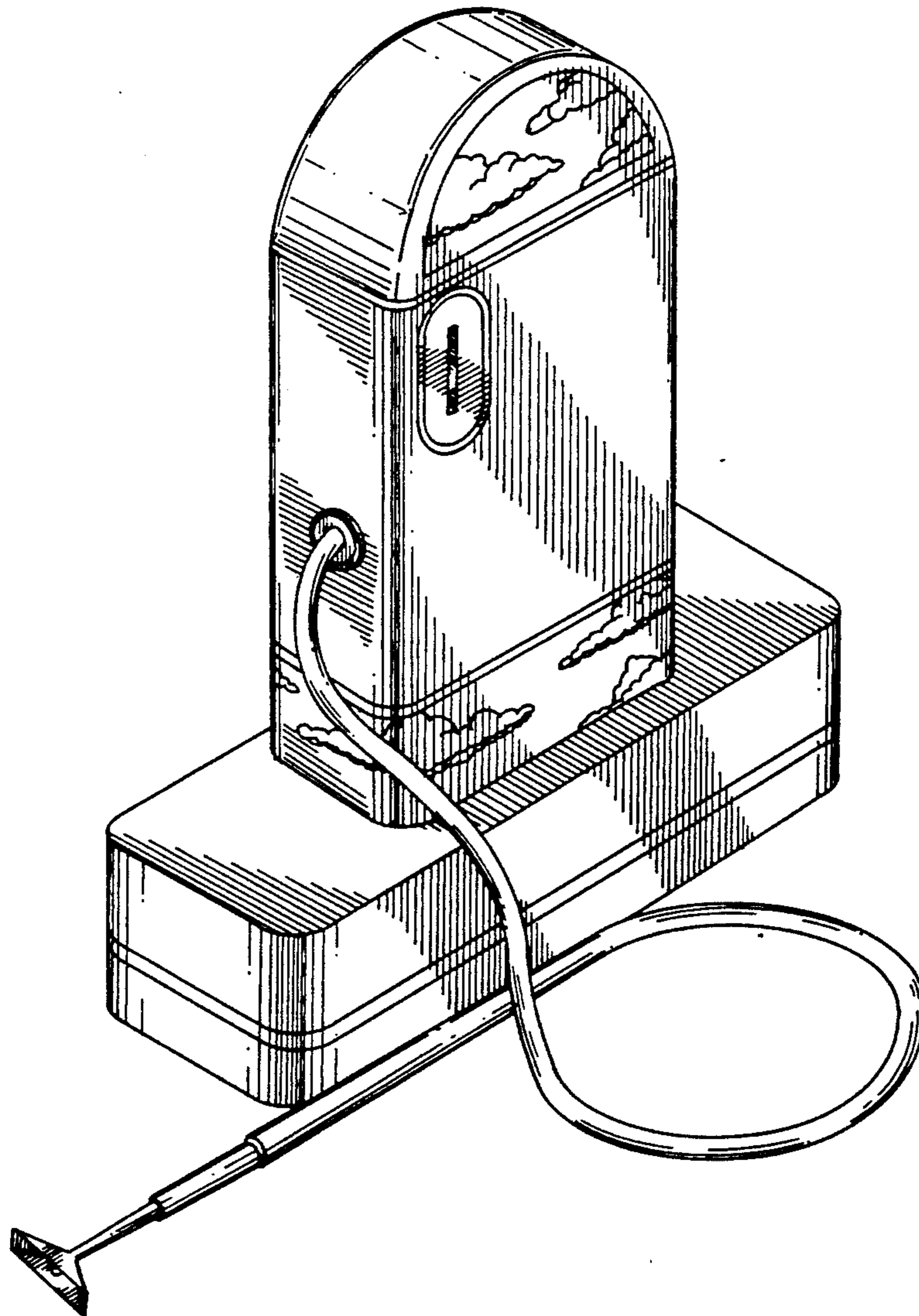
### DESCRIPTION

[56] **References Cited**

FIG. 1 is a front perspective view of a car dryer showing my new design;  
FIG. 2 is a front elevational view thereof;  
FIG. 3 is a rear elevational view thereof;  
FIG. 4 is a right side elevational view thereof;  
FIG. 5 is a left side elevational view thereof; and,  
FIG. 6 is a top plan view thereof.  
The undisclosed bottom view is flat and unornamented.

### U.S. PATENT DOCUMENTS

- D. 263,547 3/1982 Carsello .
- D. 302,612 8/1989 Duran et al. .... D32/4
- 4,194,262 3/1980 Finley et al. .... 15/314
- 4,202,070 5/1980 Harfst ..... 15/314
- 4,288,886 9/1981 Siegler .



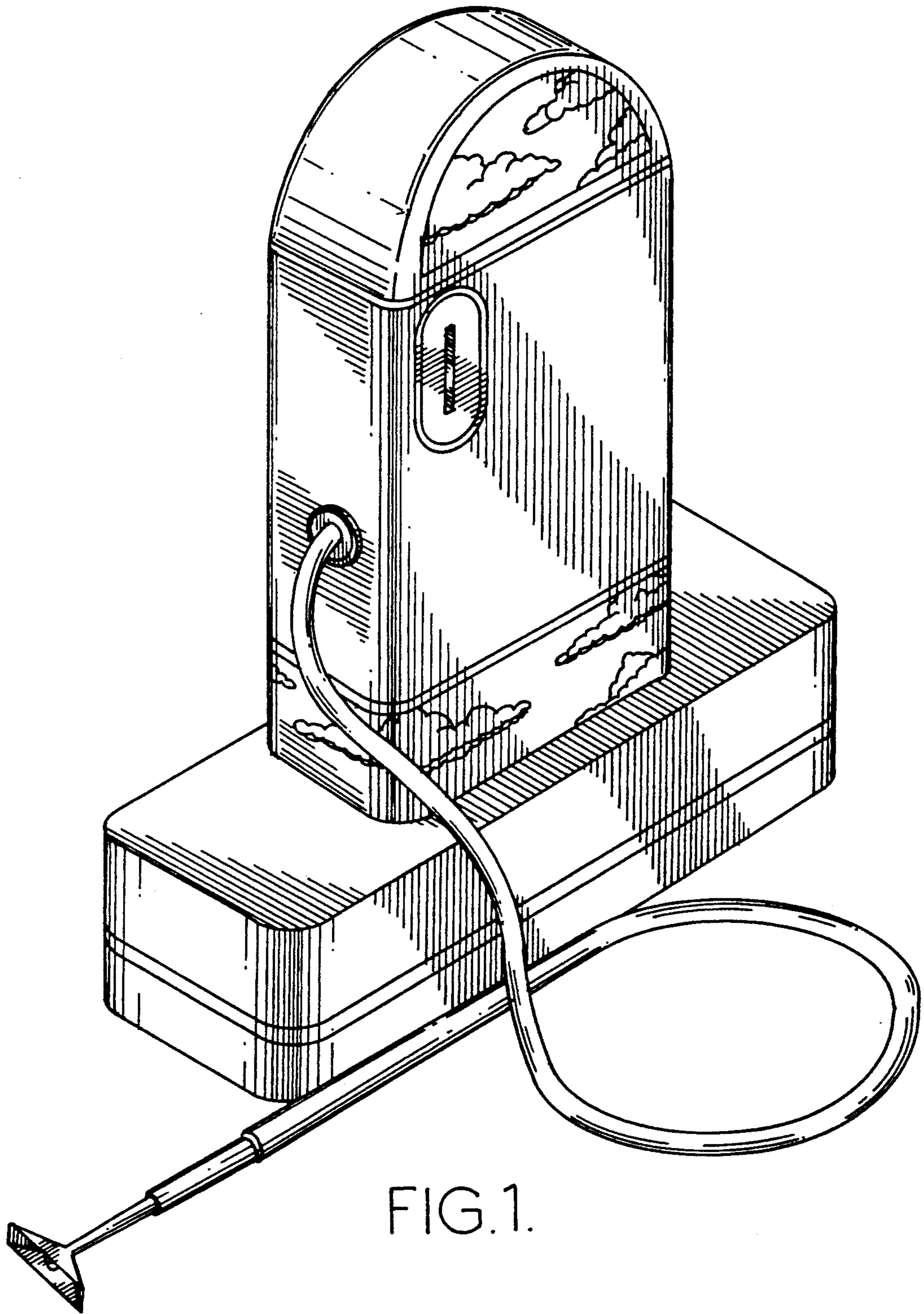


FIG. 1.

FIG. 2.

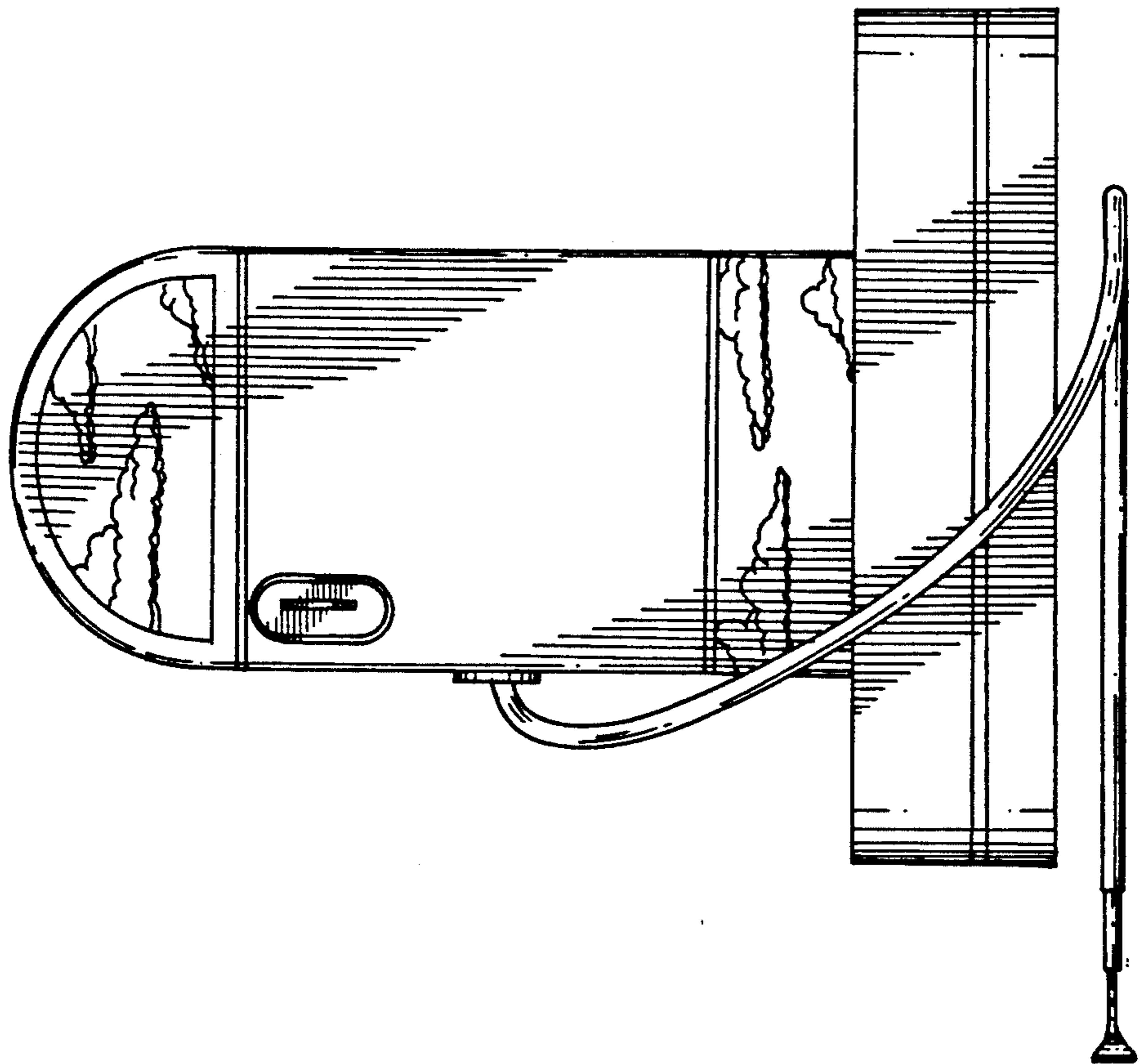


FIG. 4.

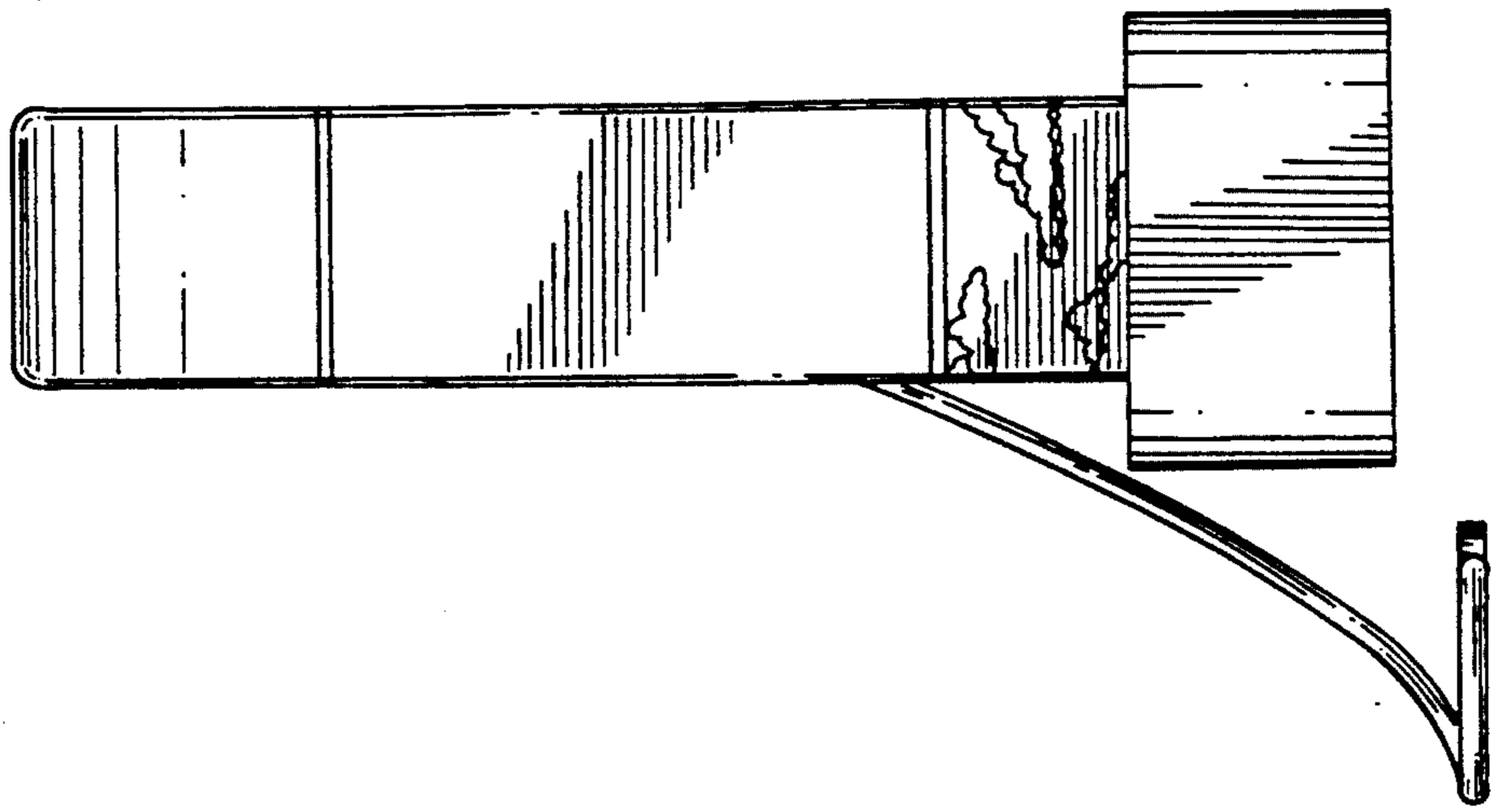




FIG. 5.

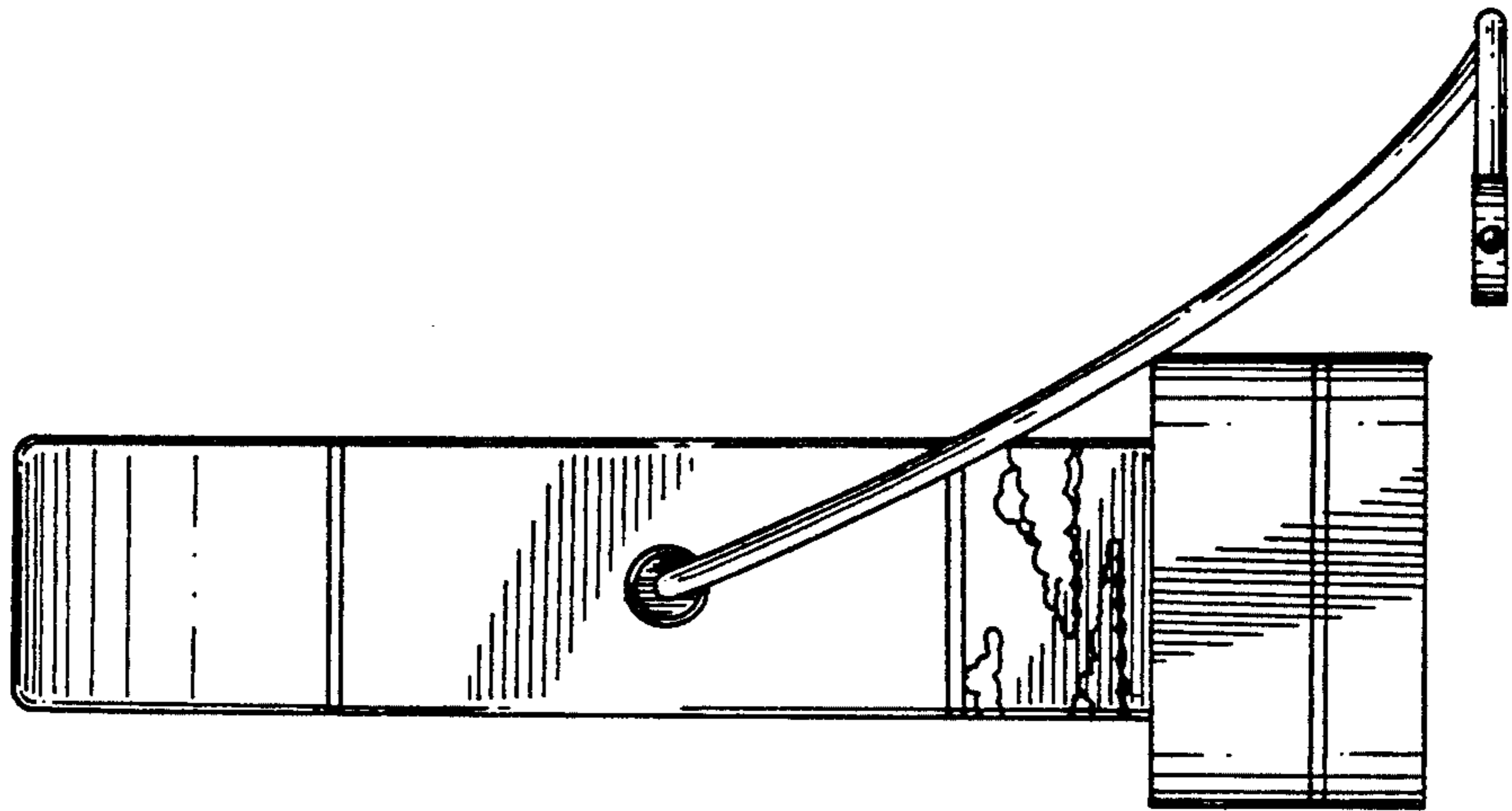


FIG. 3.

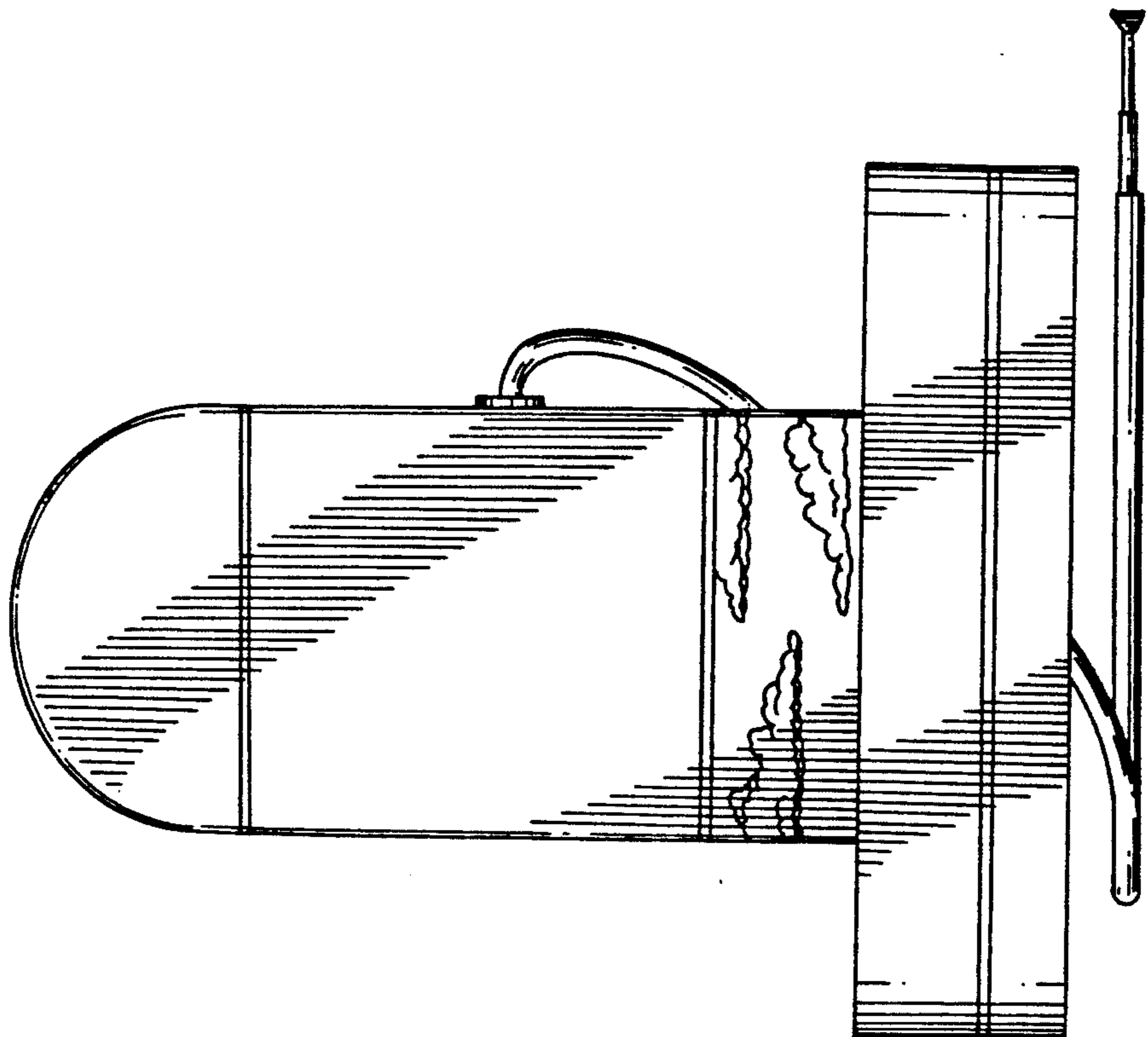


FIG. 6.

