



US00D337181S

United States Patent [19]

[11] Patent Number: **Des. 337,181**

Warman

[45] Date of Patent: **** Jul. 6, 1993**

[54] **WATER AND FEED PLASTIC BUCKET FOR ANIMALS**

D. 285,498 9/1986 Thibault D30/132
3,804,289 4/1974 Churan 220/675
3,848,570 11/1974 Scigliano 119/51.03

[76] Inventor: **Linda S. Warman**, 1712 Newbury Rd., Suite 282, Dept. DF, Newbury Park, Calif. 91320

FOREIGN PATENT DOCUMENTS

581483 2/1923 United Kingdom 220/770

[**] Term: **14 Years**

Primary Examiner—A. Hugo Word
Assistant Examiner—Cathy Anne MacCormac
Attorney, Agent, or Firm—Jessup Beecher & Slehofer

[21] Appl. No.: **856,199**

[22] Filed: **Mar. 23, 1992**

[57] CLAIM

[52] U.S. Cl. **D30/121; D34/1; D32/53**

The ornamental design for a water and feed plastic bucket for animals, as shown and described.

[58] Field of Search D34/1, 5; D32/53, 53.1, D32/54; D9/532, 533, 502, 557, 558, 428; D30/121-122, 129-133; 119/61, 51.03; D22/136; D7/354; 220/605, 770, 672, 674-675, 676

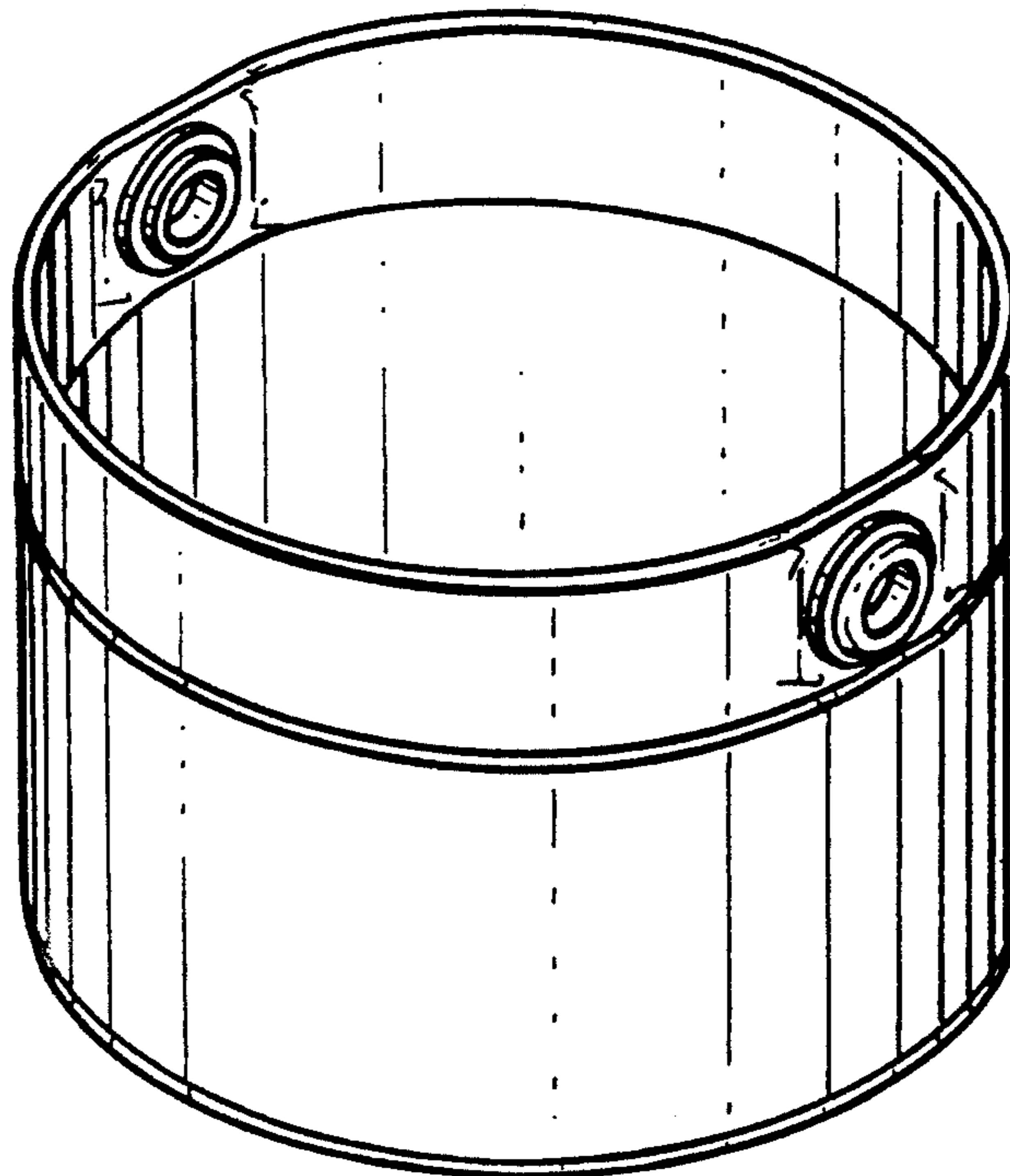
DESCRIPTION

[56] References Cited

U.S. PATENT DOCUMENTS

D. 236,320 8/1975 Renou D32/53
D. 269,303 6/1983 Goetz et al. D32/53

FIG. 1 is a perspective view of a water and feed plastic bucket for animals showing my new design;
FIG. 2 is a front elevational view thereof, the rear being identical to the front;
FIG. 3 is a right side elevational view thereof, the left side being identical to the right;
FIG. 4 is a top plan view thereof; and,
FIG. 5 is a bottom plan view thereof.



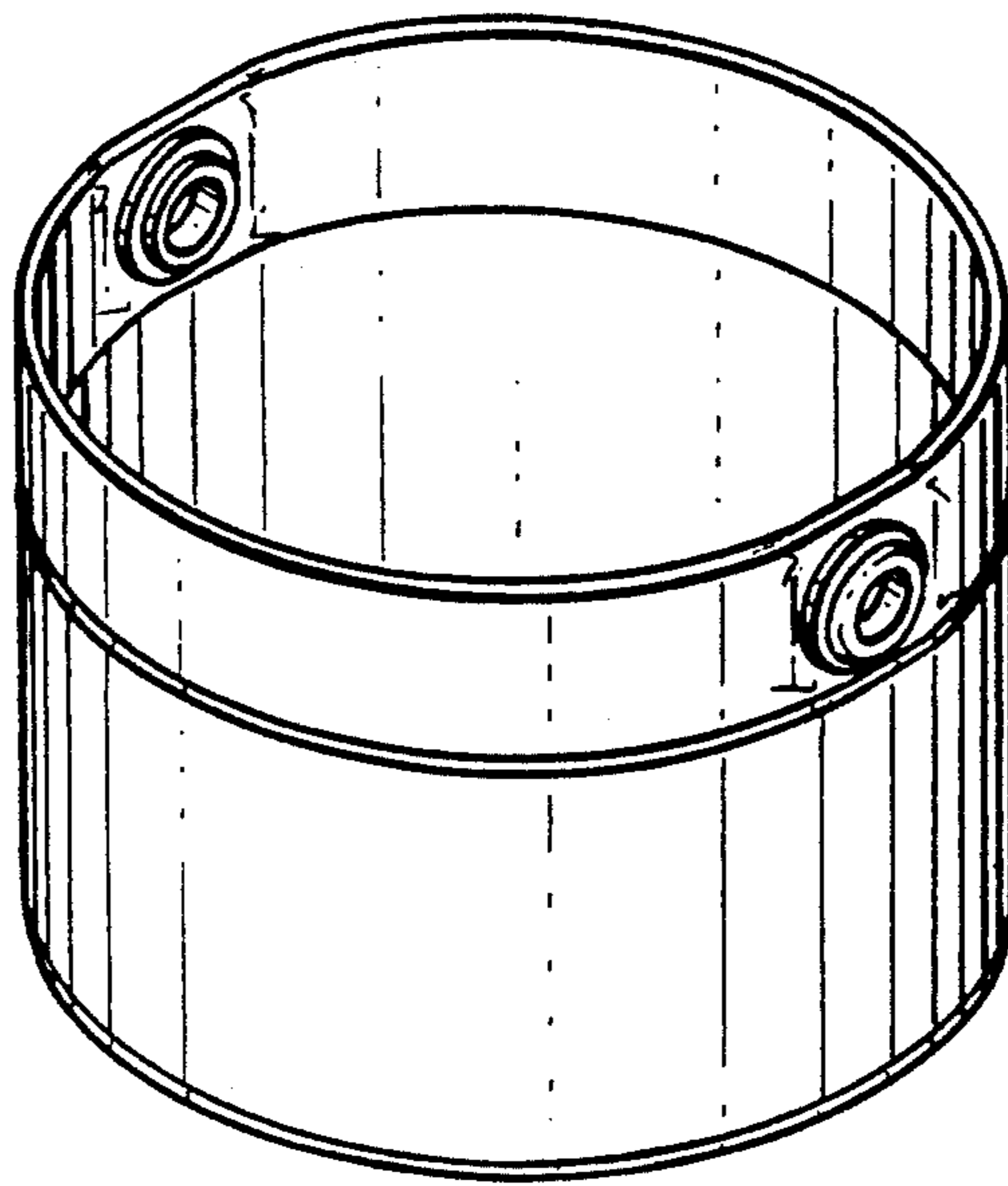


Fig. 1.

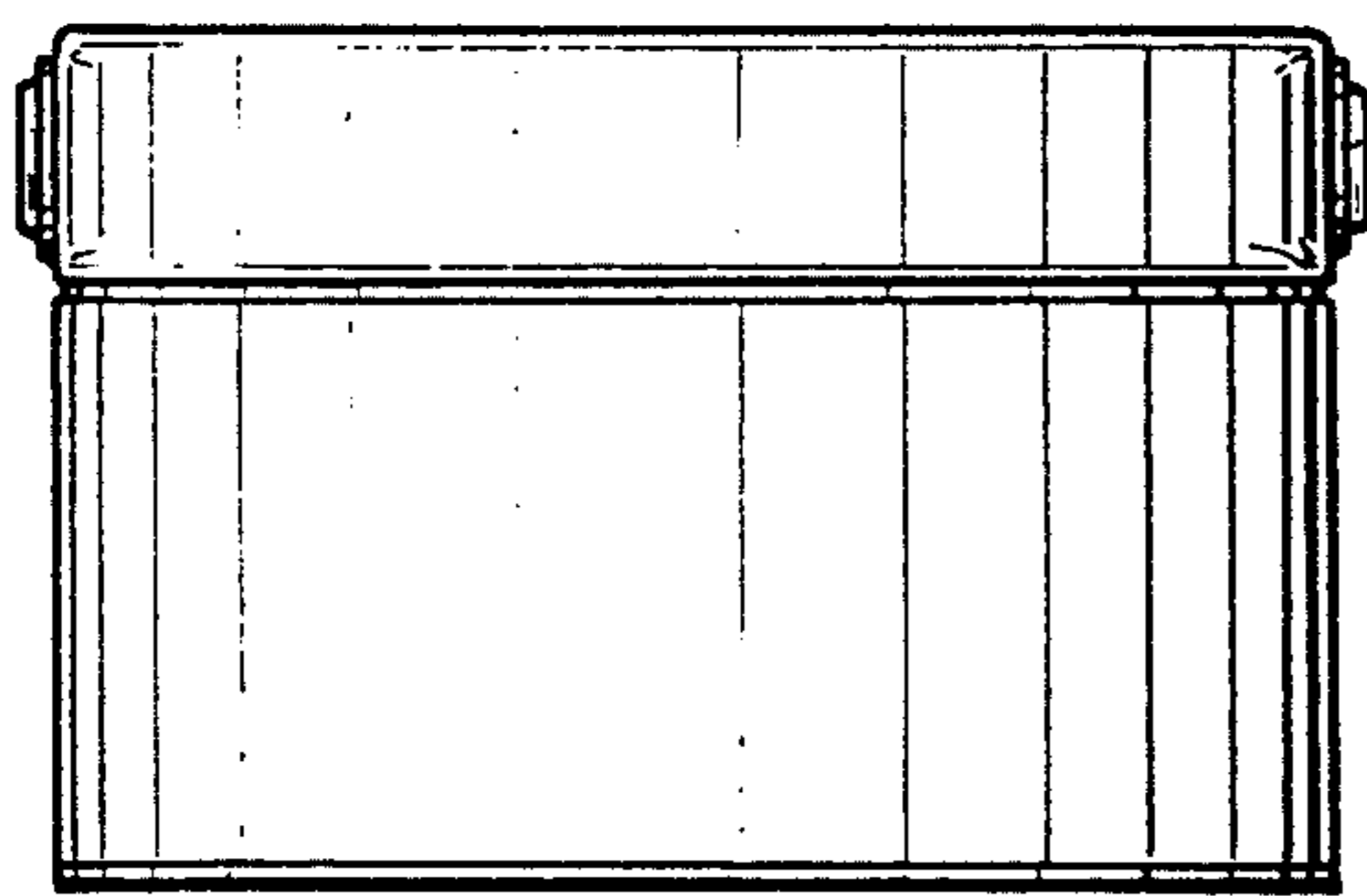


Fig. 2.

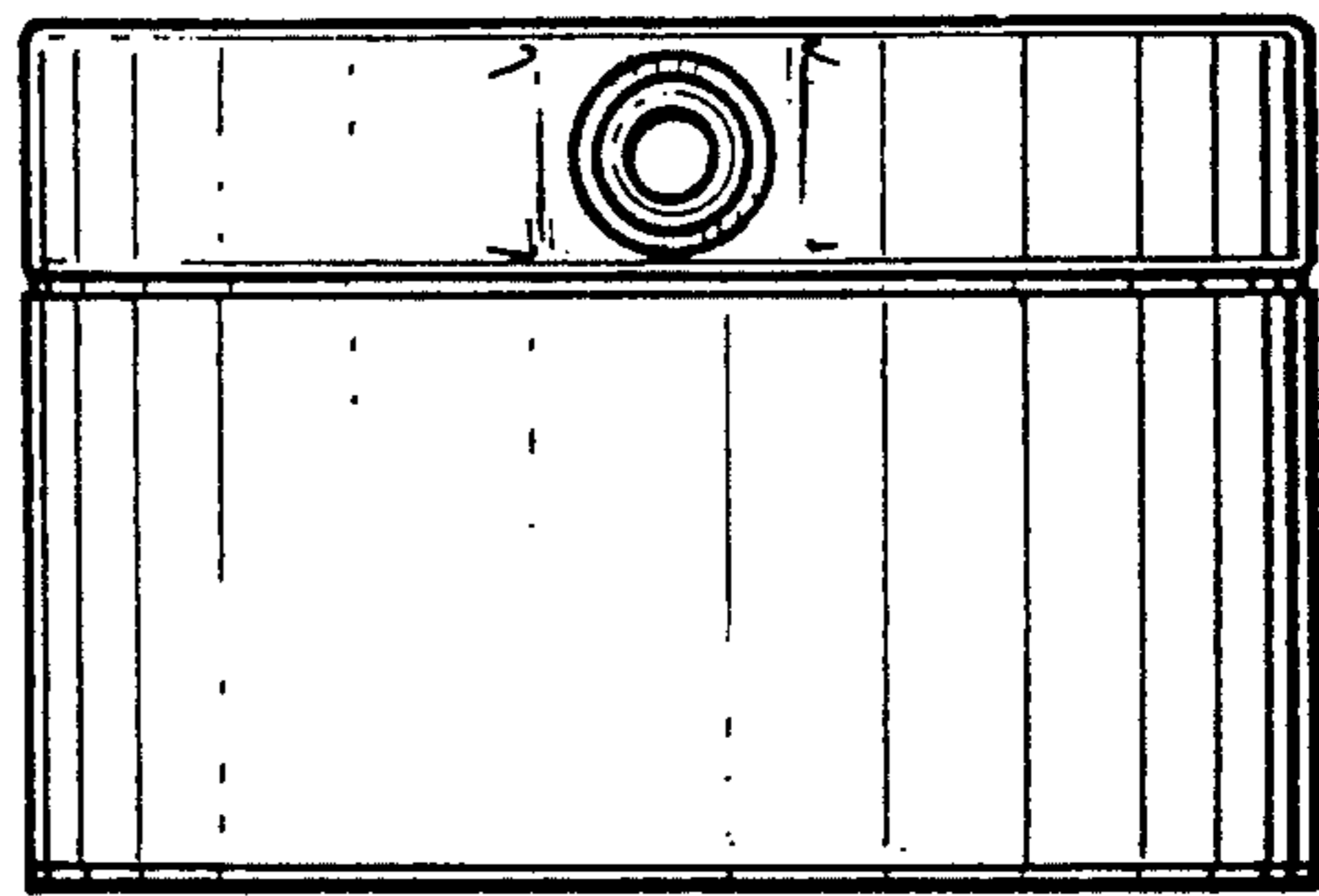


Fig. 3.

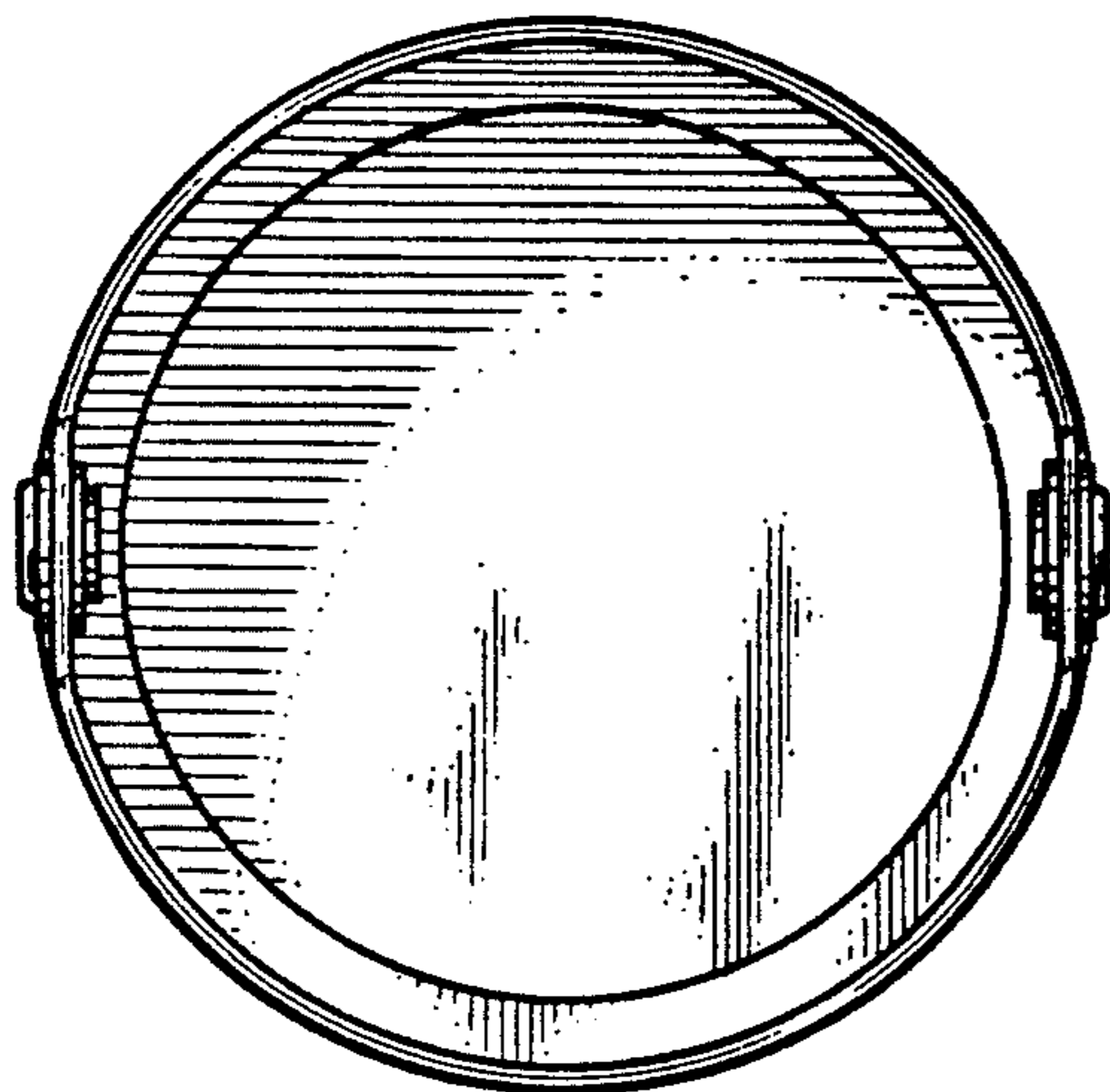


Fig. 4.

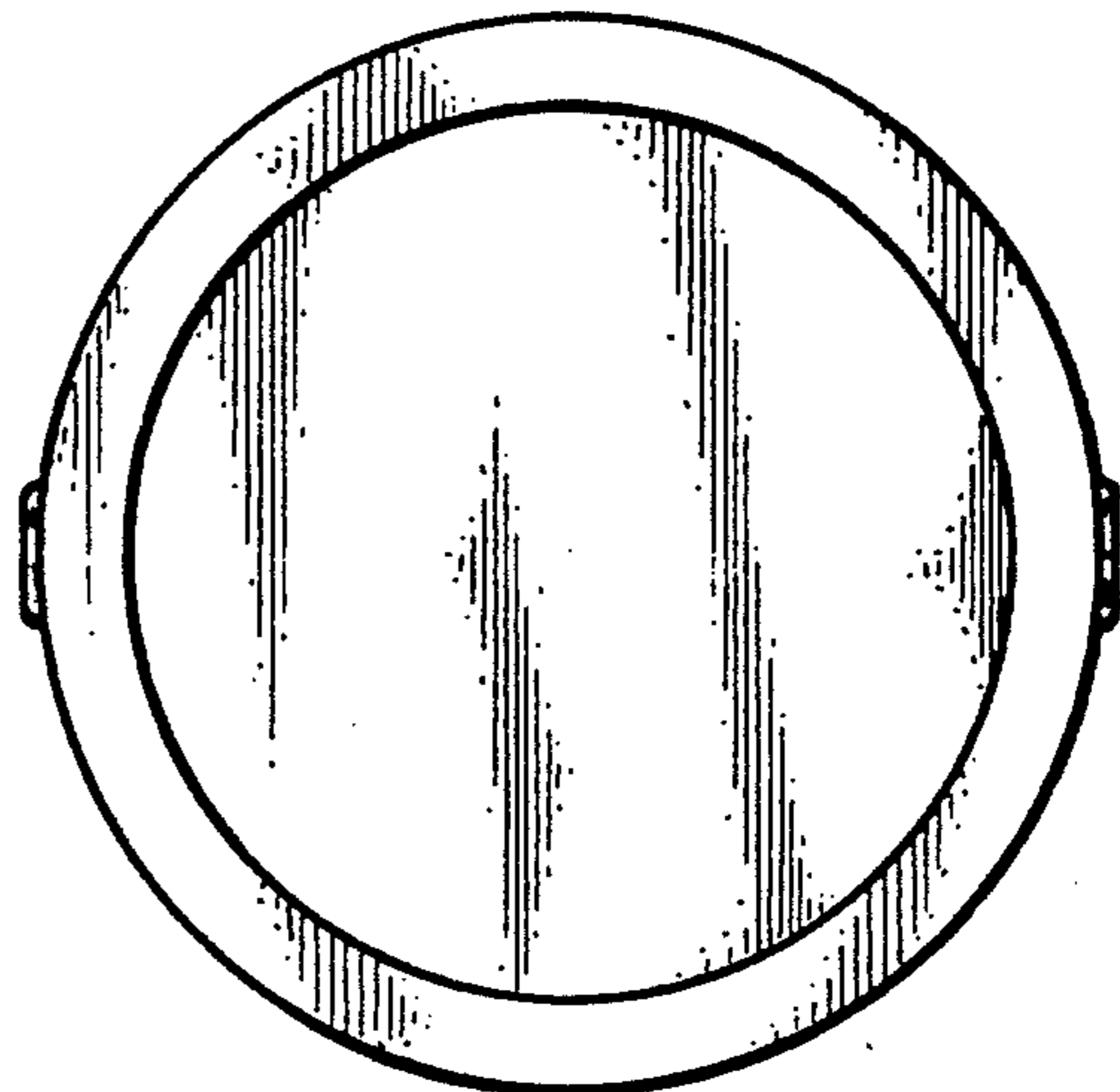


Fig. 5.