



US00D337176S

# United States Patent [19] Romani

[11] Patent Number: **Des. 337,176**  
[45] Date of Patent: **\*\* Jul. 6, 1993**

[54] **VACUUM ATTACHMENT FOR HAIR GROOMING CLIPPERS**  
[75] Inventor: **R. Marlene Romani, Indiana, Pa.**  
[73] Assignee: **M. D. C. Romanic, Inc., Indiana, Pa.**  
[\*\*] Term: **14 Years**  
[21] Appl. No.: **554,623**  
[22] Filed: **Jul. 18, 1990**  
[52] U.S. Cl. .... **D28/54**  
[58] Field of Search ..... **D28/52-54; D32/30-33; 30/132, 133; 15/300.1, 329, 415.1**

3,331,130	7/1967	Ligon .....	30/33
3,348,308	10/1967	Andis .....	30/133
3,368,277	2/1968	VeVea .....	30/133
3,384,919	5/1968	Jording et al. ....	15/339
3,440,681	4/1969	Hixson et al. ....	15/339
3,797,111	3/1974	Keane .....	30/133
4,077,122	3/1978	Roller, Jr. et al. ....	30/133

*Primary Examiner*—Bernard Ansher  
*Assistant Examiner*—C. Tuttle  
*Attorney, Agent, or Firm*—Michael R. Swartz

### [57] CLAIM

The ornamental design for a vacuum attachment for hair grooming clippers, as shown.

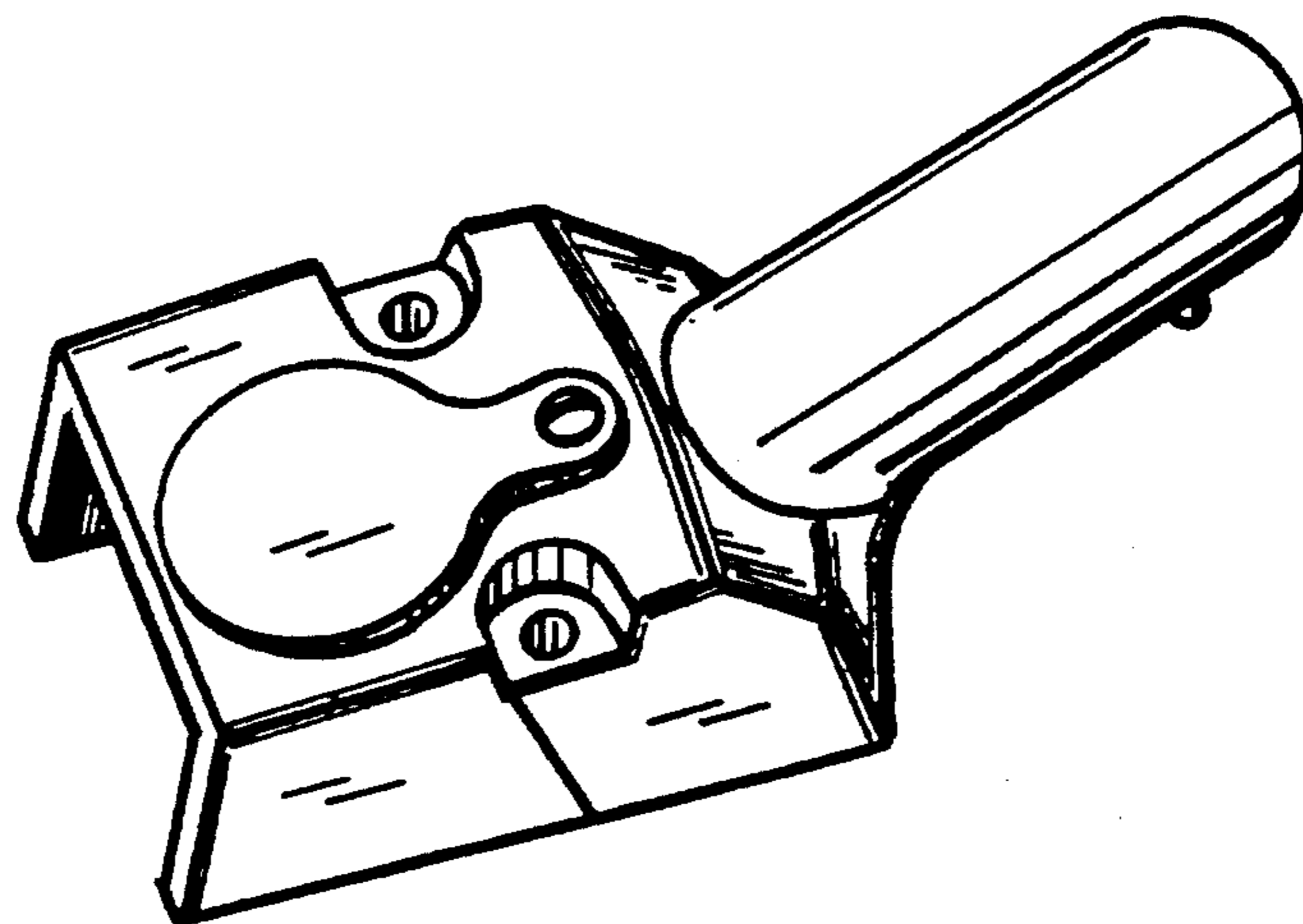
### DESCRIPTION

FIG. 1 is a perspective view of a vacuum attachment for hair grooming clippers showing my new design; FIG. 2 is a right side elevational view thereof, the side opposite being a mirror image of the side shown; FIG. 3 is a top plan view thereof; FIG. 4 is a front elevational view thereof; FIG. 5 is a rear elevational view thereof; and, FIG. 6 is a bottom plan view thereof.

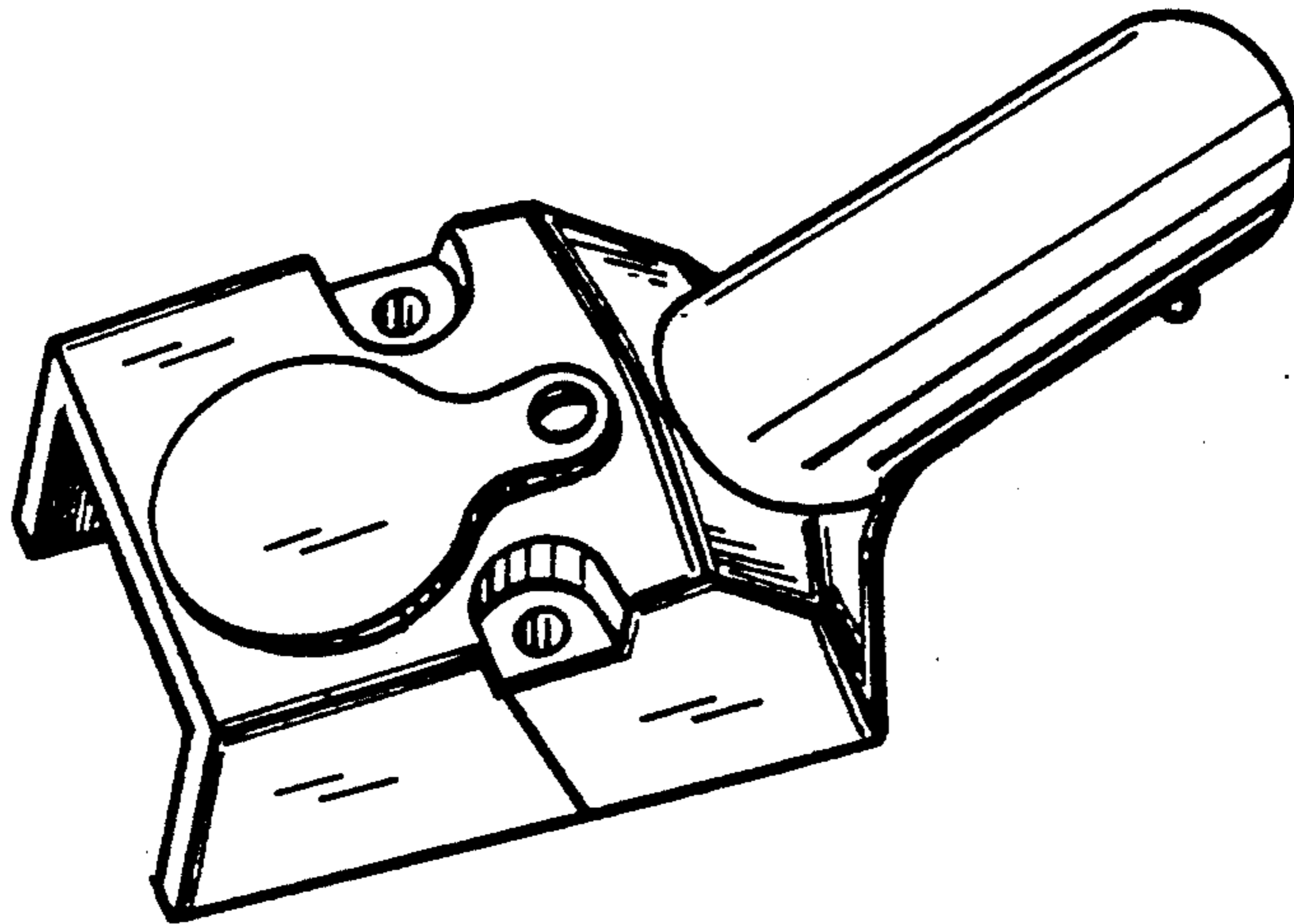
[56] **References Cited**

**U.S. PATENT DOCUMENTS**

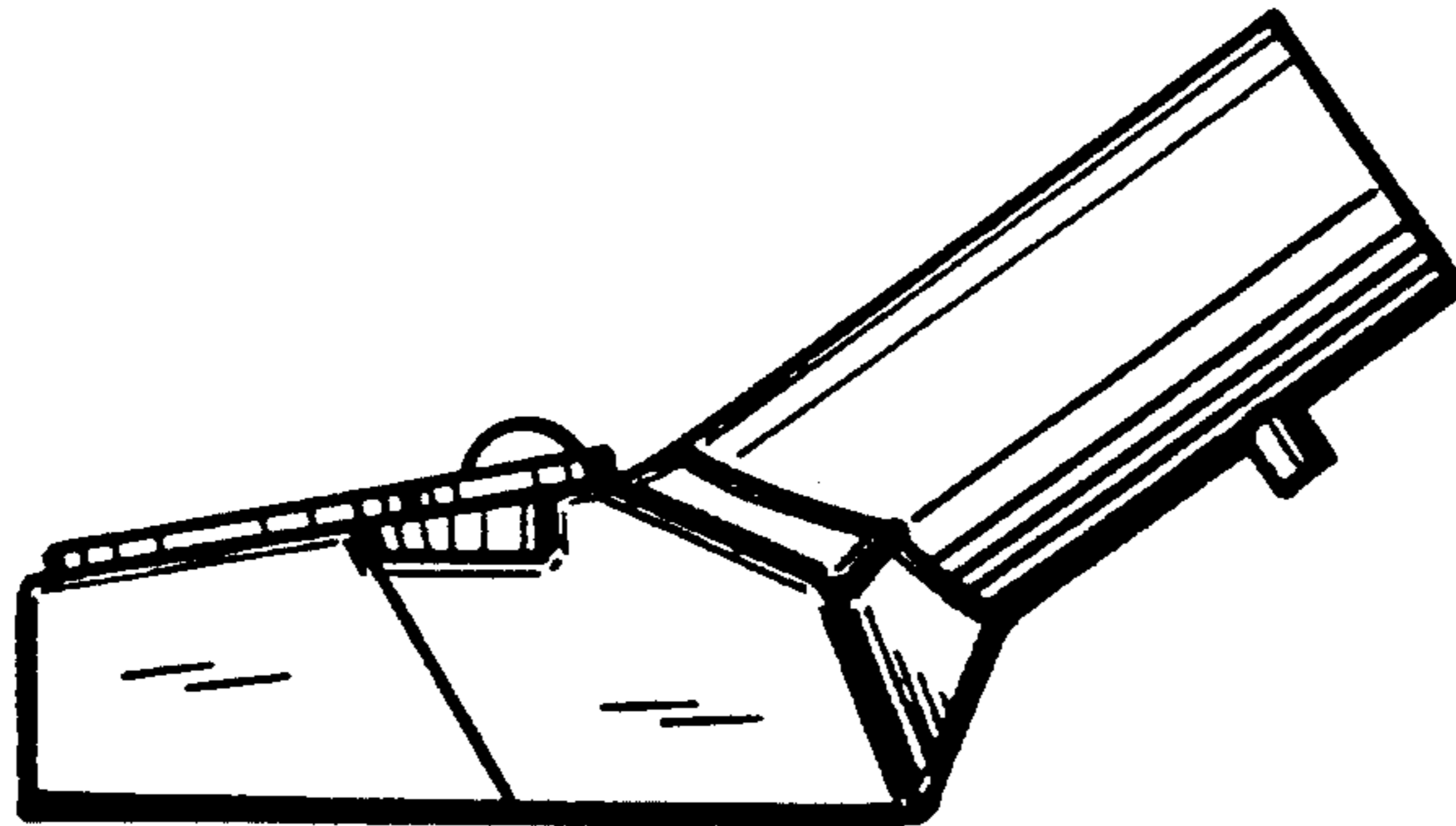
2,653,380	9/1953	Atha .....	30/133
2,748,472	6/1956	Sheley et al. ....	30/133
2,946,122	7/1960	Gaskins .....	30/133
3,073,026	1/1963	Schaedler .....	30/133
3,217,407	11/1965	Azar .....	30/133
3,280,456	10/1966	Erickson et al. ....	30/133
3,295,200	1/1967	Padgett et al. ....	30/133



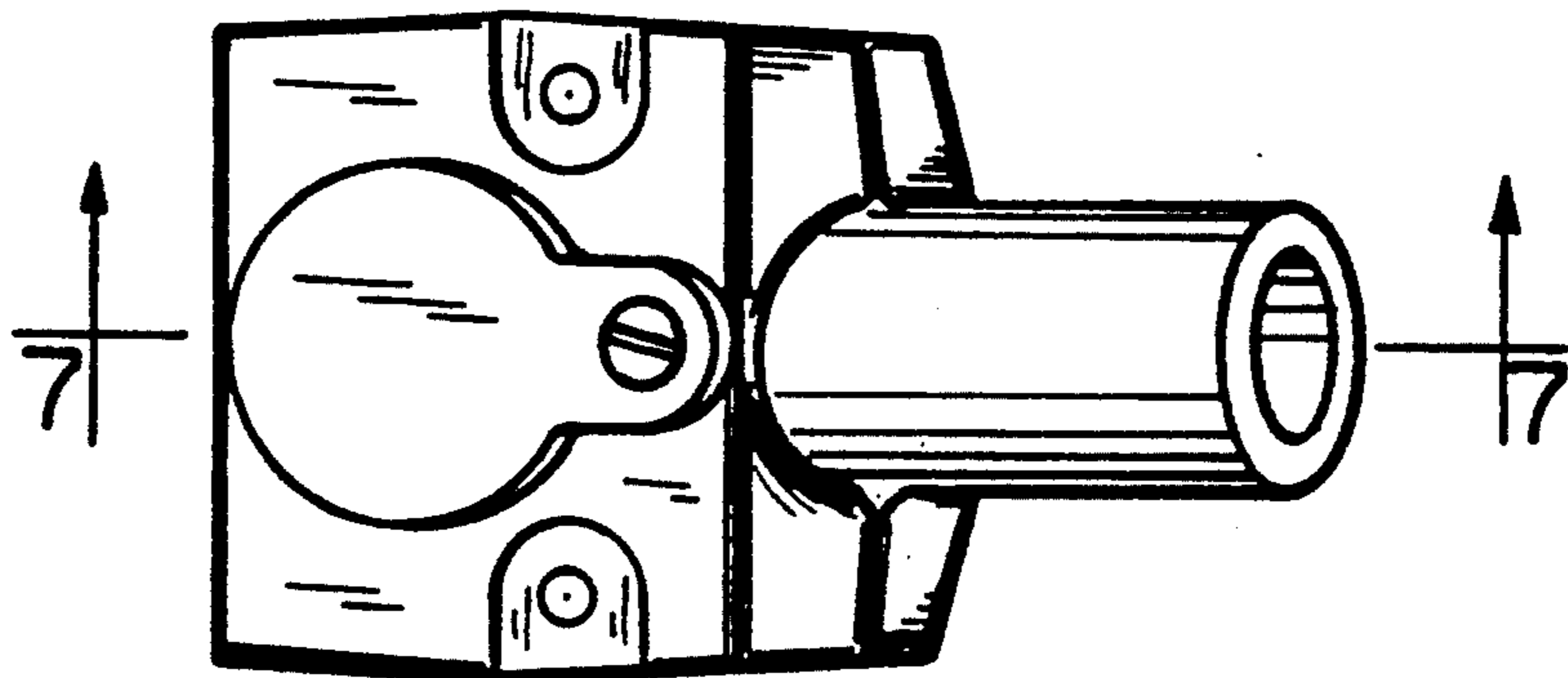
*Fig. 1*



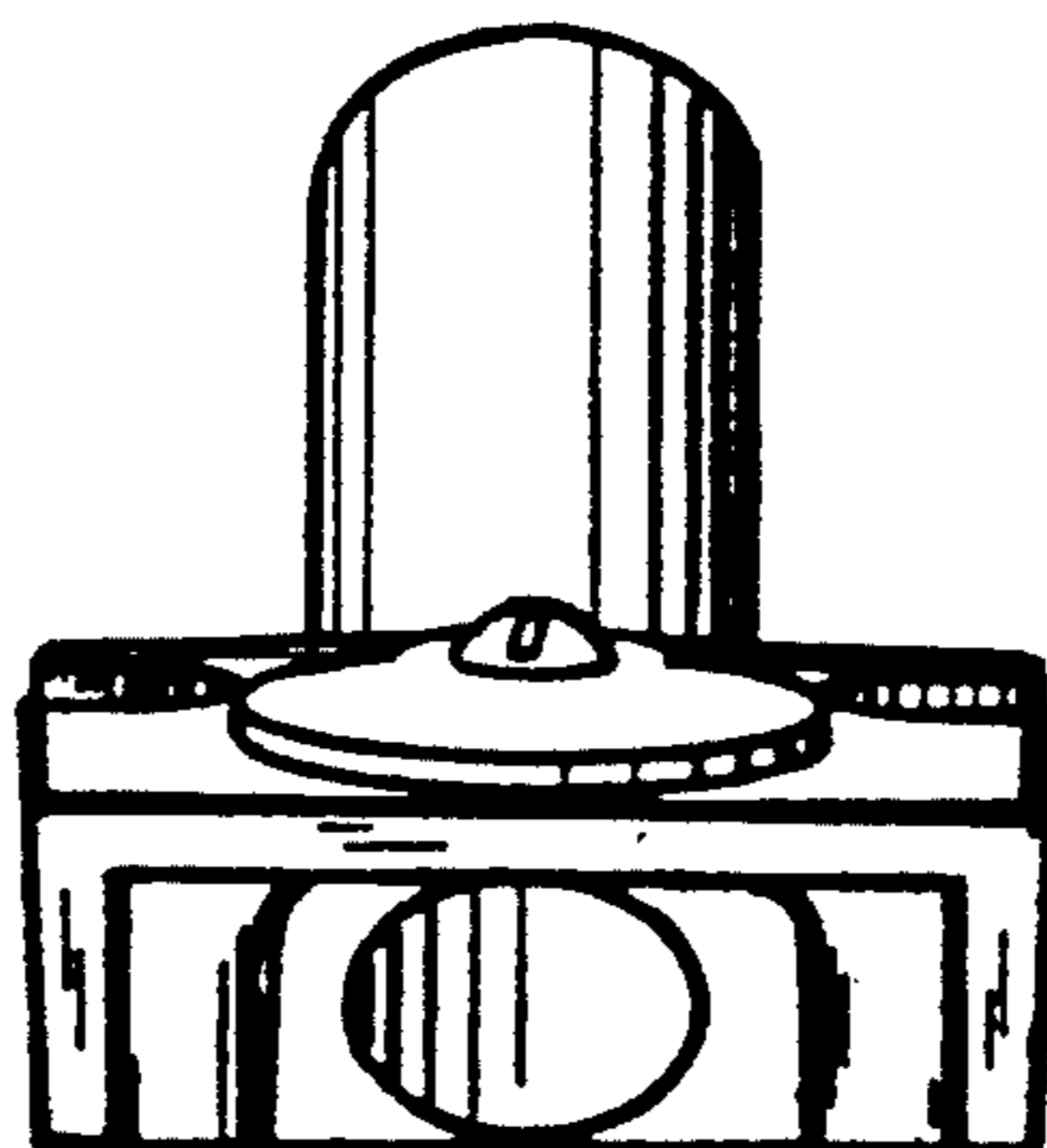
*Fig. 2*



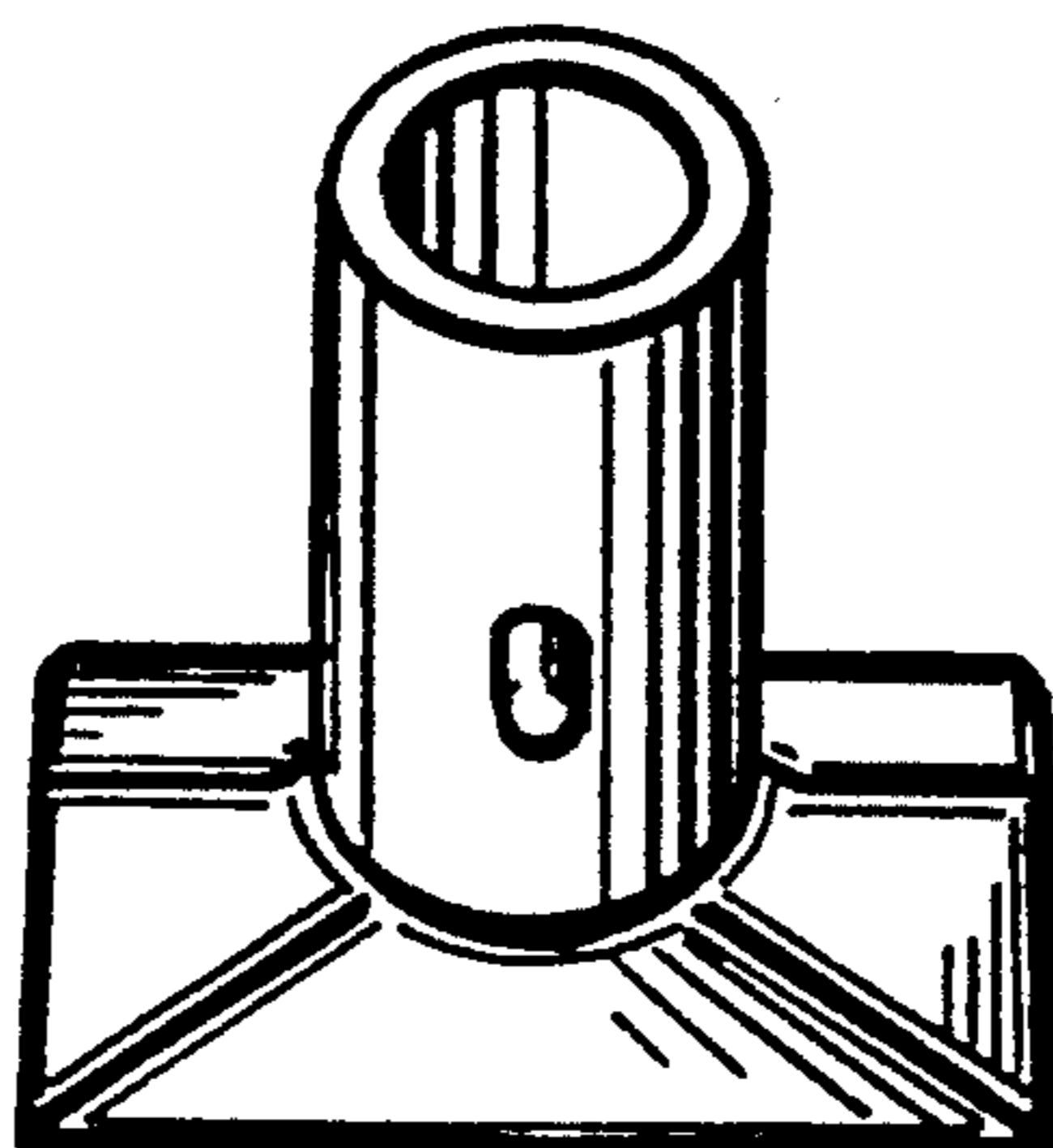
*Fig. 3*



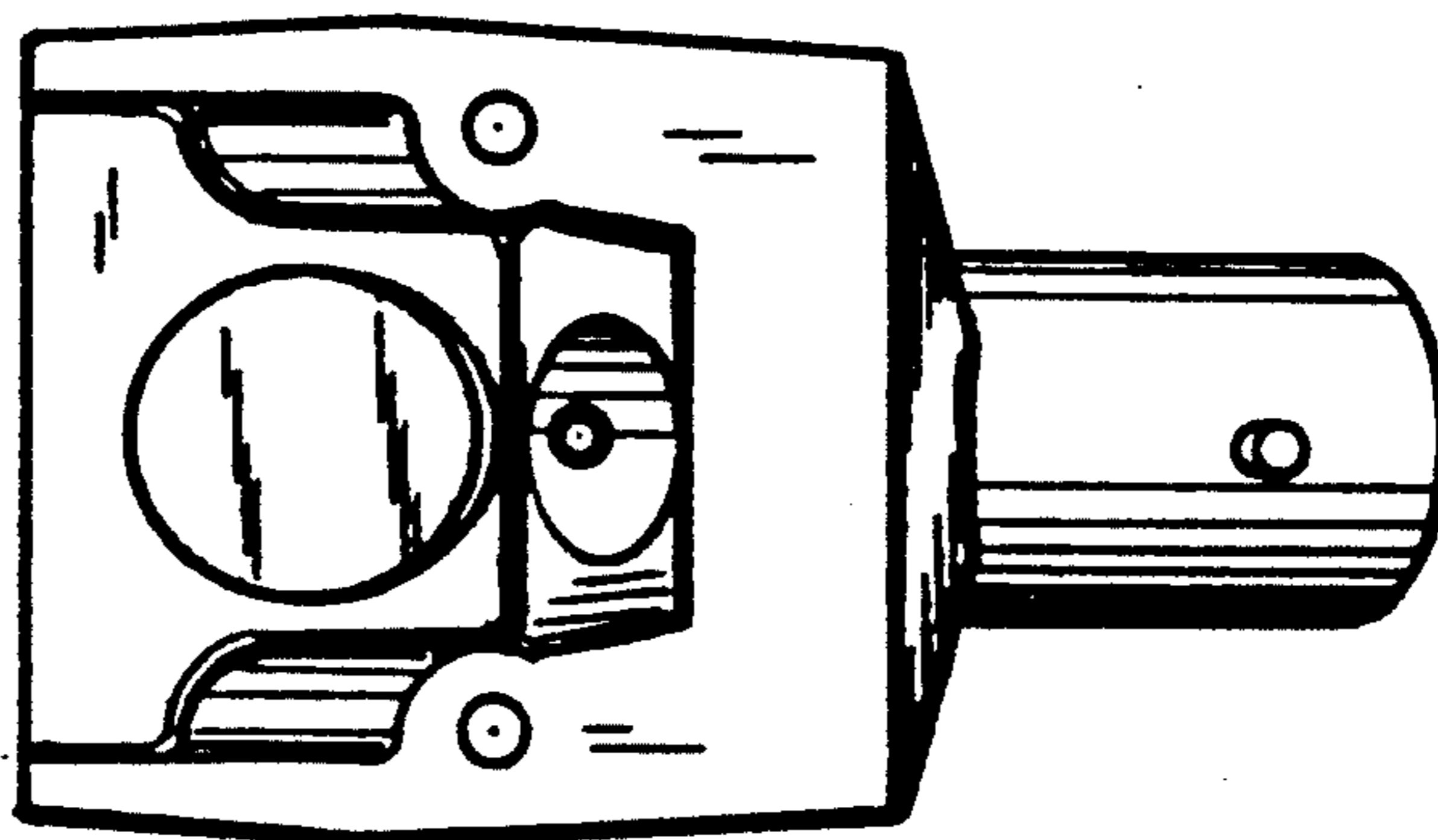
*Fig. 4*



*Fig. 5*



*Fig. 6*



*Fig. 7*

