



US00D337173S

# United States Patent [19]

Yamada et al.

[11] Patent Number: **Des. 337,173**

[45] Date of Patent: **\*\* Jul. 6, 1993**

[54] **BALANCING ARM FOR A MEDICAL LAMP**

[75] Inventors: **Reijiro Yamada; Nobuo Suzuki**, both of Tokyo, Japan

[73] Assignee: **Yamada Iryo Shomei Kabushiki Kaisha**, Tokyo, Japan

[\*\*] Term: **14 Years**

[21] Appl. No.: **673,752**

[22] Filed: **Mar. 25, 1991**

[30] **Foreign Application Priority Data**

Oct. 18, 1990 [JP] Japan ..... 2-34626

[52] U.S. Cl. .... **D26/140; D26/63**

[58] Field of Search ..... **D26/60-66, D26/138, 140; 362/147, 432, 269, 275, 287, 418, 419, 427, 428, 401, 402, 33, 804, 250; 248/284, 280.1, 292.1**

[56] **References Cited**

**U.S. PATENT DOCUMENTS**

D. 187,950 5/1960 Lauterbach ..... D26/63 X  
 4,107,769 8/1978 Saluja ..... 362/402  
 4,288,844 9/1981 Fisher et al. .... 362/33

*Primary Examiner*—Susan J. Lucas  
*Attorney, Agent, or Firm*—Wenderoth, Lind & Ponack

[57] **CLAIM**

The ornamental design for a balancing arm for a medical lamp, as shown and described.

**DESCRIPTION**

FIG. 1 is a front elevational view of a balancing arm for a medical lamp showing our new design, the rear elevational view being a mirror image;

FIG. 2 is a left side elevational view thereof;

FIG. 3 is a top plan view thereof;

FIG. 4 is a bottom plan view thereof;

FIG. 5 is a right side elevational view thereof;

FIG. 6 is a perspective view thereof; and,

FIG. 7 is a side elevational view of the balancing arm with a lamp and support arm shown in broken lines for illustrative purposes only.

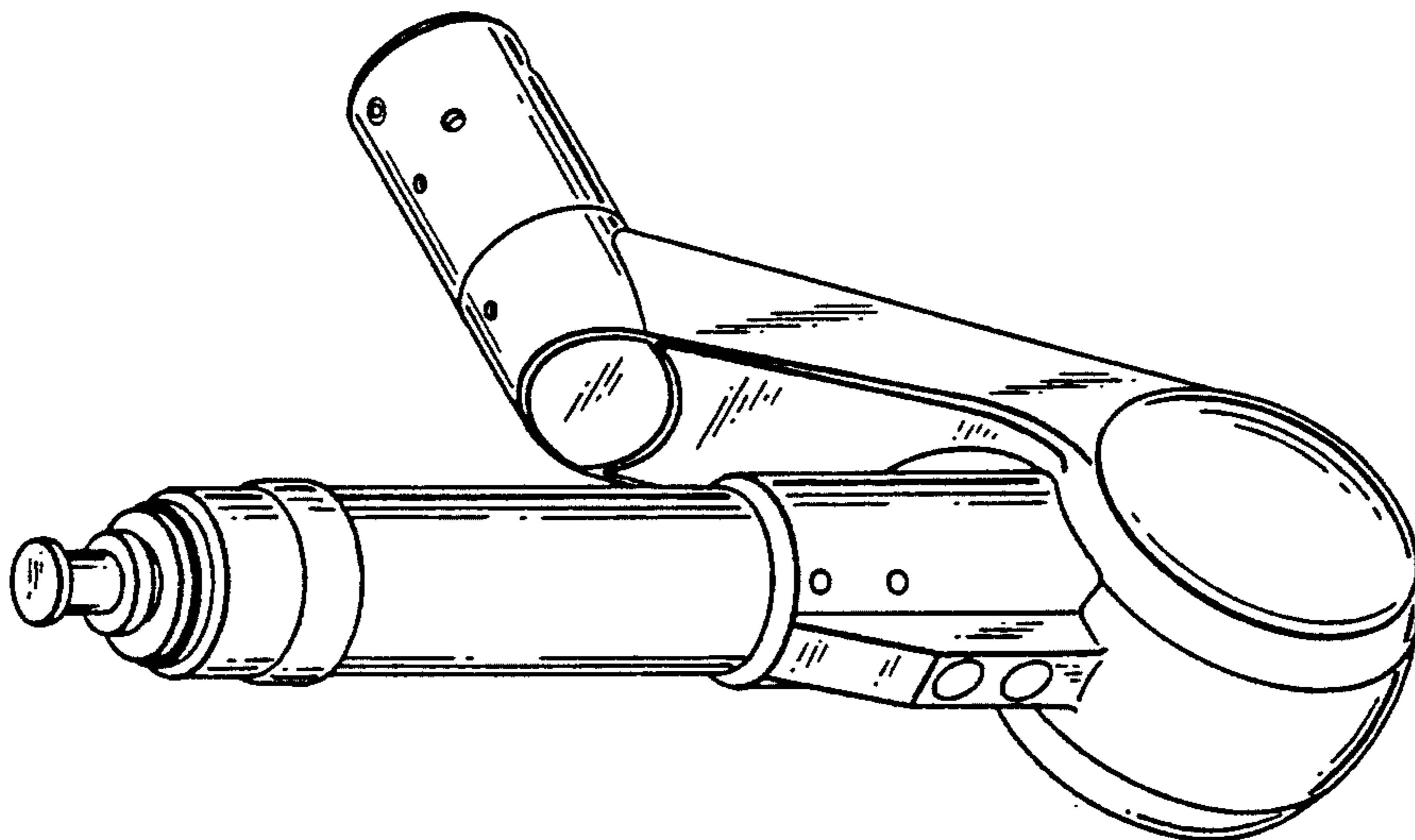


FIG. 2

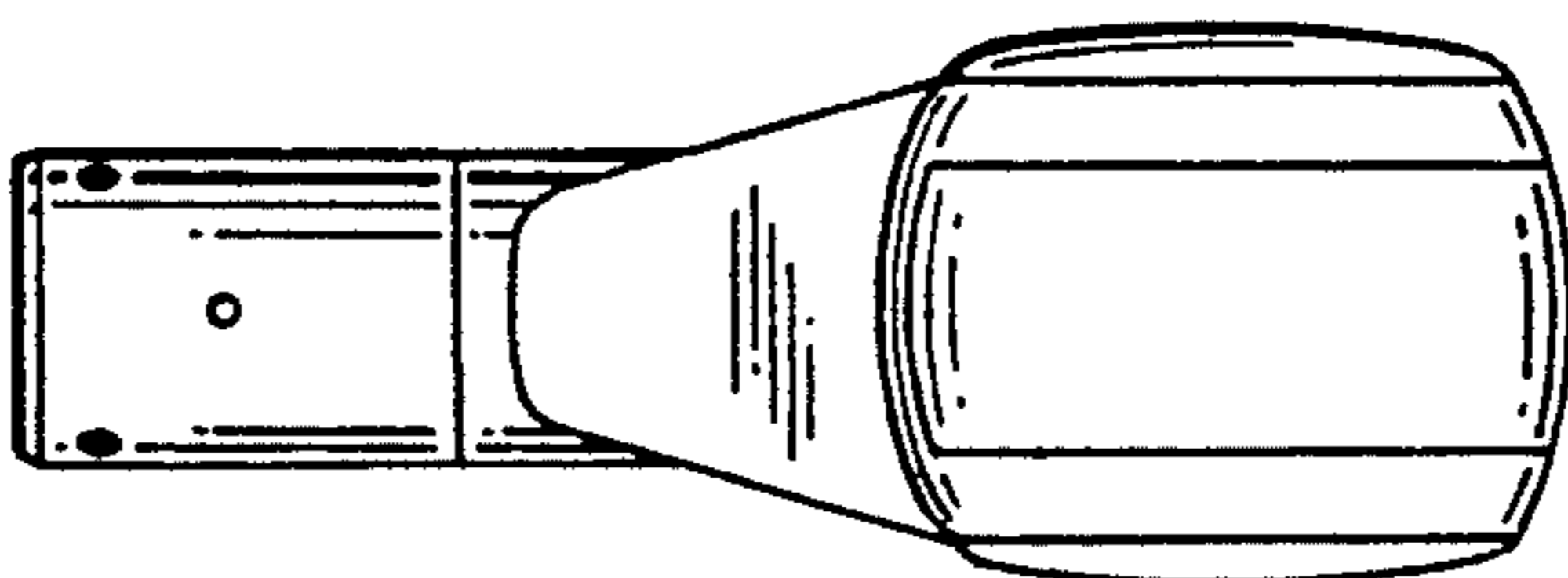


FIG. 1

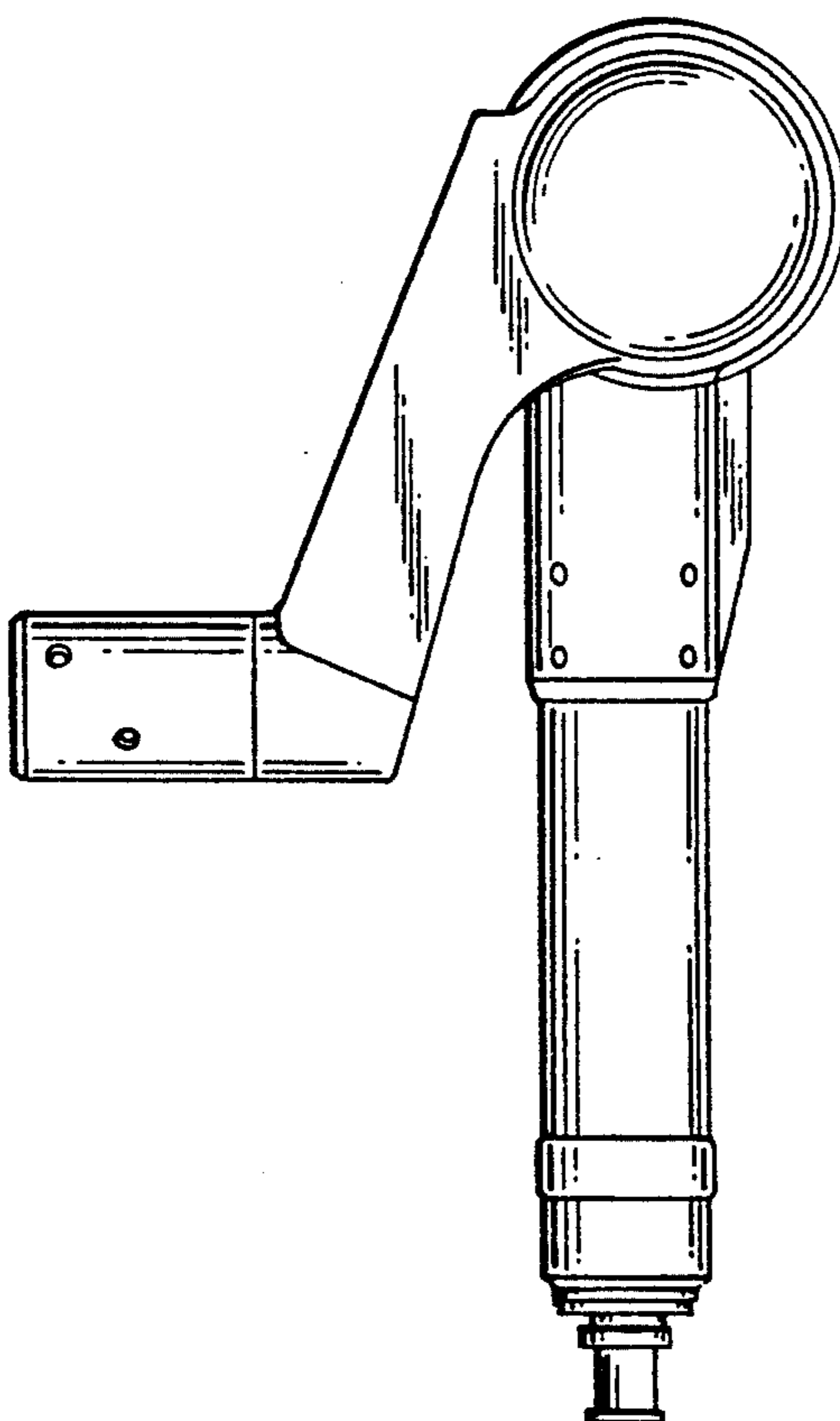


FIG. 3

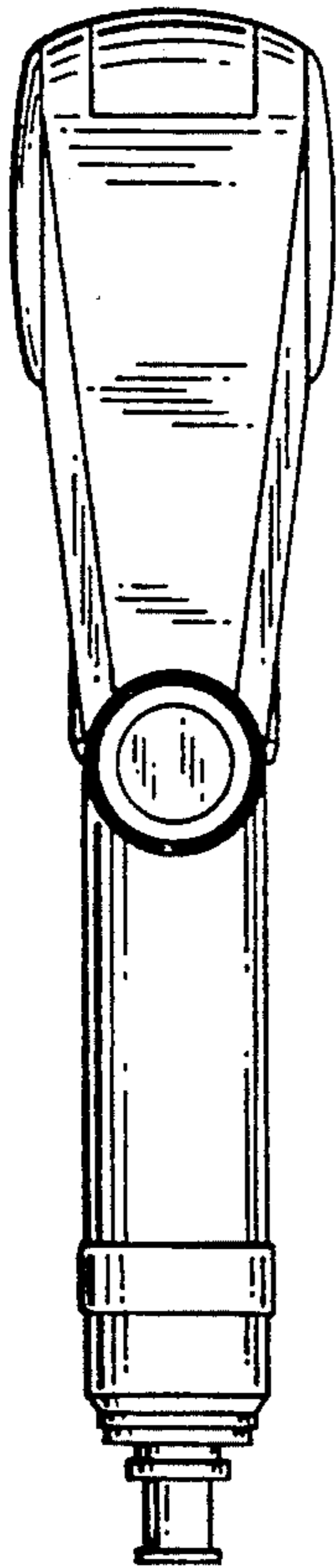


FIG. 5

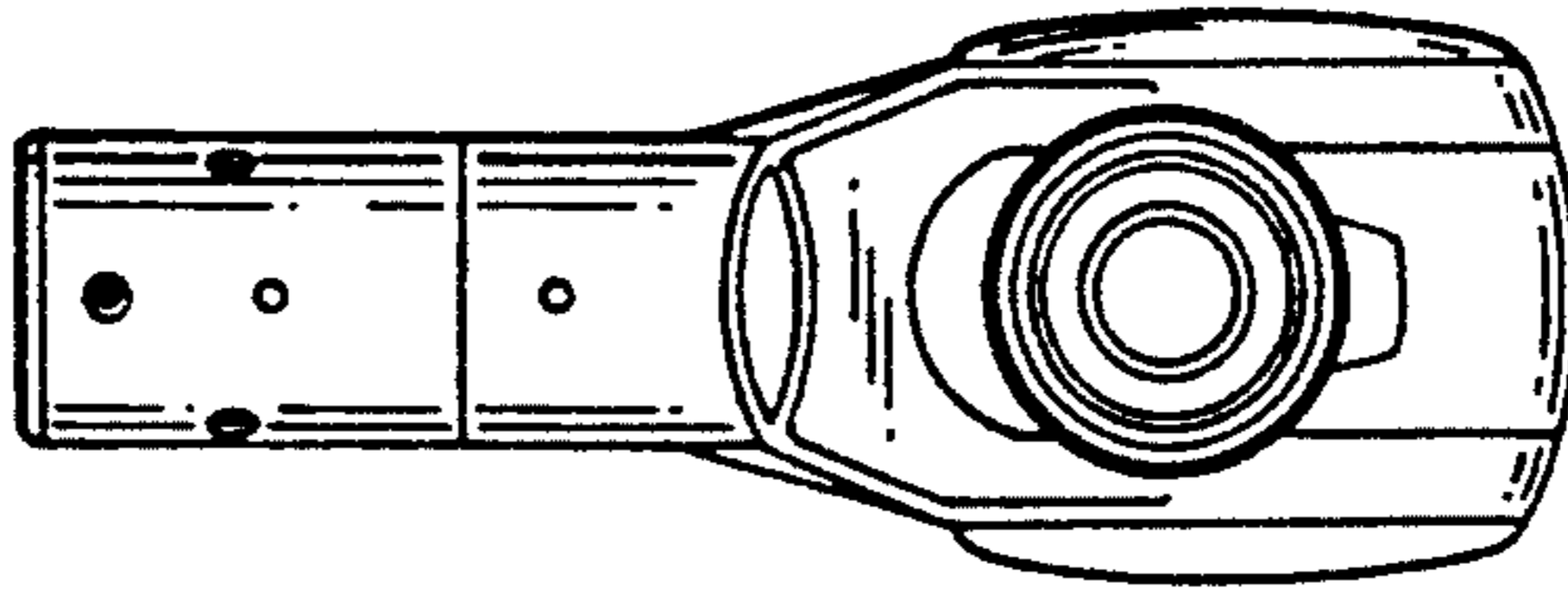


FIG. 4

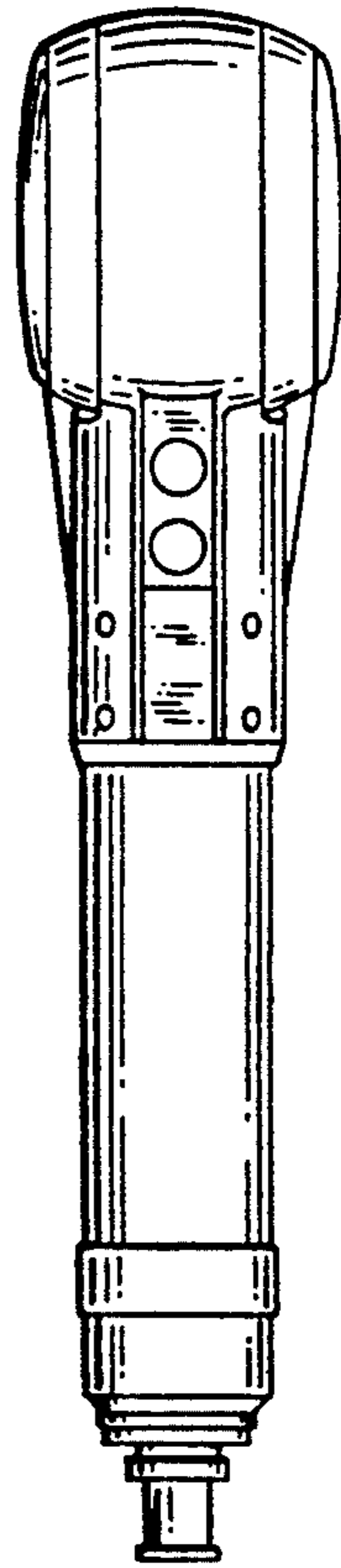


FIG. 6

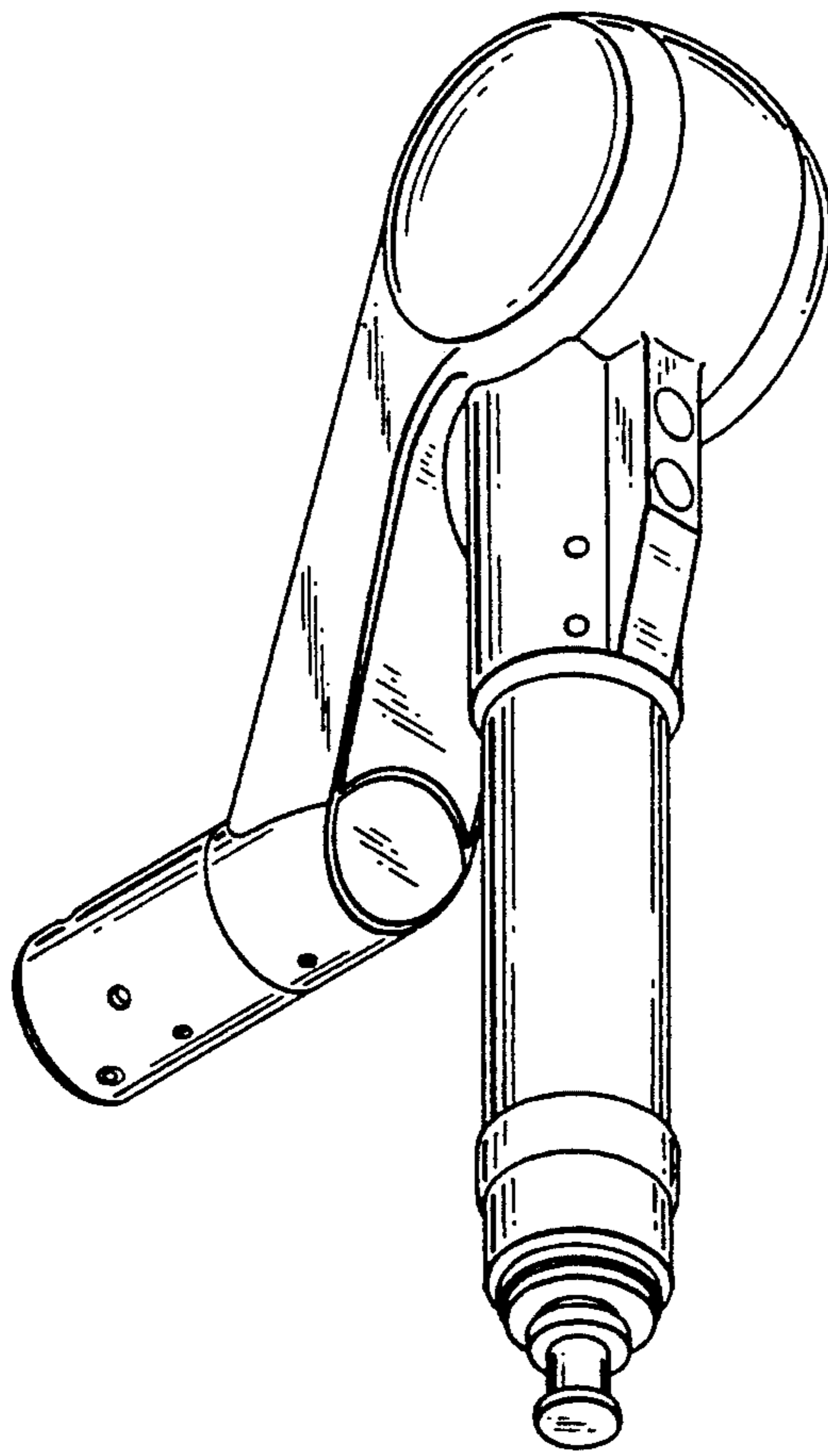


FIG. 7

