



US00D337165S

# United States Patent [19] Malinoff

[11] Patent Number: **Des. 337,165**

[45] Date of Patent: **\*\* Jul. 6, 1993**

[54] PIPETTE CASE

4,936,152 6/1990 Aldred ..... D24/230 X  
5,048,957 9/1991 Berthold et al. .... 356/246

[75] Inventor: **Don Malinoff**, Granada Hills, Calif.

[73] Assignee: **DBM Scientific Corporation**,  
Granada Hills, Calif.

[\*\*] Term: **14 Years**

[21] Appl. No.: **654,906**

[22] Filed: **Feb. 13, 1991**

[52] U.S. Cl. .... **D24/227; D24/222;**  
**D24/230**

[58] Field of Search ..... **D24/222, 224, 227, 229,**  
**D24/230; 422/100, 104, 102; 356/246;**  
**206/564; D7/616**

[56] **References Cited**

### U.S. PATENT DOCUMENTS

D. 246,466 11/1977 Attree et al. .... D24/226  
D. 264,810 6/1982 Voltmann ..... D24/230 X  
D. 303,149 8/1989 Andersen ..... D24/226  
D. 307,997 5/1990 Bernstein ..... D7/616  
4,761,378 8/1988 Godsey ..... 422/102 X

### OTHER PUBLICATIONS

Tekmar 1990 catalog, pp. 15, 16, 18, 24 and 59.

*Primary Examiner*—Stella Reid

*Assistant Examiner*—I. Simmons

*Attorney, Agent, or Firm*—Spensley Horn Jubas &  
Lubitz

### [57] CLAIM

The ornamental design for a pipette case, as shown.

### DESCRIPTION

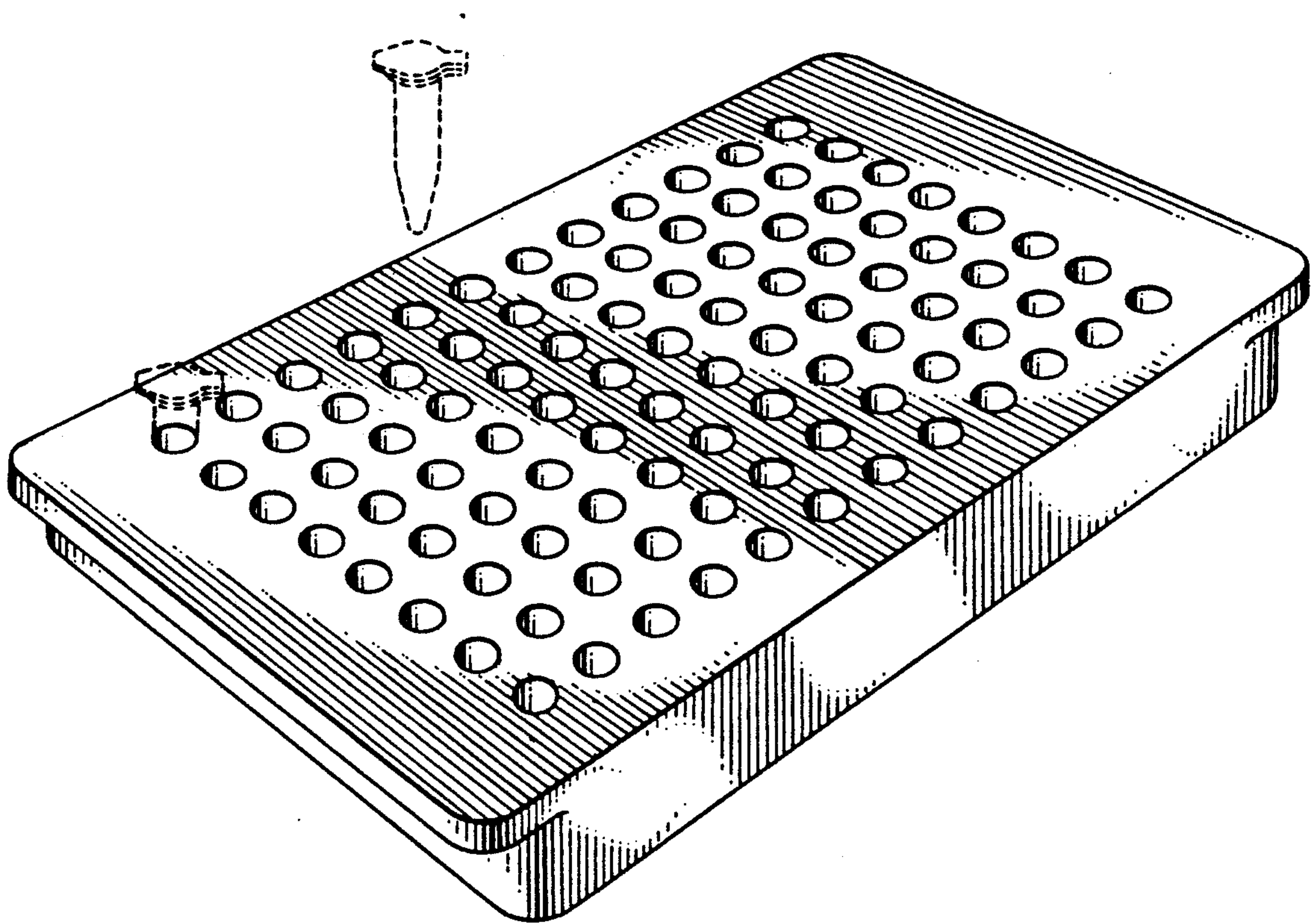
FIG. 1 is a top, front, left side perspective view of a pipette case showing my new design, the broken line showing is for illustrative purposes only and forms no part of the claimed design;

FIG. 2 is a top plan view thereof;

FIG. 3 is a rear elevational view thereof, the front elevational view being identical thereto;

FIG. 4 is a left side elevational view thereof, the right side elevational view being identical thereto; and,

FIG. 5 is a bottom plan view thereof.



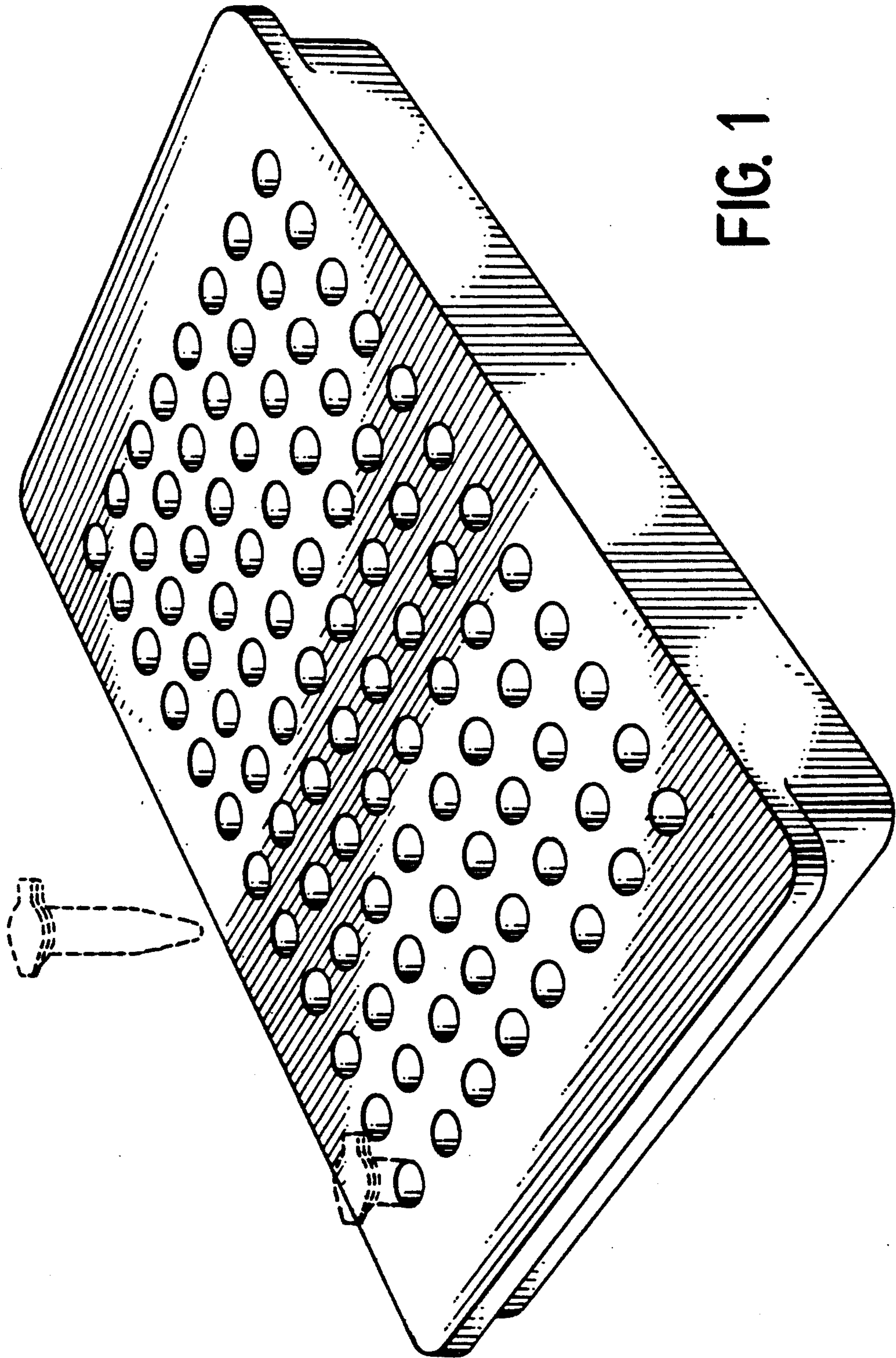


FIG. 1



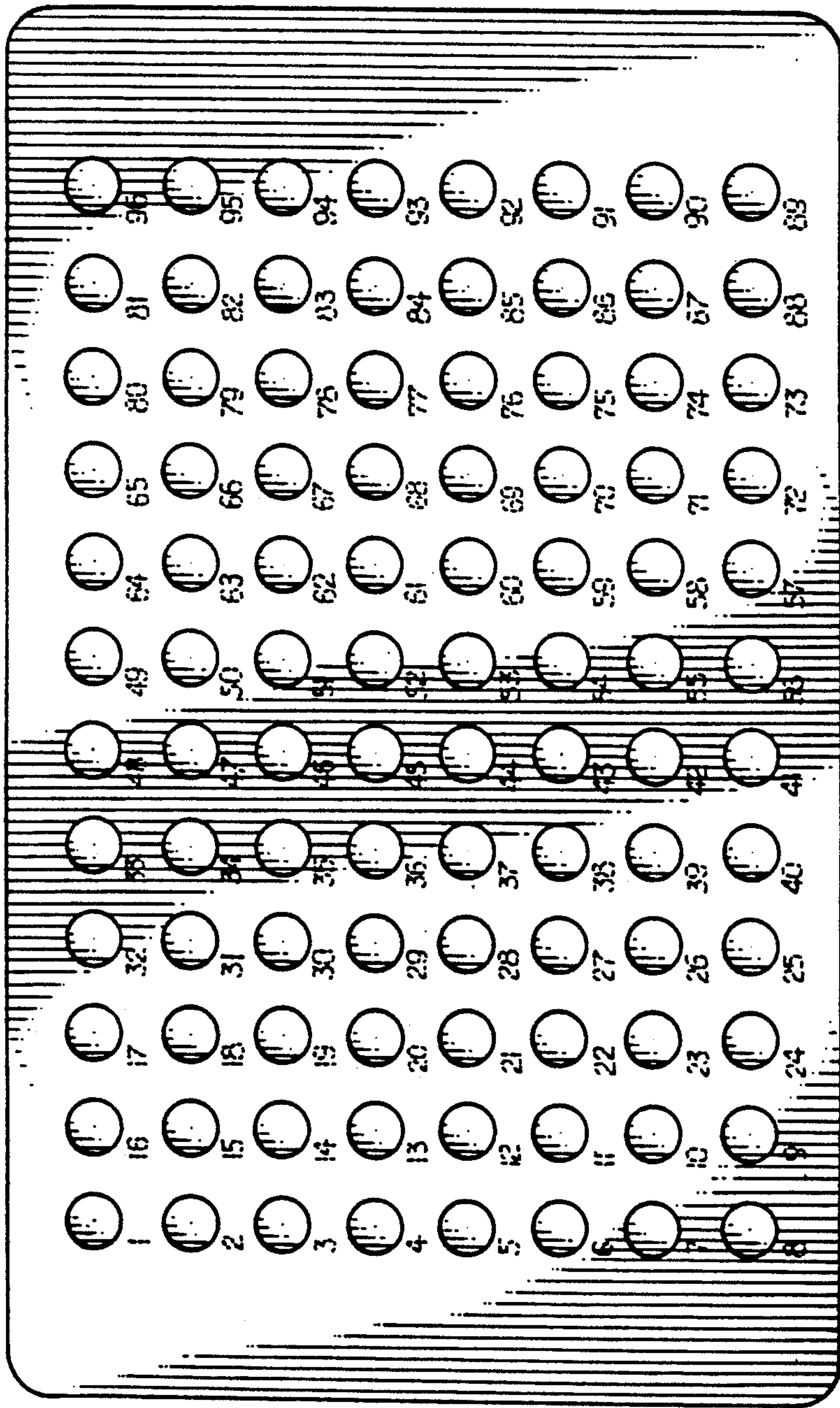


FIG. 2

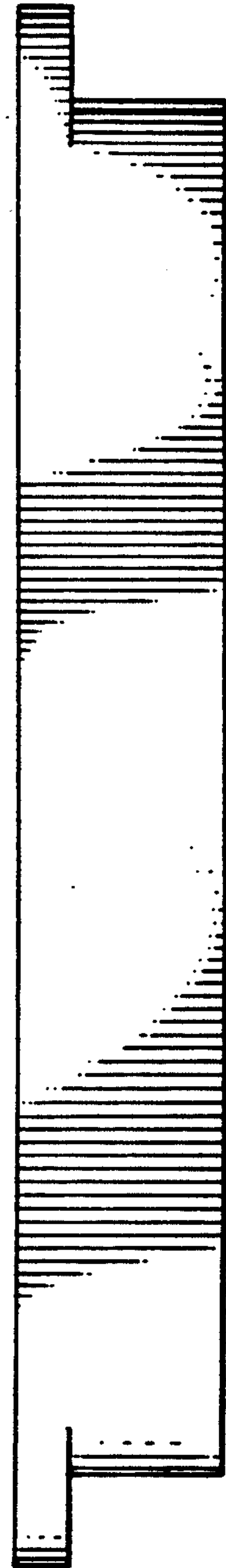


FIG. 3

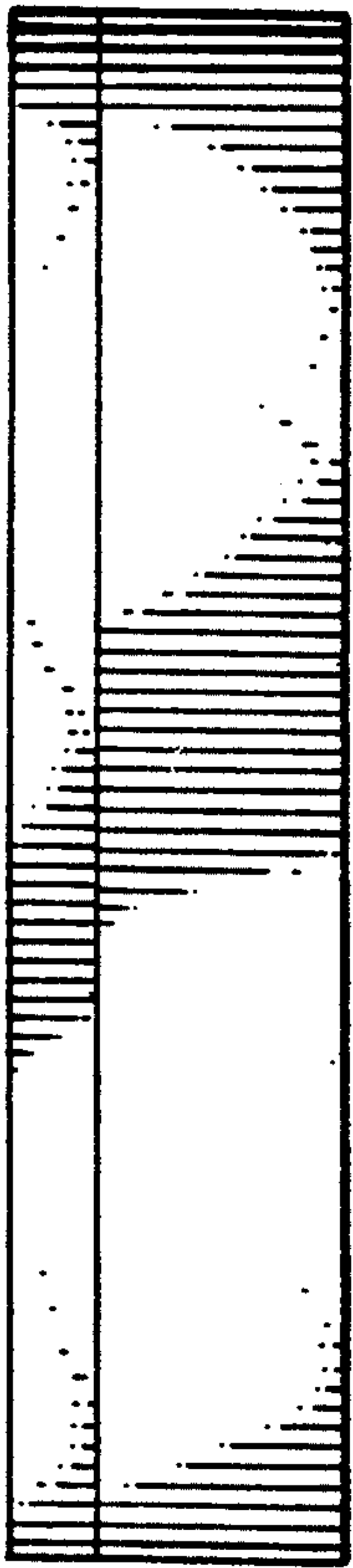


FIG. 4

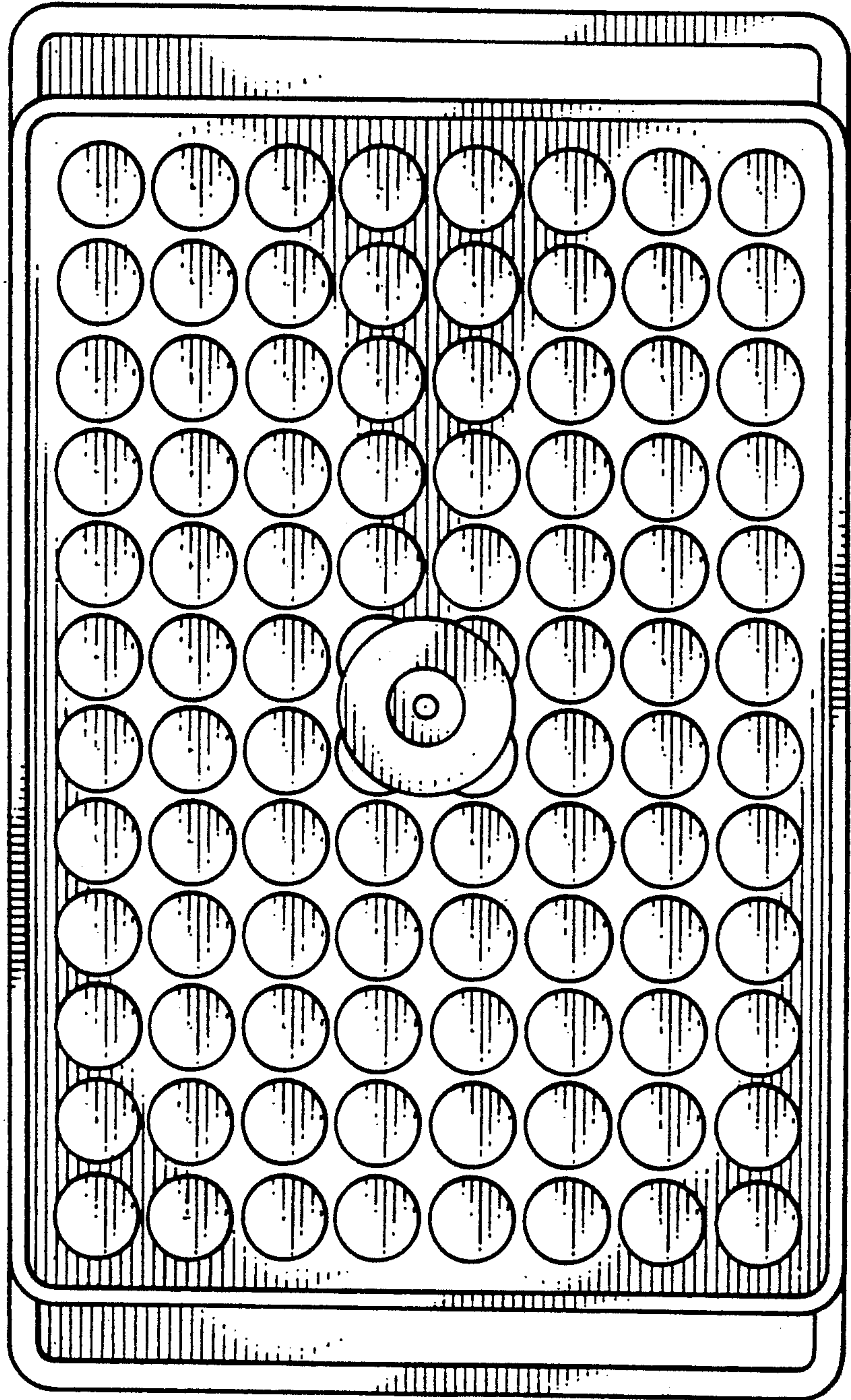


FIG. 5