



US00D337163S

# United States Patent [19]

[11] Patent Number: **Des. 337,163**

James

[45] Date of Patent: **\*\* Jul. 6, 1993**

[54] **ULTRASONIC DENTURE CLEANER FOR HOUSEHOLD USE**

D. 243,556 3/1977 Thomas et al. .... D24/217  
D. 261,423 10/1981 Geissler ..... D24/217

[76] Inventor: **Brian James, 721 Timberline Rd., Monticello, Iowa 52310**

*Primary Examiner*—Ruth McInroy  
*Attorney, Agent, or Firm*—Allan L. Harms

[\*\*] Term: **14 Years**

[57] **CLAIM**

[21] Appl. No.: **891,467**

The ornamental design for an ultrasonic denture cleaner for household use, as shown and described.

[22] Filed: **Jun. 1, 1992**

**DESCRIPTION**

[52] U.S. Cl. .... **D24/217**

[58] Field of Search ..... **D32/1; 134/135, 90, 134/184, 84; D24/217, 218; 422/20, 28, 31**

FIG. 1 is a front left perspective view of an ultrasonic denture cleaner for household use, showing my new design;

FIG. 2 is a right side elevation view thereof;

FIG. 3 is a bottom plan view thereof;

FIG. 4 is a top plan view thereof;

FIG. 5 is a left side elevation view thereof;

FIG. 6 is a front elevation view thereof; and,

FIG. 7 is a rear elevation view thereof.

[56] **References Cited**

**U.S. PATENT DOCUMENTS**

D. 203,218 12/1965 Harrison ..... D24/217  
D. 226,289 2/1973 Welch ..... D24/217  
D. 229,220 11/1973 Pulos et al. .... D24/217

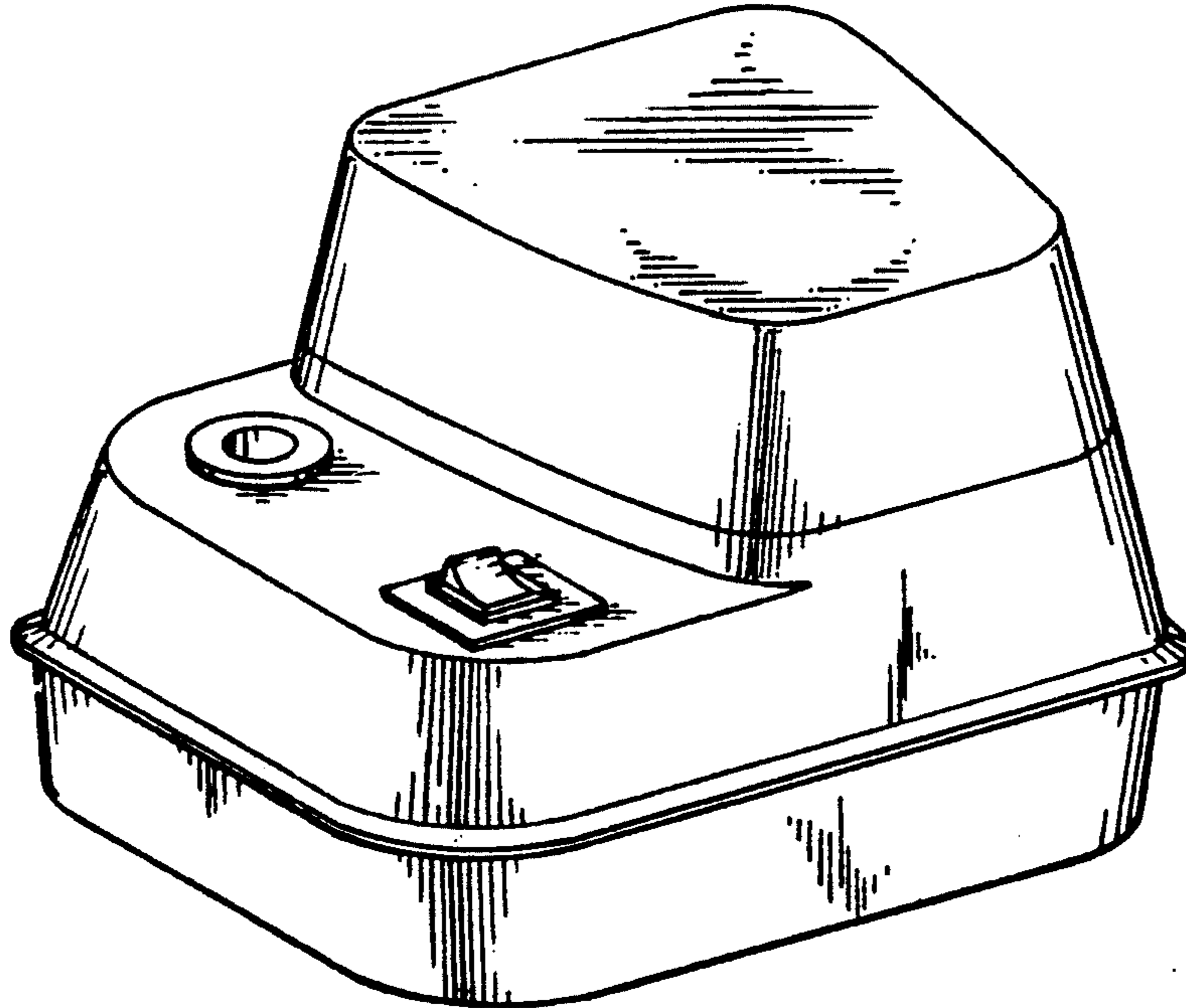


FIG. 1

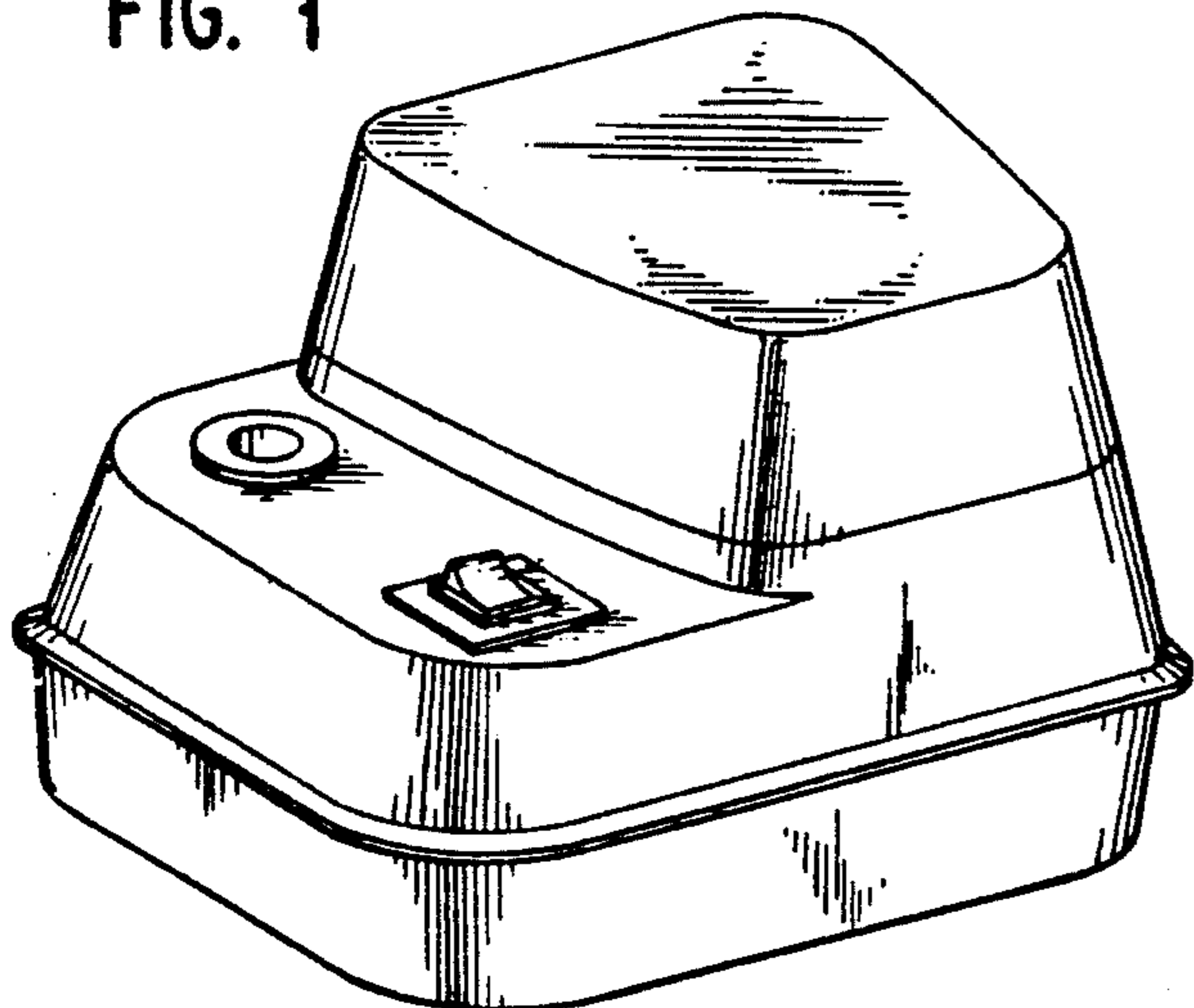


FIG. 2

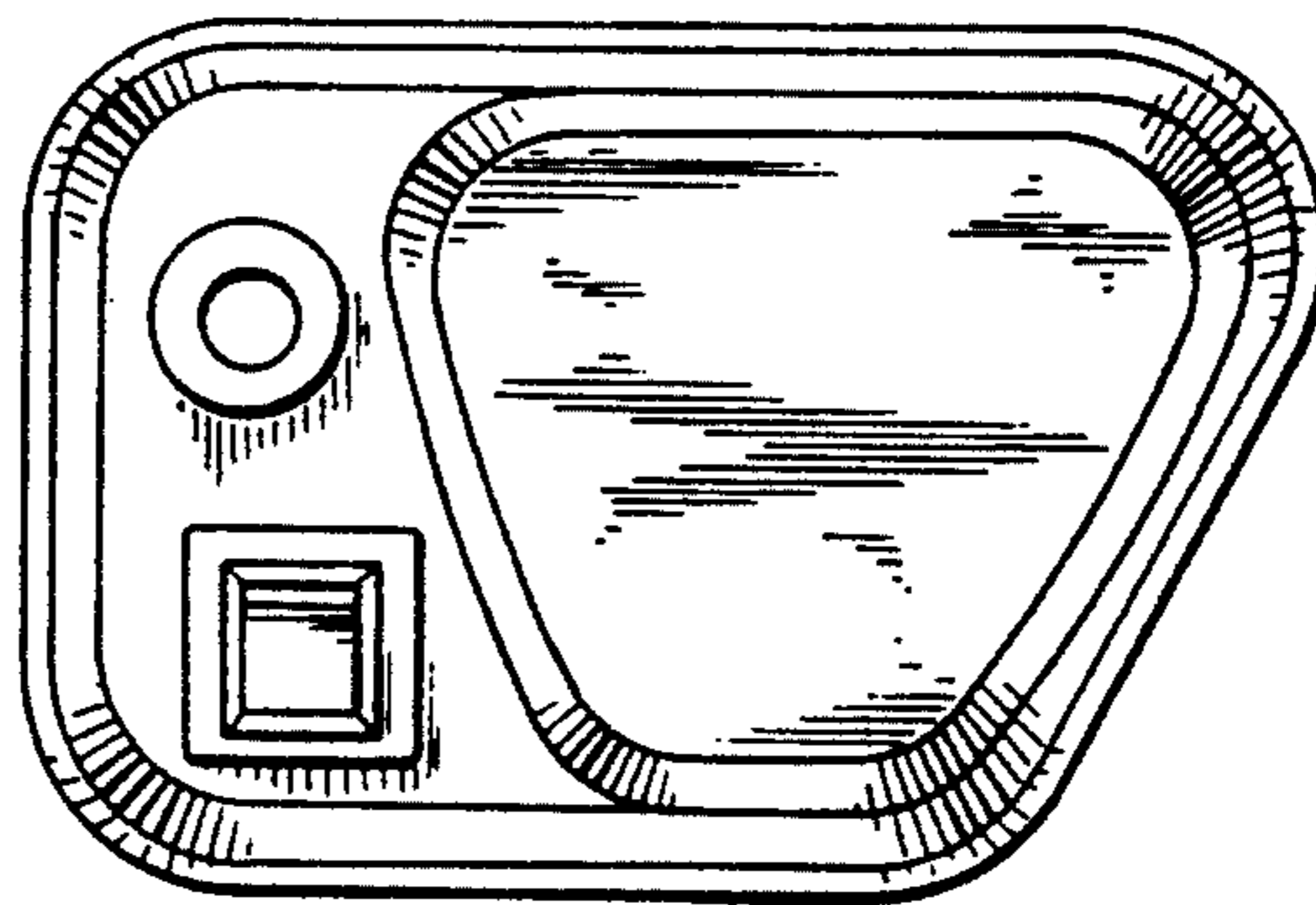
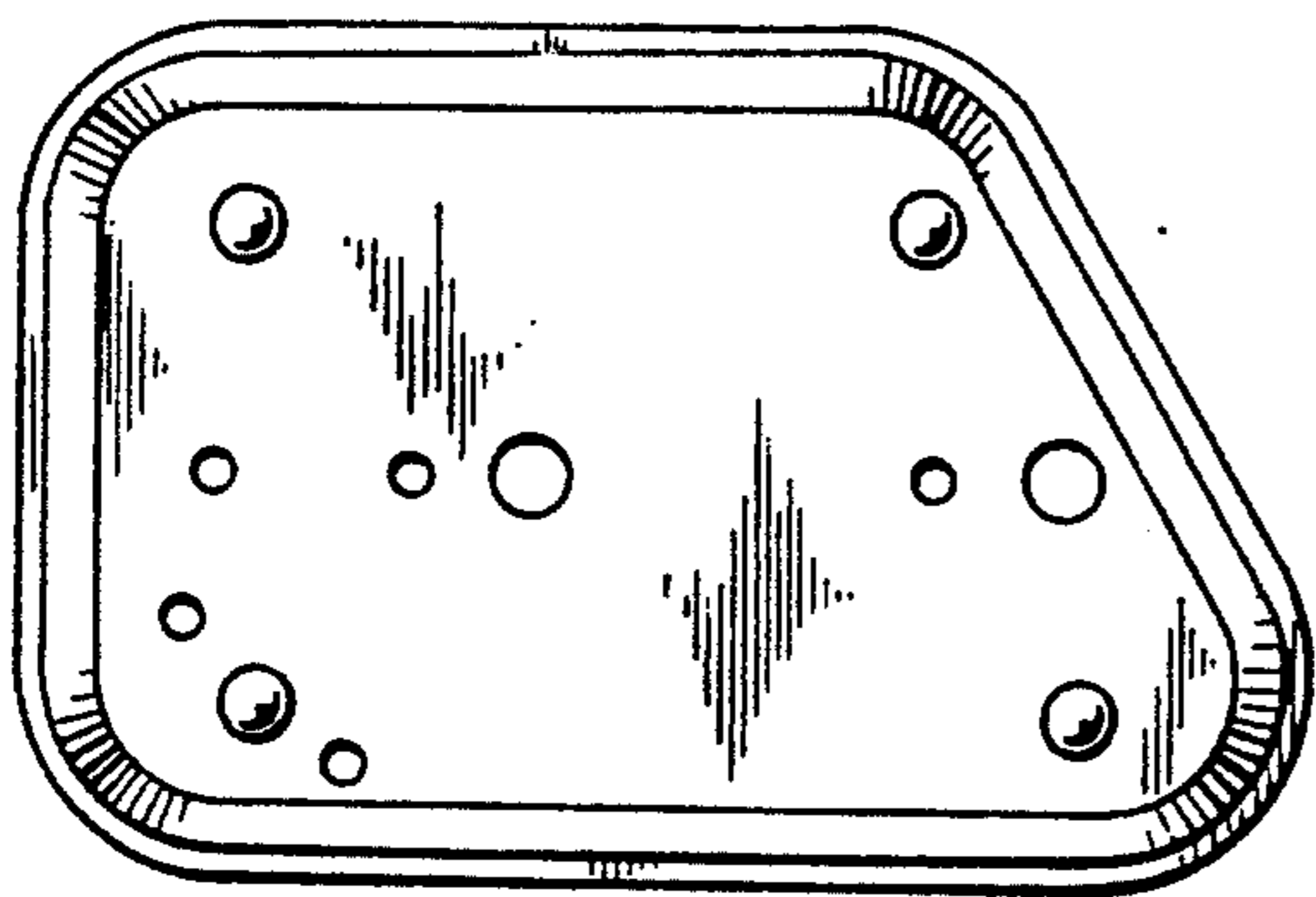
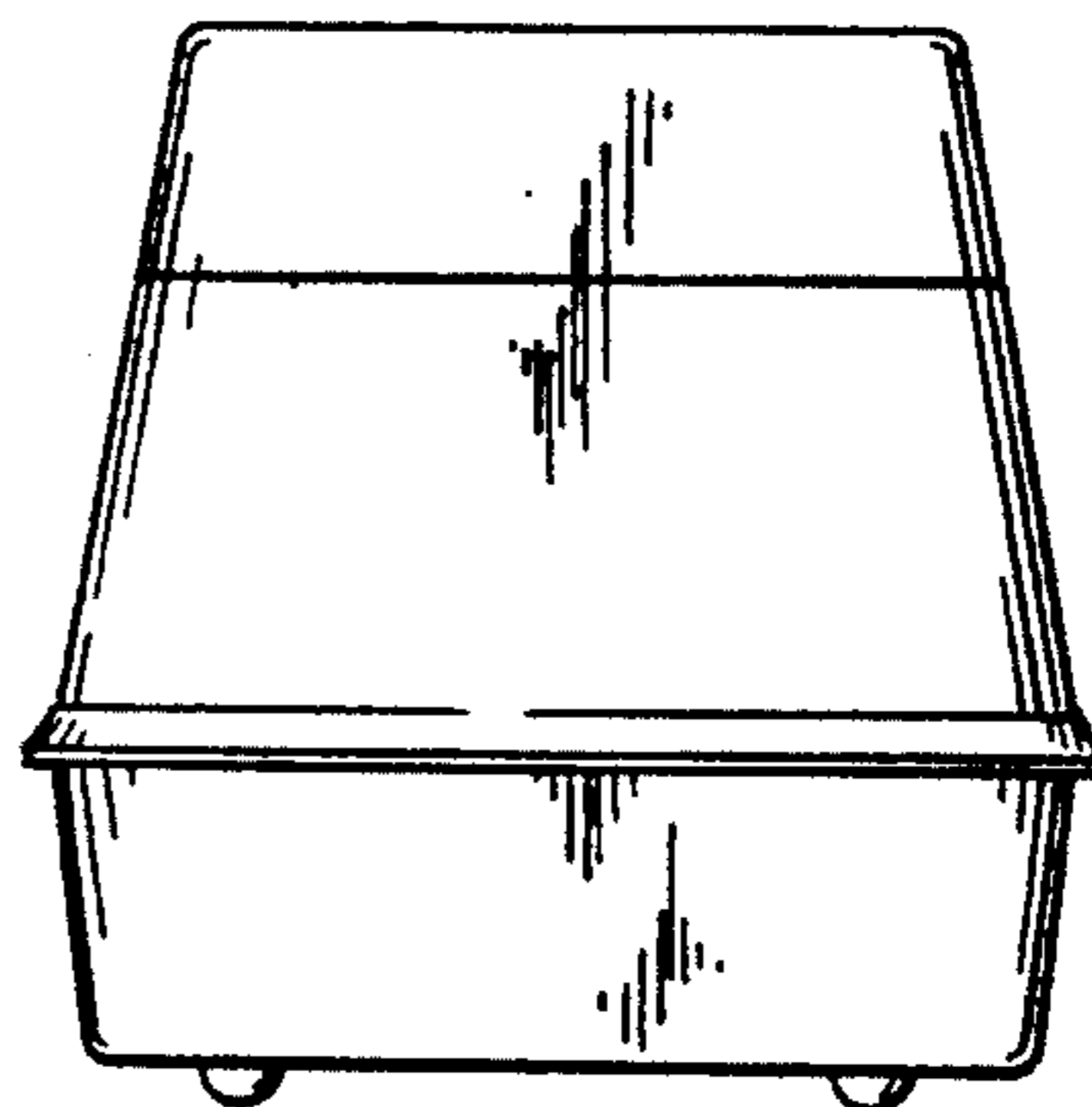


FIG. 3

FIG. 4

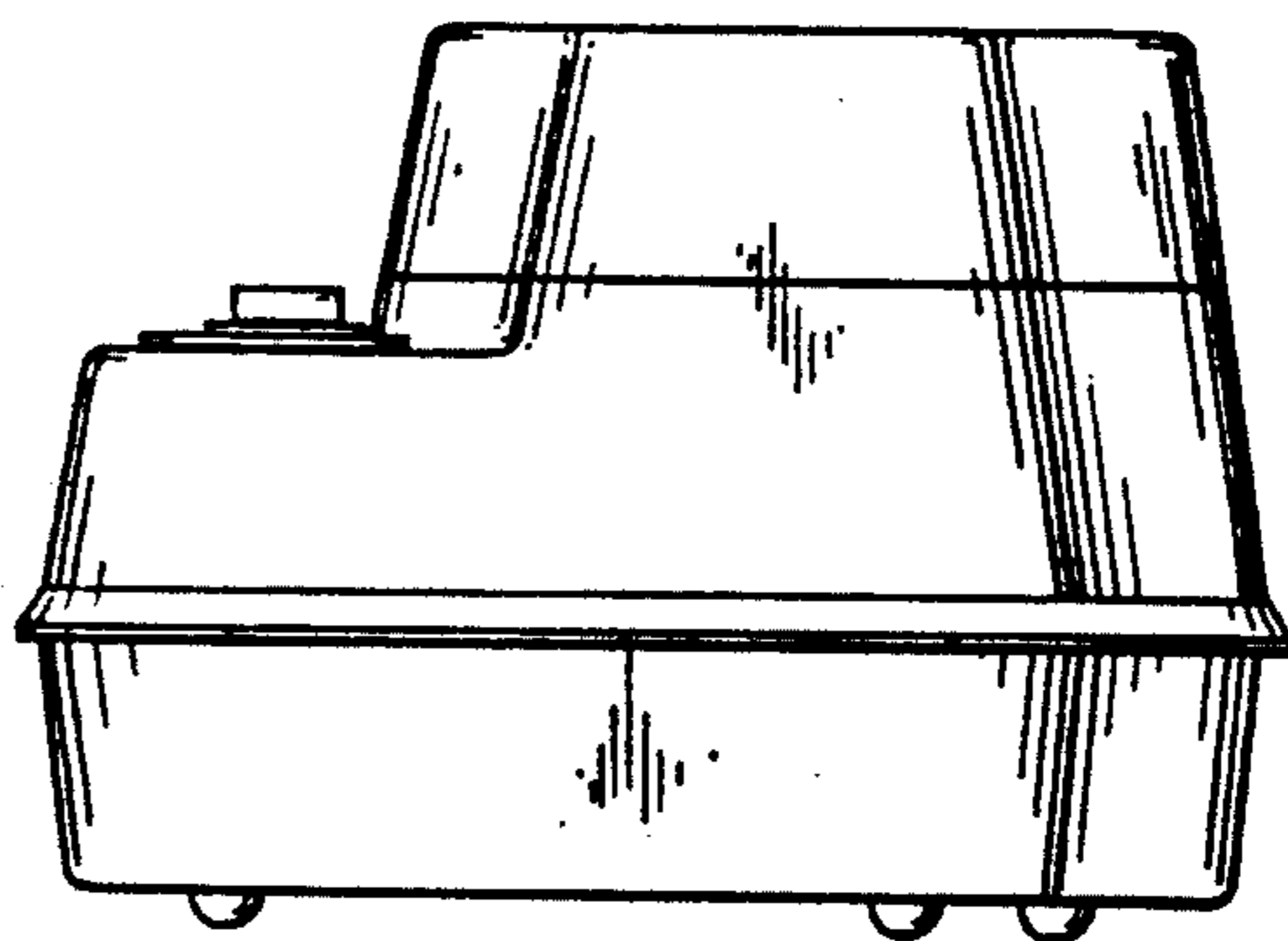
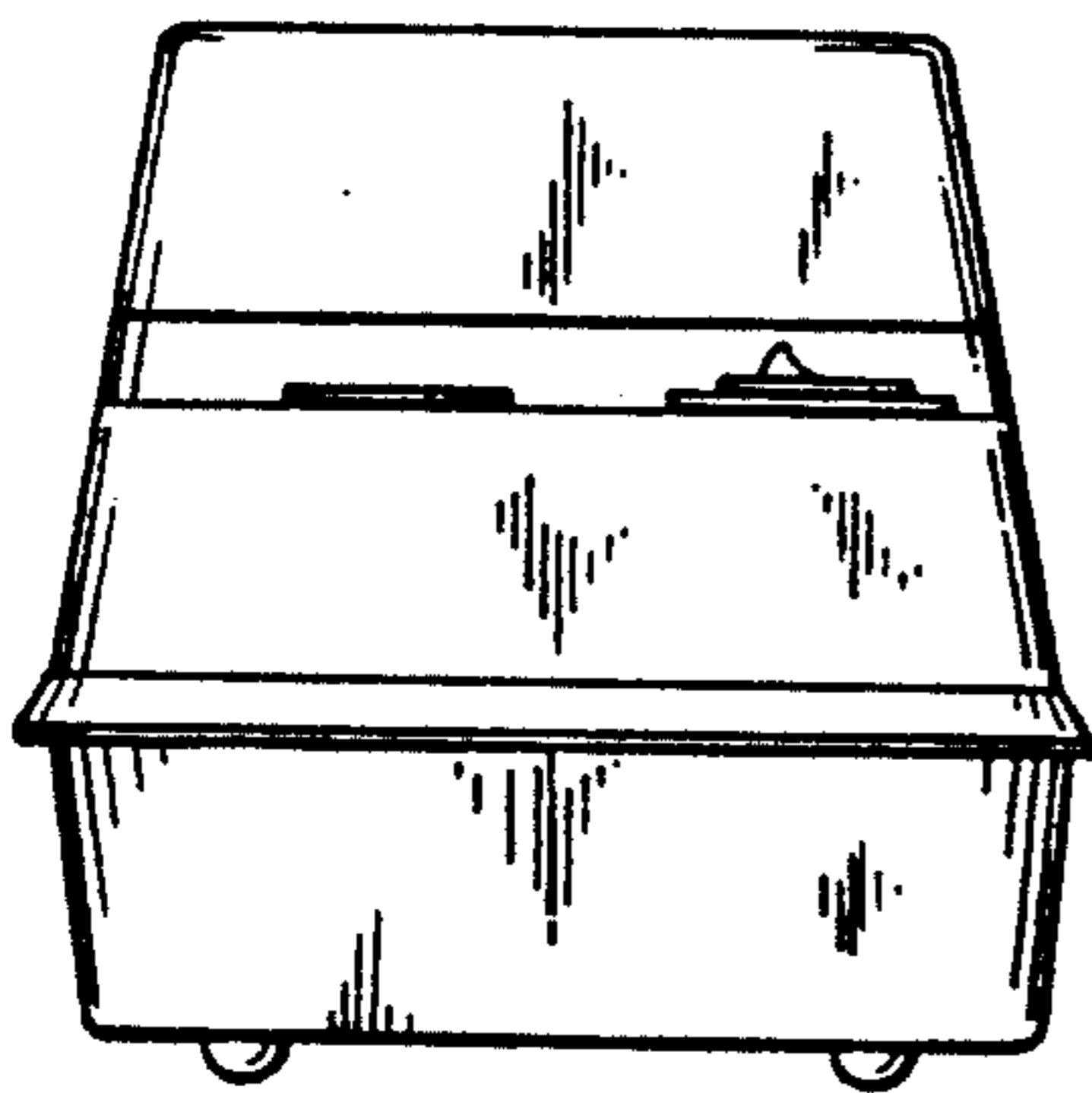


FIG. 5

FIG. 6

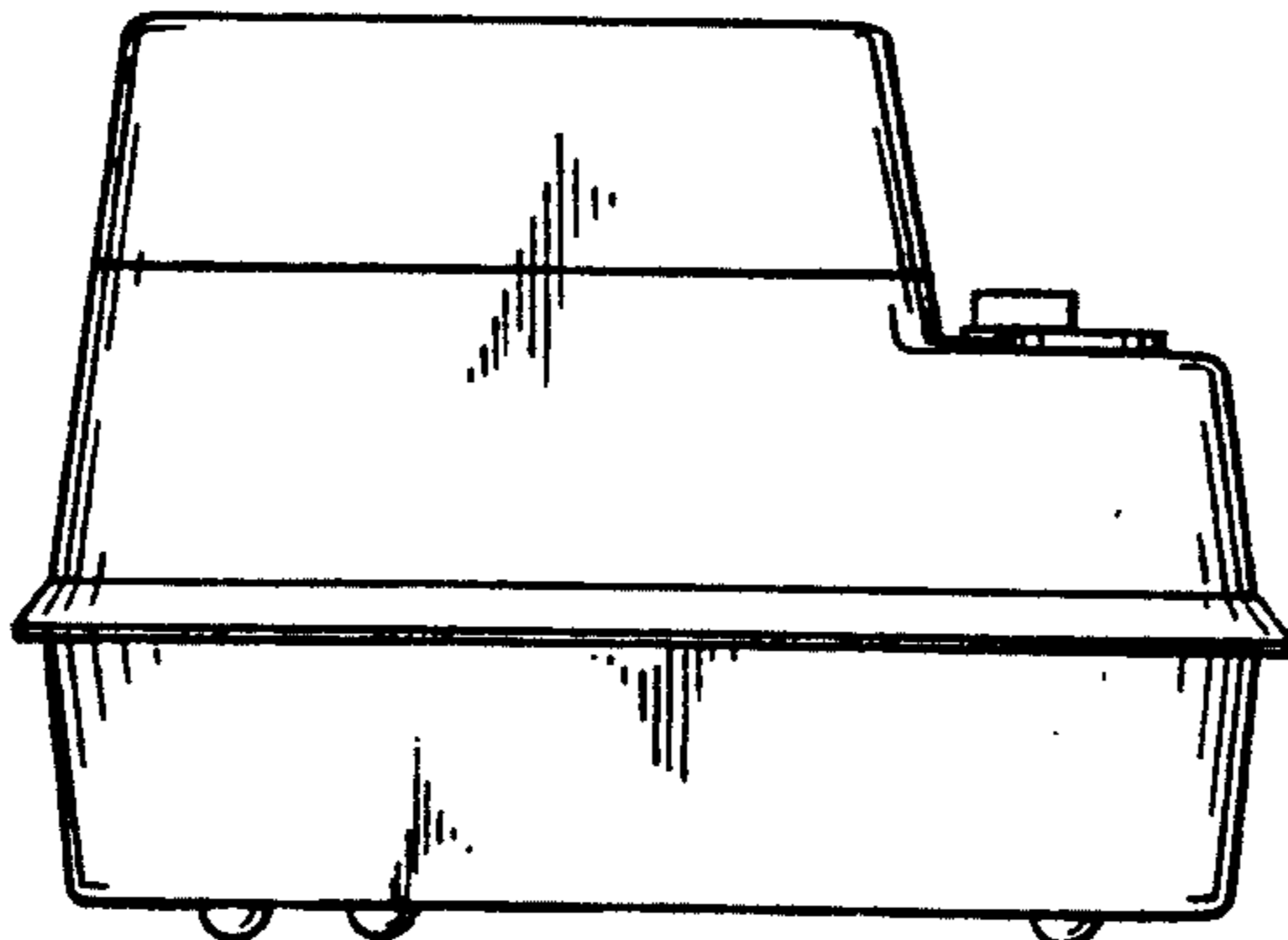


FIG. 7