



US00D337159S

United States Patent [19]

[11] Patent Number: **Des. 337,159**

Hunt

[45] Date of Patent: **** Jul. 6, 1993**

[54] **CARTRIDGE FOR SURGICAL CLIP APPLIER**

[75] Inventor: **John V. Hunt, Milford, Ohio**

[73] Assignee: **Ethicon, Inc., Cincinnati, Ohio**

[**] Term: **14 Years**

[21] Appl. No.: **773,086**

[22] Filed: **Oct. 8, 1991**

[52] U.S. Cl. **D24/145**

[58] Field of Search **D24/145, 146, 147, 138, D24/137; 227/19, 176, 179, 901, 902; 606/142, 143, 139, 151**

[56] **References Cited**

U.S. PATENT DOCUMENTS

D. 253,613	12/1979	Jarvik et al.	D24/145
D. 297,764	9/1988	Hunt et al.	D24/145
D. 326,323	5/1992	Hunt et al.	D24/145
4,509,518	4/1985	McGarry et al.	D24/145 X
5,084,057	1/1992	Green et al.	606/142
5,104,394	4/1992	Knoepfler	606/143
5,112,343	5/1992	Thornton	606/142 X
5,171,249	12/1992	Stefanchik et al.	606/142

Primary Examiner—Stella Reid
Assistant Examiner—Ian Simmons
Attorney, Agent, or Firm—Dressler, Goldsmith, Shore, Sutker & Milnamow Ltd.

[57] **CLAIM**

The ornamental design for a cartridge for surgical clip applier, as shown and described.

DESCRIPTION

FIG. 1 is a perspective view of a cartridge for a surgical clip applier in accordance with the present invention, the portion broken away being of unornamental cylindrical design and is of indefinite length;

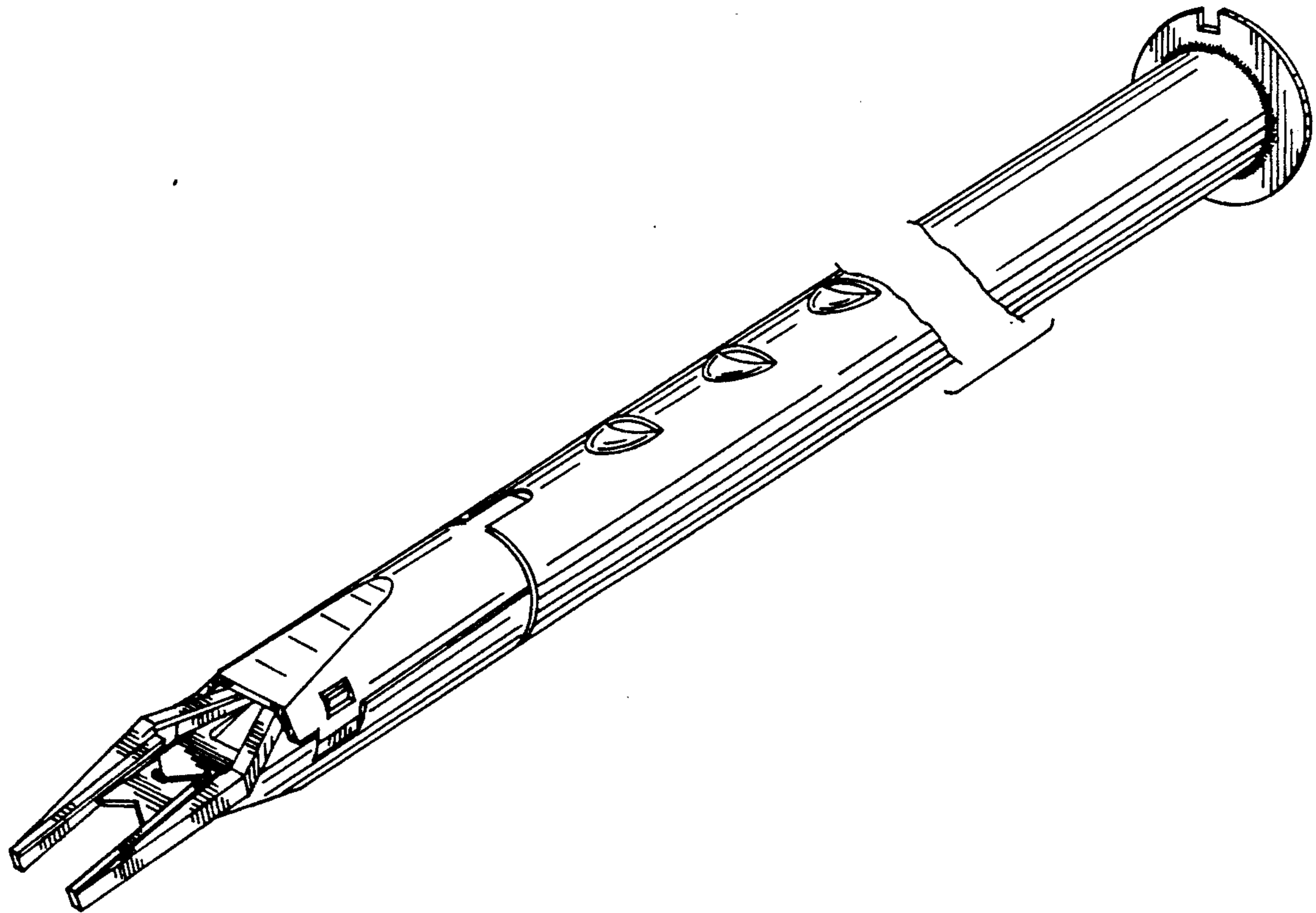
FIG. 2 is a side elevational view of the cartridge shown in FIG. 1;

FIG. 3 is a top plan view of the cartridge shown in FIG. 1;

FIG. 4 is a bottom plan view of the cartridge shown in FIG. 1;

FIG. 5 is a left side end elevational view of the cartridge shown in FIG. 1; and,

FIG. 6 is a right side end elevational view of the cartridge shown in FIG. 1.



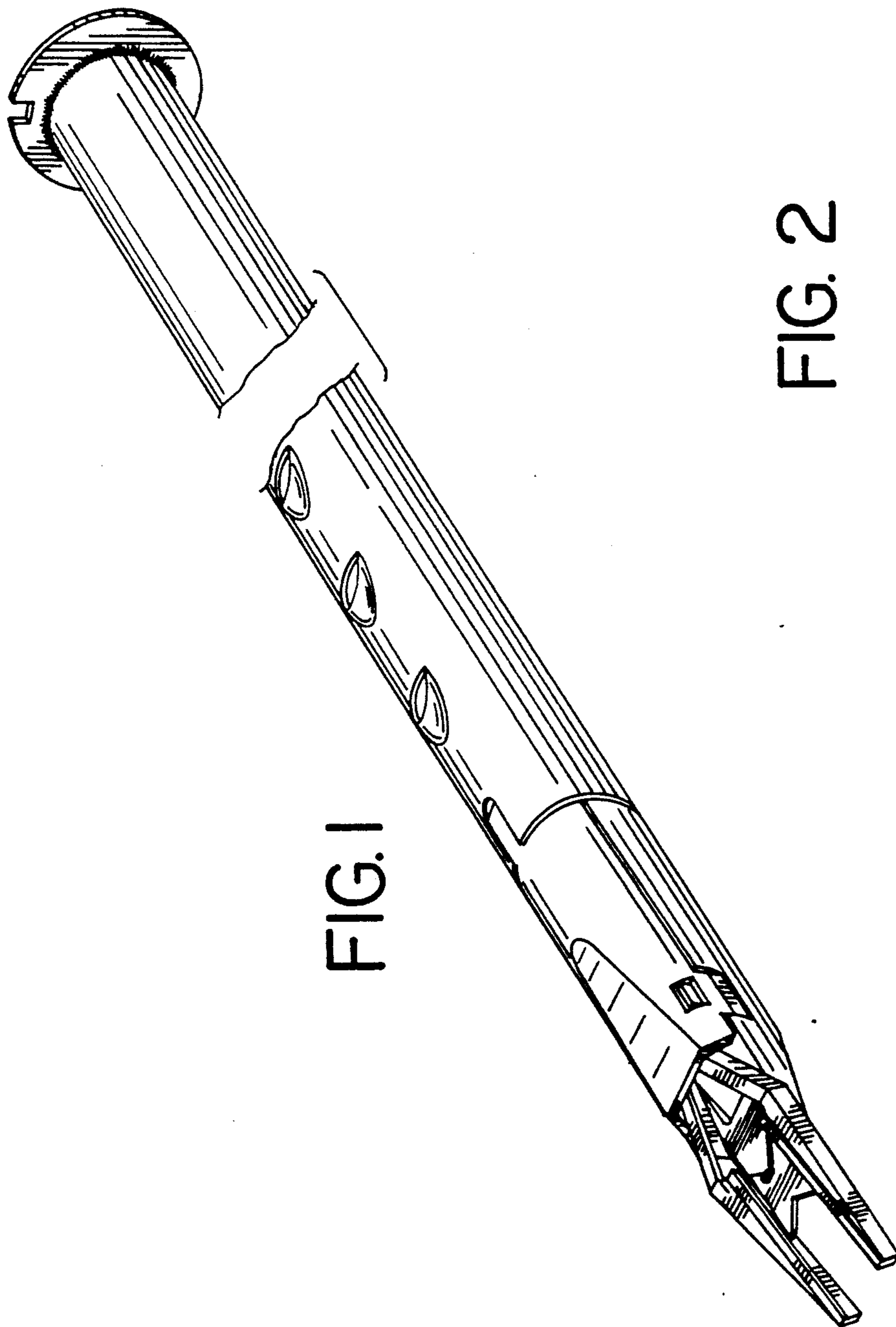


FIG. 2

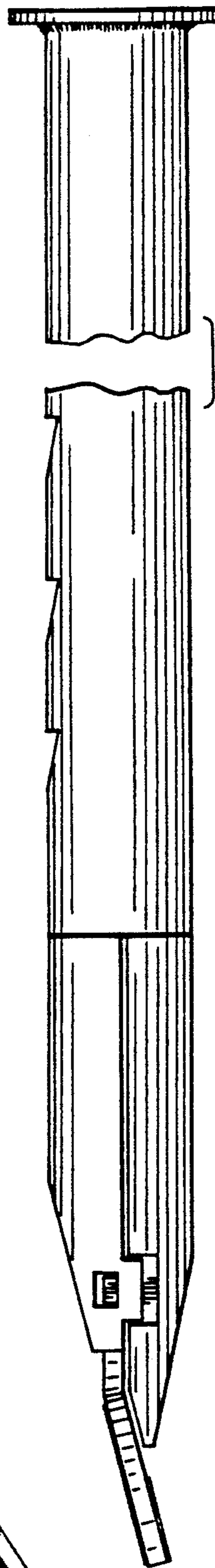


FIG. 3

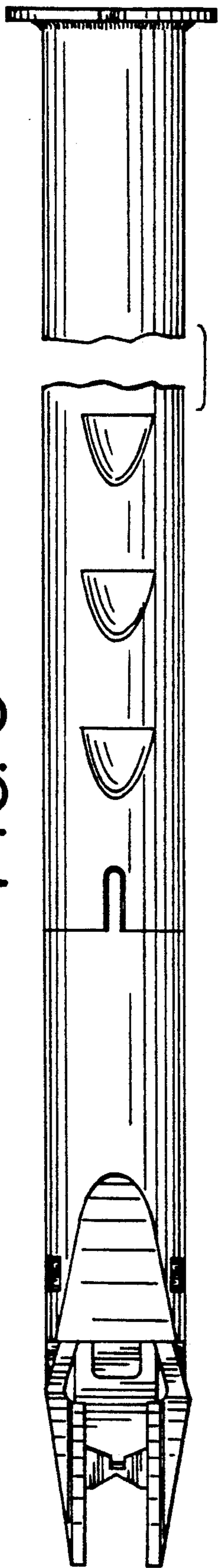


FIG. 4

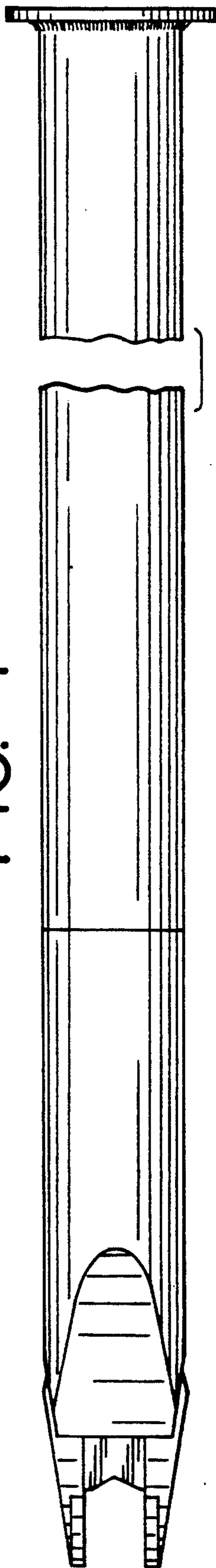


FIG. 5

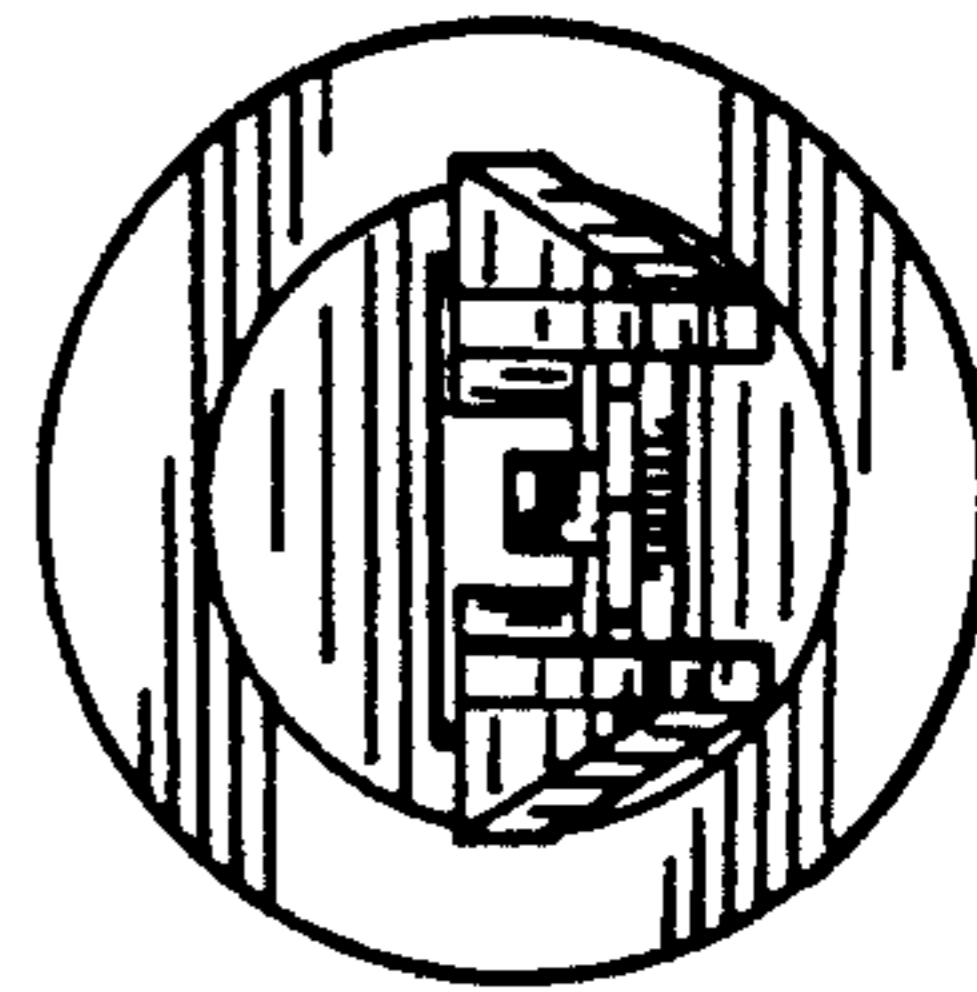


FIG. 6

