



US00D337154S

United States Patent [19] Simpson

[11] Patent Number: **Des. 337,154**

[45] Date of Patent: **** Jul. 6, 1993**

[54] **WATER CATCHER FOR AN APPLIANCE**

4,889,155 12/1989 Trotter, Sr. 137/312
4,903,723 2/1990 Sublett 4/251.1 X

[76] Inventor: **Jimmie H. Simpson**, Rt. 7, Box 131,
Russellville, Ala. 35653

Primary Examiner—James R. Largent
Attorney, Agent, or Firm—Terry M. Gernstein

[**] Term: **14 Years**

[57] **CLAIM**

[21] Appl. No.: **486,191**

The ornamental design for a water catcher for an appliance, as shown and described.

[22] Filed: **Feb. 28, 1990**

[52] U.S. Cl. **D23/270; D23/283**

[58] Field of Search **D23/275, 283, 303-307,
D23/270; 4/251.18, 251.2; 134/104.28, 200;
137/312, 313, 83, 62**

DESCRIPTION

[56] References Cited

U.S. PATENT DOCUMENTS

1,507,628	9/1924	Schuyler	137/312 X
2,130,930	9/1938	Rose	137/362 X
2,499,115	2/1950	Shobo	4/251.1
3,304,950	2/1967	Hubert	137/312
4,727,904	3/1988	Lease	.	
4,802,599	2/1989	Hill	.	
4,815,591	3/1989	Tivy	.	

FIG. 1 is a perspective view taken from the top, front and right side of a water catcher for an appliance showing my new design;

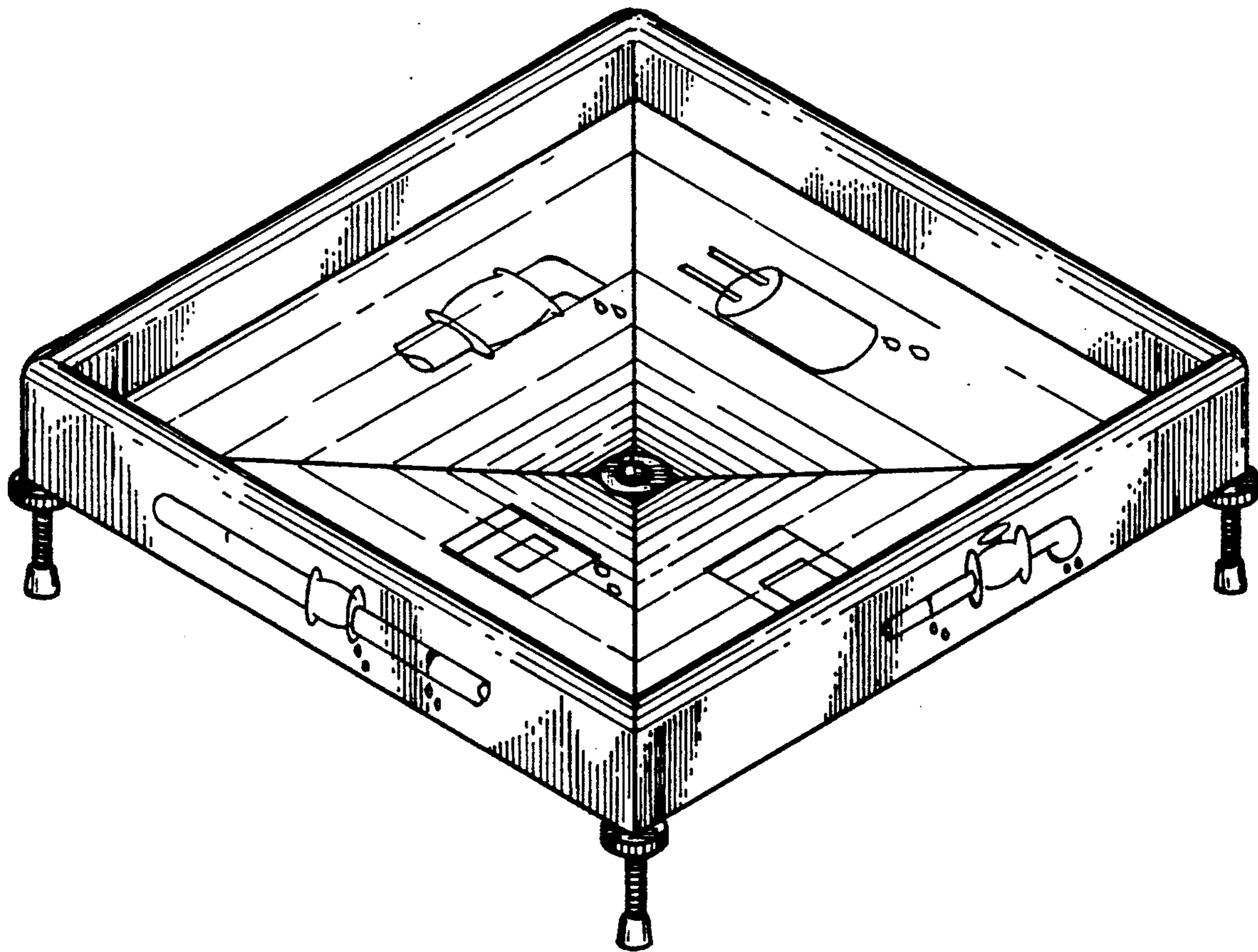
FIG. 2 is a top plan view thereof;

FIG. 3 is a front elevational view thereof, the rear being the same as the front;

FIG. 4 is a bottom view thereof; and,

FIG. 5 is right side elevational view thereof, the left side being the same as the right side.

The fragmentary broken line showing of a drain pipe in FIG. 3 is for purposes of illustration only and forms no part of the claimed design.



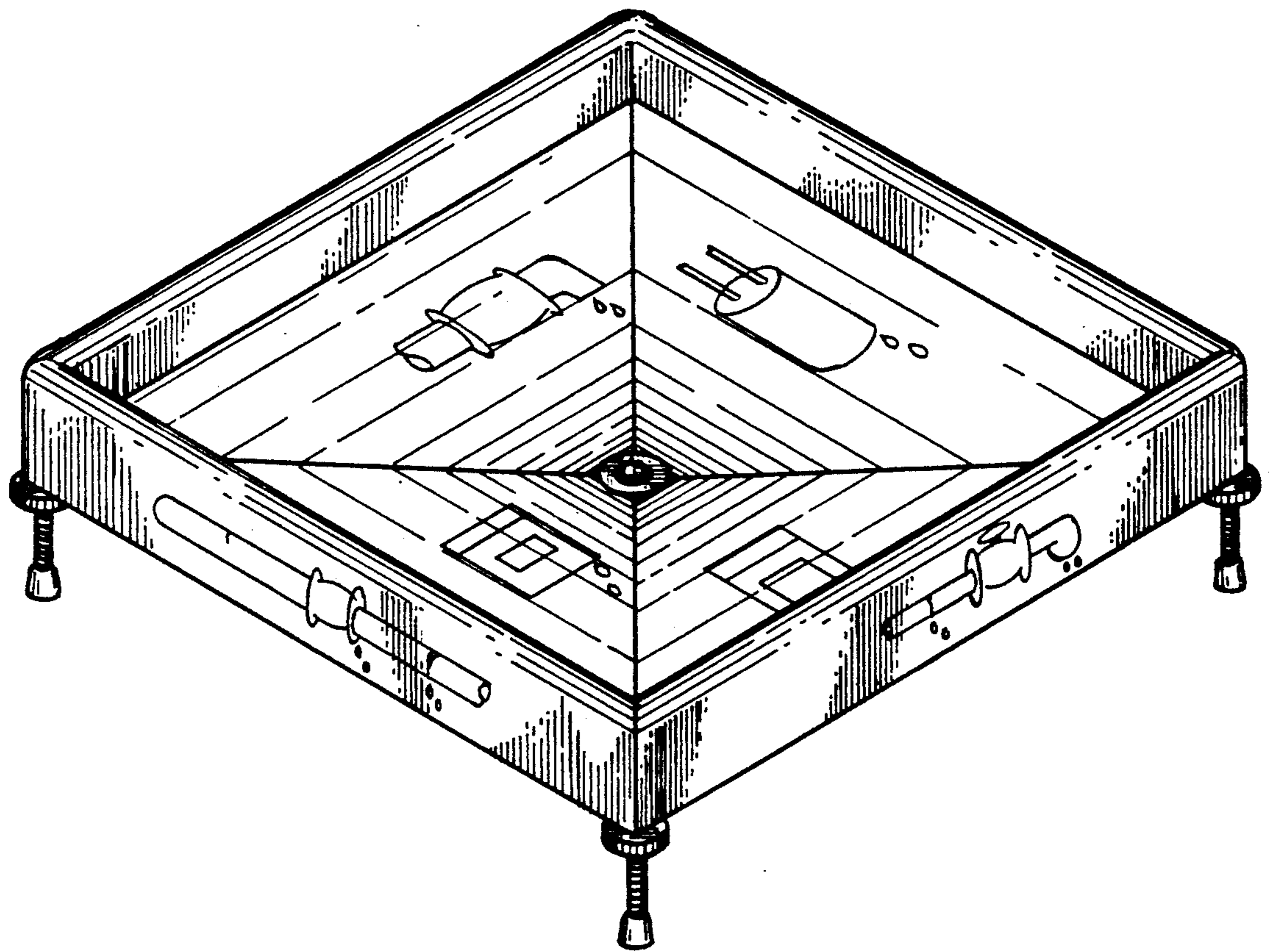


FIG. 1

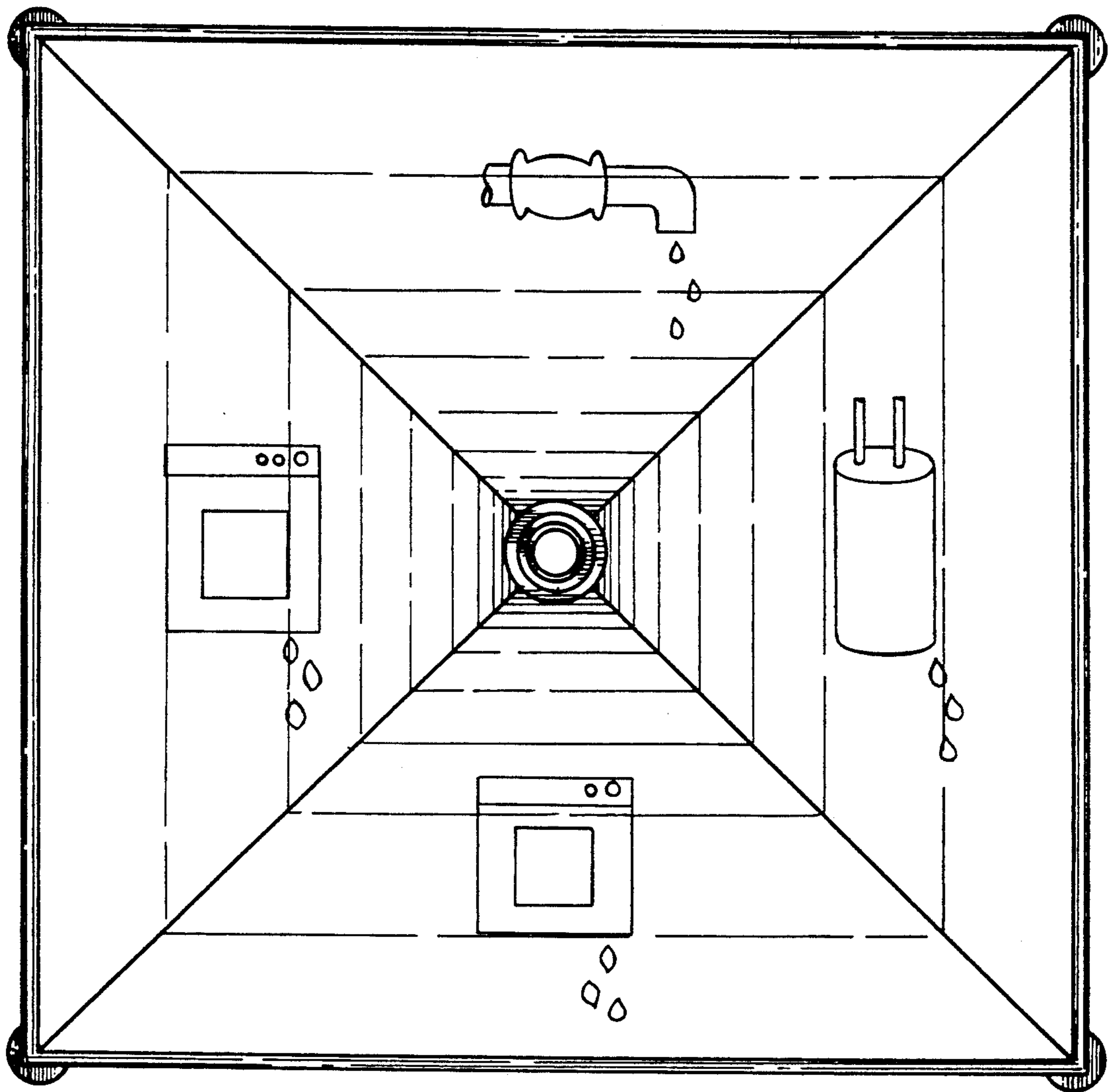


FIG. 2

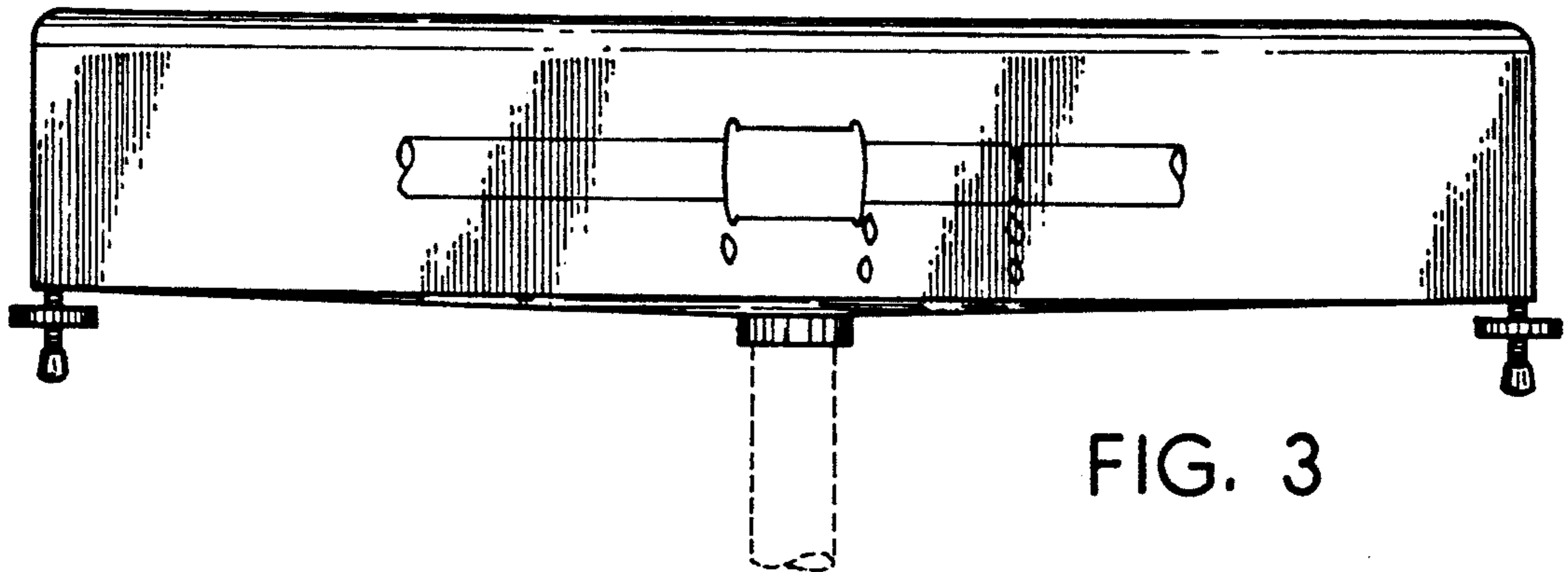


FIG. 3

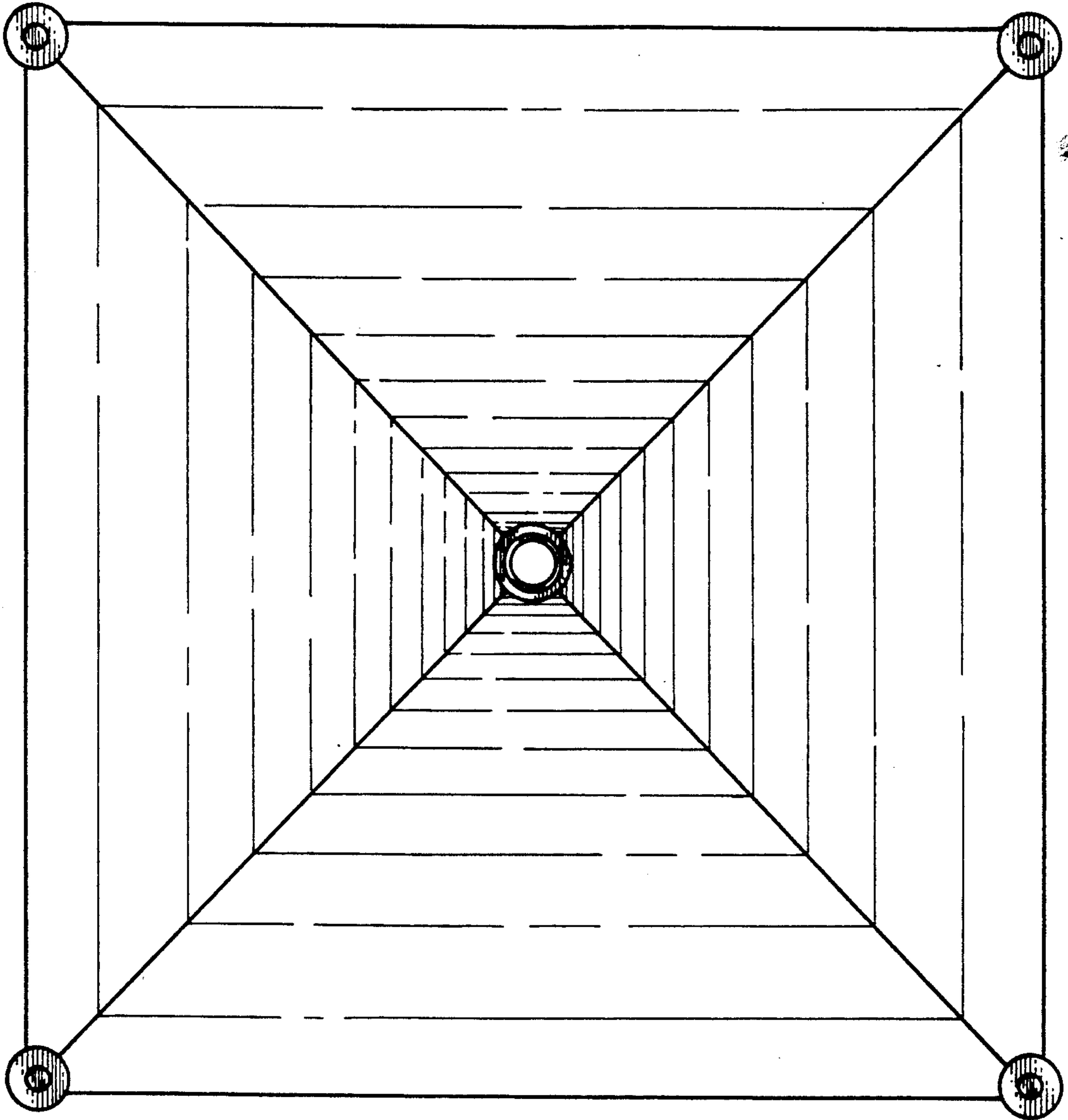


FIG. 4

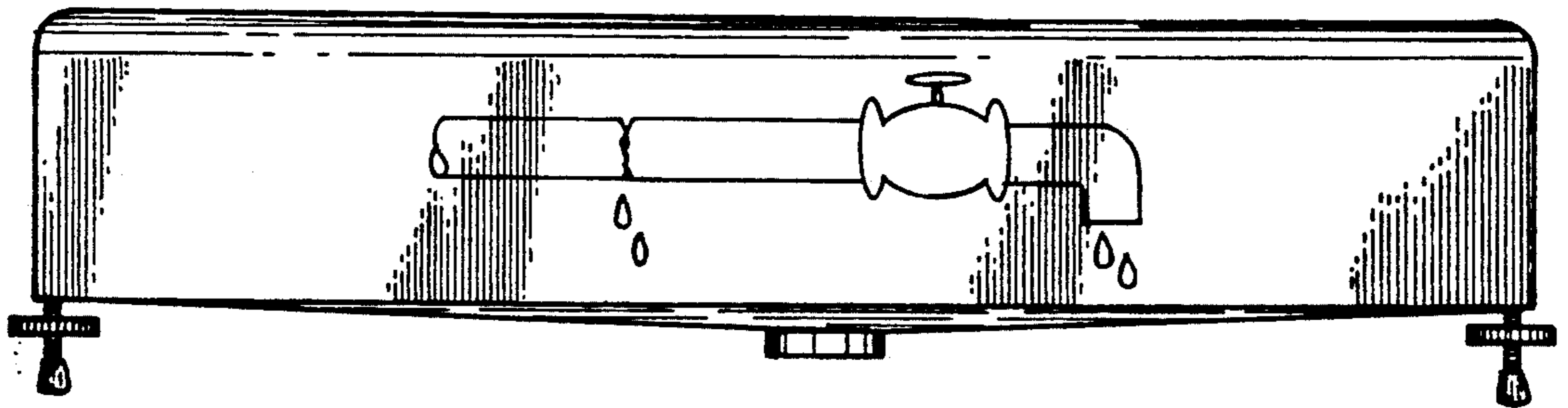


FIG. 5