



US00D337150S

United States Patent [19]

[11] Patent Number: **Des. 337,150**

Klee

[45] Date of Patent: **** Jul. 6, 1993**

[54] **SUPPORT FOR A WATER SPRINKLER**

[76] Inventor: **Stuart F. Klee, P.O. Box 762,
Kilmarnock, Va. 22482**

[**] Term: **14 Years**

[21] Appl. No.: **904,309**

[22] Filed: **Jun. 25, 1992**

[52] U.S. Cl. **D23/221; D23/215**

[58] Field of Search **D23/213, 214-222;
239/200-206, 222.11-223, 230-233, 273,
275-276, 288, 288.3, 288.5, 390-392, 443-444,
456, 468, 505, 518-524, 556-558, DIG. 1;
D21/148, 150, 166, 176**

D. 285,240	8/1986	Chow et al. .	
D. 301,603	6/1989	Herrera .	
824,020	4/1989	Harward	239/565 X
2,973,148	2/1961	Franz	239/288 X
2,999,643	9/1961	Kennedy	D23/214 X
4,787,557	11/1988	Jackson	239/200

Primary Examiner—Wallace R. Burke
Assistant Examiner—M. H. Tung
Attorney, Agent, or Firm—Lowe, Price, LeBlanc & Becker

[57] CLAIM

The design for a support for a water sprinkler, as shown and described.

DESCRIPTION

FIG. 1 is a front elevational view of a support for a water sprinkler in accordance with my new design; FIG. 2 is a rear elevational view thereof; FIG. 3 is a right side elevational view thereof; FIG. 4 is a left side elevational view thereof; FIG. 5 is a top view of the support of FIG. 1; and, FIG. 6 is a bottom view of the support of FIG. 1.

[56] References Cited

U.S. PATENT DOCUMENTS

D. 102,815	1/1937	Buoto	D21/166
D. 171,959	4/1954	Walling	D21/166
D. 216,369	12/1969	Tally	D21/166 X
D. 268,279	3/1983	Geher et al.	D23/215

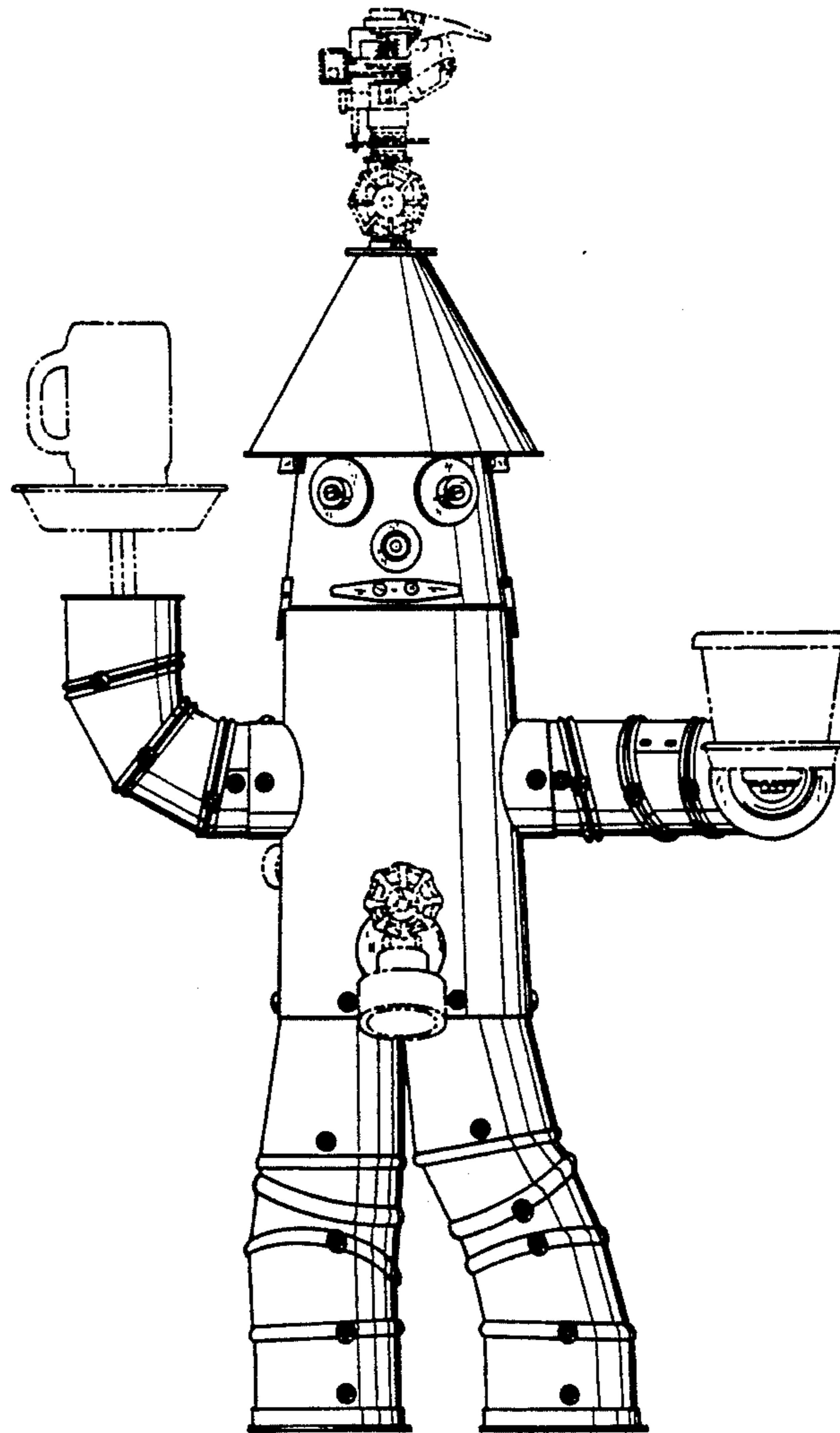


FIG. 1

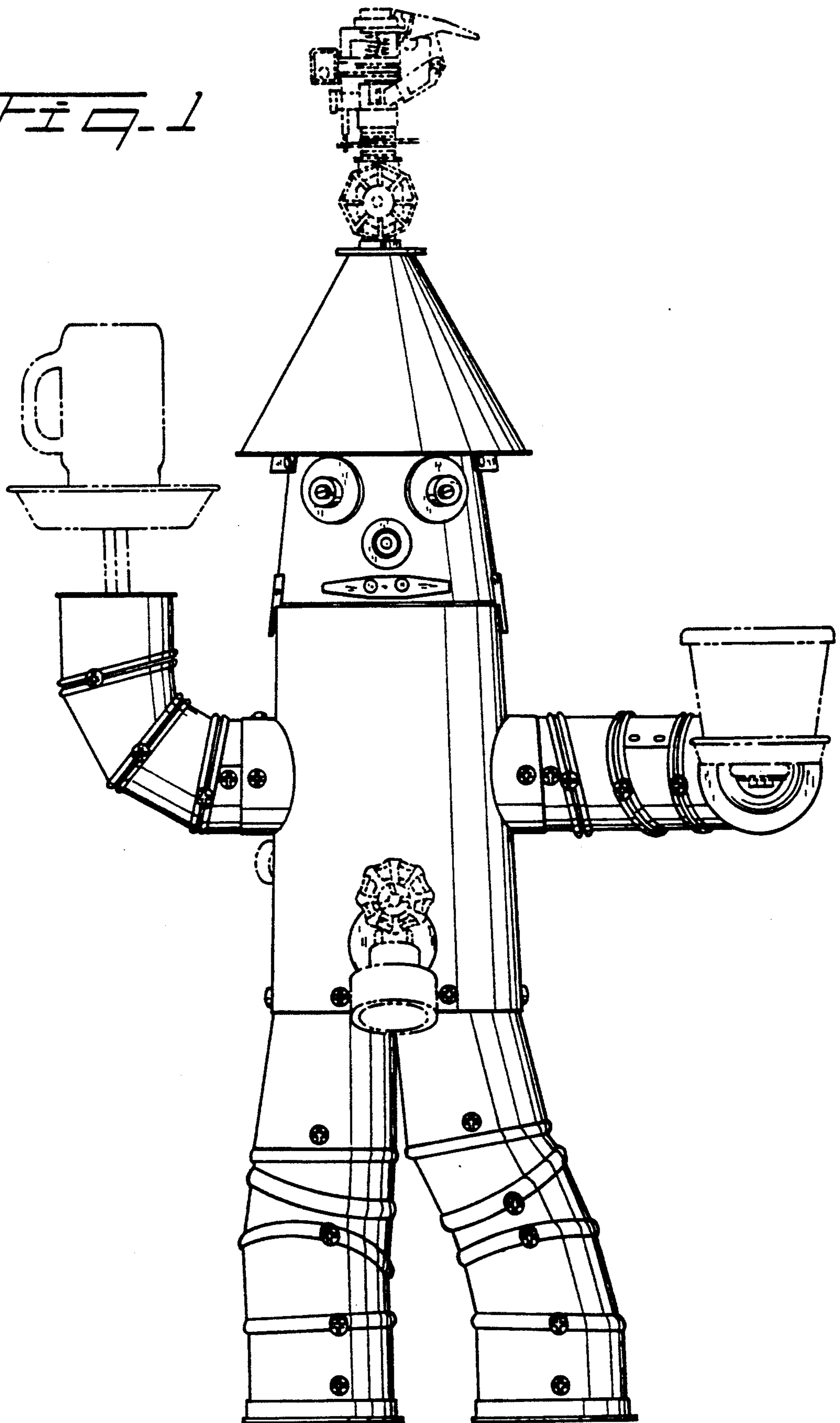


Fig. 2

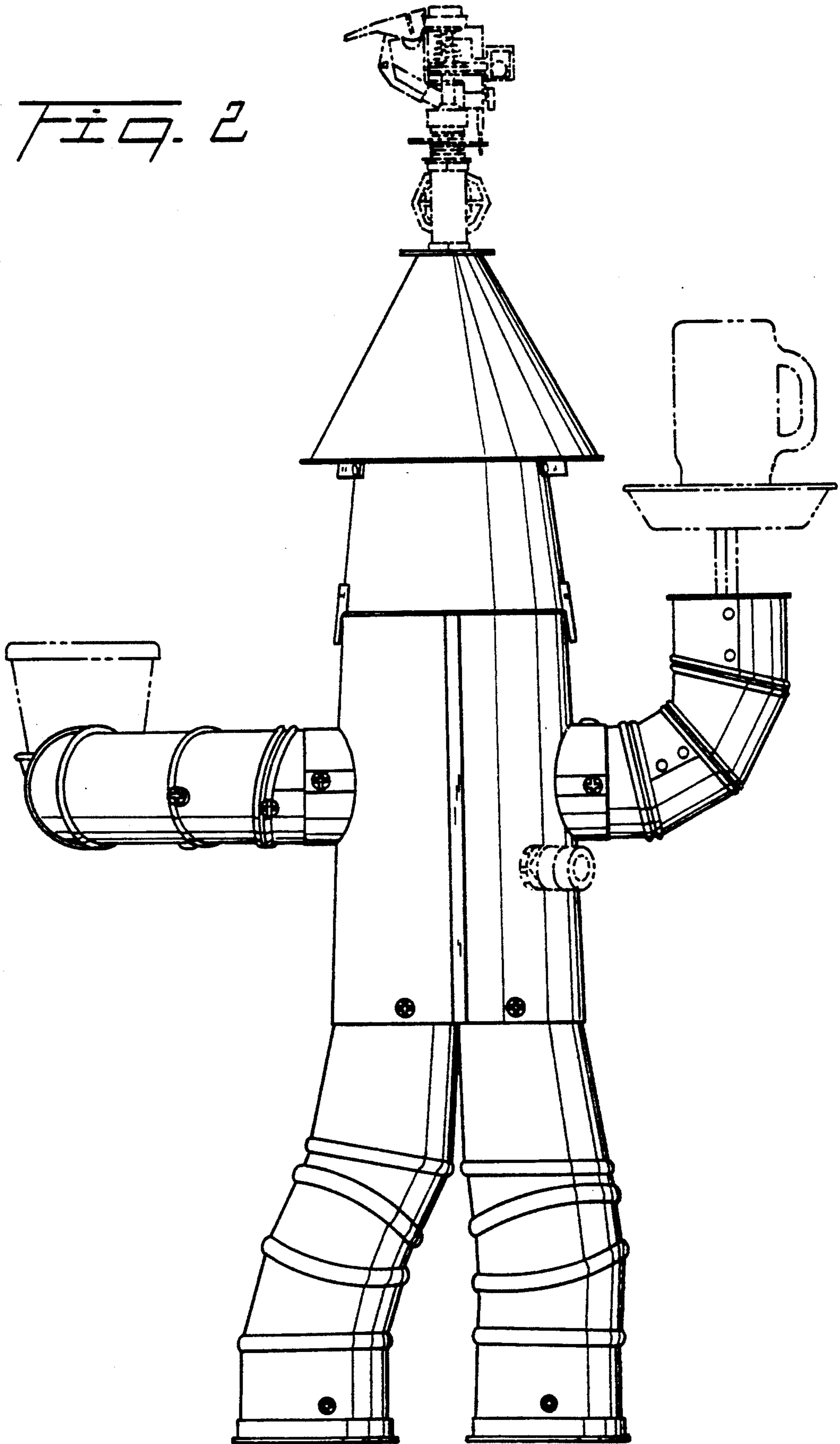


Fig. 3

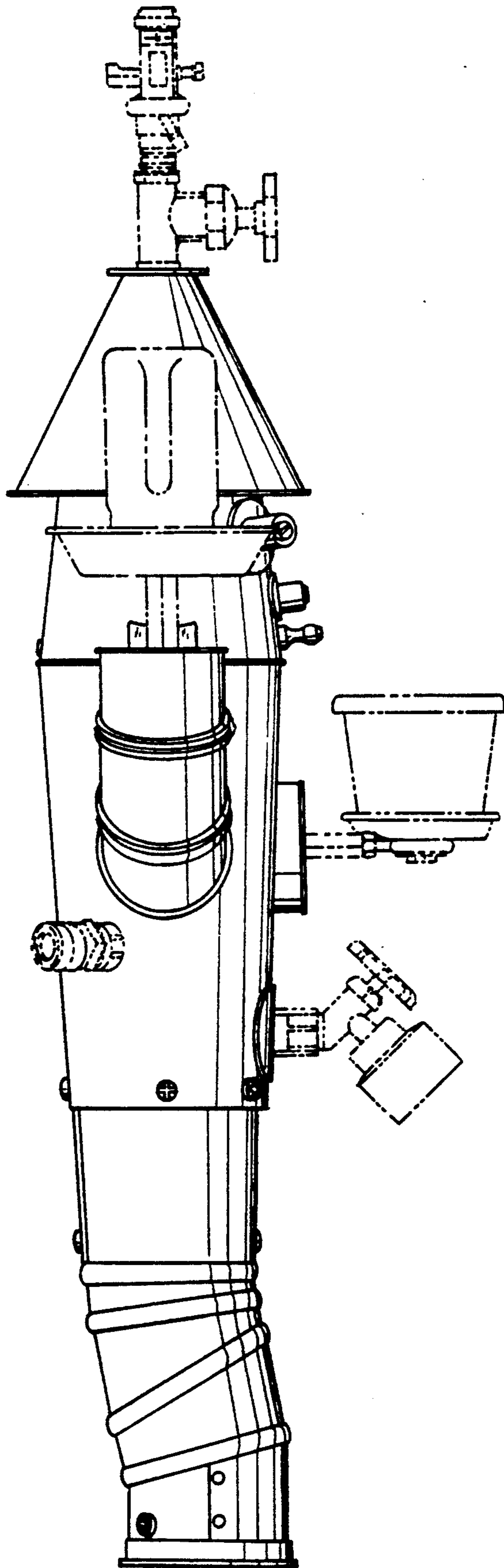
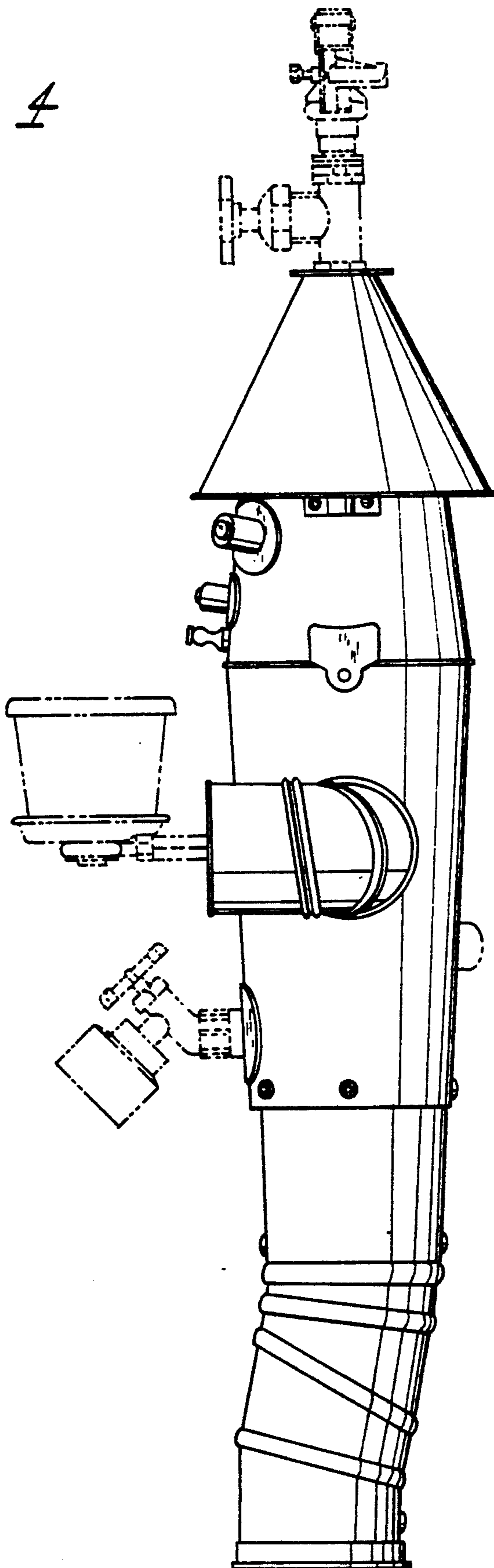


FIG. 4



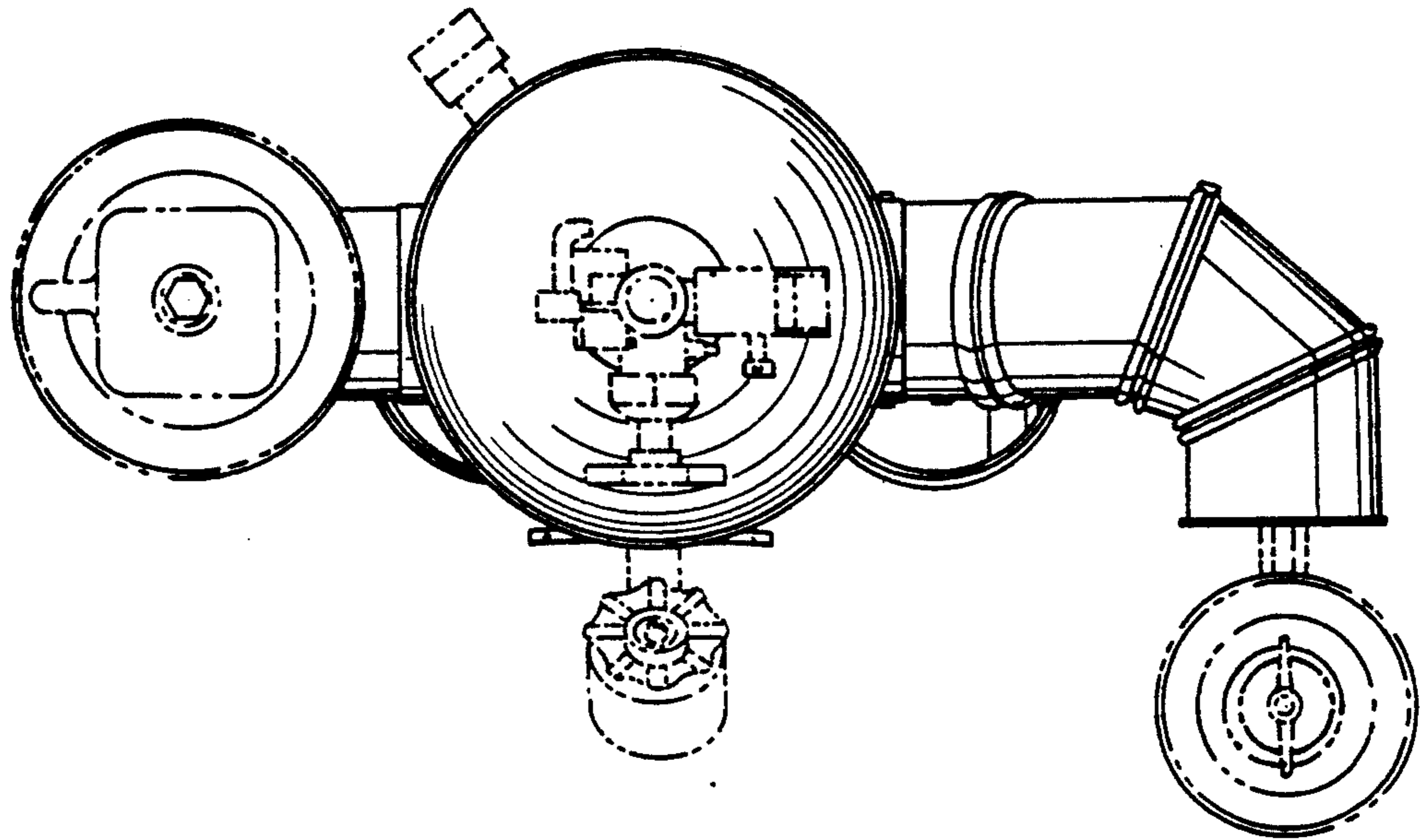


Fig. 5

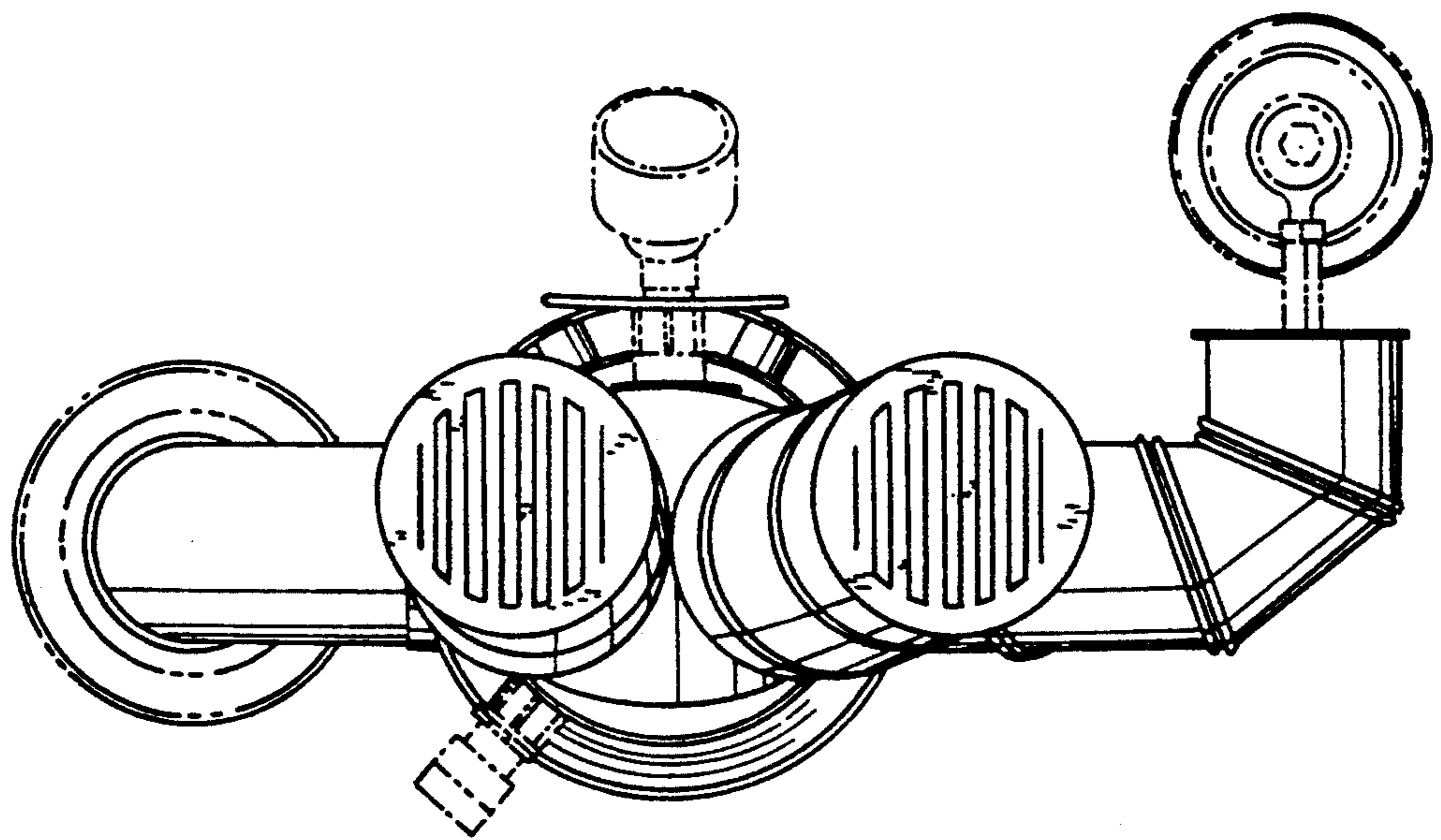


Fig. 6