



US00D337132S

United States Patent [19]

[11] Patent Number: **Des. 337,132**

Hinkeldey

[45] Date of Patent: **** Jul. 6, 1993**

[54] **CLEAR CARD FOR X-RAY FILM IDENTIFICATION**

2,128,793	8/1938	Bondy Bey	D19/1
3,339,728	9/1967	Werner	229/68 R
3,366,119	1/1968	O'Connor	40/380

[76] Inventor: **Gaylen E. Hinkeldey**, 69100 Garner, Cathedral City, Calif. 92234

Primary Examiner—Wallace R. Burke
Assistant Examiner—Marcus Jackson
Attorney, Agent, or Firm—Timmons & Kelly

[**] Term: **14 Years**

[21] Appl. No.: **831,334**

[57] **CLAIM**

[22] Filed: **Feb. 7, 1992**

The ornamental design for a clear card for X-ray film identification, as shown and described.

[52] U.S. Cl. **D20/27; D19/76**

[58] Field of Search D19/1, 2, 75, 76, 26; D20/10, 40, 43; 40/380, 384, 393, 361, 362, 366; 281/15.1, 17, 19.1, 41

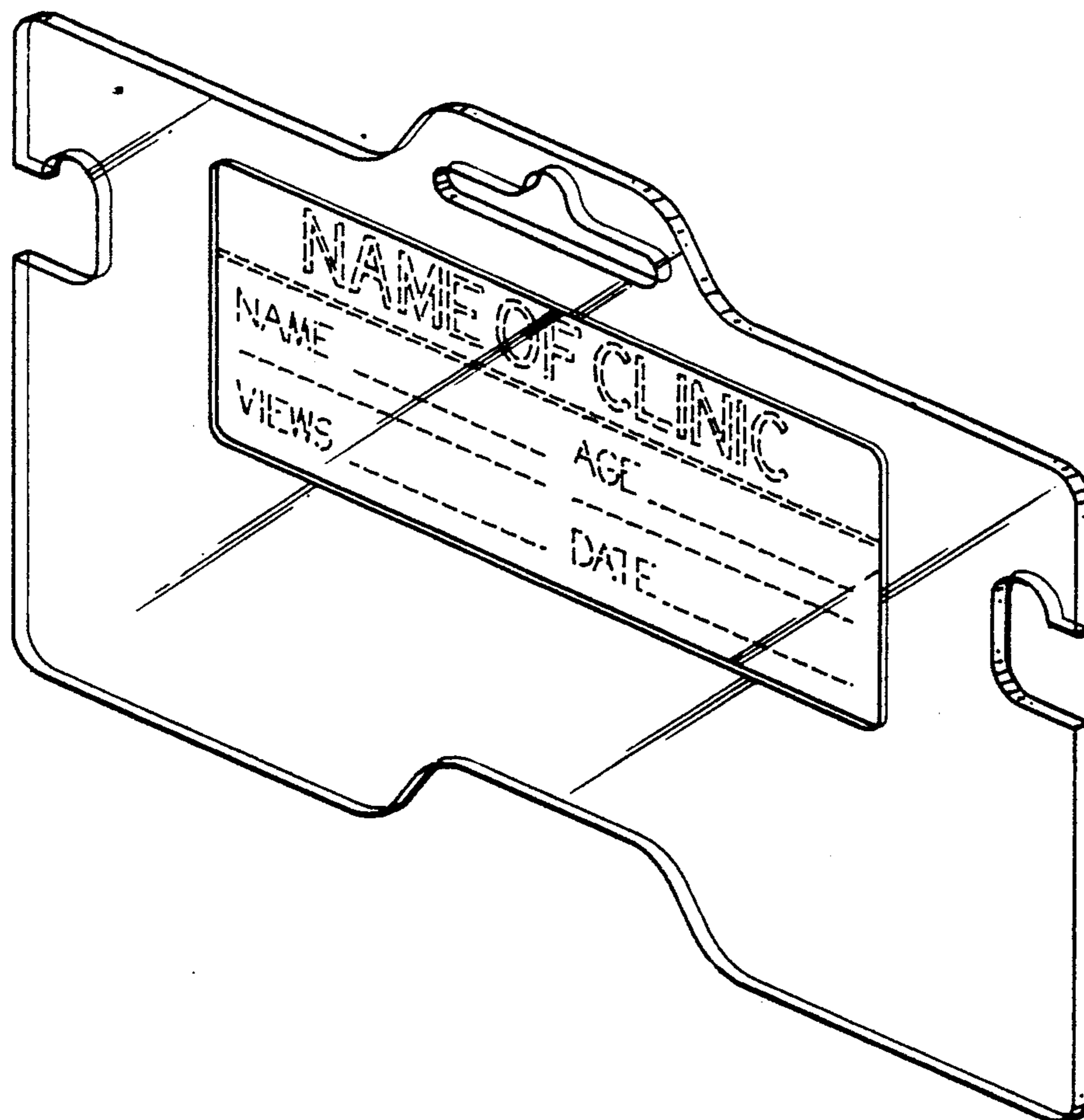
DESCRIPTION

[56] **References Cited**

U.S. PATENT DOCUMENTS

D. 10,879	10/1878	Holley	D19/1
D. 186,559	11/1959	Talley	D19/99
D. 202,408	9/1965	Feldmahr	D19/99
D. 250,200	11/1978	Glaubinger	D19/1
1,435,664	11/1922	Russell	40/380

FIG. 1 is a perspective view of a clear card for X-ray film identification showing my new design with the broken lines shown for illustrative purposes only and forming no part of the claimed design; FIG. 2 is a front elevation thereof; FIG. 3 is a rear elevation thereof; FIG. 4 is a right side elevation thereof, the opposite side being identical to the view shown; FIG. 5 is a top plan view thereof; and, FIG. 6 is a bottom plan view thereof.



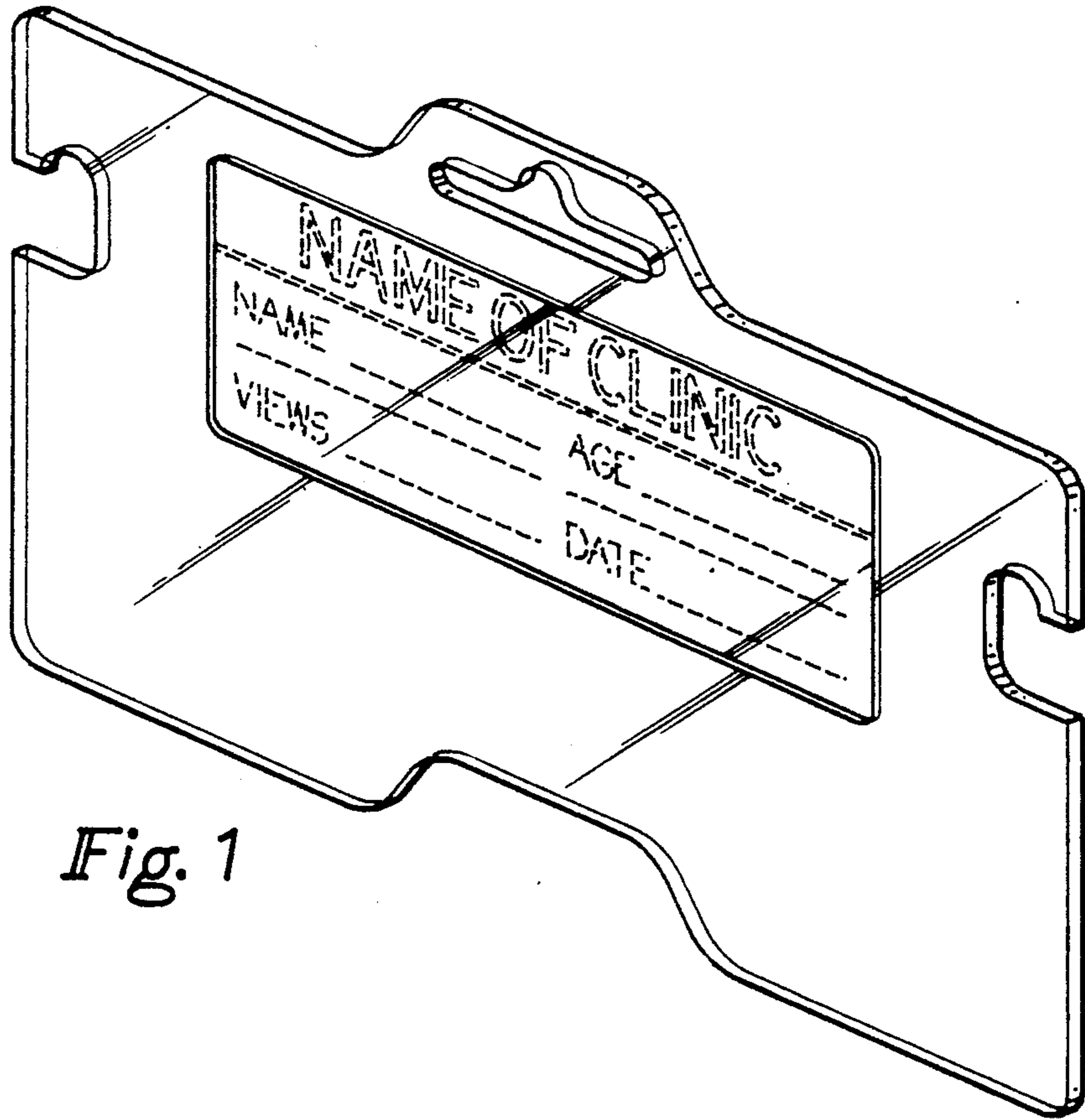


Fig. 1

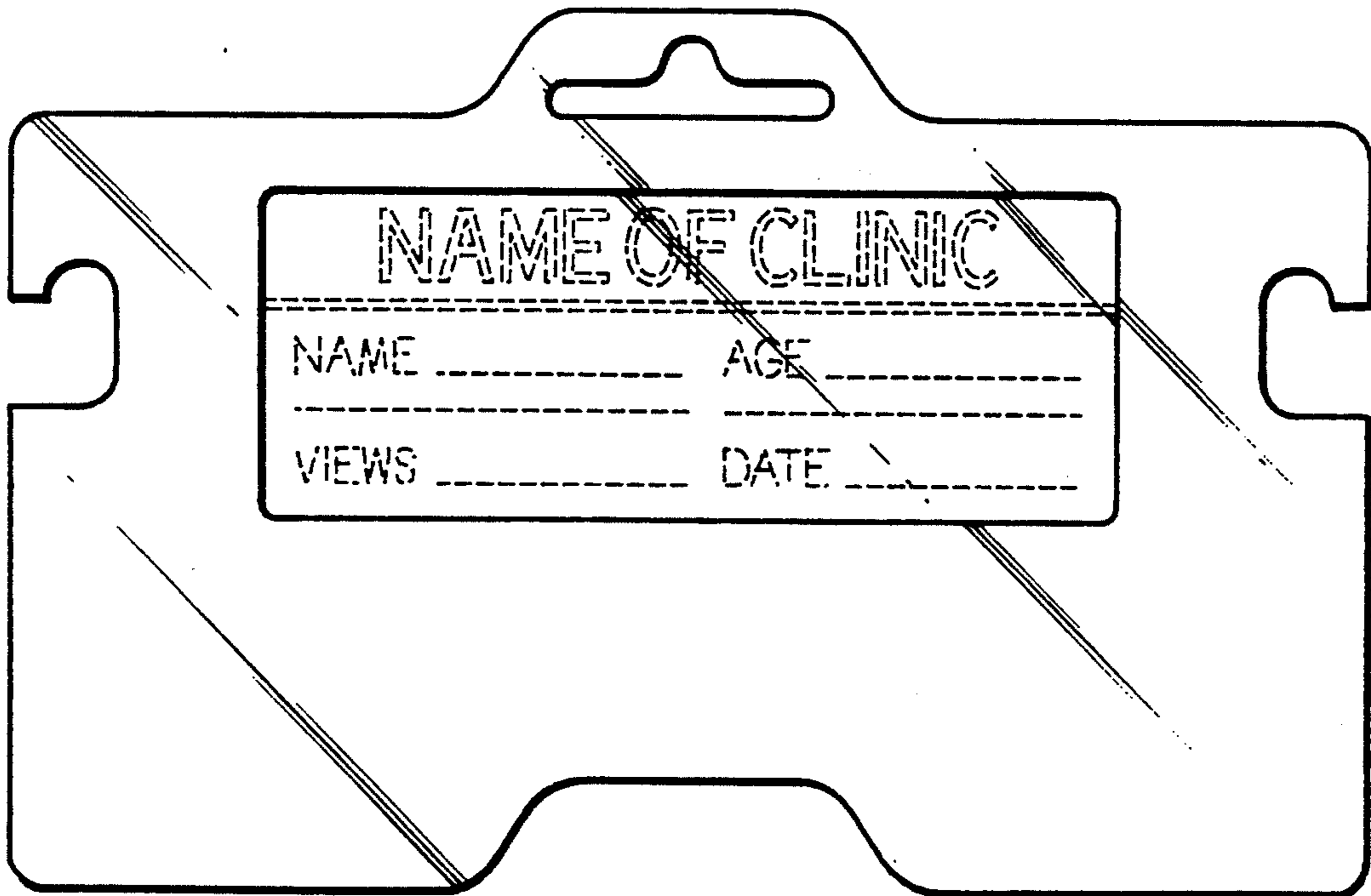


Fig. 2

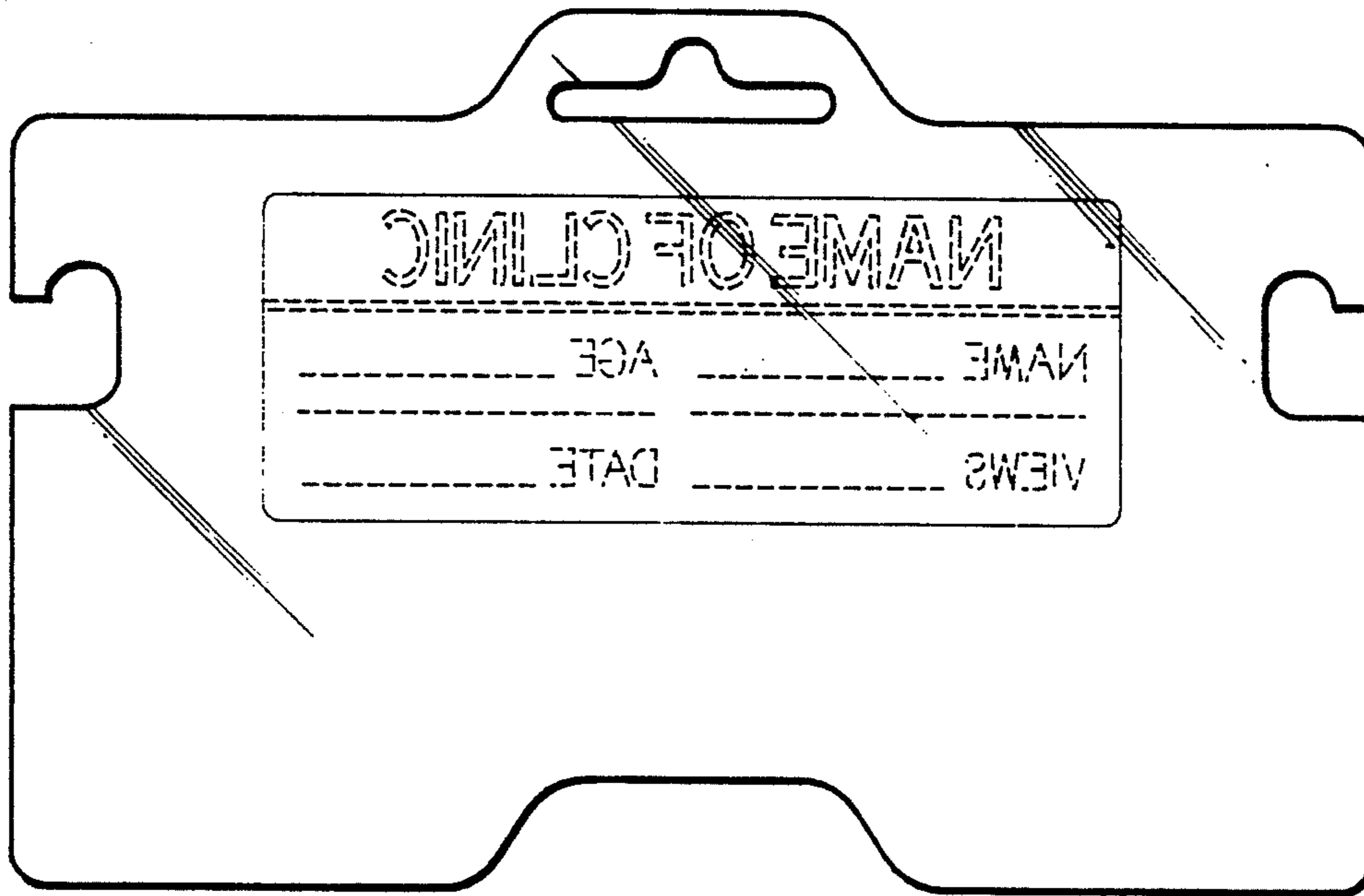


Fig. 3



Fig. 4

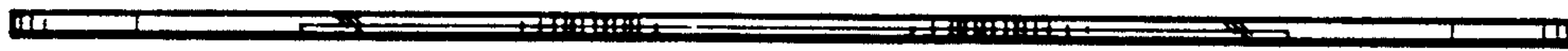


Fig. 5

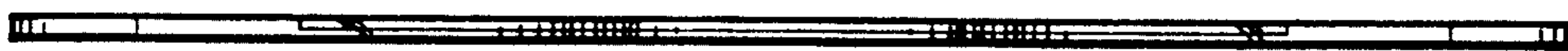


Fig. 6