



US00D337127S

United States Patent [19] Aaldenberg

[11] Patent Number: **Des. 337,127**

[45] Date of Patent: **** Jul. 6, 1993**

[54] **LETTER TRAY**

[75] Inventor: **Eric R. Aaldenberg, Bayside, N.Y.**

[73] Assignee: **Esselte Pendaflex Corporation,
Garden City, N.Y.**

[*] Notice: The portion of the term of this patent subsequent to Feb. 5, 2005 has been disclaimed.

[**] Term: **14 Years**

[21] Appl. No.: **737,519**

[22] Filed: **Jul. 30, 1991**

[52] U.S. Cl. **D19/92; D19/86;
D19/95**

[58] Field of Search **D6/510; D19/65, 75,
D19/78, 86, 92, 95, 99, 100; 211/10, 11, 126;
206/215, 555**

[56] **References Cited**

U.S. PATENT DOCUMENTS

D. 220,014 2/1971 Rome et al. D19/92

D. 289,181 4/1987 Solomon D19/90
D. 296,706 7/1988 Evans D19/92
D. 314,398 2/1991 Aaldenberg et al. D19/92
D. 319,473 8/1991 Aaldenberg et al. D19/92
3,675,815 7/1972 Rehrig 211/126 X

Primary Examiner—Nelson C. Holtje
Assistant Examiner—Martha Thompson
Attorney, Agent, or Firm—Pennie & Edmonds

[57] **CLAIM**

The ornamental design for a letter tray, as shown and described.

DESCRIPTION

FIG. 1 is a top, left front perspective view of a letter tray showing my new design;
FIG. 2 is a top plan view;
FIG. 3 is a front elevational view;
FIG. 4 is a right side elevational view, the left side being a mirror image thereof;
FIG. 5 is a rear elevational view; and,
FIG. 6 is a bottom plan view thereof.
FIGS. 2 through 6 have been drawn to an enlarged scale with respect to FIG. 1.

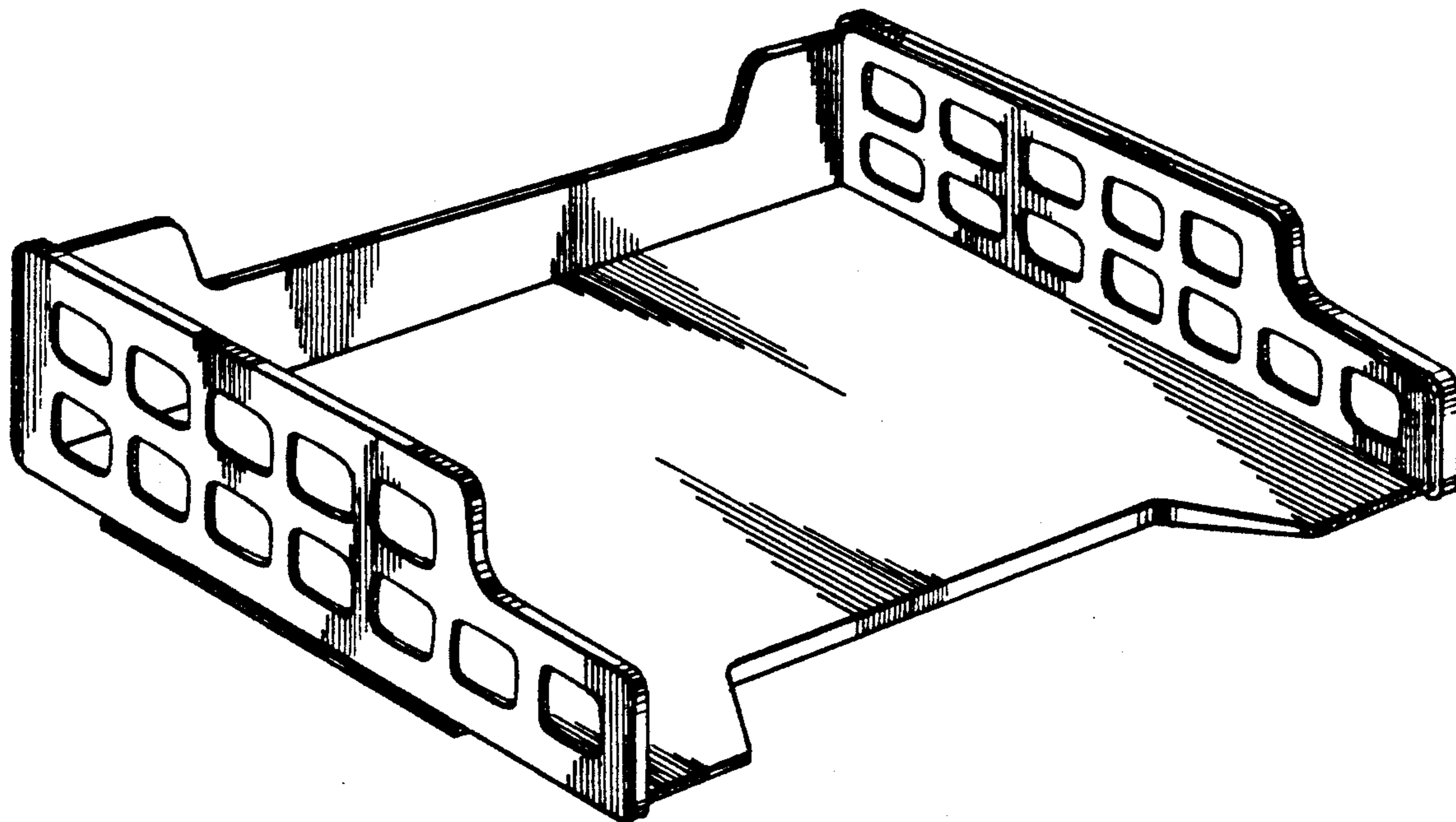


FIG. 1

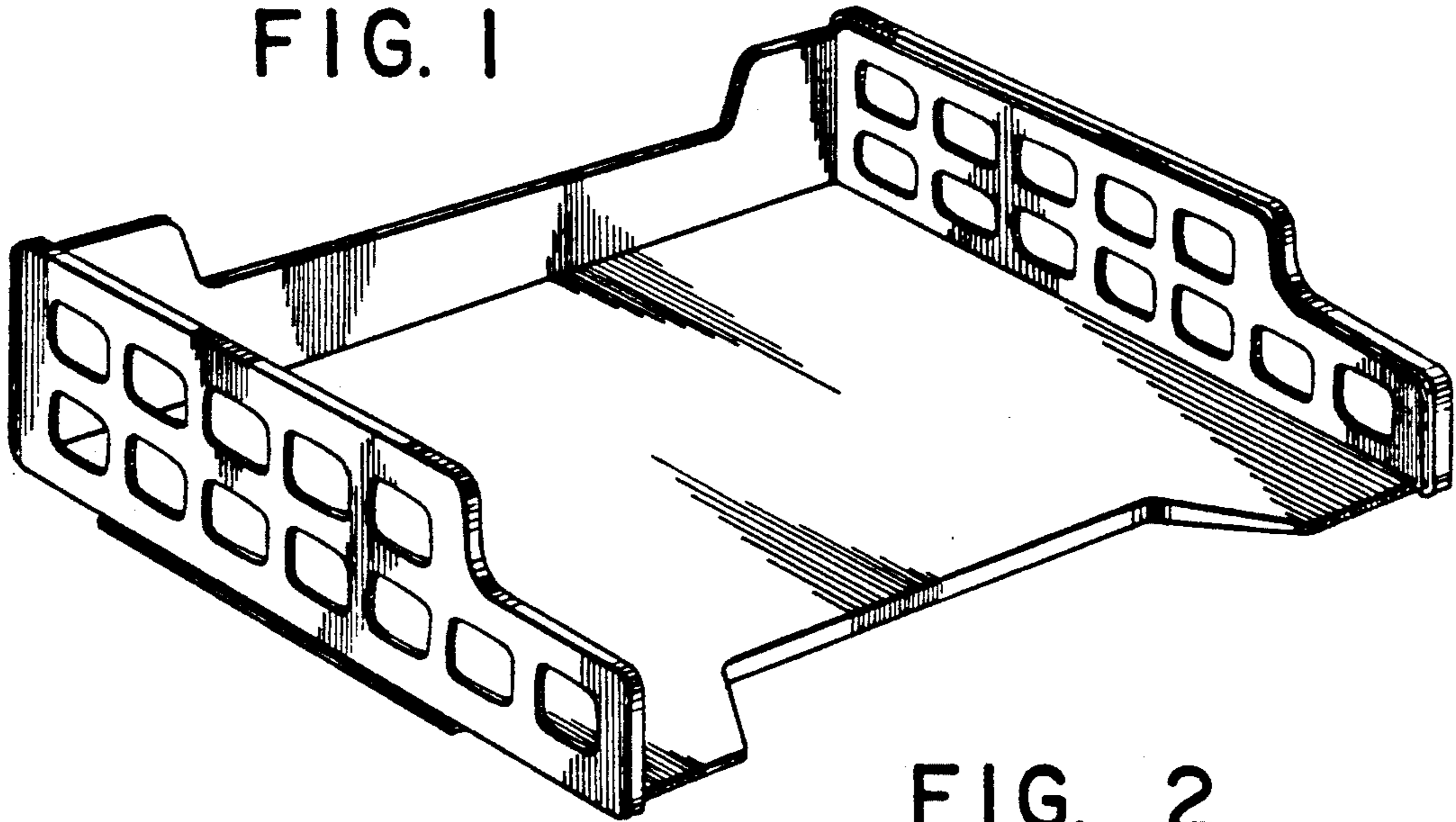


FIG. 2

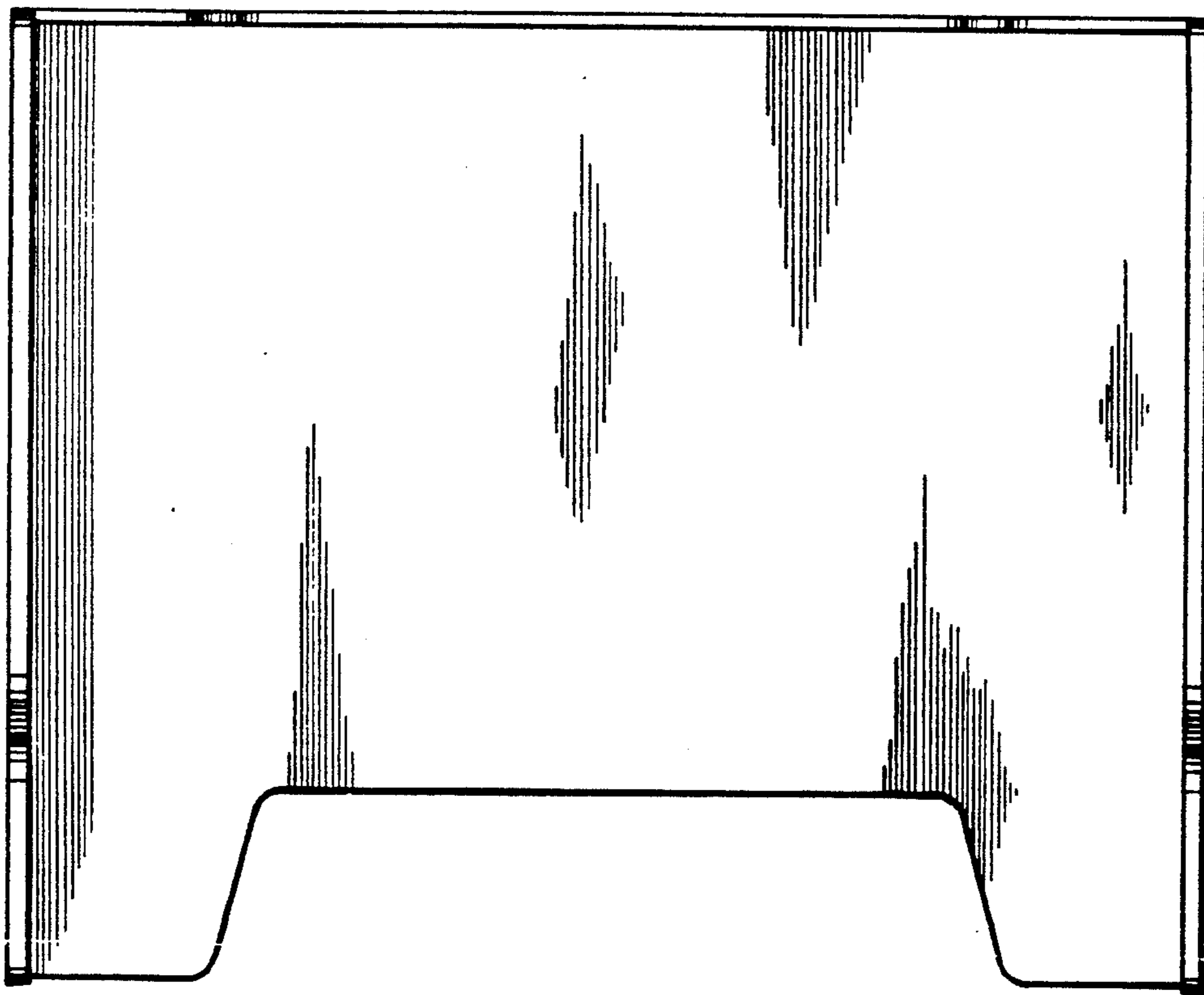


FIG. 3

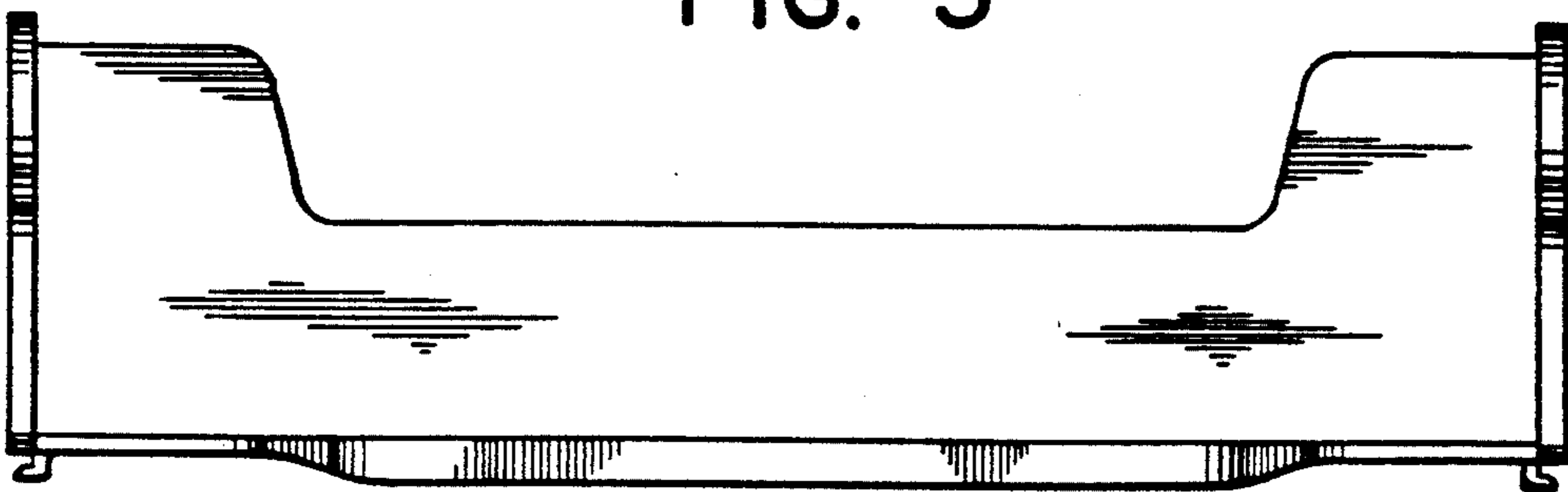


FIG. 4

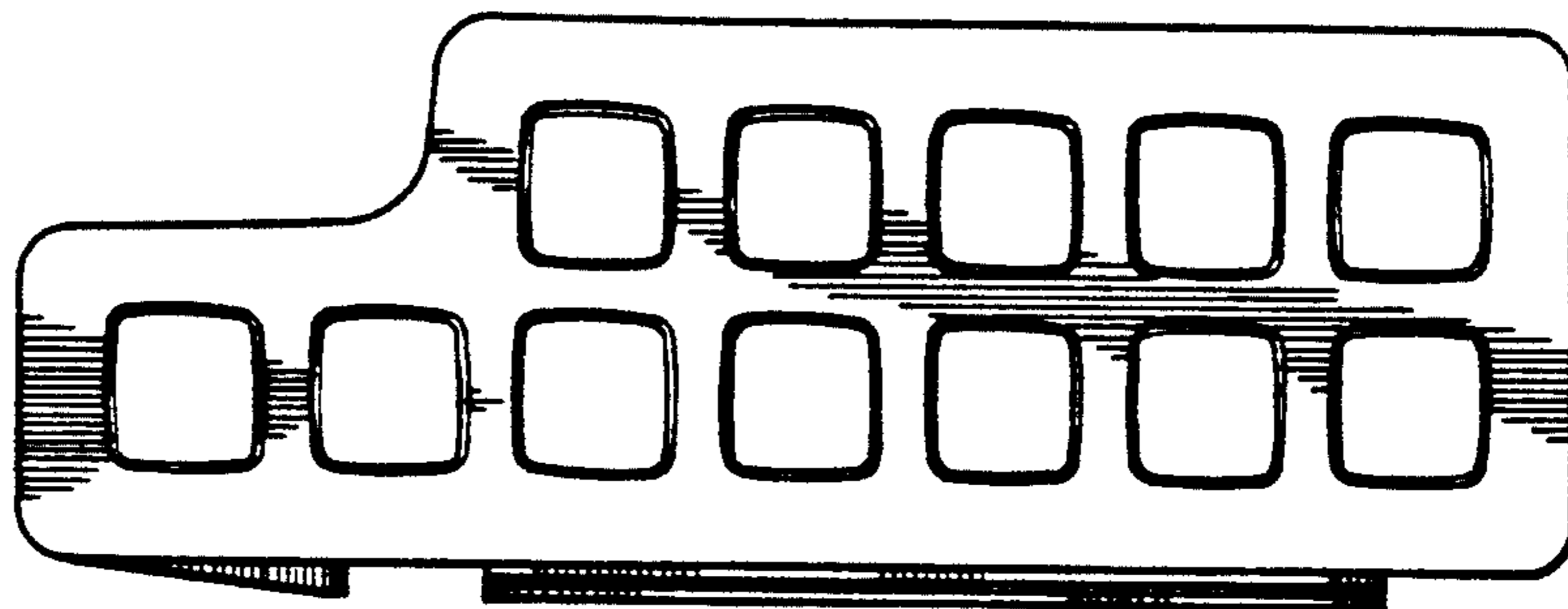


FIG. 5

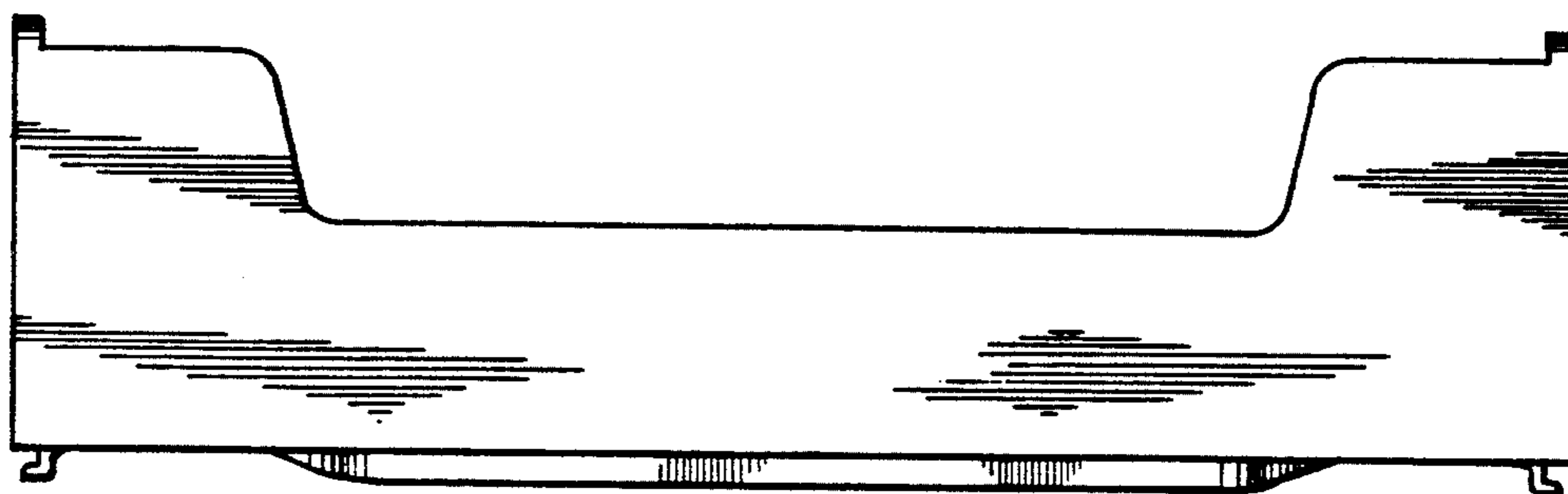


FIG. 6

