



US00D337125S

United States Patent [19]
Rundell

[11] **Patent Number: Des. 337,125**

[45] **Date of Patent: ** Jul. 6, 1993**

[54] **ELECTRIC GUITAR BODY**

[76] **Inventor: Joseph S. Rundell, G-4155 Fenton Rd., Lot 21, Burton, Mich. 48529**

[**] **Term: 14 Years**

[21] **Appl. No.: 565,734**

[22] **Filed: Aug. 10, 1990**

[52] **U.S. Cl. D17/20**

[58] **Field of Search D17/14, 15, 18-20; 84/267, 291-293**

OTHER PUBLICATIONS

Guitar Player, Oct. 1990 p. 53 (Hamburguitar, 9-string).

Primary Examiner—Bernard Ansher

Assistant Examiner—Adir Aronovich

Attorney, Agent, or Firm—Gifford, Groh, Sprinkle, Patmore and Anderson

[57] **CLAIM**

The ornamental design for an electric guitar body, as shown.

DESCRIPTION

FIG. 1 is a right side elevational view of an electric guitar body showing my new design;

FIG. 2 is a top plan view thereof;

FIG. 3 is a left side elevational view thereof;

FIG. 4 is a front elevational view thereof;

FIG. 5 is a rear elevational view thereof;

FIG. 6 is a top front perspective view thereof; and,

FIG. 7 is a bottom plan view thereof.

[56] **References Cited**

U.S. PATENT DOCUMENTS

D. 276,918	12/1984	Peavey	D17/20
D. 286,299	10/1986	Peavey	D17/20
3,771,408	11/1973	Wright	84/291
4,290,336	9/1981	Peavey	84/293
4,815,355	3/1989	Cavaness	84/291

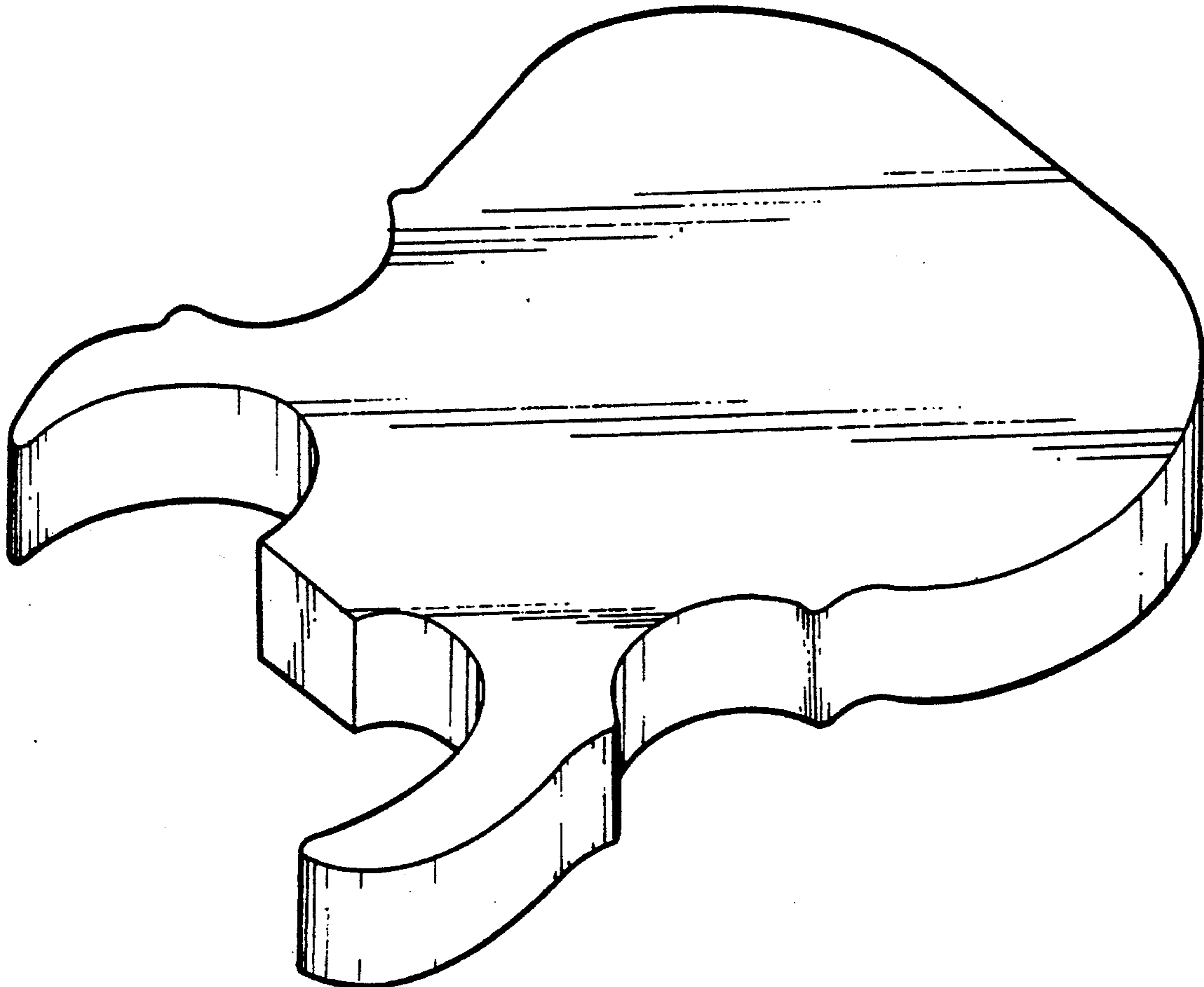


Fig-1

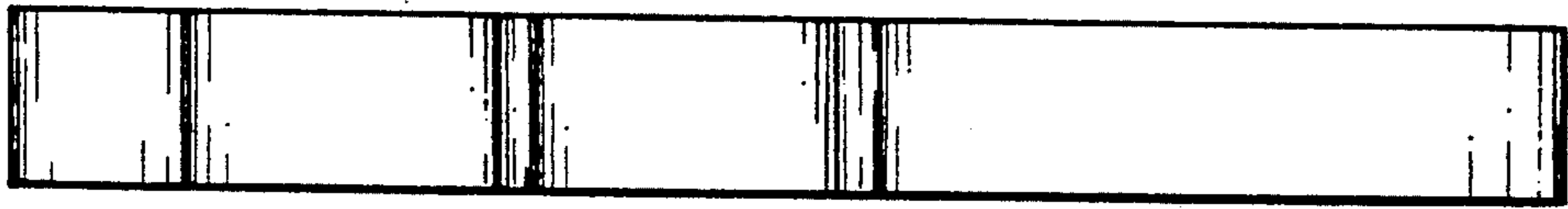


Fig-2

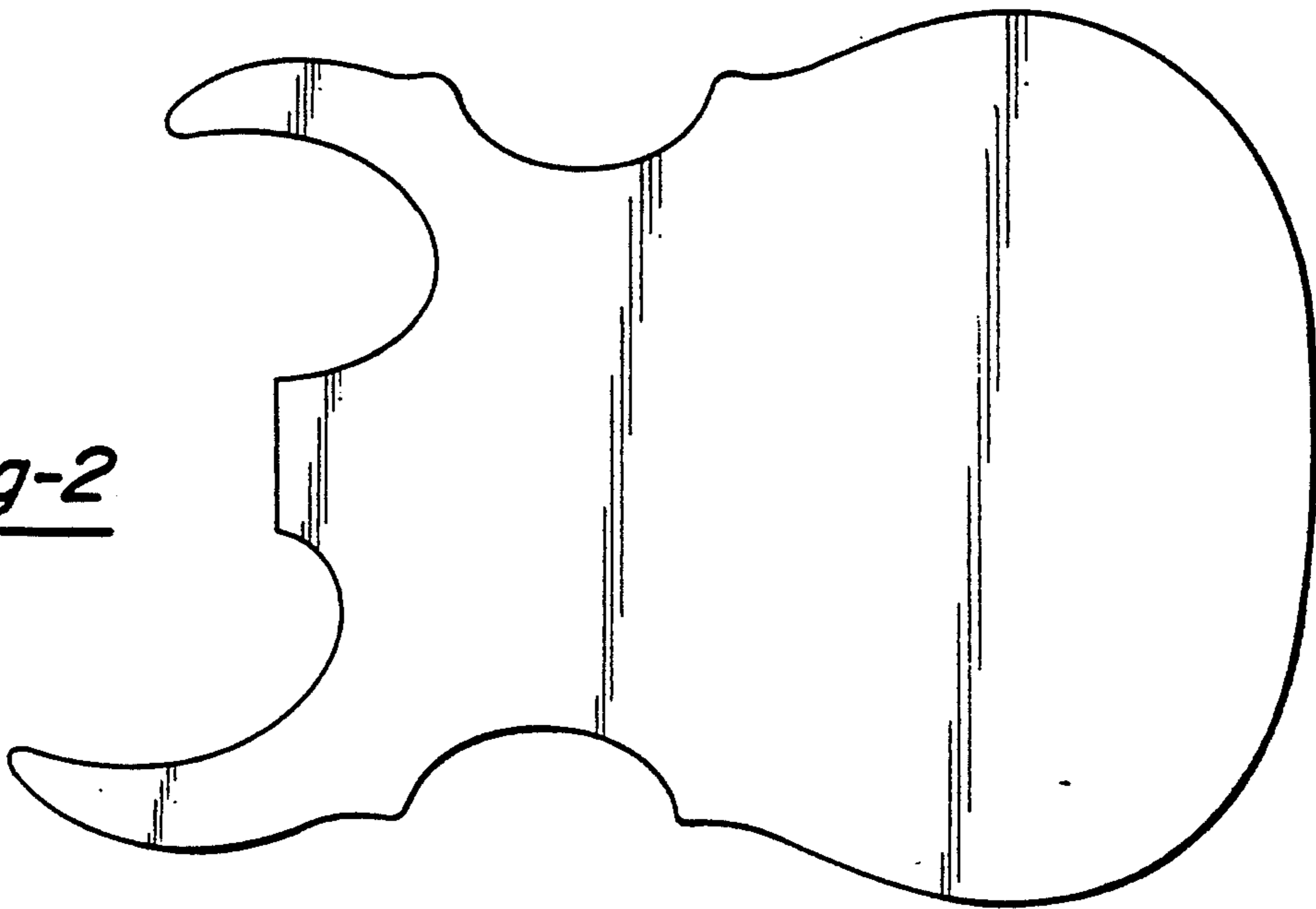


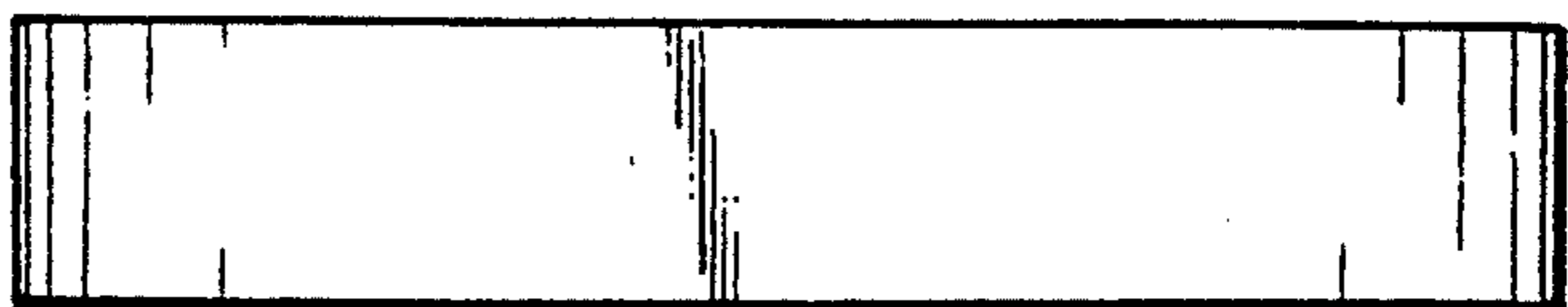
Fig-3



Fig-4



Fig-5



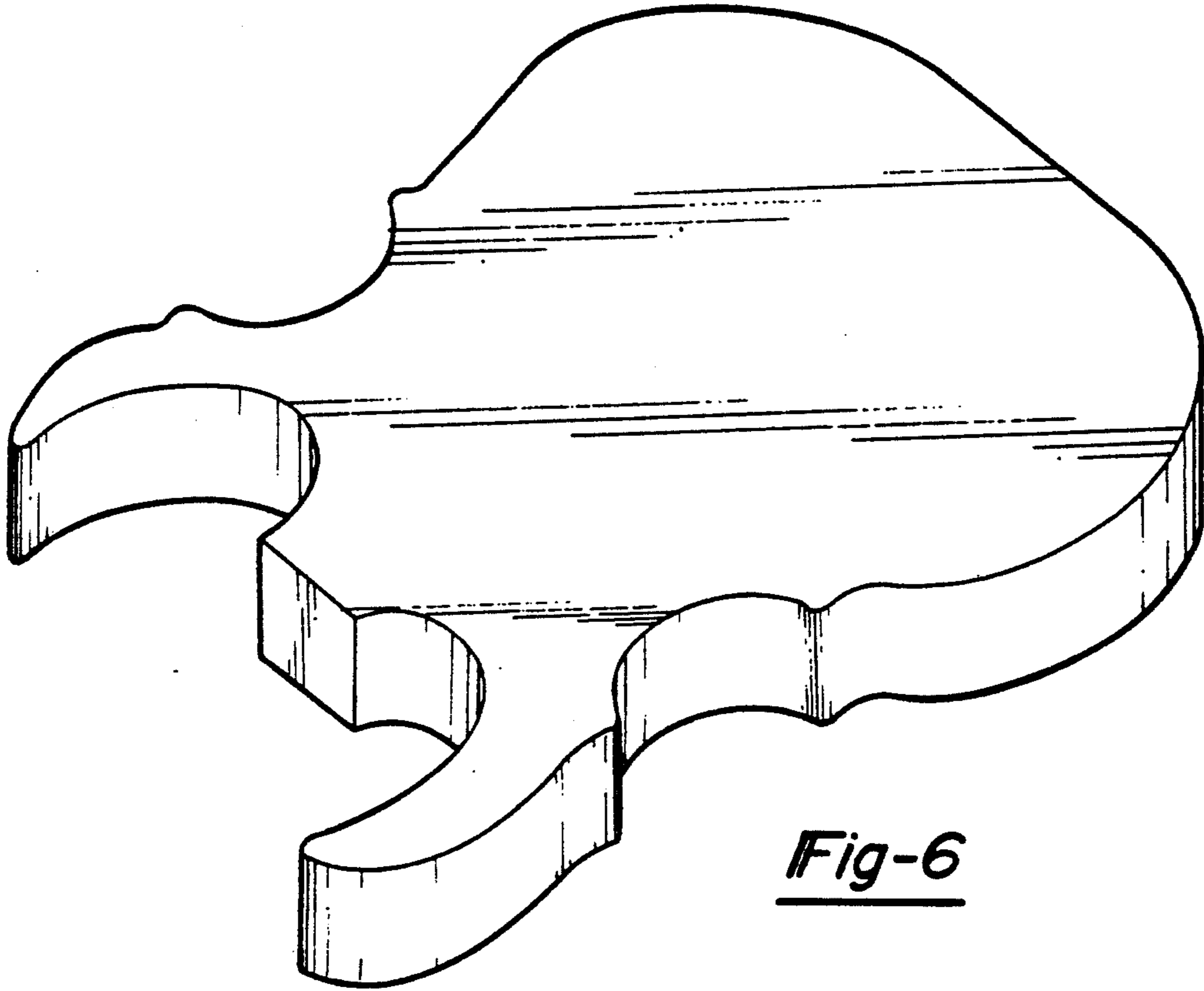


Fig-6

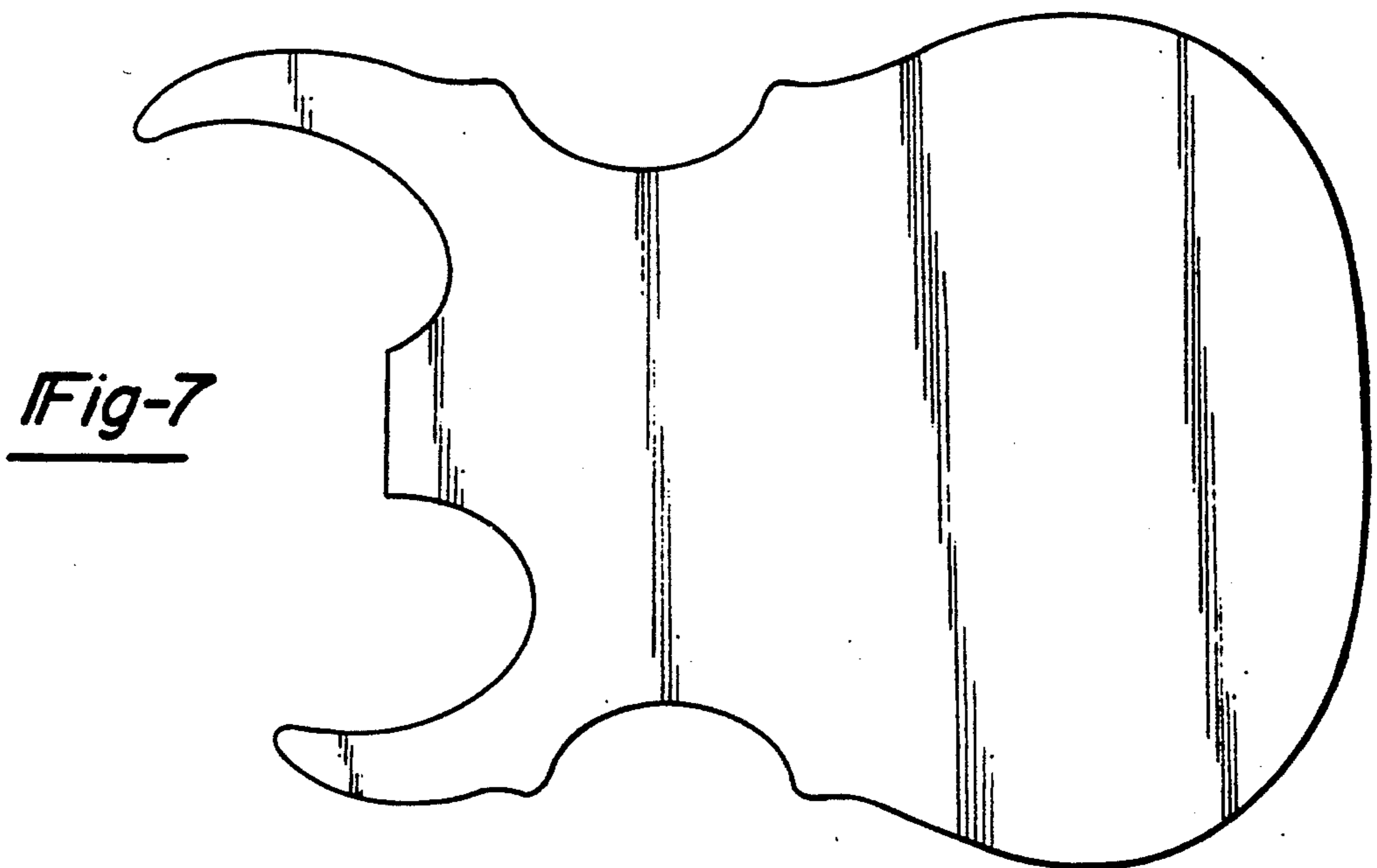


Fig-7