



US00D337123S

# United States Patent [19]

[11] Patent Number: **Des. 337,123**

Svetlik et al.

[45] Date of Patent: **\*\* Jul. 6, 1993**

[54] **SCROLL SAW CANTILEVER SUPPORT ARM**

[75] Inventors: **Kenneth N. Svetlik, Schaumburg; Michael D. Murphy, Chicago, both of Ill.**

[73] Assignee: **Skil Corporation, Chicago, Ill.**

[\*\*] Term: **14 Years**

[21] Appl. No.: **742,937**

[22] Filed: **Aug. 9, 1991**

[52] U.S. Cl. .... **D15/133**

[58] Field of Search ..... **D15/133, 134, 141; 83/769-800**

[56] **References Cited**

**U.S. PATENT DOCUMENTS**

D. 94,788	3/1935	Tautz .....	D15/133
D. 152,226	12/1948	Stevens .....	D15/133
2,721,587	10/1955	Dremel .....	83/782 X
4,455,909	6/1984	Wilbs .....	83/783 X
4,949,616	8/1990	Chang .....	83/782 X
5,058,476	10/1991	Legler et al. ....	83/782

*Primary Examiner*—Alan P. Douglas

*Assistant Examiner*—Antoine D. Davis  
*Attorney, Agent, or Firm*—Jones, Day, Reavis and Pogue

[57] **CLAIM**

The ornamental design for a scroll saw cantilever support arm, as shown and described.

**DESCRIPTION**

FIG. 1 is a perspective view of the scroll saw cantilever support arm; the broken line showing of a partial scroll saw is for illustrative purposes only and forms no part of the claimed design;

FIG. 2 is a top view of the scroll saw cantilever support arm;

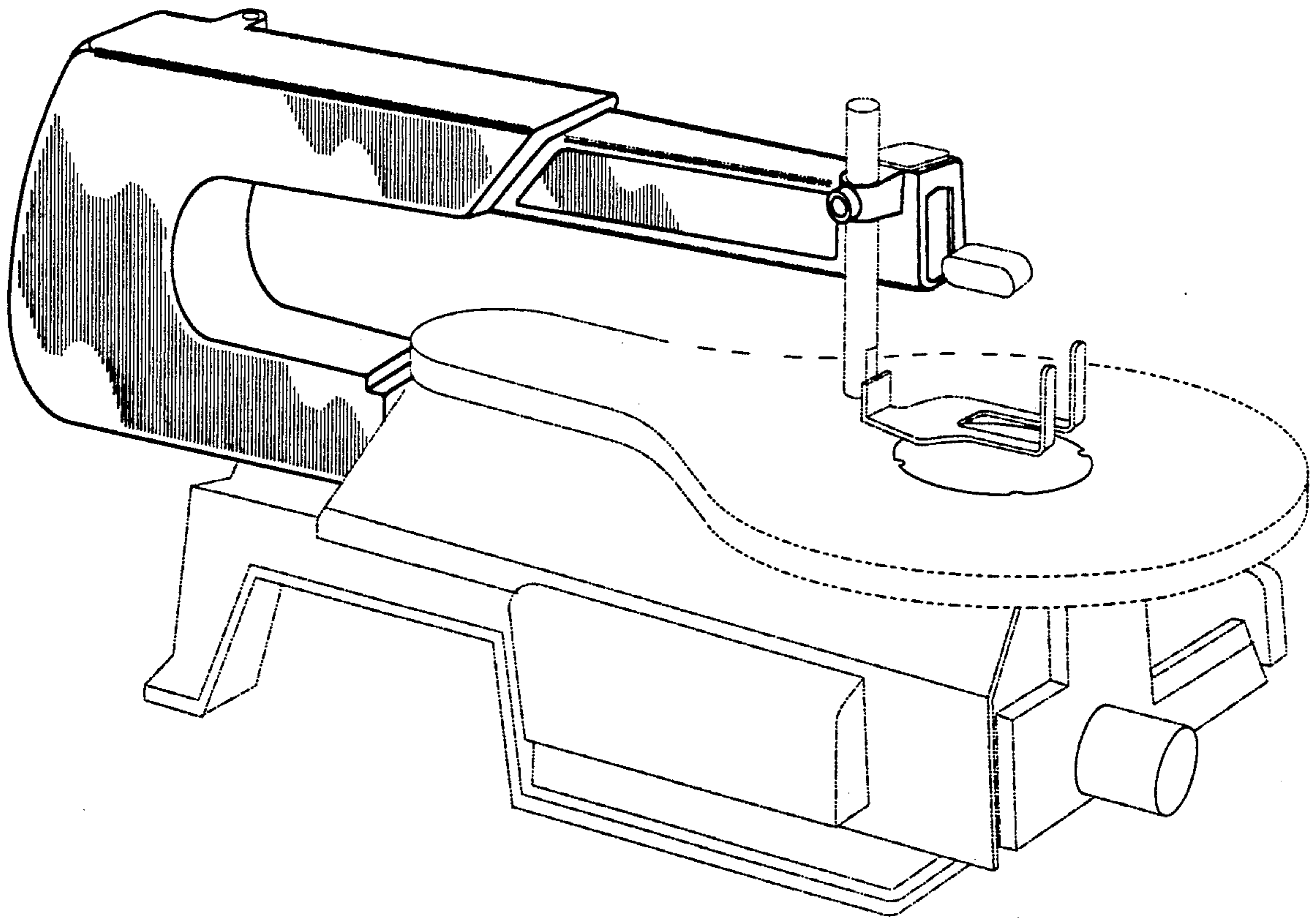
FIG. 3 is a right side view of the scroll saw cantilever support arm;

FIG. 4 is a left side view of the scroll saw cantilever support arm;

FIG. 5 is a bottom view of the scroll saw cantilever support arm;

FIG. 6 is a front view of the scroll saw cantilever support arm; and,

FIG. 7 is a back view of the scroll saw cantilever support arm.



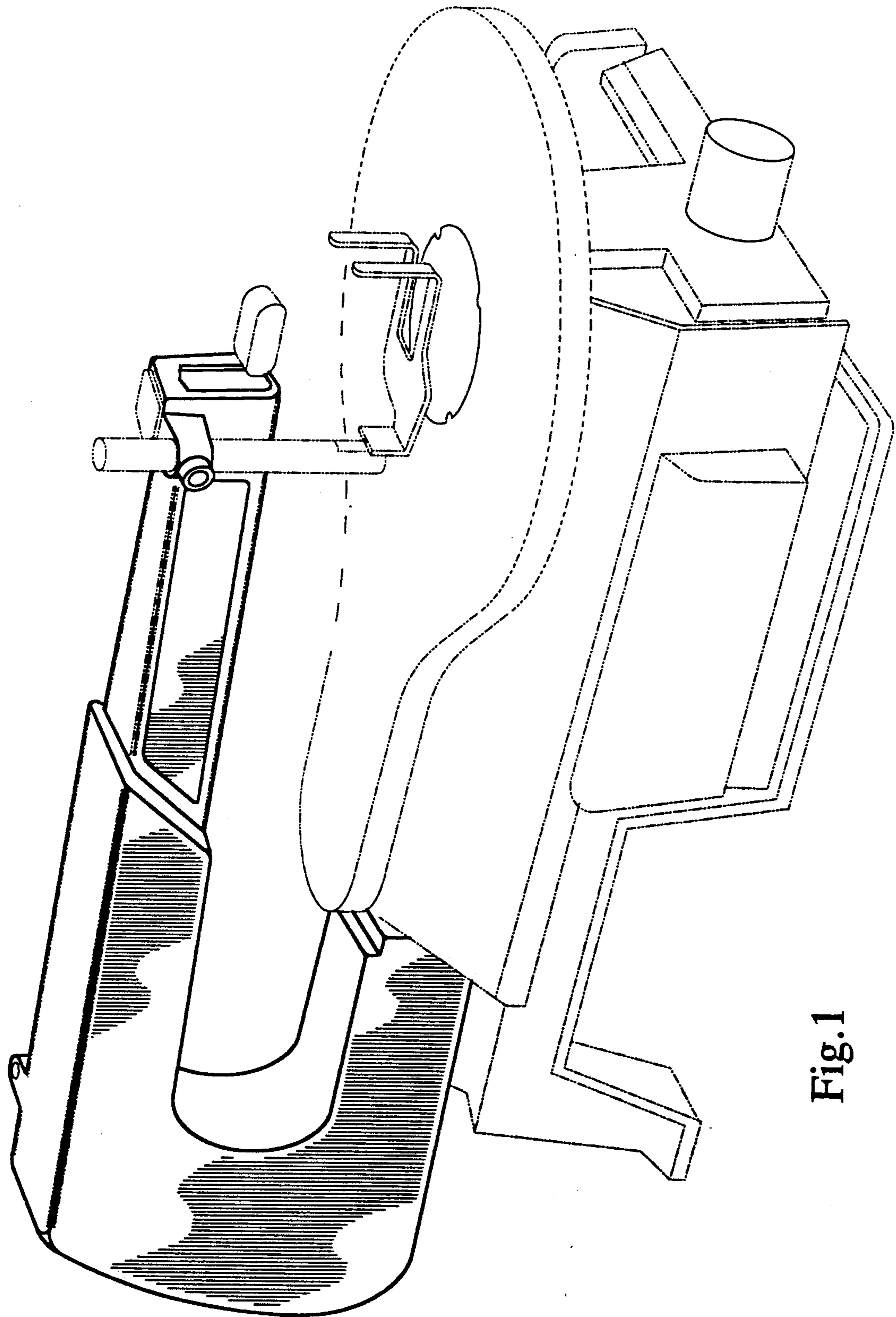


Fig. 1

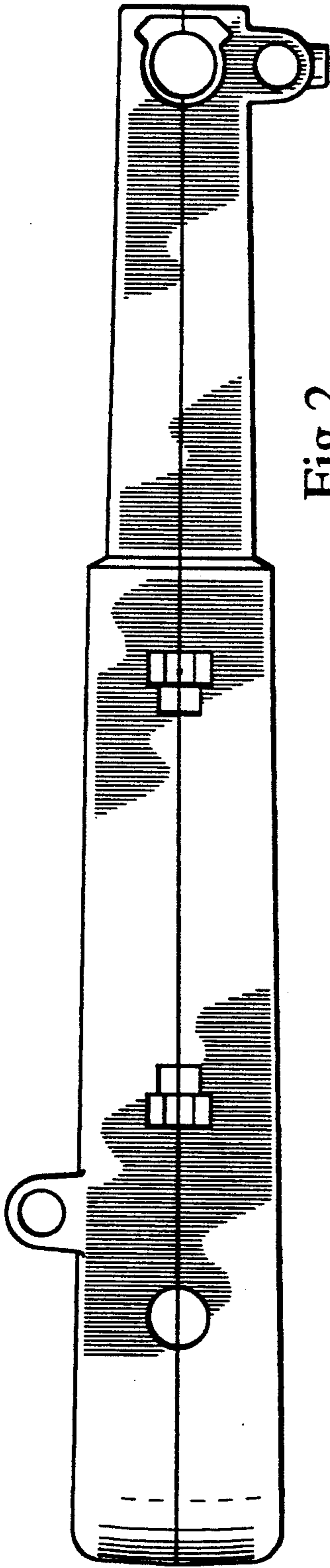


Fig. 2

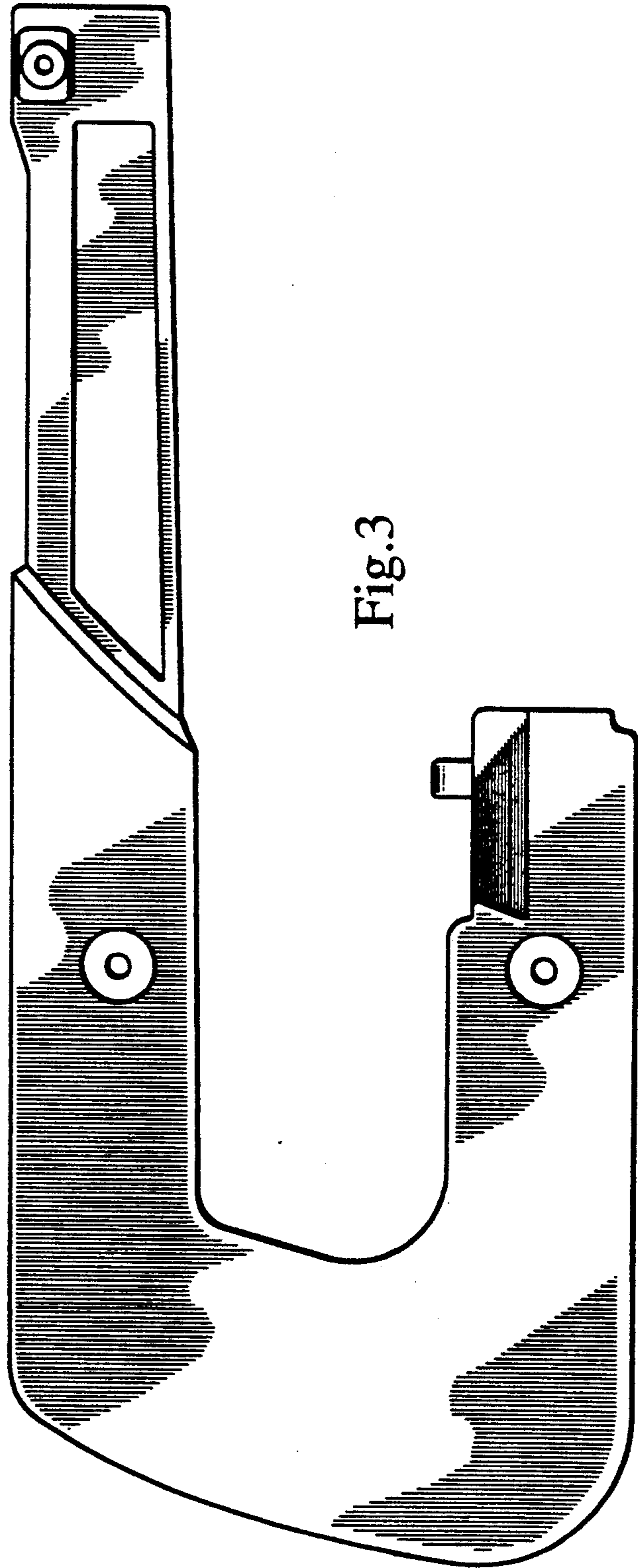


Fig. 3



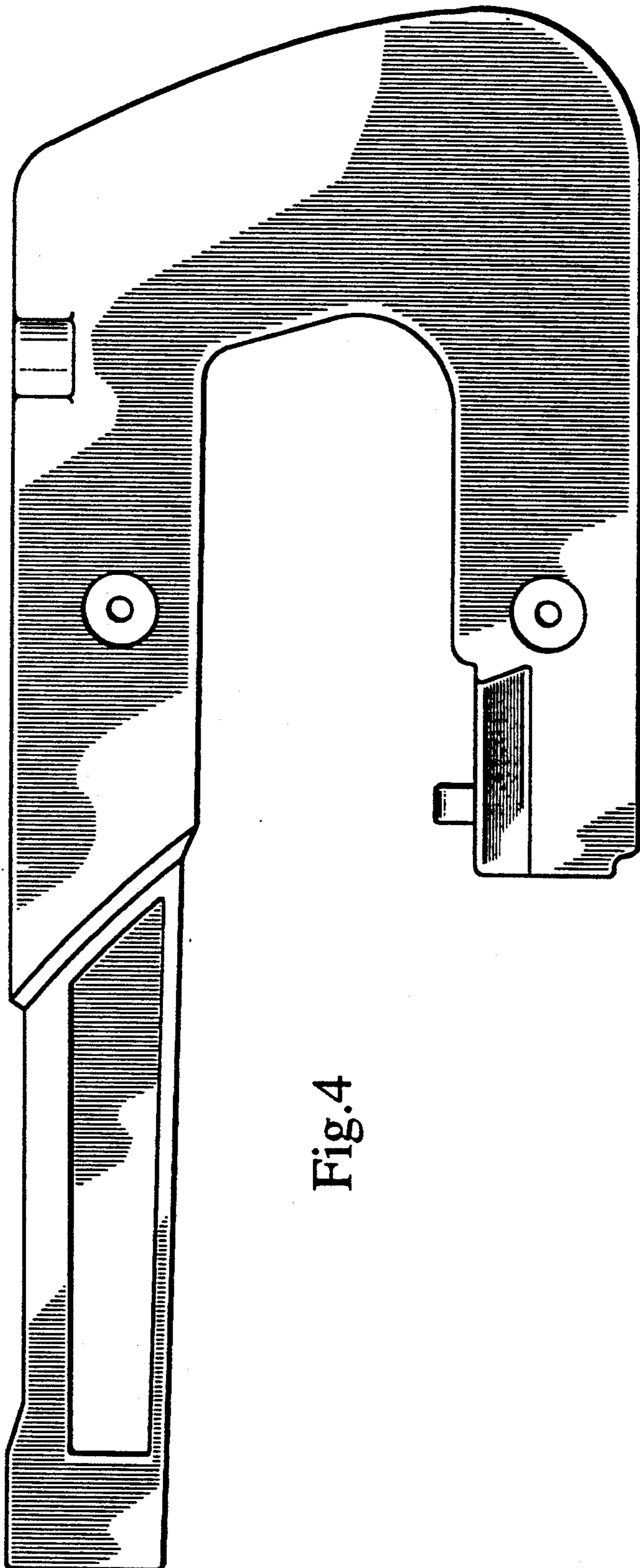


Fig.4

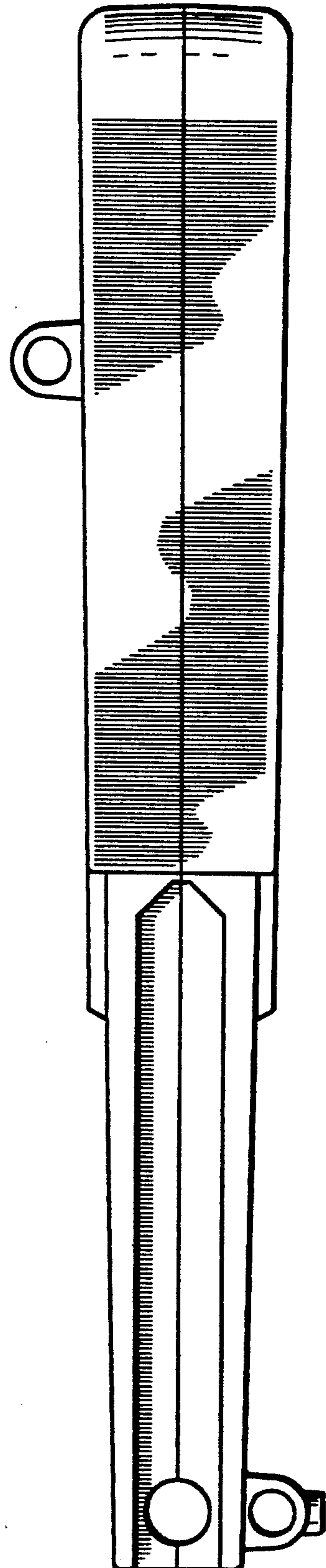


Fig.5

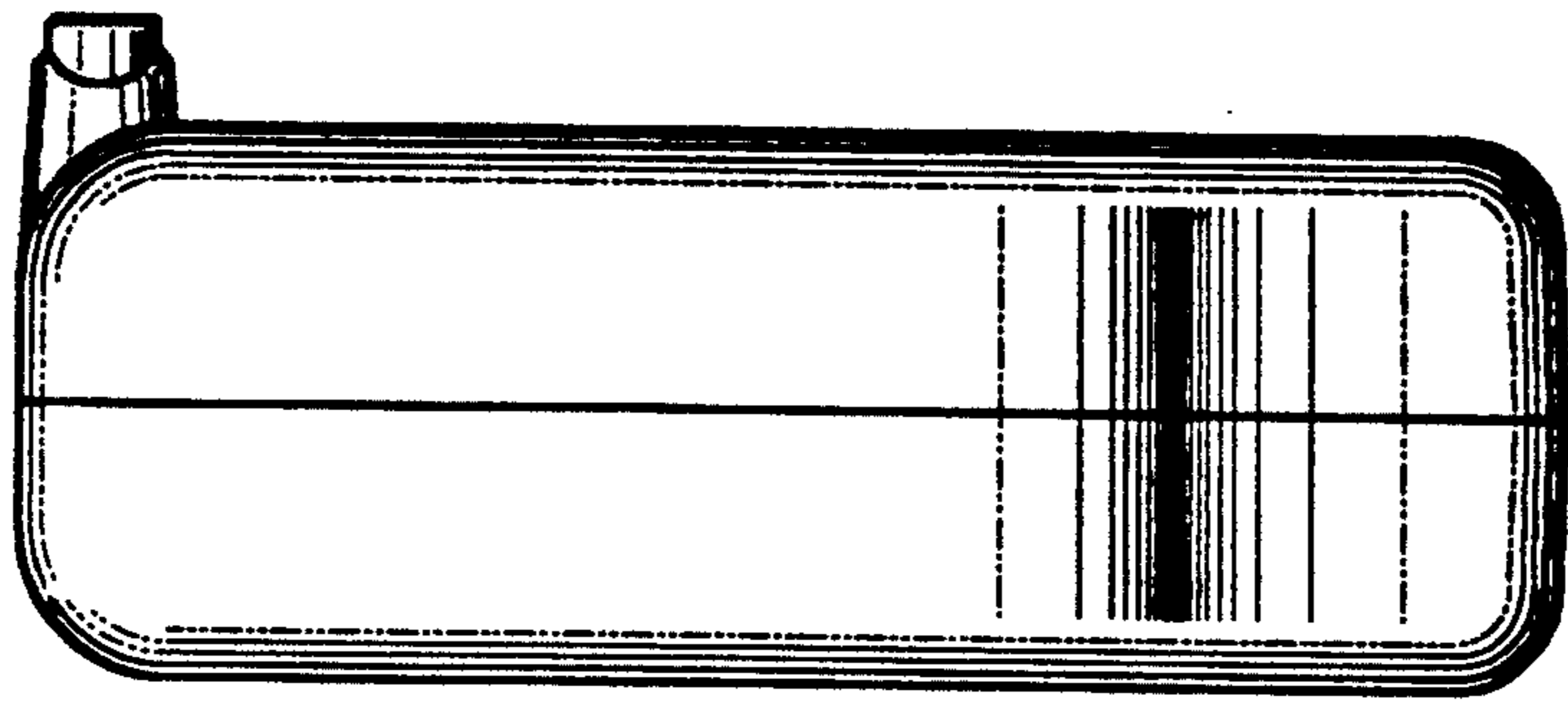


Fig. 7

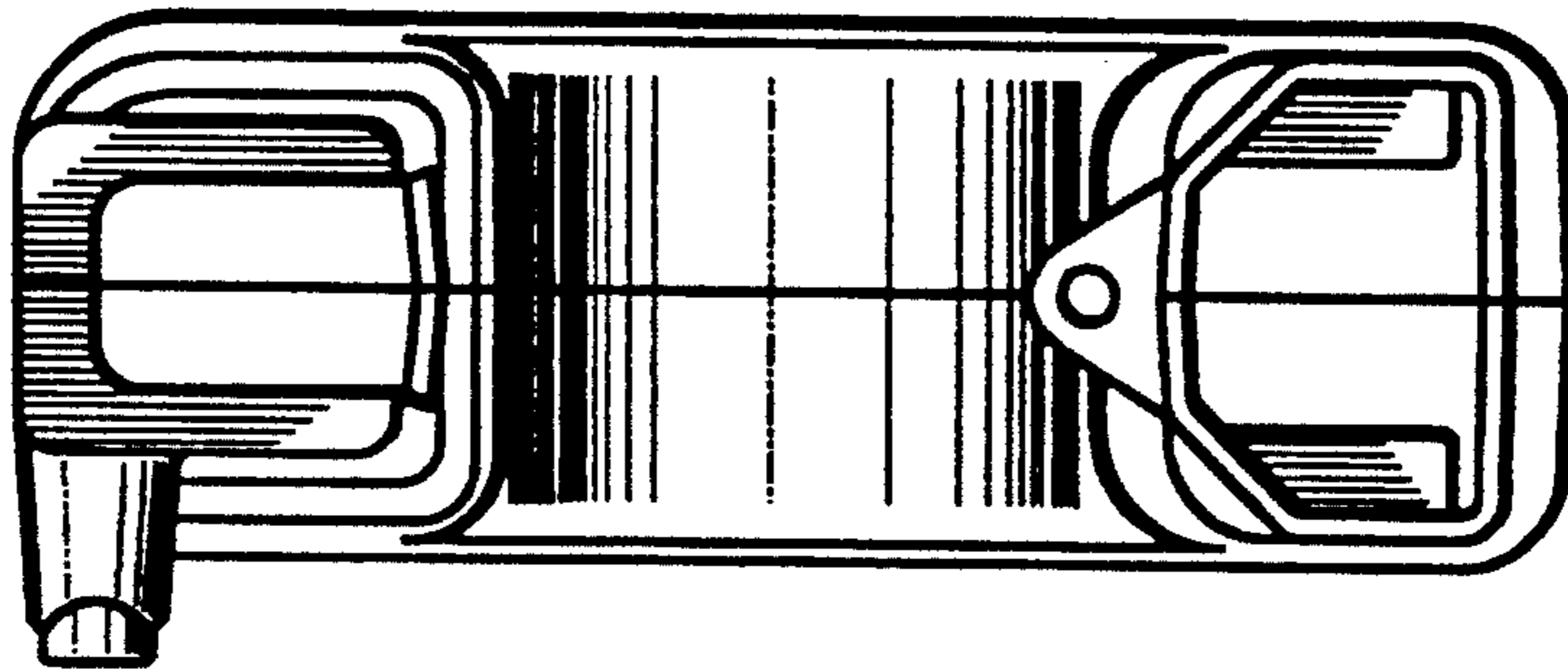


Fig. 6