



US00D337122S

# United States Patent [19]

[11] Patent Number: Des. 337,122

Gullickson

[45] Date of Patent: \*\* Jul. 6, 1993

[54] CROP BLOWER FOR A COMBINE HARVESTER

D. 273,792	5/1984	Ender, Sr.	.....	D15/27
4,730,444	3/1988	Leffel et al.	.....	56/12.9
4,866,919	9/1989	Brooks	.....	56/12.9
4,914,896	4/1990	Gullickson	.....	56/12.9

[75] Inventor: Zan Gullickson, Barons, Canada

[73] Assignee: Keho Alta Industries Ltd., Barons, Canada

*Primary Examiner*—Bernard Ansher  
*Assistant Examiner*—Sandra Morris  
*Attorney, Agent, or Firm*—Norman M. Cameron

[\*\*] Term: 14 Years

[57] CLAIM

[21] Appl. No.: 712,612

The ornamental design for the crop blower for a combine harvester, as shown.

[22] Filed: Jun. 10, 1991

[52] U.S. Cl. .... D15/28

DESCRIPTION

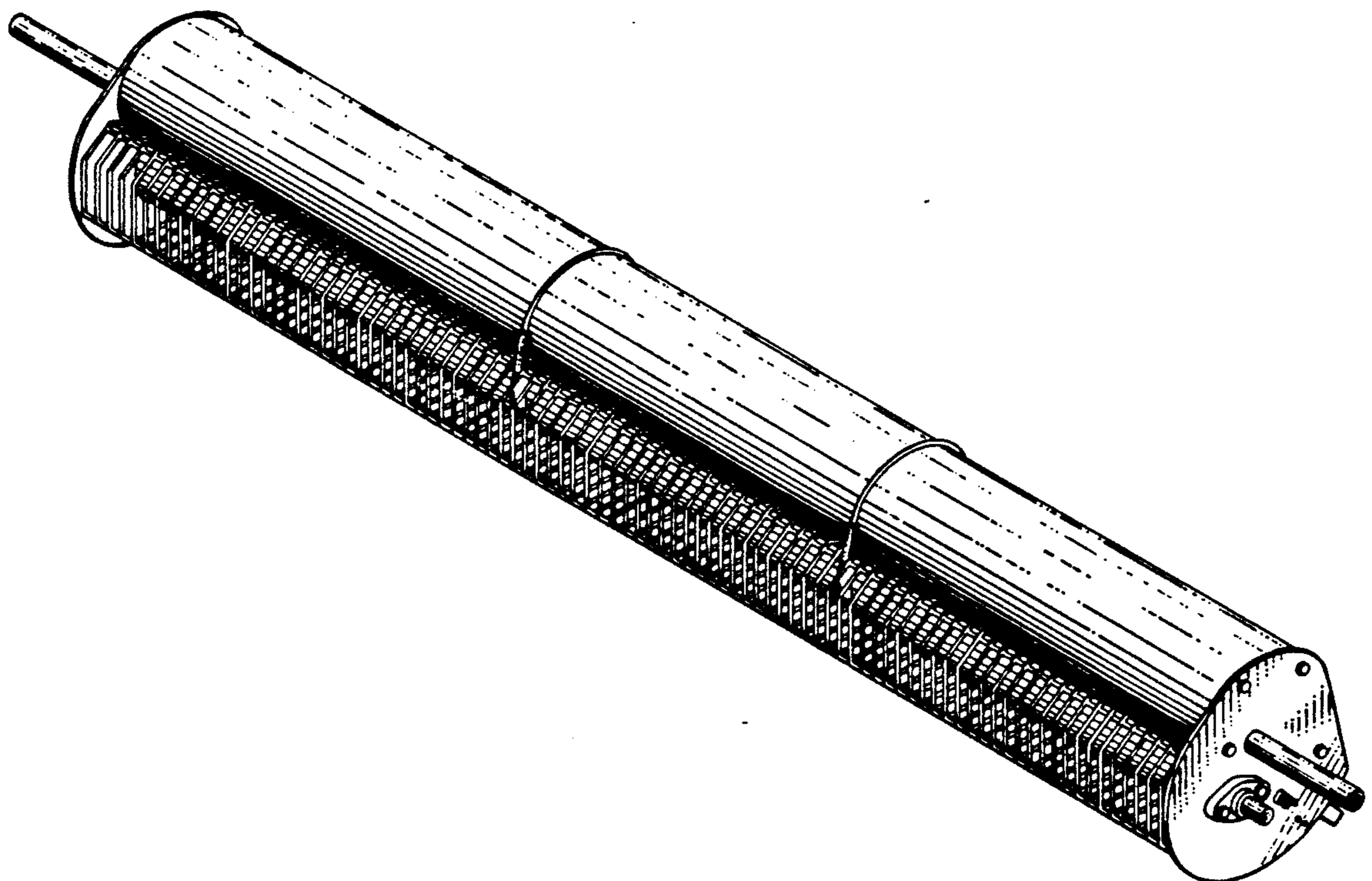
[58] Field of Search ..... D15/10, 11, 22-28;  
56/12.8, 12.9, 13.4

FIG. 1 is a top, front isometric view of the crop blower for a combine harvester, showing my new design;  
FIG. 2 is a front elevation thereof;  
FIG. 3 is a rear elevation thereof;  
FIG. 4 is a bottom plan thereof;  
FIG. 5 is a top plan thereof;  
FIG. 6 is an enlarged end elevational view thereof; and,  
FIG. 7 is an enlarged right end elevational view thereof.

[56] References Cited

U.S. PATENT DOCUMENTS

D. 204,612	5/1966	Long et al.	.....	D15/27
D. 217,276	4/1970	Kermes et al.	.....	D15/27
D. 258,657	3/1981	Stark	.....	D15/27



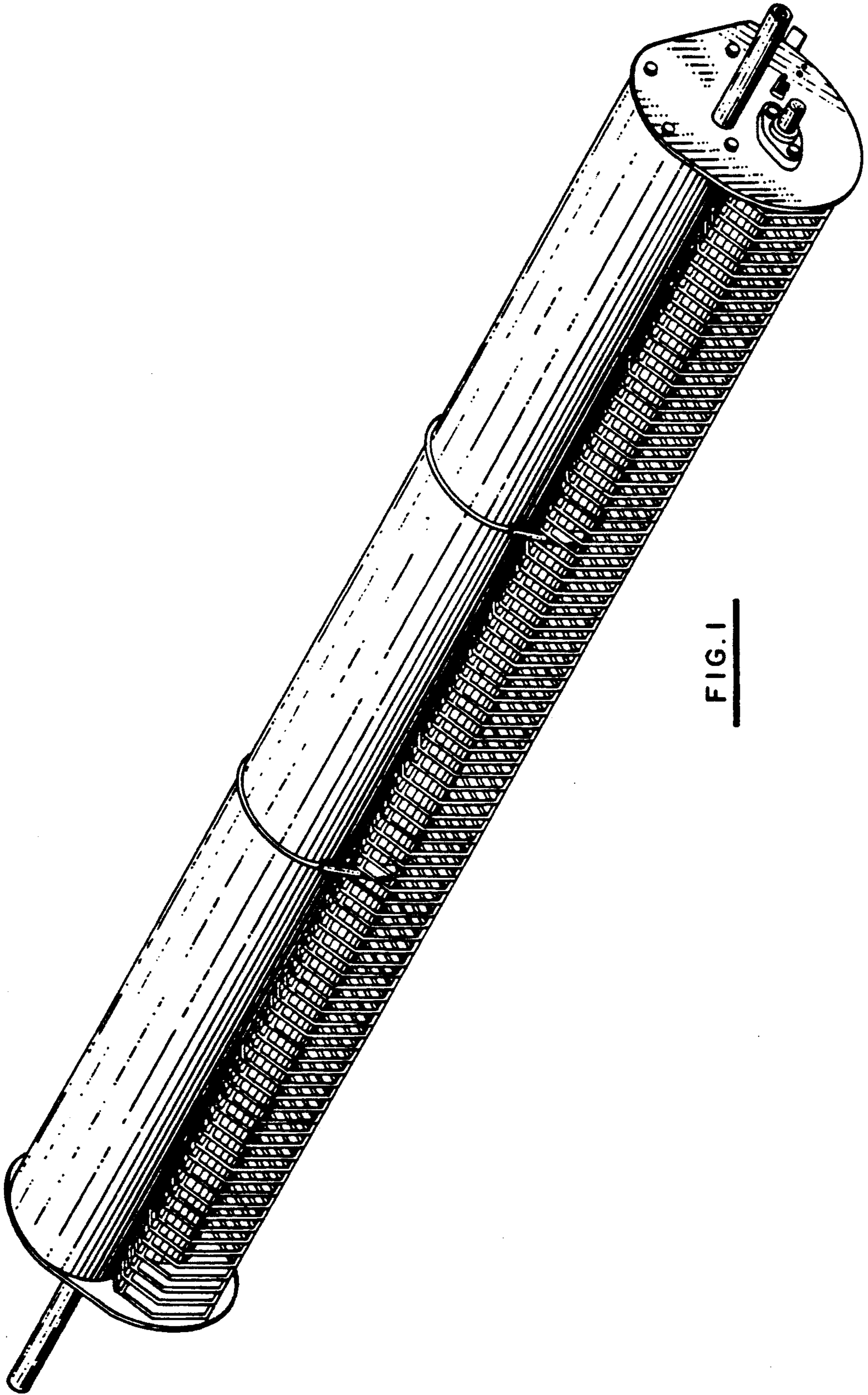


FIG. 1



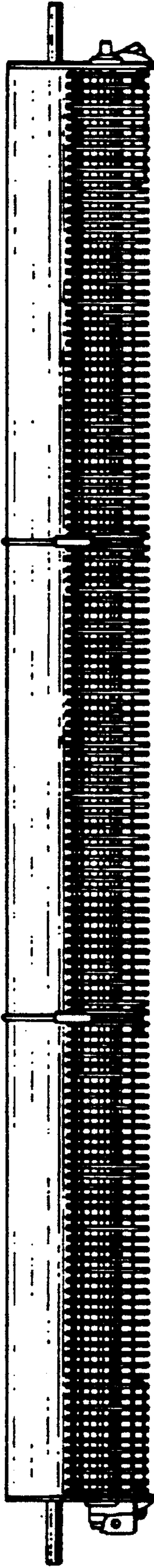


FIG. 2

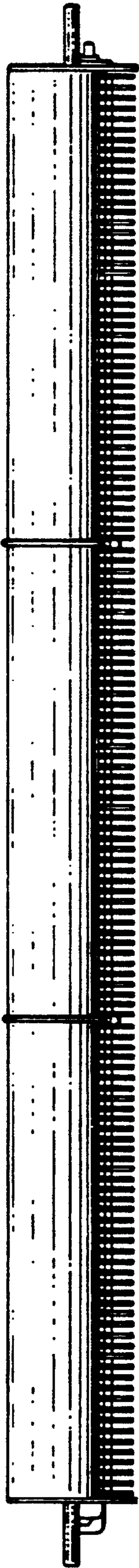


FIG. 3

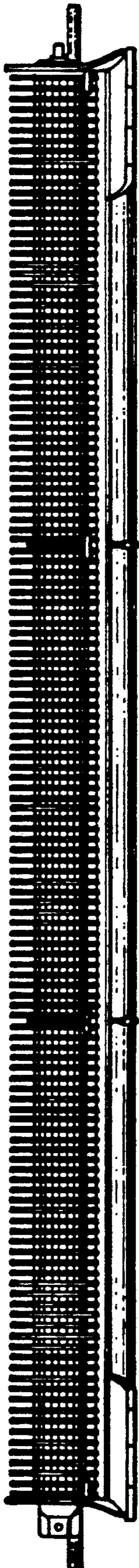


FIG. 4

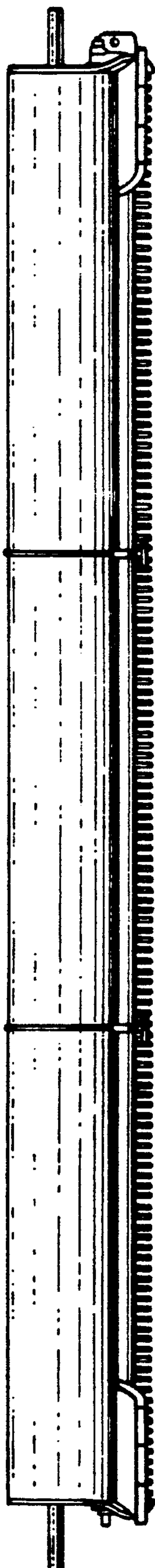


FIG. 5

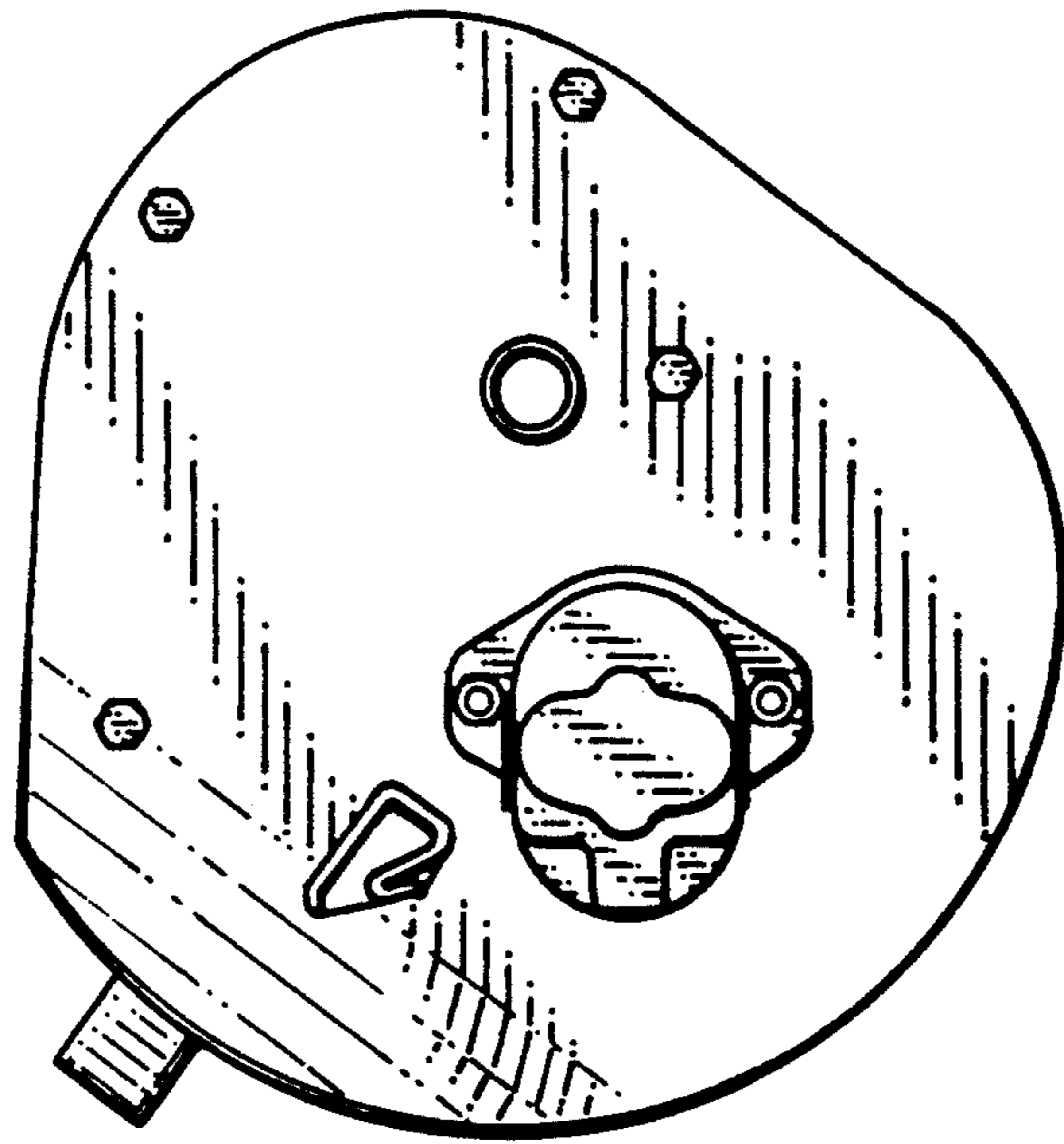


FIG. 6

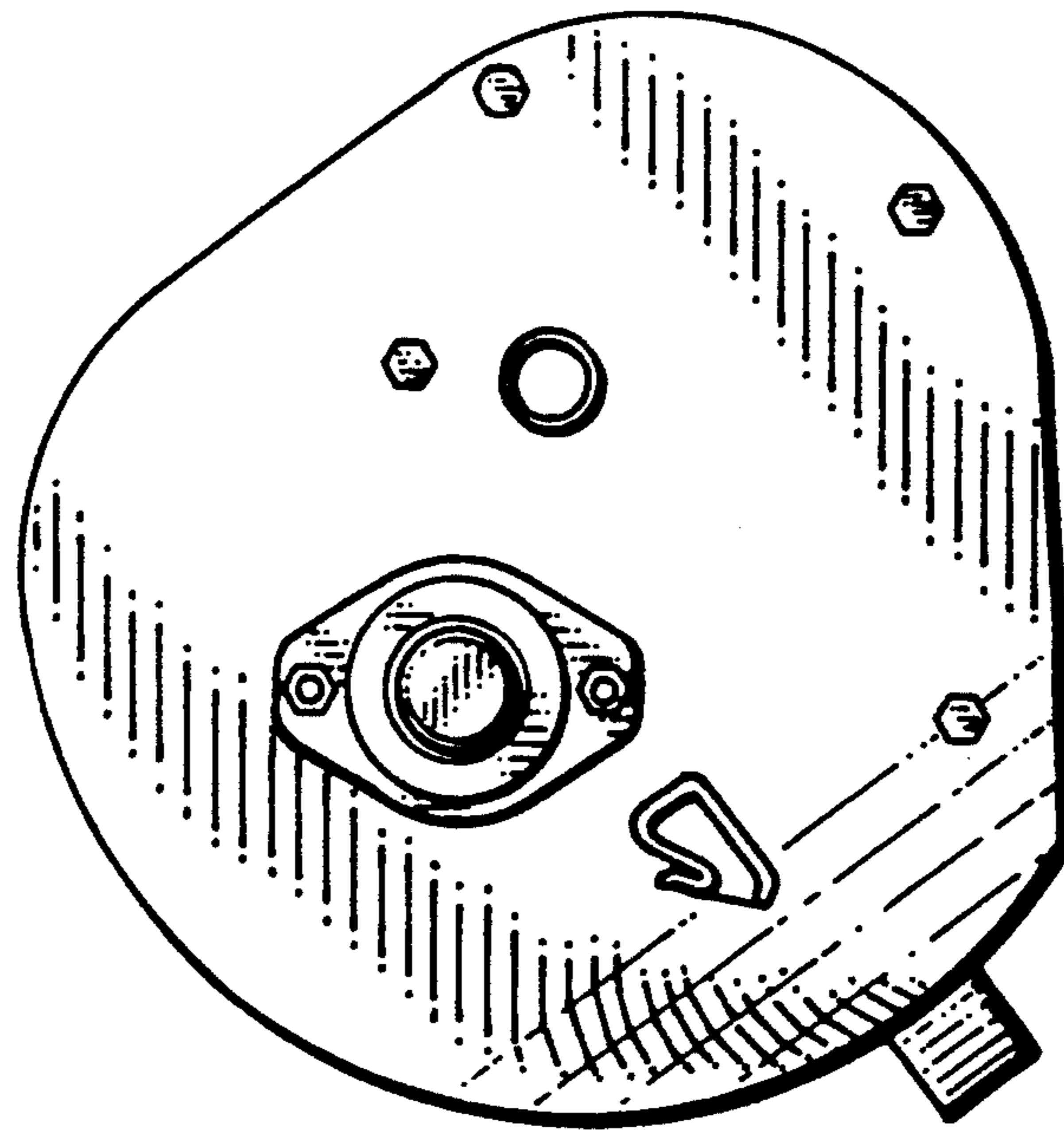


FIG. 7