



US00D337112S

United States Patent [19]

[11] Patent Number: **Des. 337,112**

Tanaka et al.

[45] Date of Patent: **** Jul. 6, 1993**

[54] **MAGNETIC TAPE CASSETTE**

4,618,903 10/1986 Oishi et al. D14/121 X

[75] Inventors: **Masato Tanaka; Kiyotaka Yanaka,**
both of Tokyo, Japan

Primary Examiner—Theodore M. Shooman
Attorney, Agent, or Firm—Lewis H. Eslinger; Jay H. Maioli

[73] Assignee: **Sony Corporation, Tokyo, Japan**

[57] **CLAIM**

[**] Term: **14 Years**

The ornamental design for a magnetic tape cassette, as shown and described.

[21] Appl. No.: **754,698**

DESCRIPTION

[22] Filed: **Sep. 4, 1991**

[52] U.S. Cl. **D14/121**

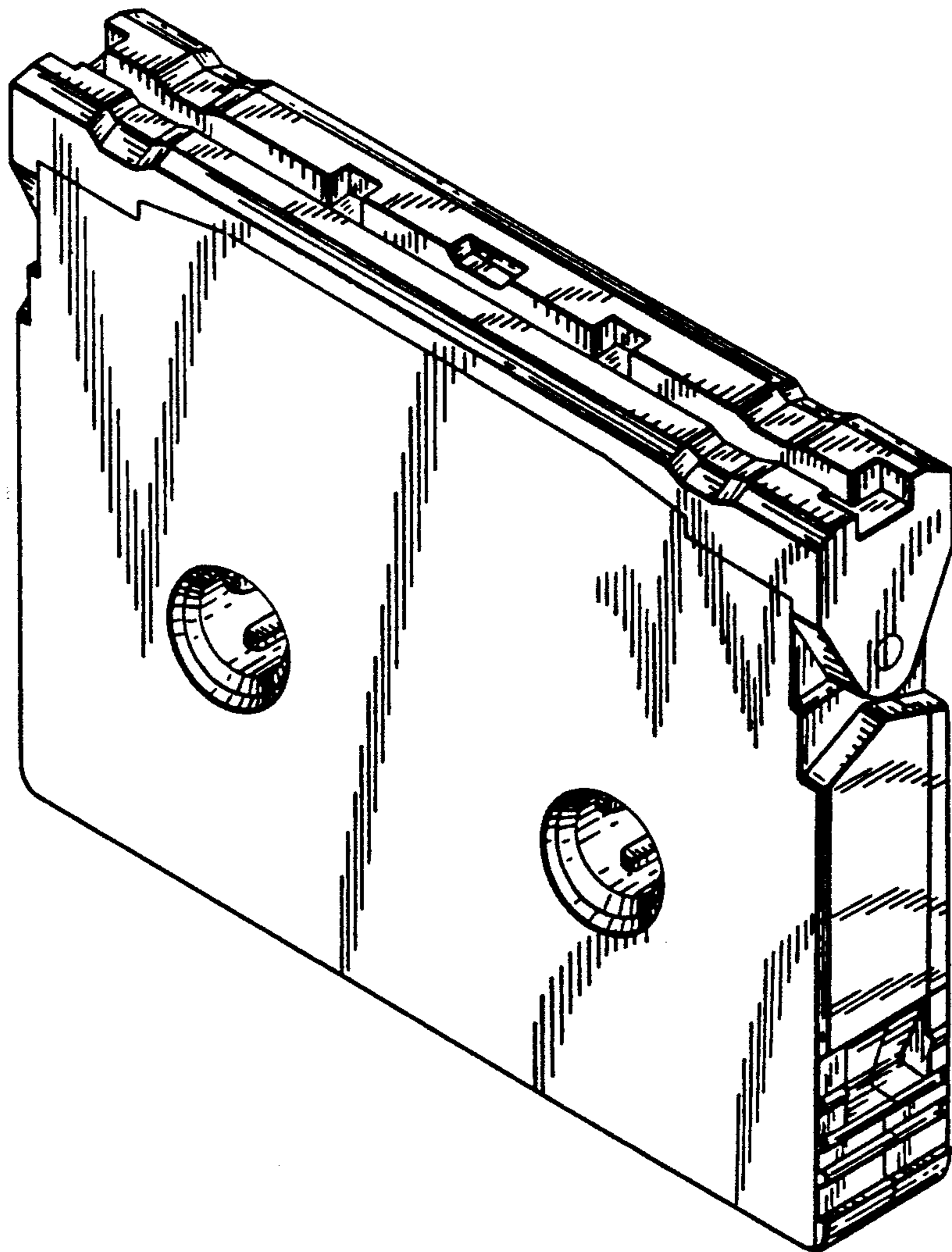
[58] Field of Search **D14/114, 120-122,**
D14/299; 242/55.19 A, 197-200; 273/DIG. 28,
85 G

FIG. 1 is a front view showing our new design;
FIG. 2 is a right-side view thereof;
FIG. 3 is a back view thereof;
FIG. 4 is a cross sectional view thereof, taken along line 2—2 of FIG. 1;
FIG. 5 is a top plan view thereof;
FIG. 6 is a cross sectional view thereof, taken along line 1—1 of FIG. 1;
FIG. 7 is a bottom plan view thereof;
FIG. 8 is a reference perspective view with cassette holder in open position thereof; and,
FIG. 9 is a perspective view.

[56] **References Cited**

U.S. PATENT DOCUMENTS

- D. 245,908 9/1977 Kishi D14/121
- D. 293,100 12/1987 Rutkowski et al. D14/121
- D. 328,092 7/1992 Inoue et al. D14/121 X
- D. 330,372 10/1992 Yanaka et al. D14/121



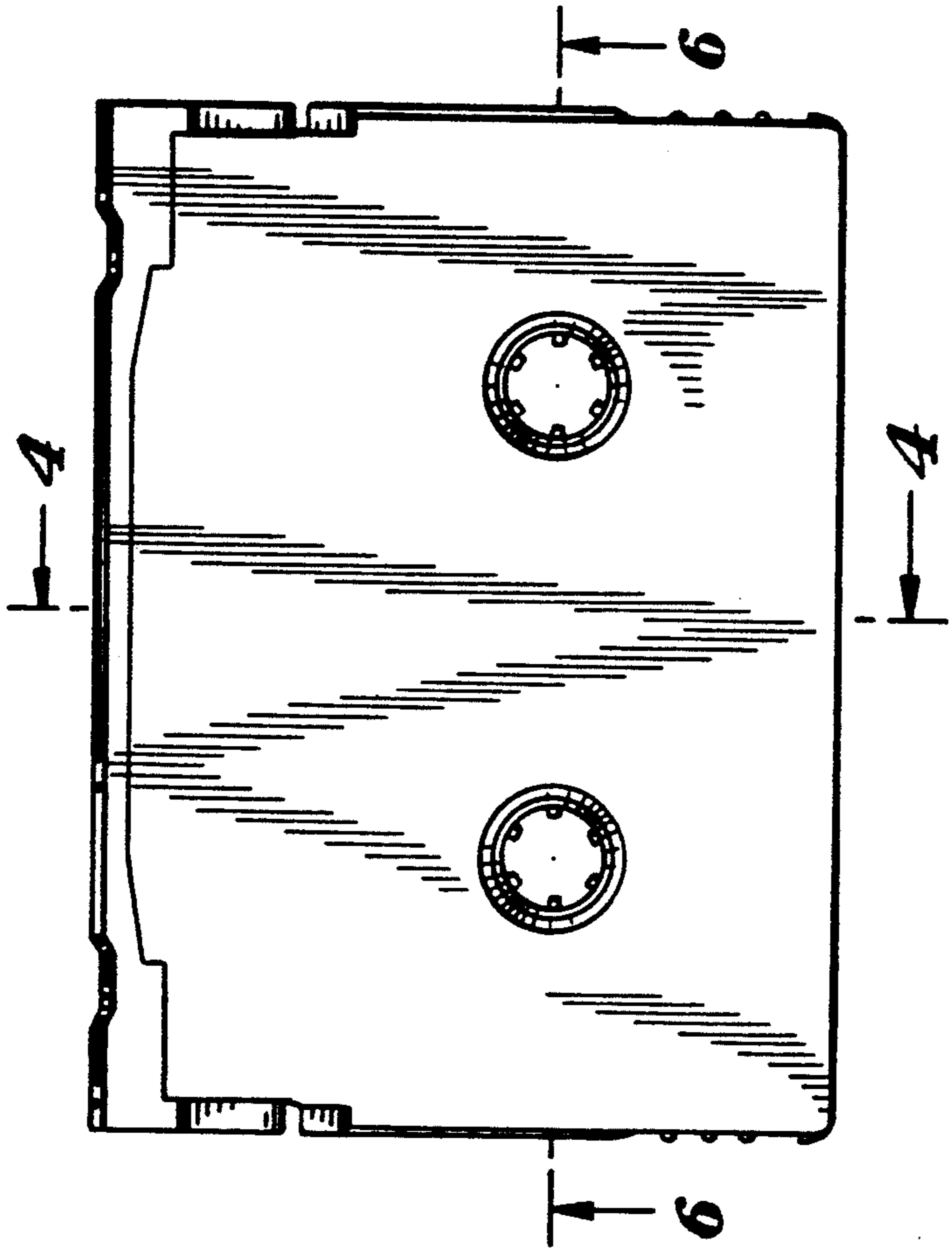


FIG. 1

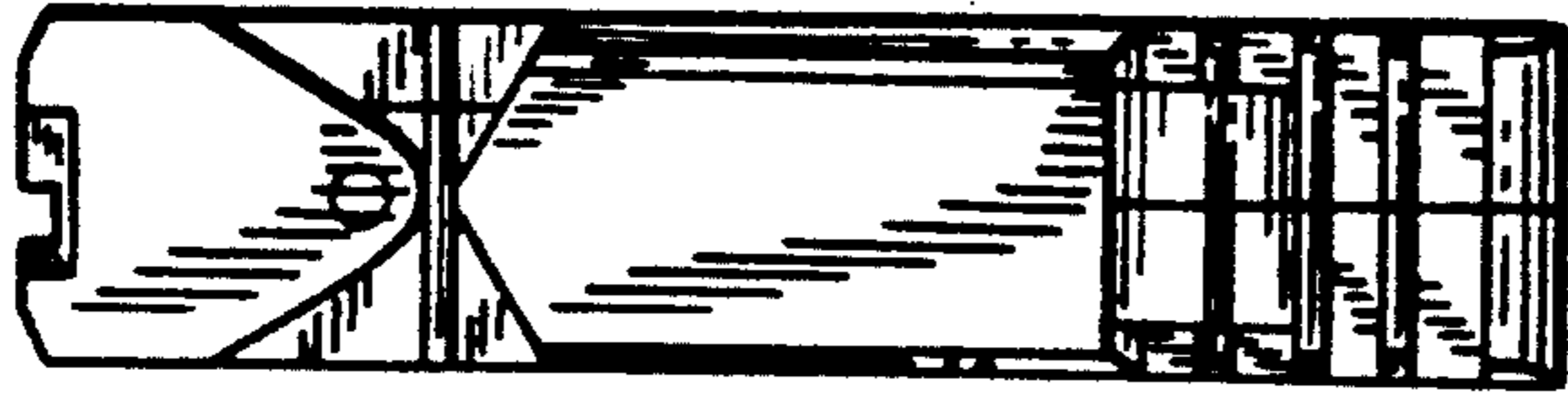


FIG. 2



FIG. 5

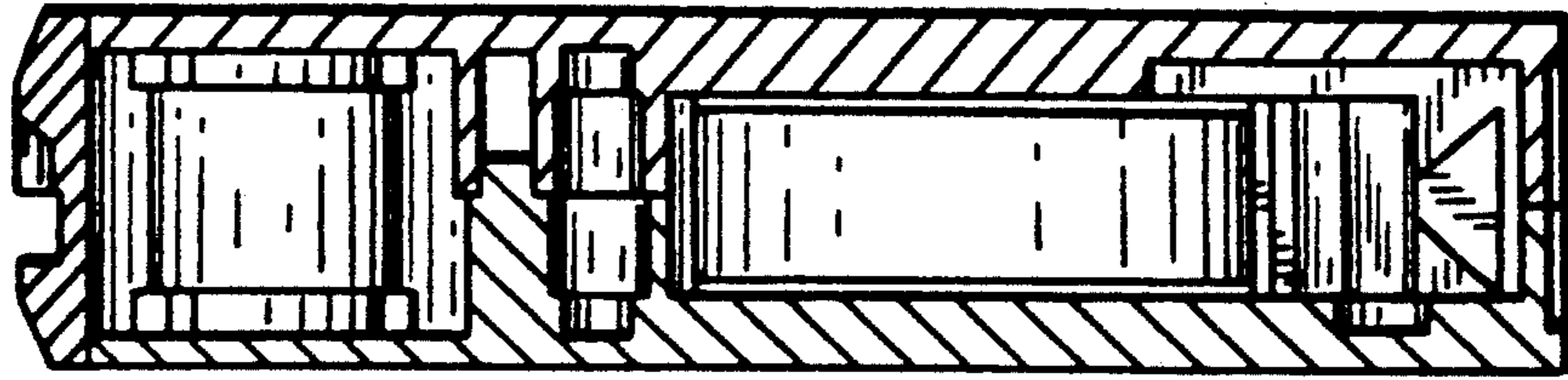


FIG. 4

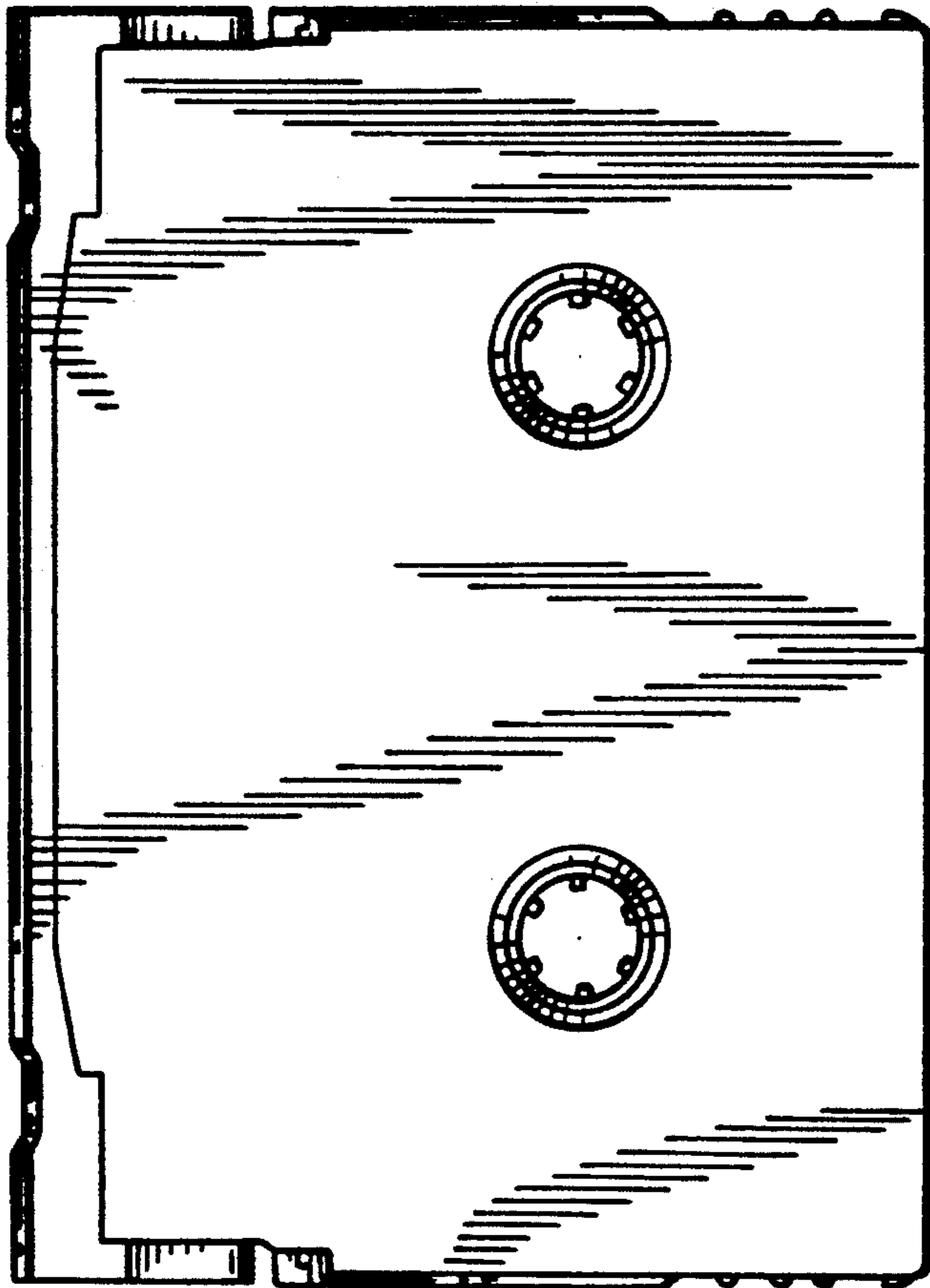


FIG. 3

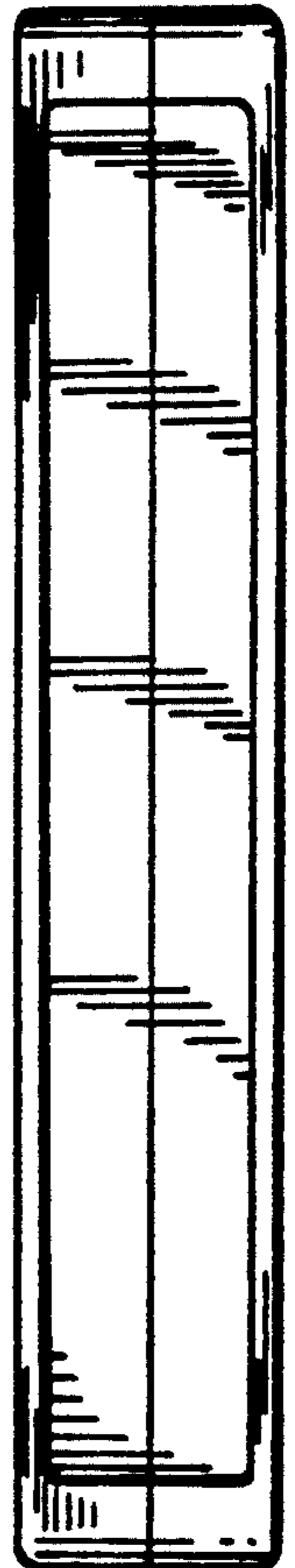


FIG. 7

FIG. 6

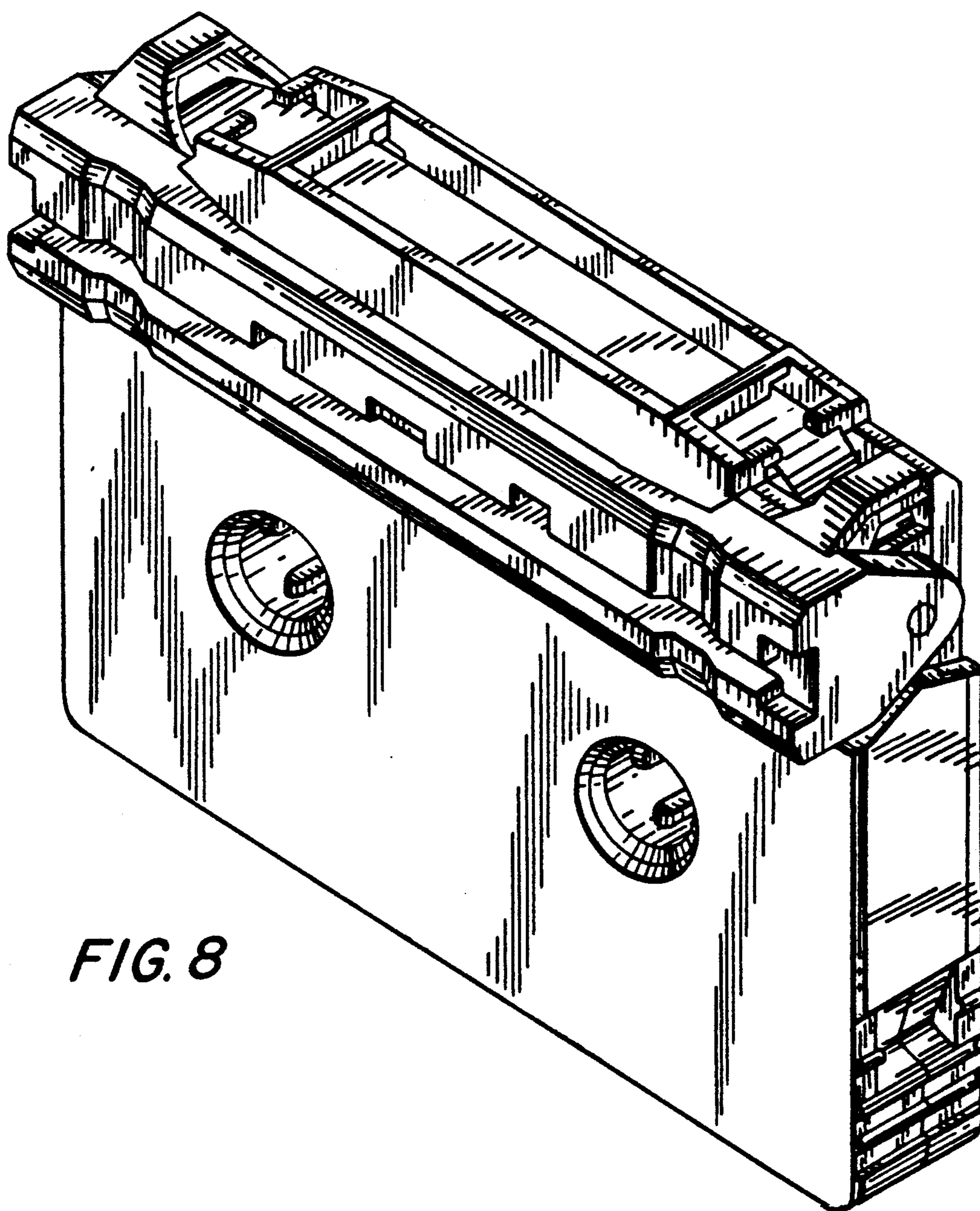
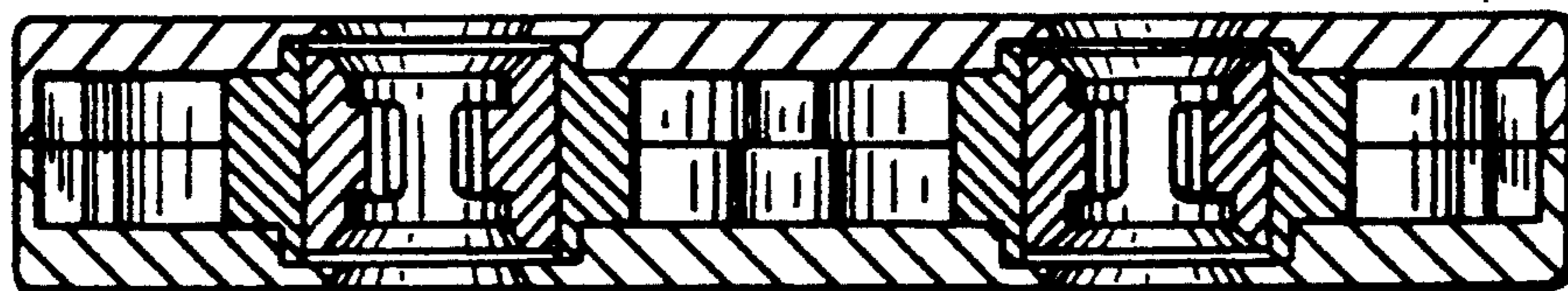


FIG. 8

FIG. 9

