



US00D337104S

# United States Patent [19] Orchard

[11] Patent Number: **Des. 337,104**  
[45] Date of Patent: **\*\* Jul. 6, 1993**

[54] **FLAT SCREEN DISPLAY TERMINAL**

[75] Inventor: **Anthony R. Orchard, Wantagh, N.Y.**

[73] Assignee: **NCR Corporation, Dayton, Ohio**

[\*\*] Term: **14 Years**

[21] Appl. No.: **745,645**

[22] Filed: **Aug. 15, 1991**

[52] U.S. Cl. .... **D14/113**

[58] Field of Search ..... **D14/100, 101, 106, 113,  
D14/124-127; 340/700, 706; 358/249, 254,  
255; 248/917-924**

[56] **References Cited**

**U.S. PATENT DOCUMENTS**

D. 294,262	2/1988	Thies et al. ....	D14/113
D. 303,661	9/1989	Manabe et al. ....	D14/113
D. 313,405	1/1991	Barry et al. ....	D14/113
D. 317,912	7/1991	Takai .....	D14/113
D. 319,435	8/1991	Brown .....	D14/113
D. 326,847	6/1992	Savio .....	D14/113
4,528,597	7/1985	Klein et al. ....	358/254
5,100,098	3/1992	Hawkins .....	D14/113 X

**OTHER PUBLICATIONS**

Plastics Design Forum, Nov./Dec. 1989 issue, p. 86

shows in an upper right figure an LCD Monitor from Seiko.

Davis Display Terminal Front and Rear Perspective Views.

Fujitsu Advertisement of its Model FPF12000S Flat Panel Plasma display.

Lohja Corporation of Finland Advertisements of its Finlux model ELT220 Display Terminal and its Model Elm 640,350 EGA Monitor.

*Primary Examiner*—Wallace R. Burke

*Assistant Examiner*—Freda S. Nunn

*Attorney, Agent, or Firm*—Jack R. Penrod

[57] **CLAIM**

The ornamental design for a flat screen display terminal, as shown and described.

**DESCRIPTION**

FIG. 1 is a front elevational view of a flat screen display terminal showing our new design;

FIG. 2 is a rear elevational view thereof;

FIG. 3 is a right side elevational view thereof;

FIG. 4 is a left side elevational view thereof;

FIG. 5 is a top plan view thereof; and,

FIG. 6 is a perspective view thereof.

FIGS. 3-5 are shown on an enlarged scale.

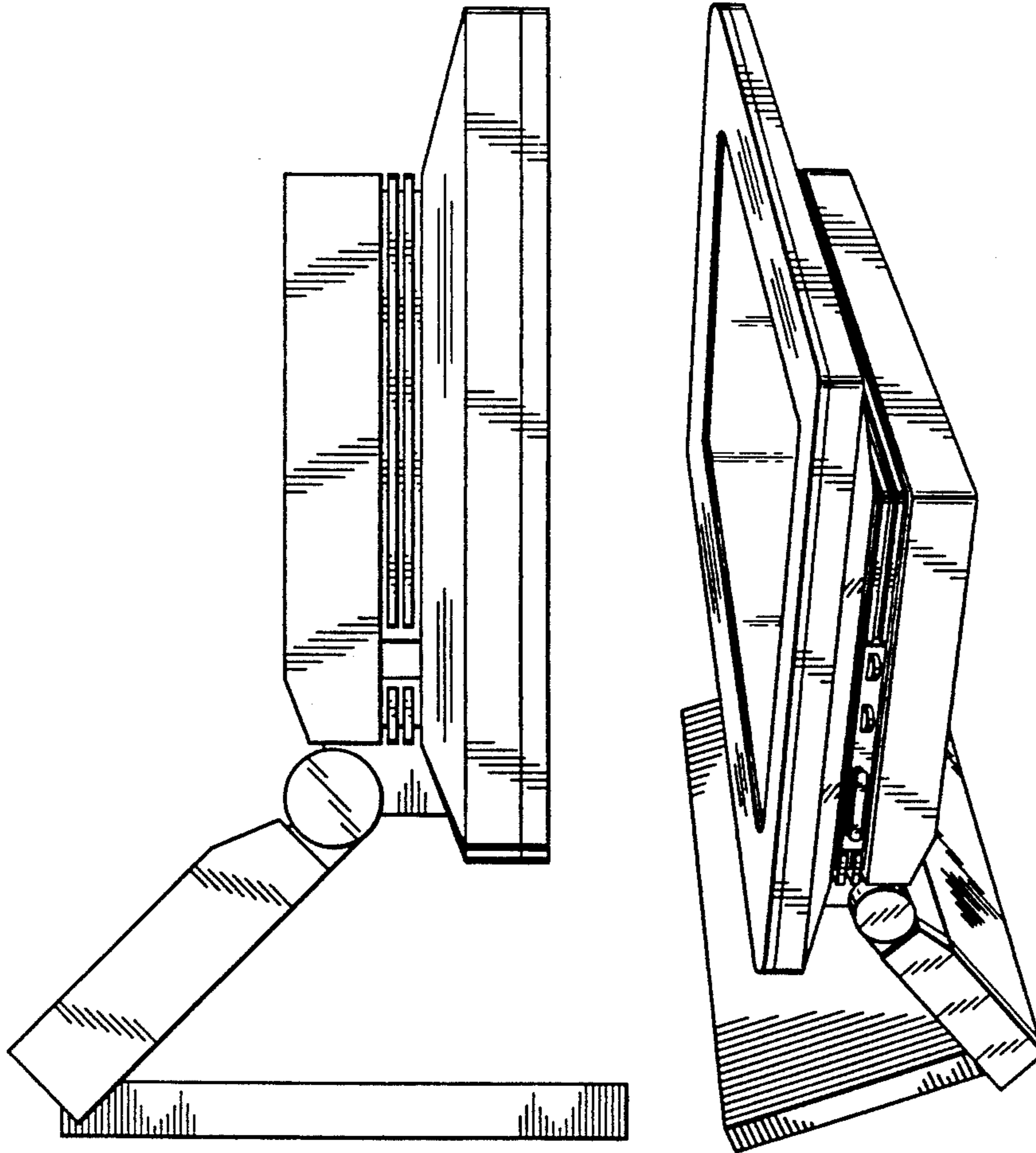
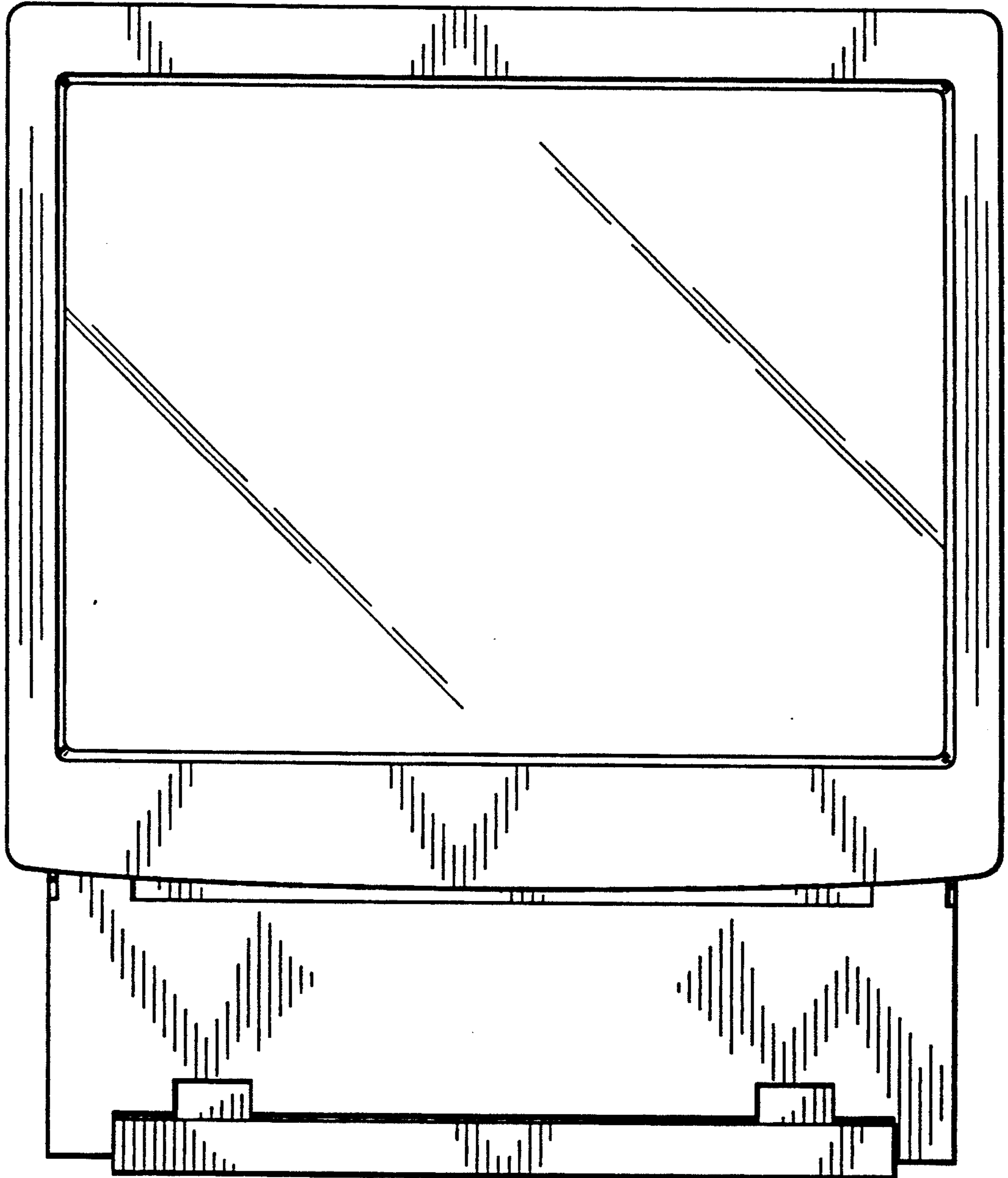


FIG. 1



**FIG. 2**

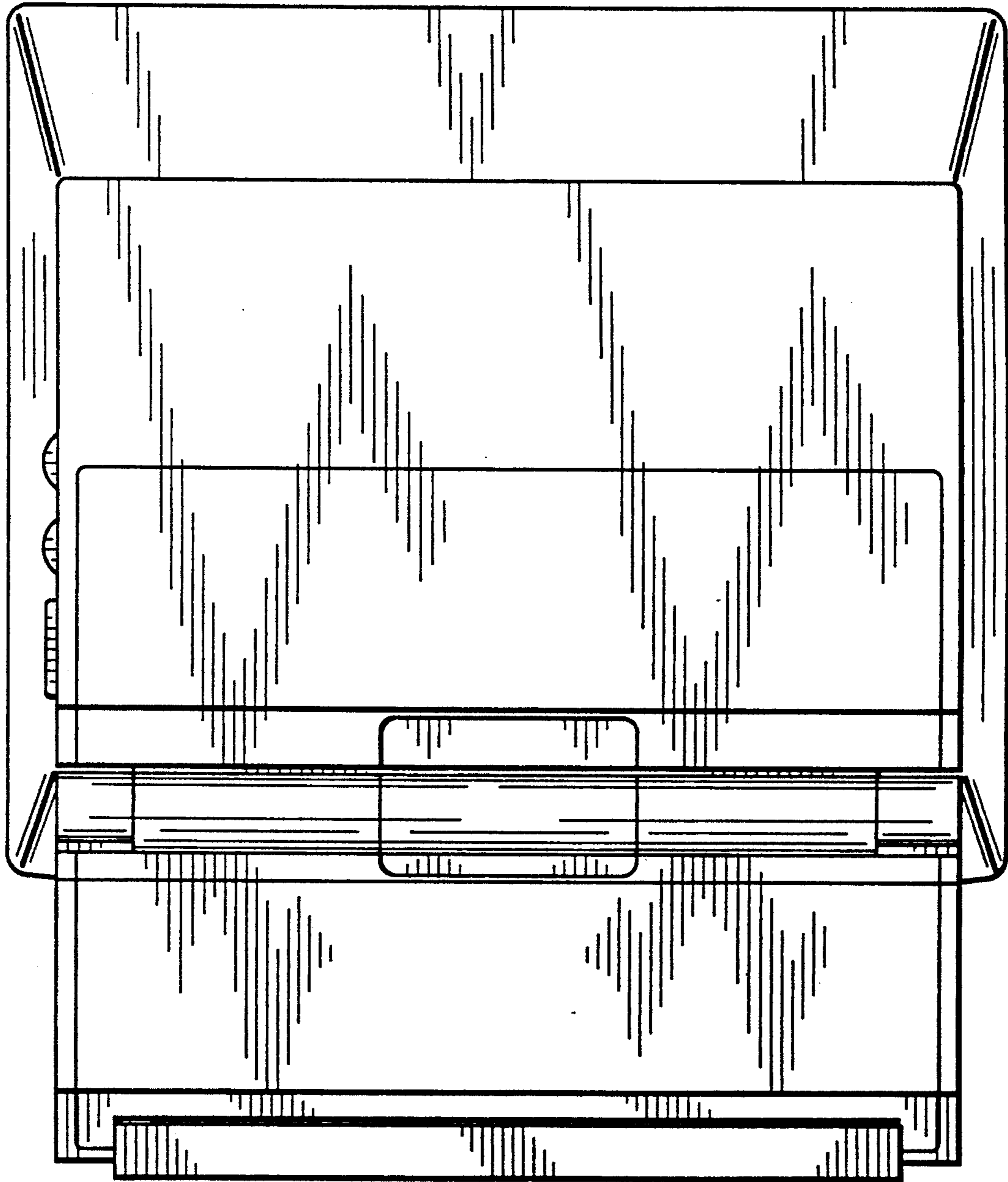
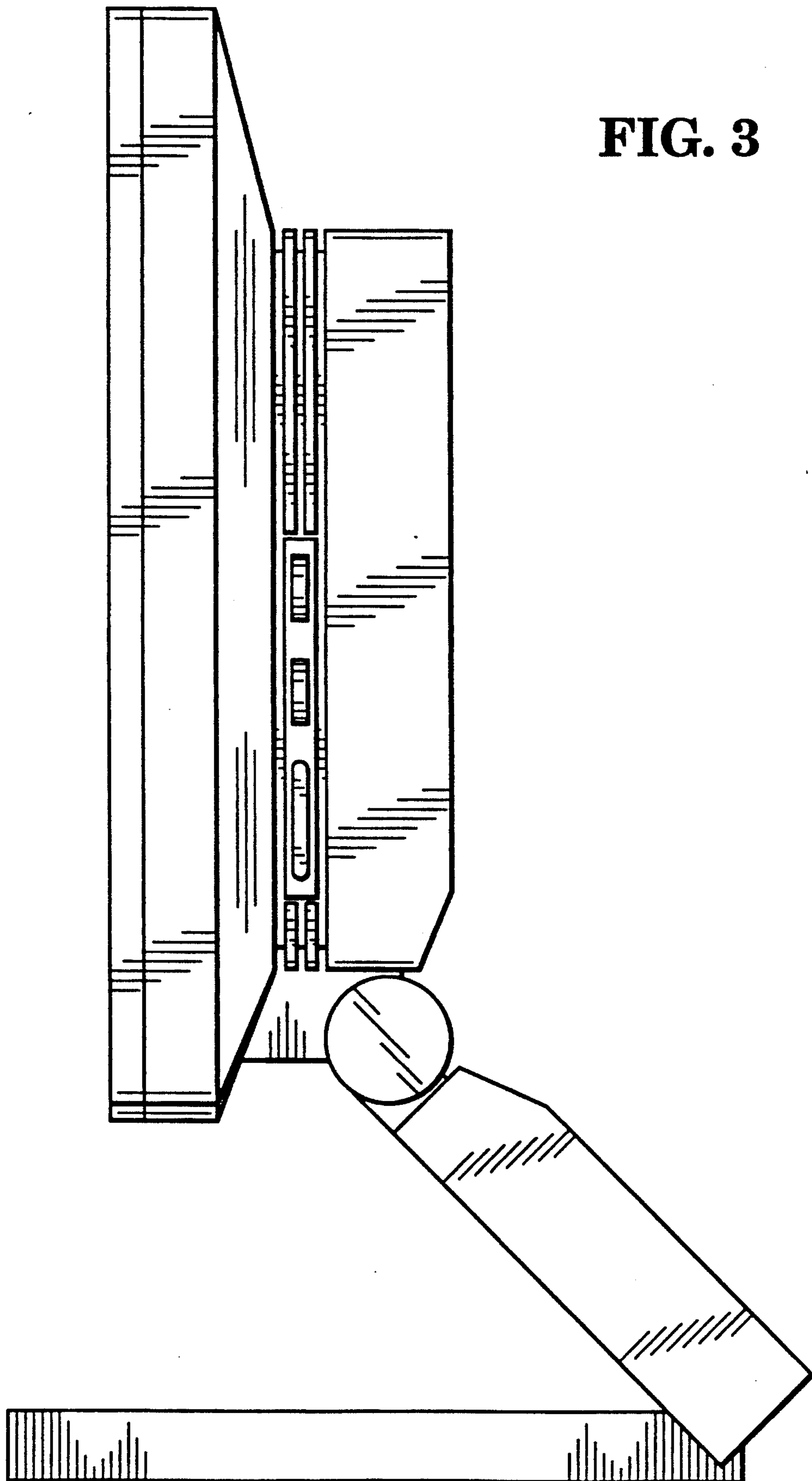


FIG. 3



**FIG. 4**

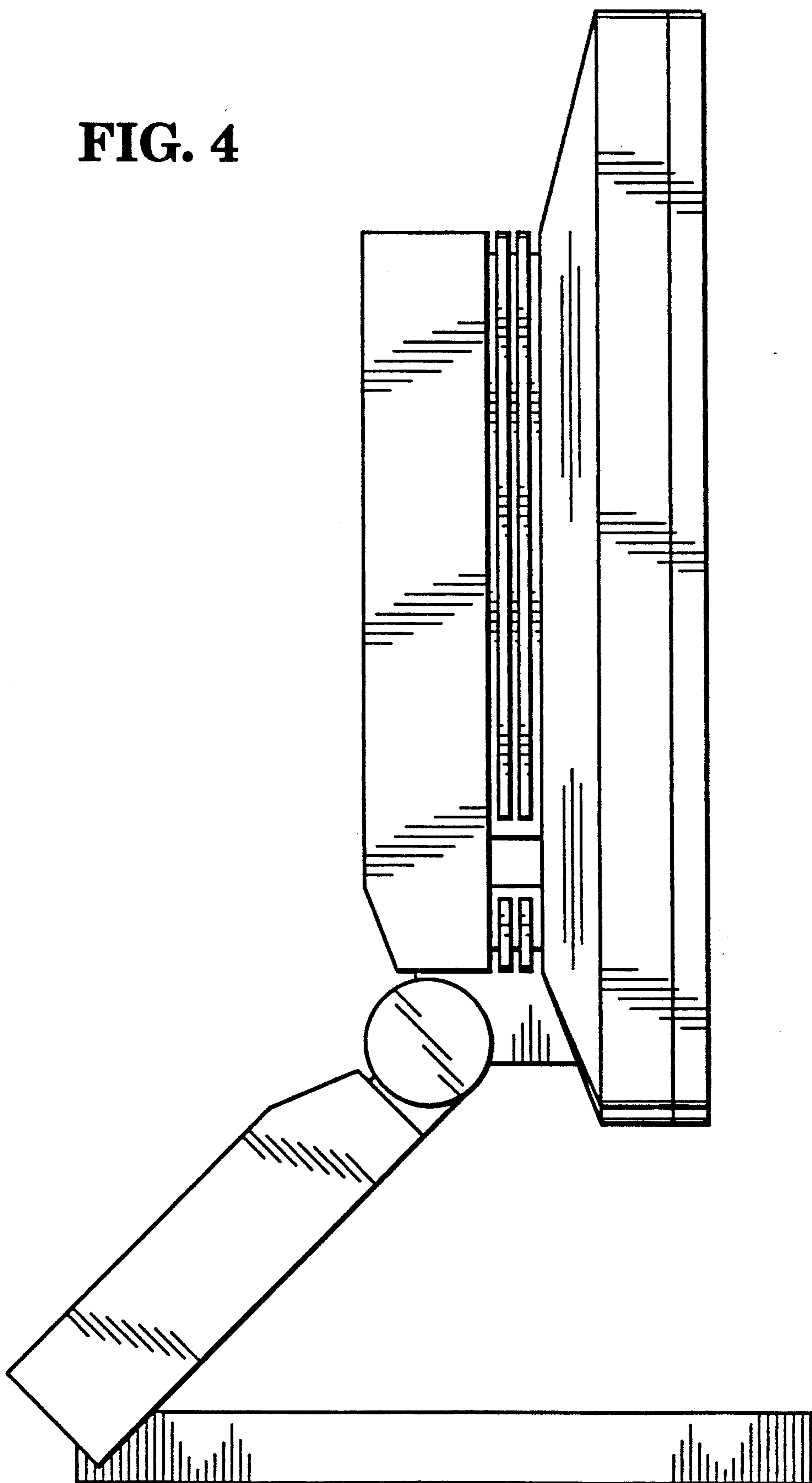
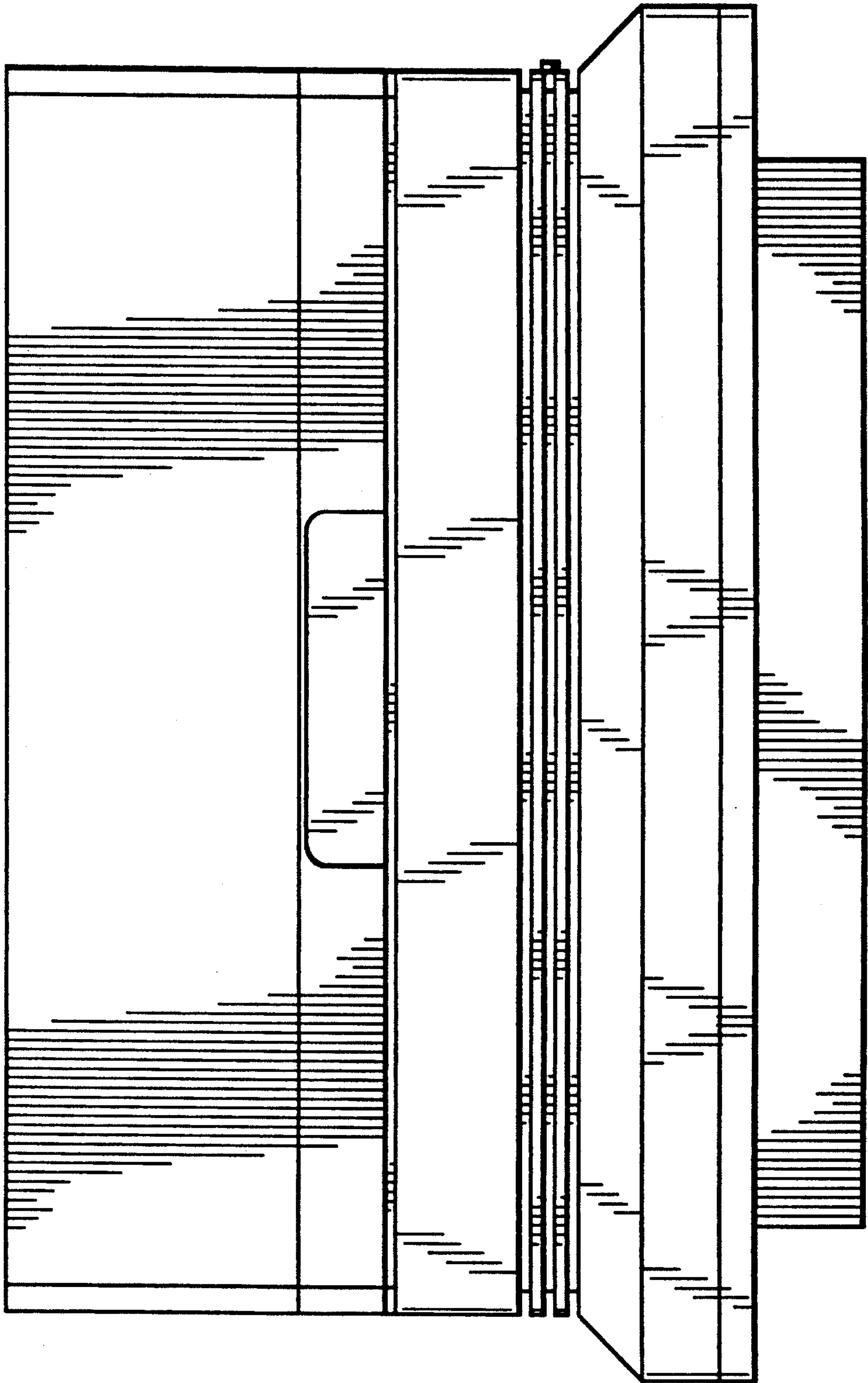


FIG. 5



**FIG. 6**

