



US00D337099S

United States Patent [19]

[11] Patent Number: **Des. 337,099**

Dornback et al.

[45] Date of Patent: **** Jul. 6, 1993**

[54] **MICROCOMPUTER**

[76] Inventors: **Thomas F. Dornback**, 301 Woodcreek, Wheeling, Ill. 60090; **Howard K. Fullmer**, 26637 Durham Way, Hayward, Calif. 94542; **Rex L. Beaton**, 113 W. 8th St., Wilmington, Del. 19801

[**] Term: **14 Years**

[21] Appl. No.: **728,073**

[22] Filed: **Jul. 10, 1991**

[52] U.S. Cl. **D14/106**

[58] Field of Search **D14/100, 101, 106, 113, D14/115; D18/1, 7, 11, 12; 235/145 A, 145 R; 340/700, 706; 341/22, 23; 364/708, 709.04; 361/390, 394**

[56] **References Cited**

U.S. PATENT DOCUMENTS

- D. 317,759 6/1991 Azima D14/106
- D. 321,173 10/1991 Lo D14/100
- D. 329,853 9/1992 Mizusugi et al. D14/106

D. 330,703 11/1992 Cheung et al. D14/100

FOREIGN PATENT DOCUMENTS

685121 10/1988 Japan D14/106

Primary Examiner—Wallace R. Burke

Assistant Examiner—Freda S. Nunn

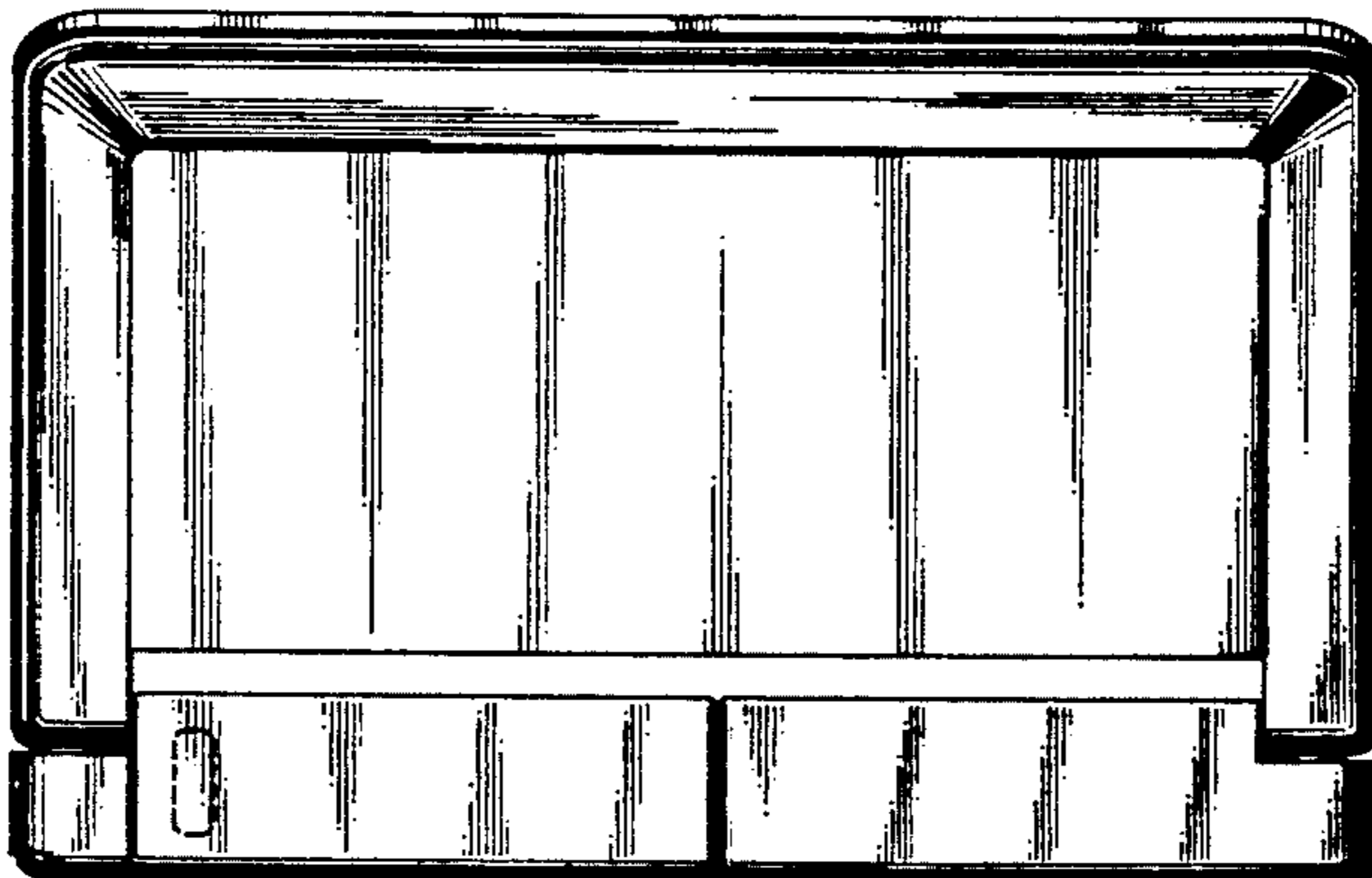
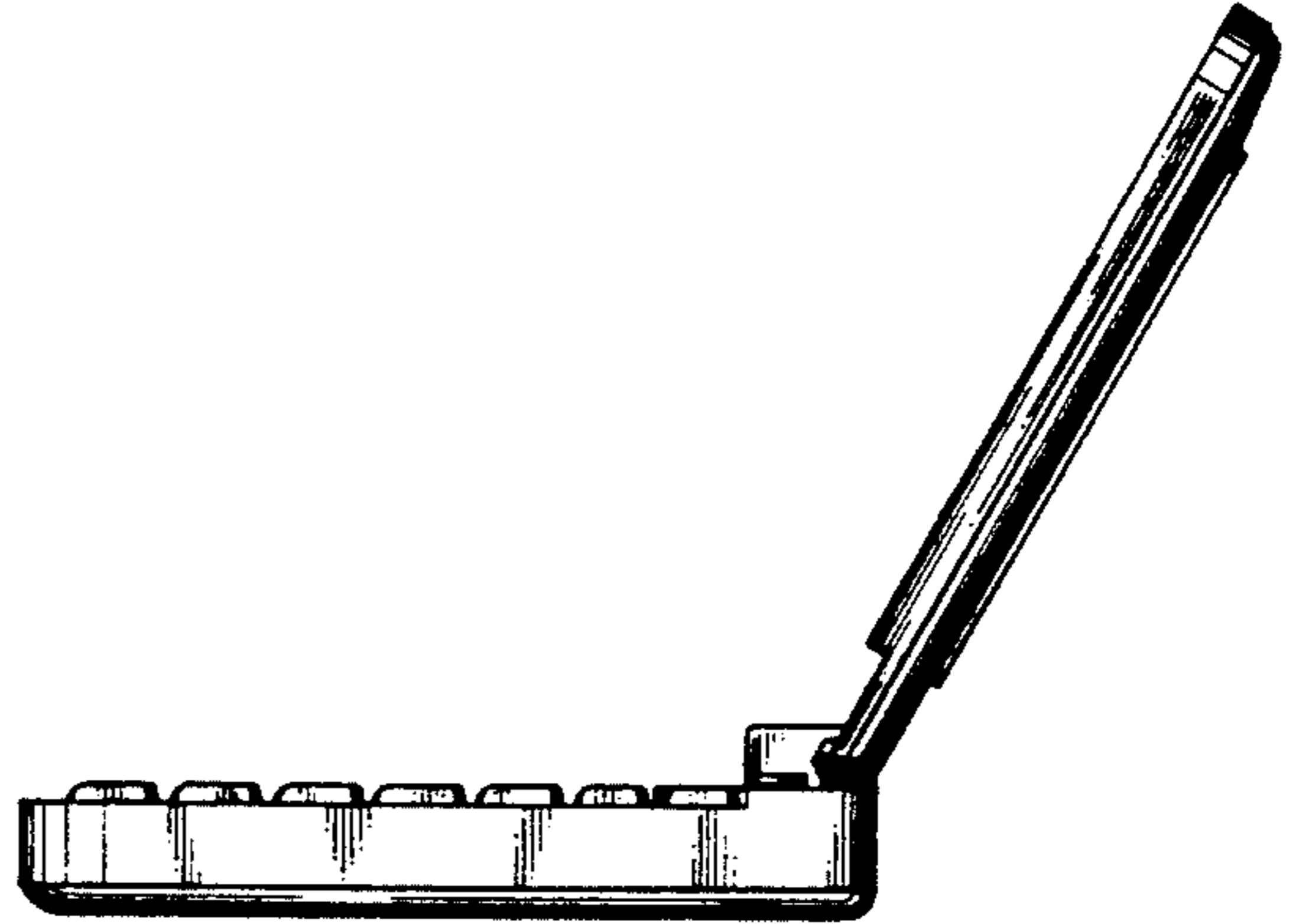
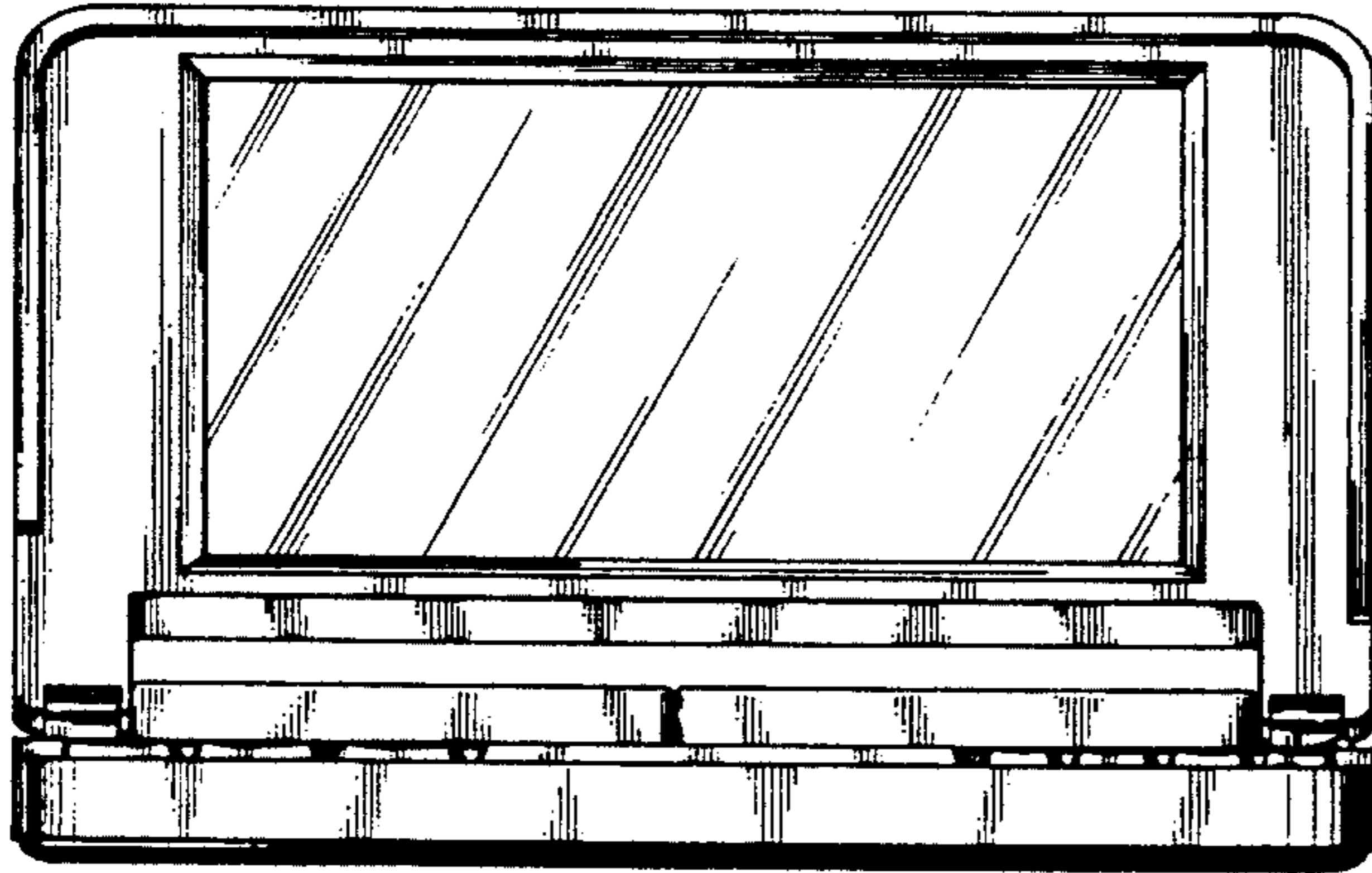
[57] **CLAIM**

The ornamental design for a microcomputer, as described and shown.

DESCRIPTION

FIG. 1 is a front elevational view of a microcomputer showing our new design;
 FIG. 2 is a rear elevational view of the microcomputer shown in FIG. 1;
 FIG. 3 is a top plan view;
 FIG. 4 is a right side elevational view;
 FIG. 5 is a bottom plan view; and,
 FIG. 6 is a left side elevational view.

The broken lines shown in the views are shown for illustrative purposes only and form no part of the claimed design.



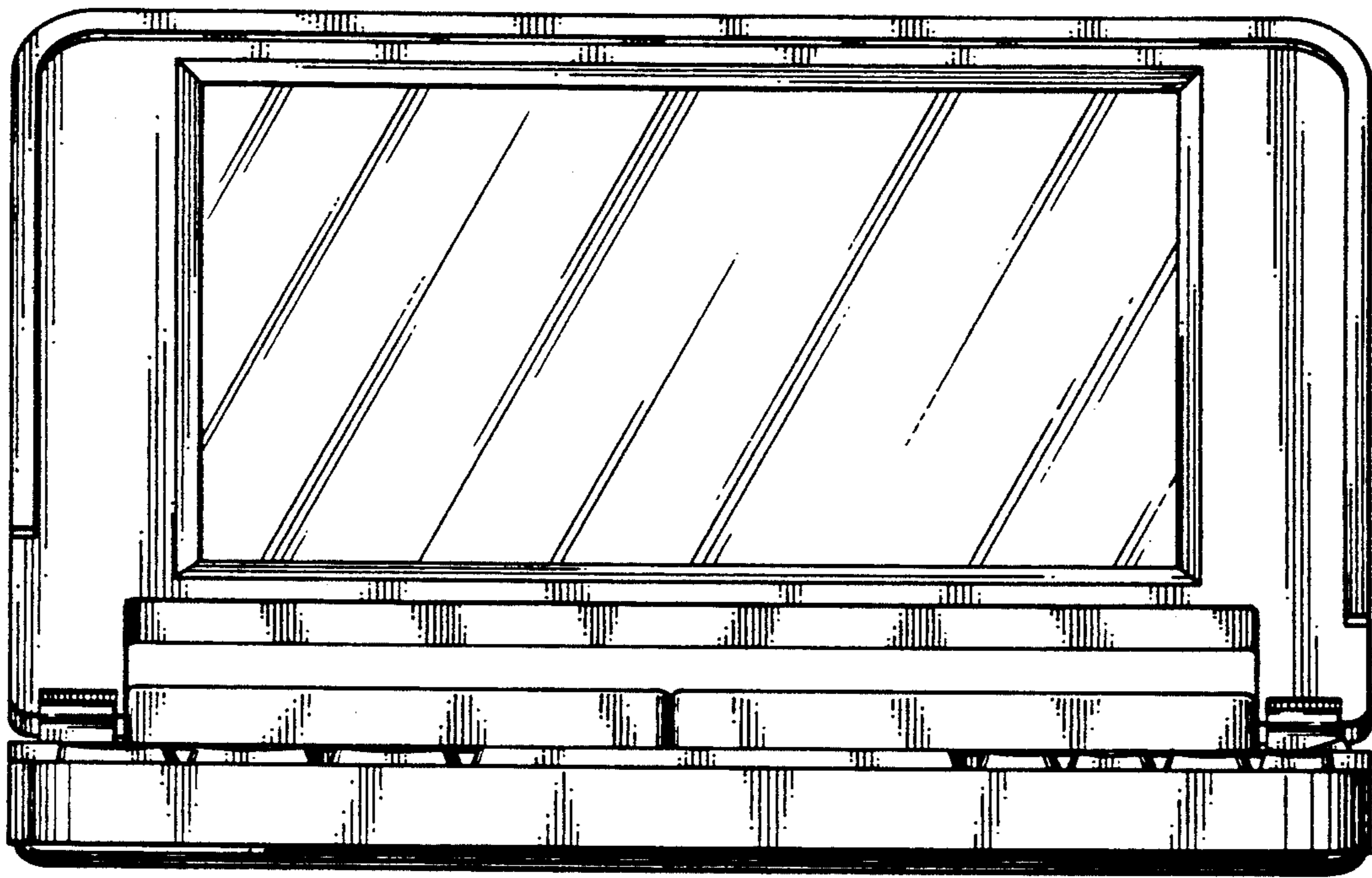


Fig. 1.

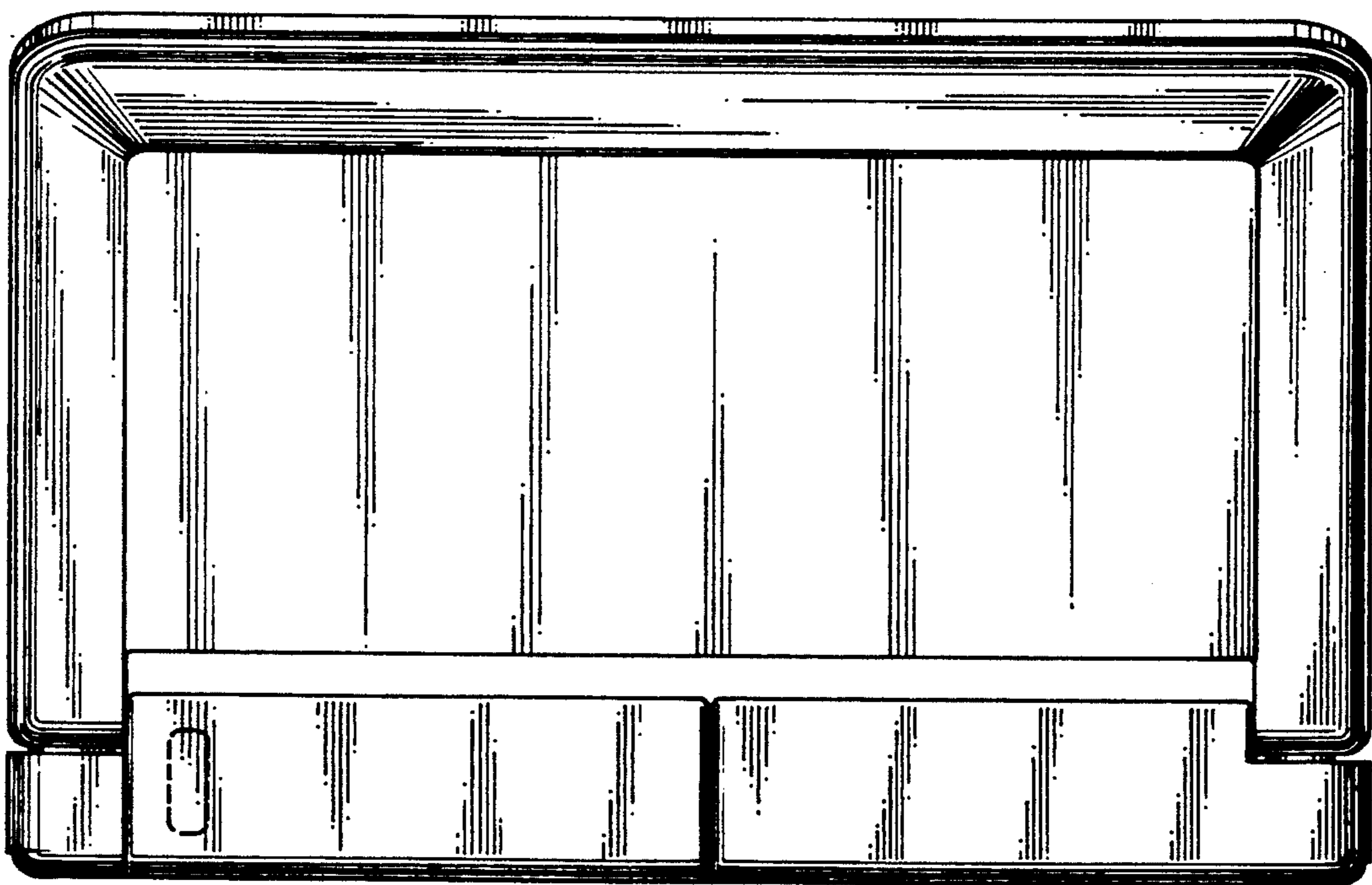


Fig. 2.

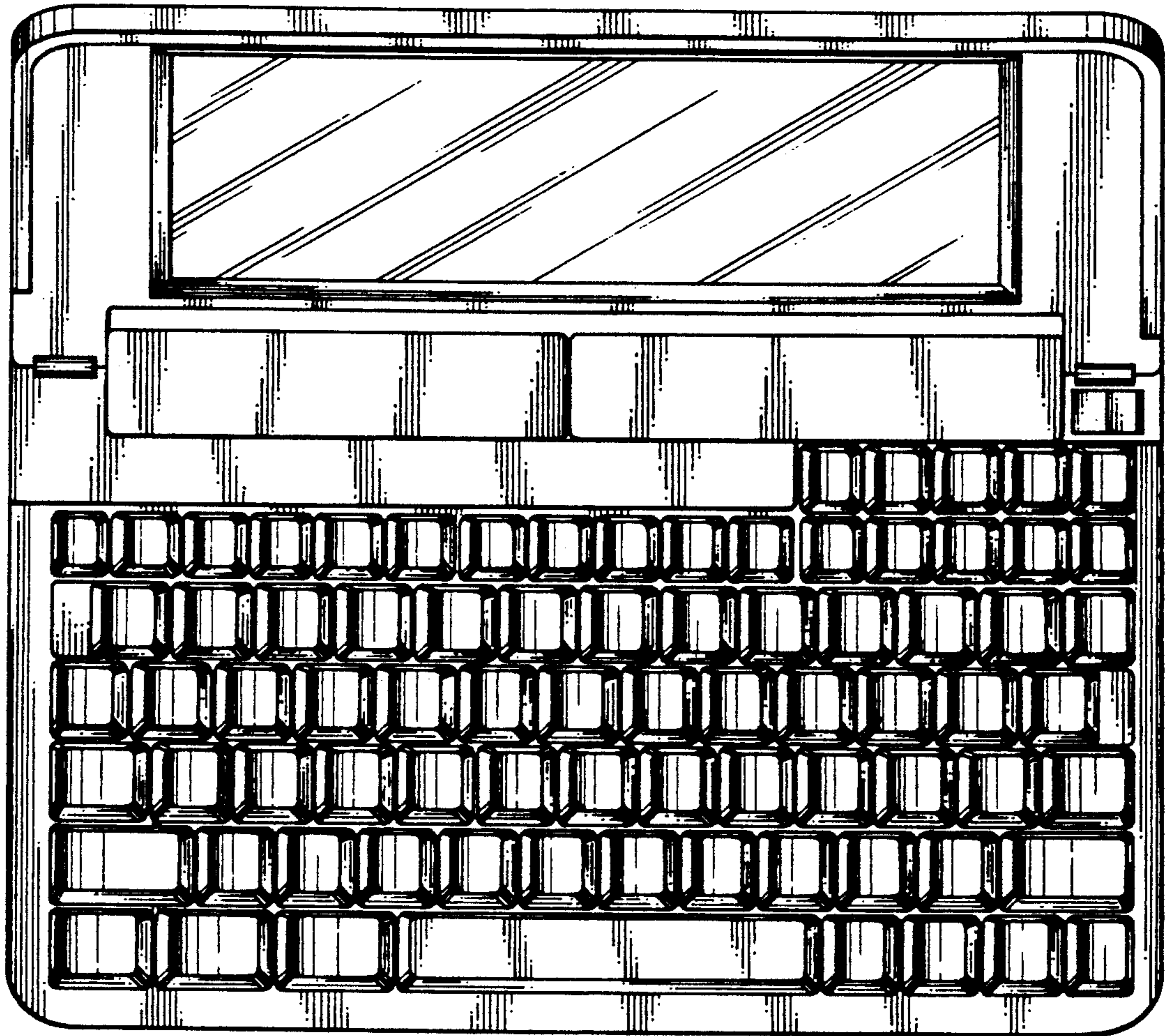


Fig. 3.

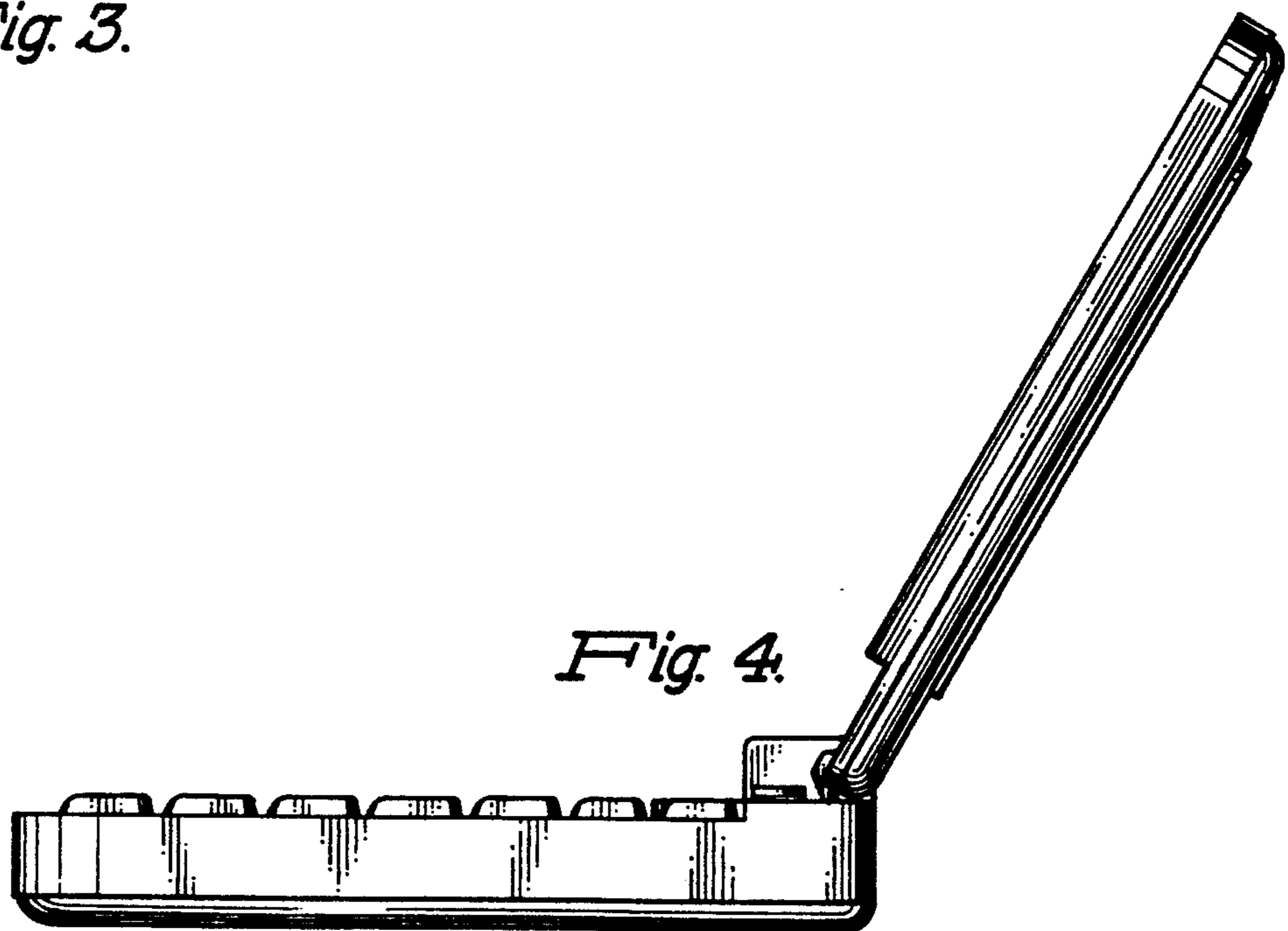


Fig. 4.

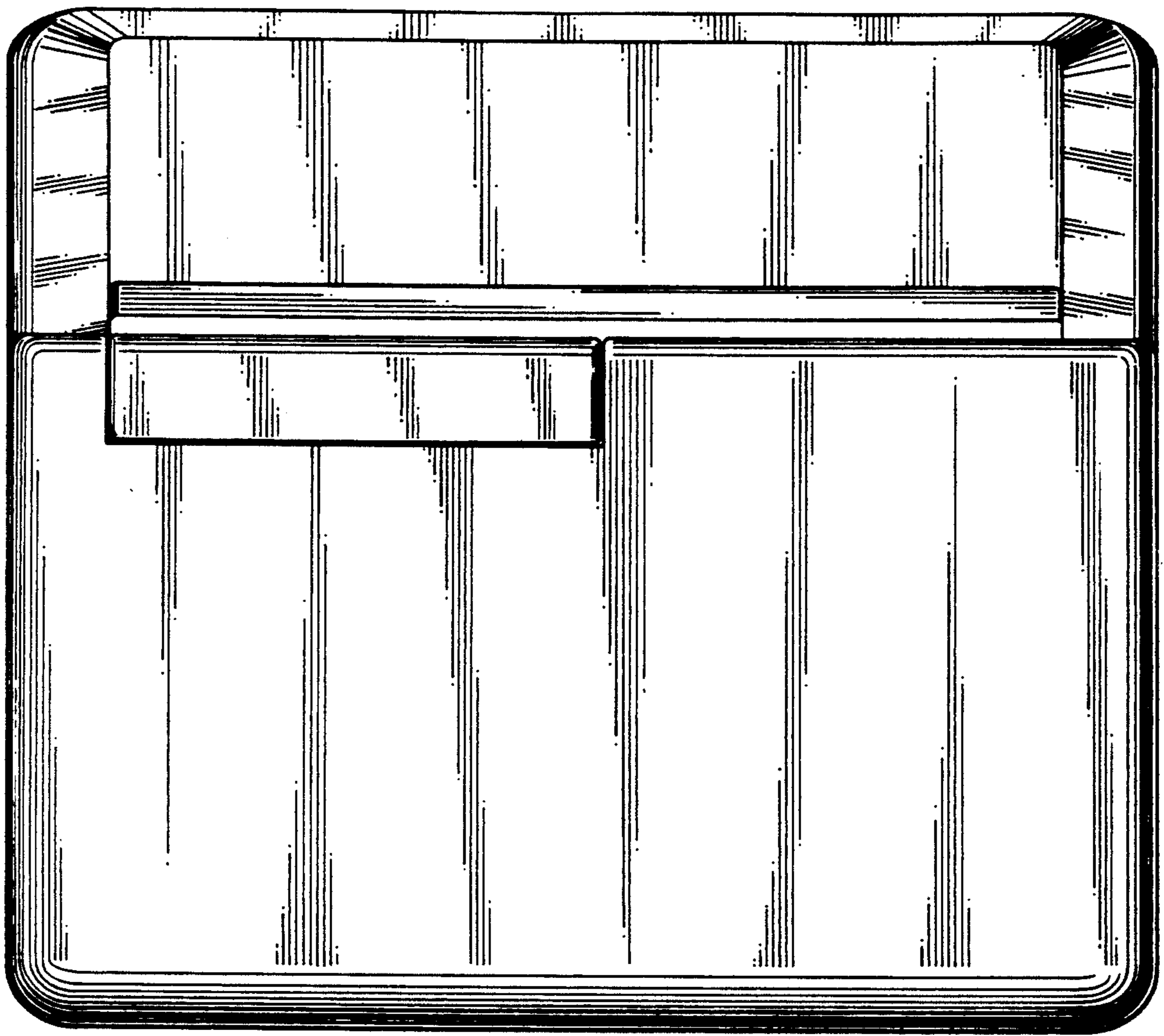


Fig. 5.

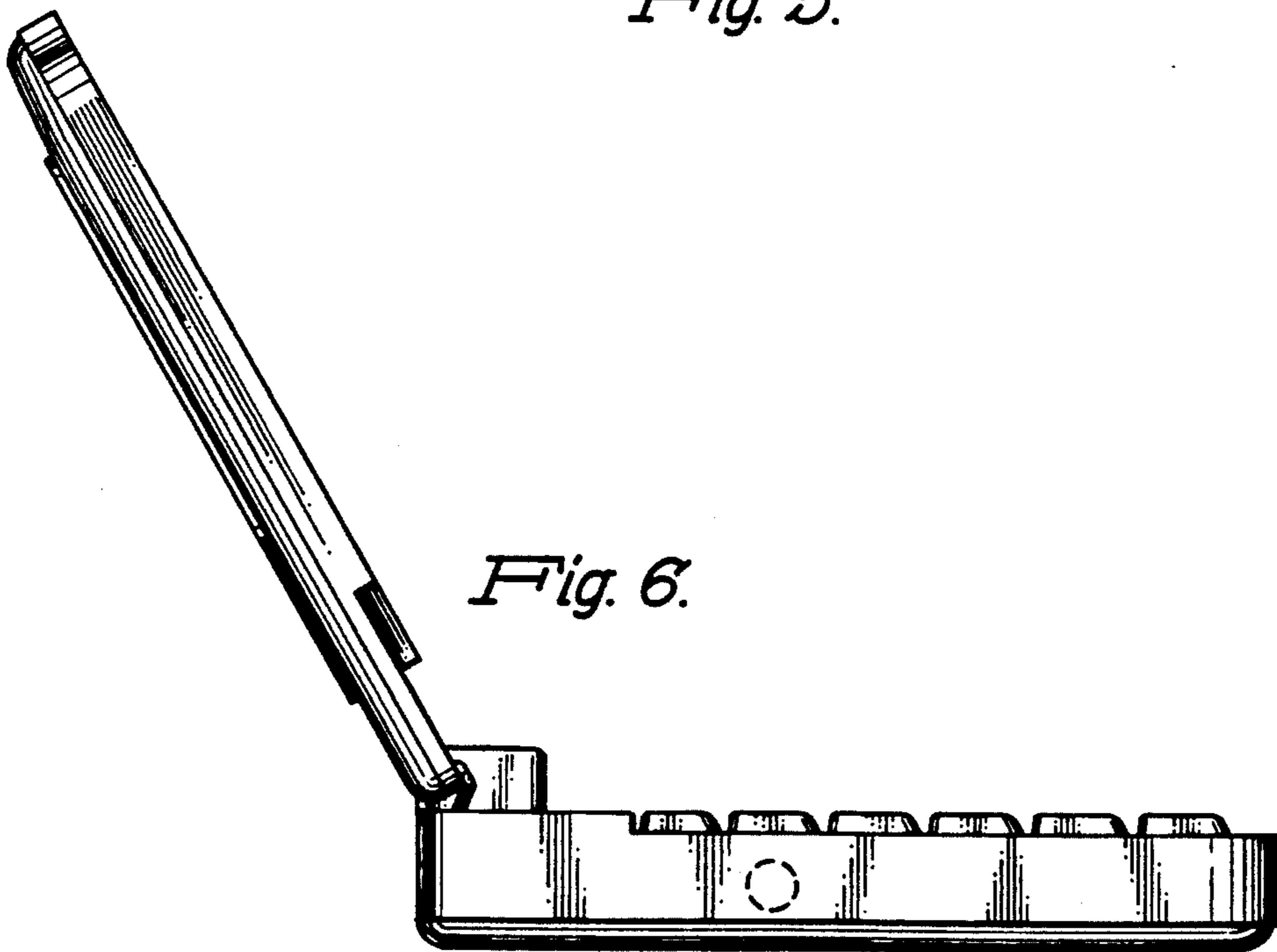


Fig. 6.