



US00D337094S

# United States Patent [19]

[11] Patent Number: **Des. 337,094**

**Bernstein**

[45] Date of Patent: **\*\* Jul. 6, 1993**

[54] **BOAT WINDOW EDGE COVER**

[57] **CLAIM**

[76] Inventor: **Jack W. Bernstein, 5926 Whitman Rd., Columbus, Ohio 43213**

The ornamental design of a boat window edge cover, as shown and described.

[\*\*] Term: **14 Years**

### DESCRIPTION

[21] Appl. No.: **810,799**

FIG. 1 is a perspective view of a boat window edge cover showing my new design;

[22] Filed: **Dec. 19, 1991**

FIG. 2 is side elevational view thereof with a window edge shown in phantom, the opposite side being a mirror image thereof;

[52] U.S. Cl. .... **D12/317; D25/119**

FIG. 3 is an end elevational view thereof, the other end being a mirror image thereof;

[58] Field of Search ..... **D12/317, 318; 114/364, 114/361; D25/119**

FIG. 4 is a rear elevational view thereof;

FIG. 5 is a sectional view thereof taken along line 5—5 of FIG. 2;

### [56] References Cited

#### U.S. PATENT DOCUMENTS

1,836,911	12/1931	Fitch	.....	D25/119
3,021,535	2/1962	Dorst	.....	114/361
3,093,844	6/1963	Brock et al.	.....	114/364
3,093,845	6/1963	Brock et al.	.....	114/361
4,993,351	2/1991	Zirkelbach et al.	.....	114/361

FIG. 6 is a sectional view of an alternative embodiment thereof;

FIG. 7 is a sectional view of another alternative embodiment thereof;

FIG. 8 is a sectional view of another alternative embodiment thereof;

FIG. 9 is a sectional view of another alternative embodiment thereof;

FIG. 10 is a sectional view of another alternative embodiment thereof; and,

FIG. 11 is a sectional view of another alternative embodiment thereof.

*Primary Examiner—Kay H. Chin*  
*Attorney, Agent, or Firm—Sidney W. Millard*

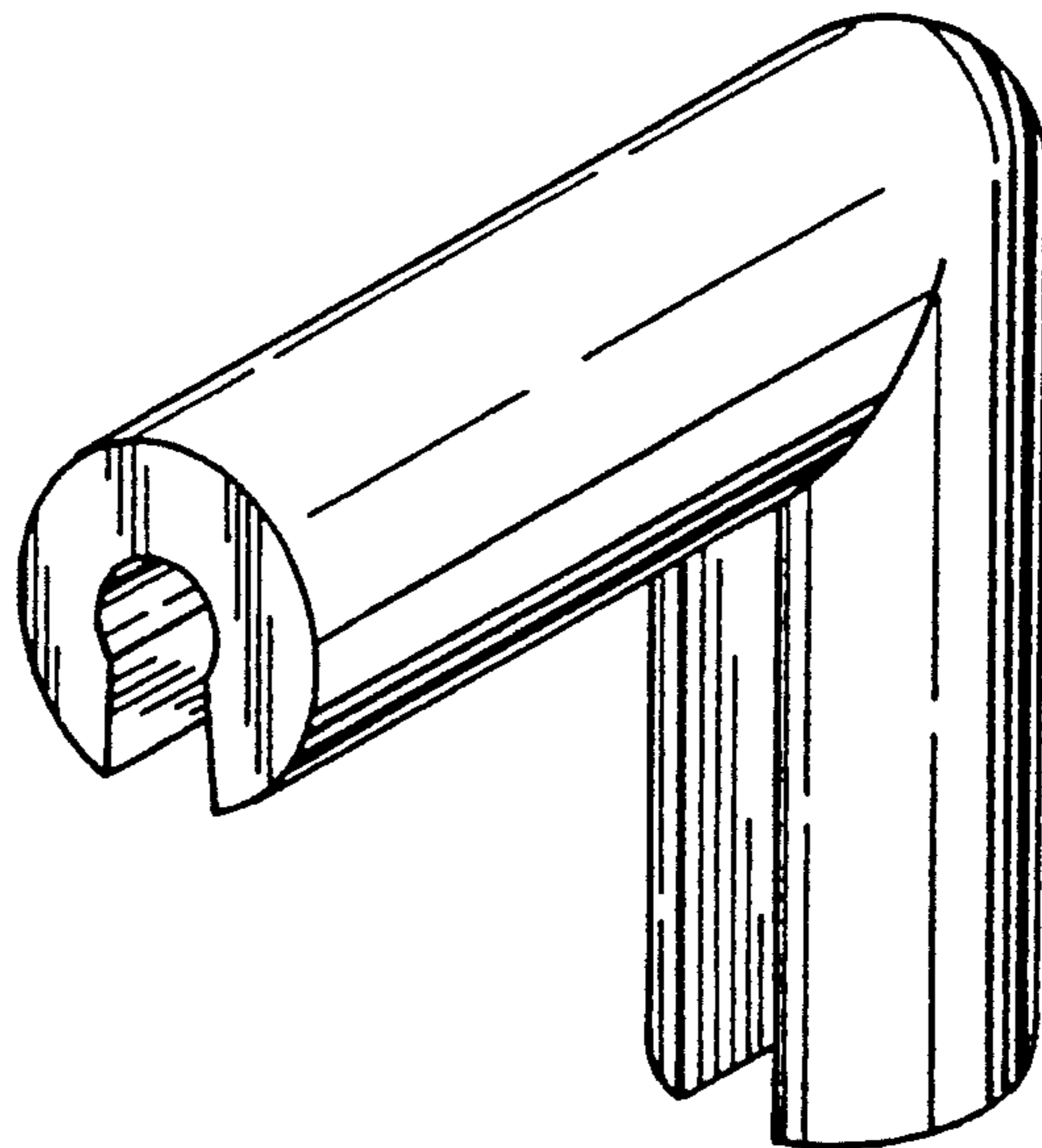


FIG. 1

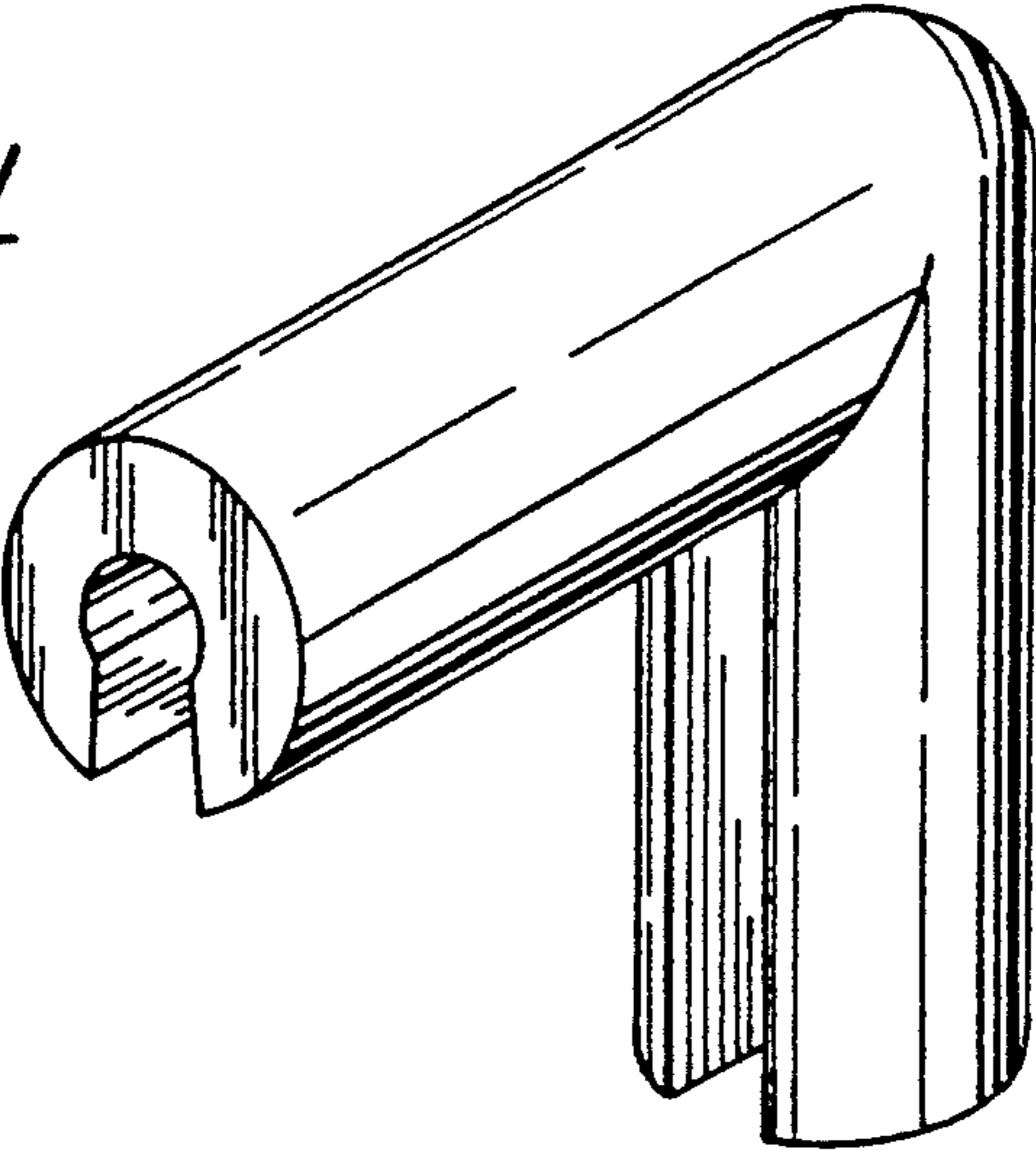


FIG. 2

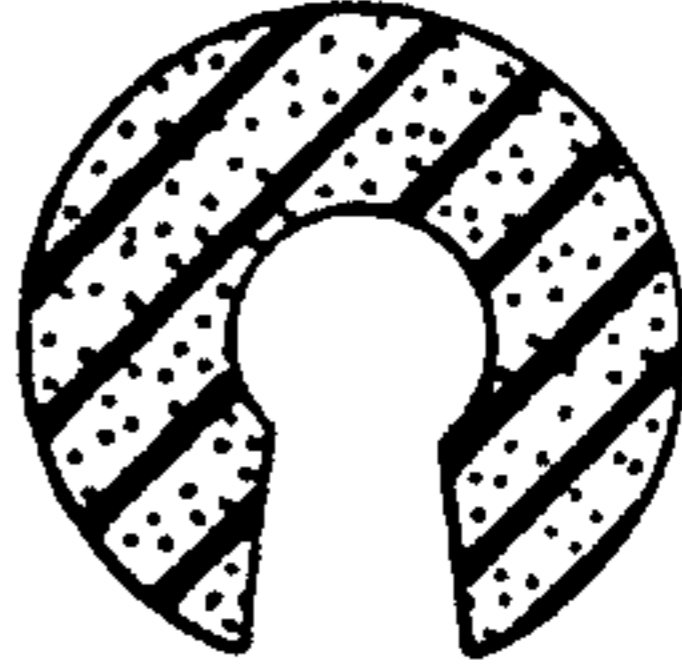
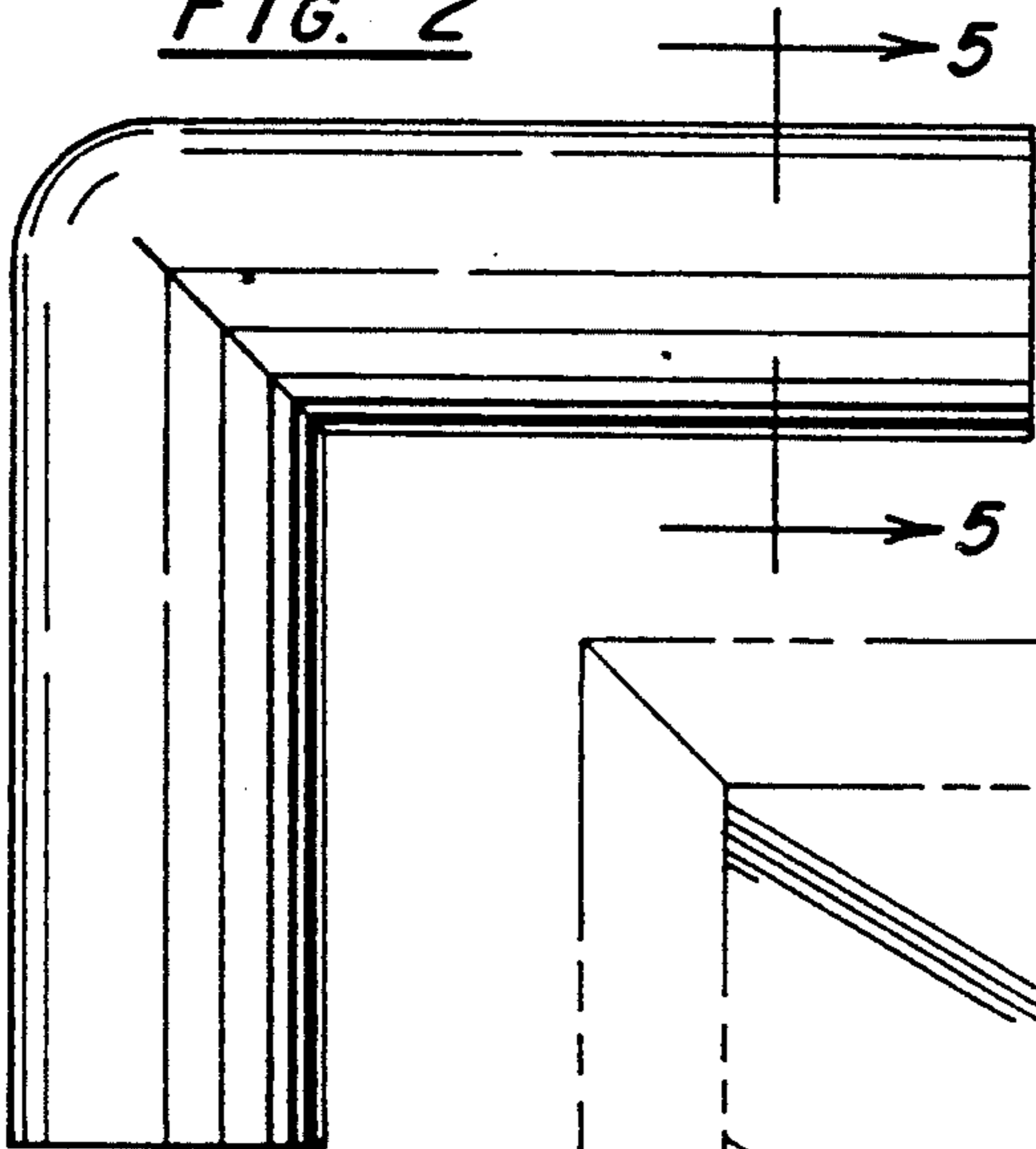


FIG. 5

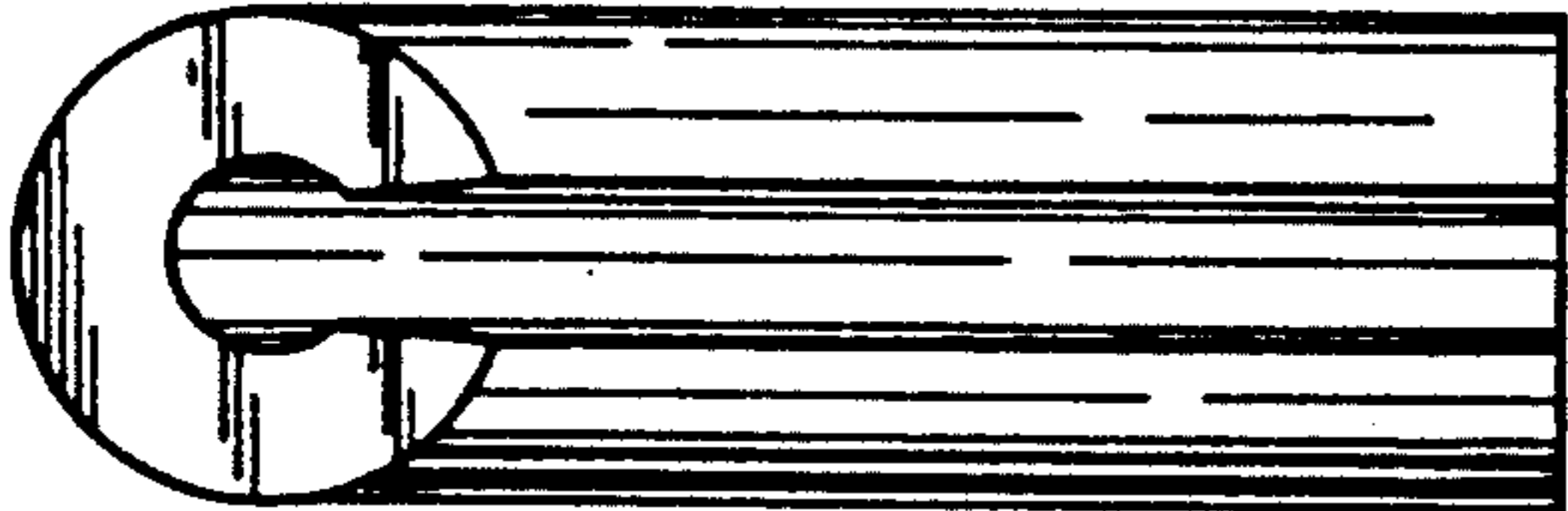
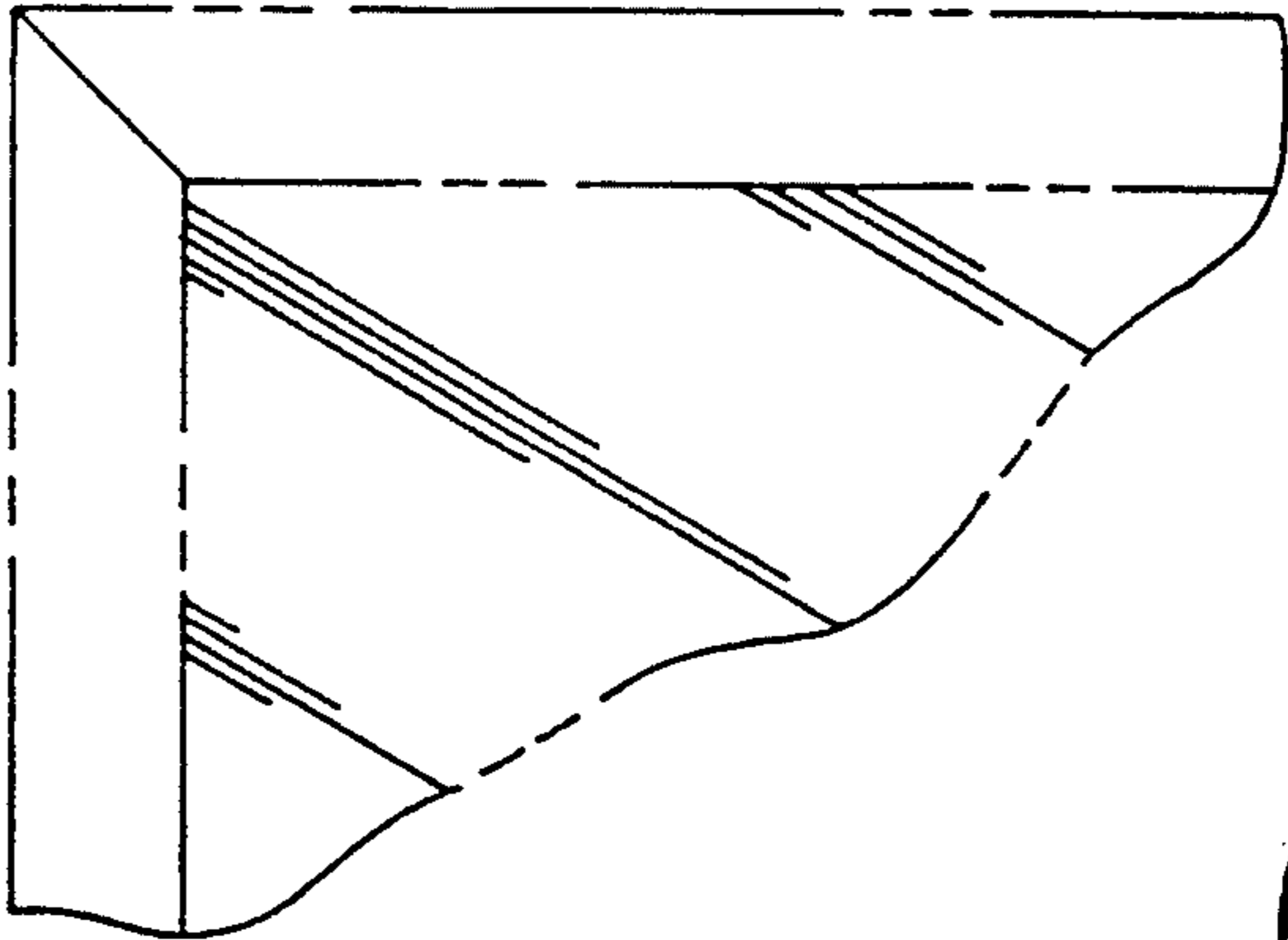
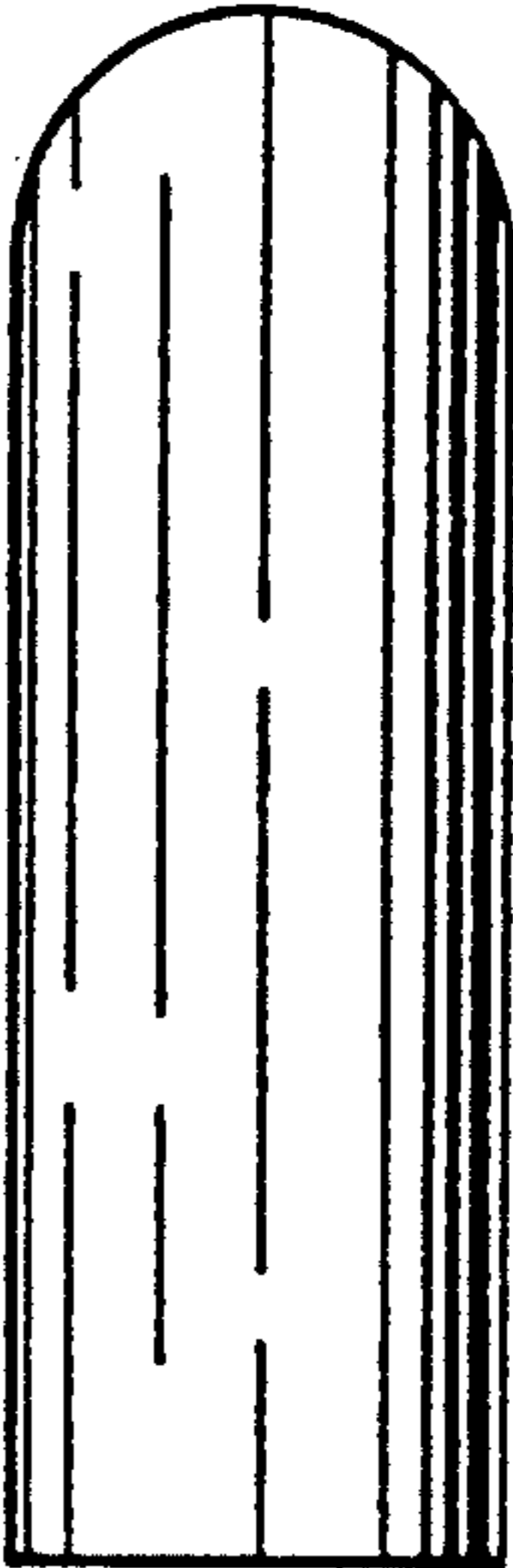


FIG. 3

FIG. 4



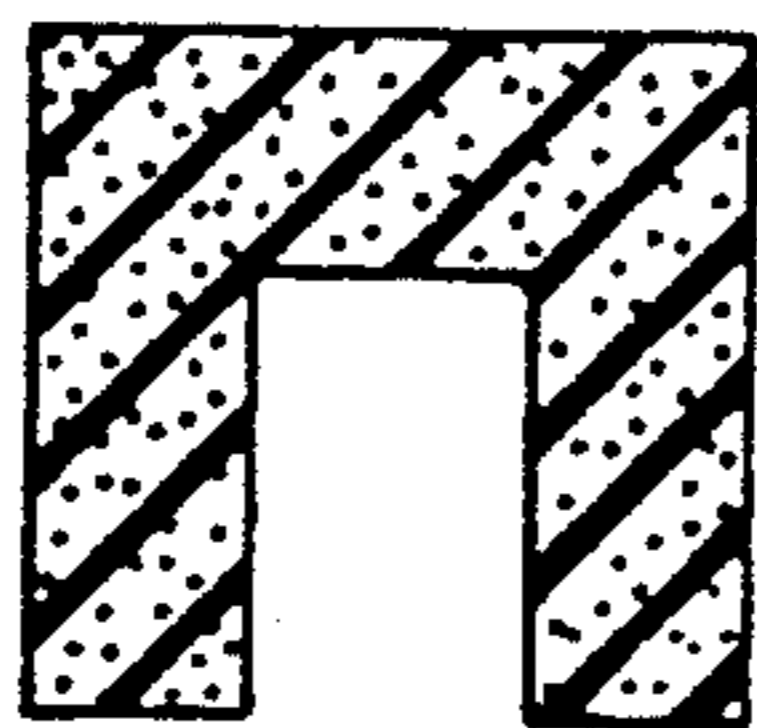


FIG. 6

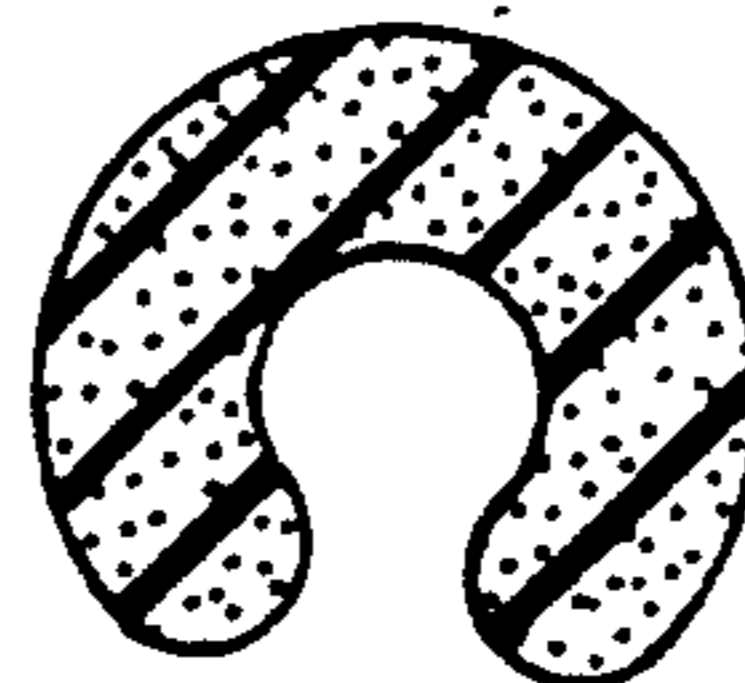


FIG. 7

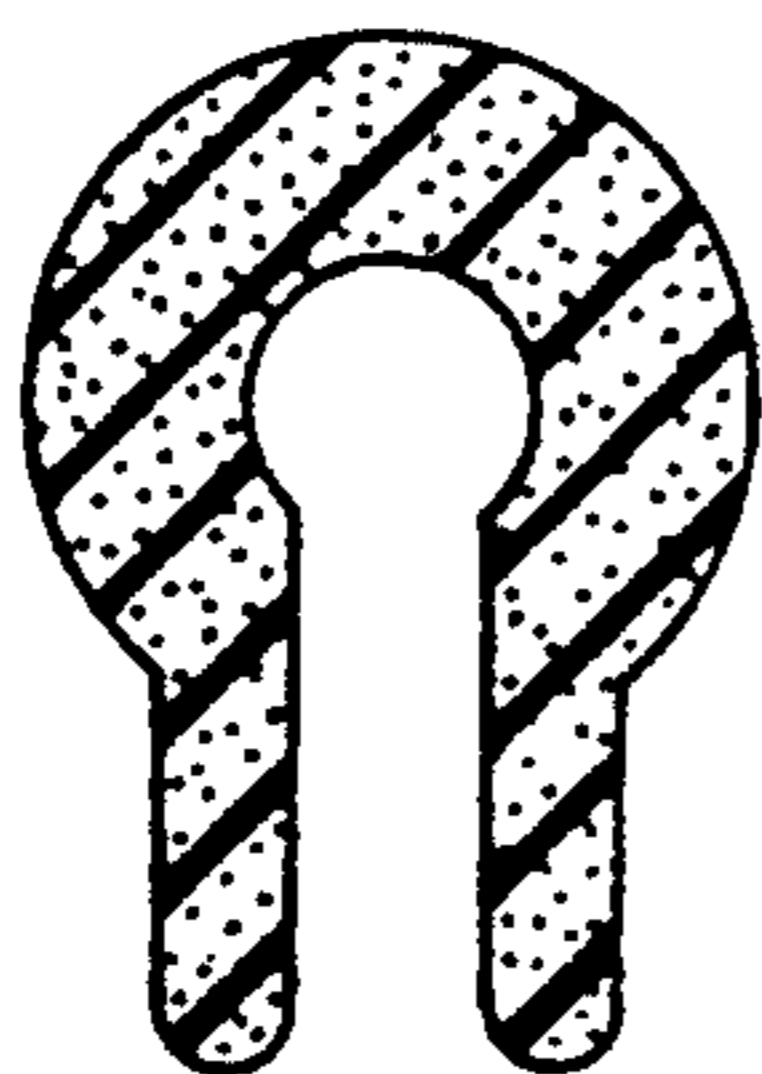


FIG. 8

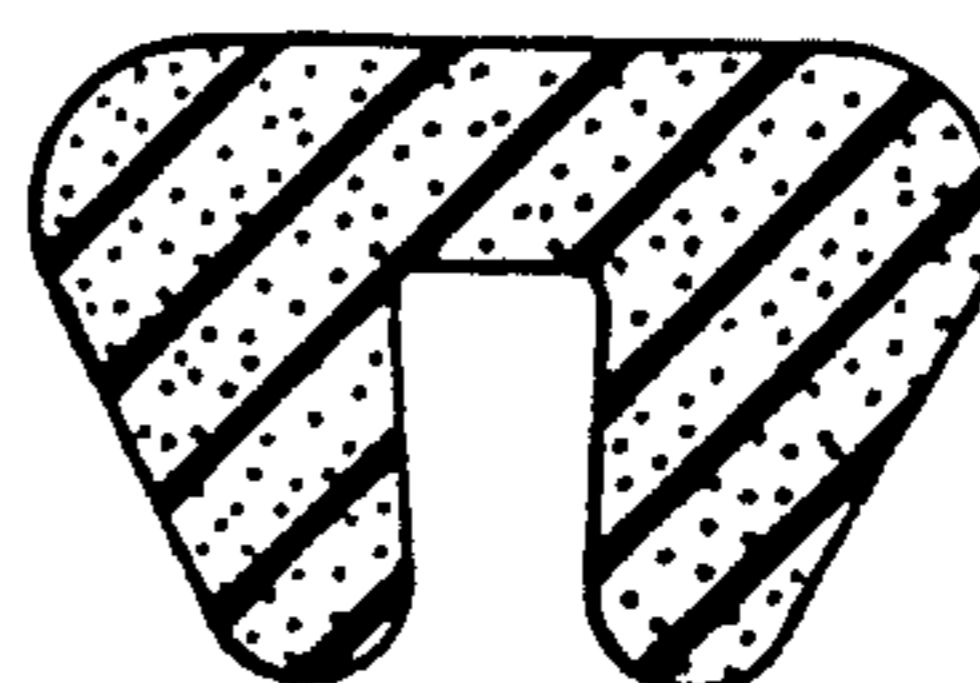


FIG. 9

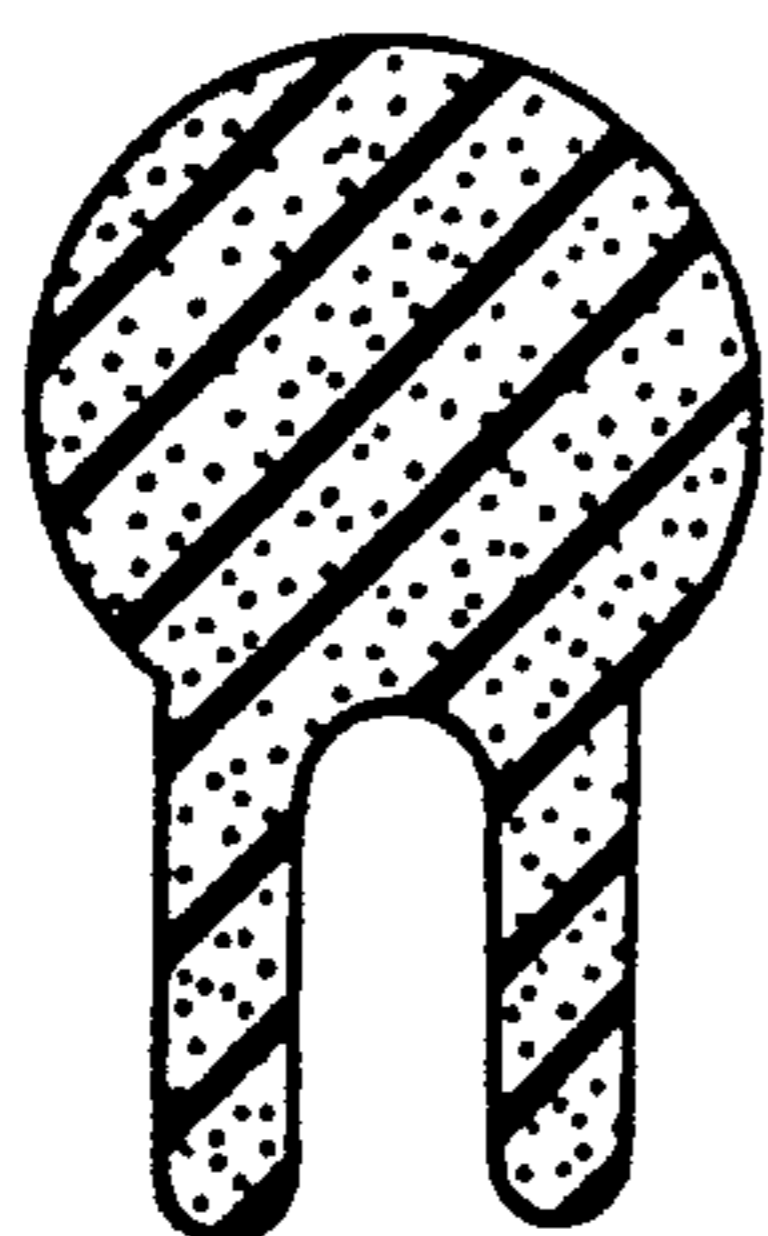


FIG. 10

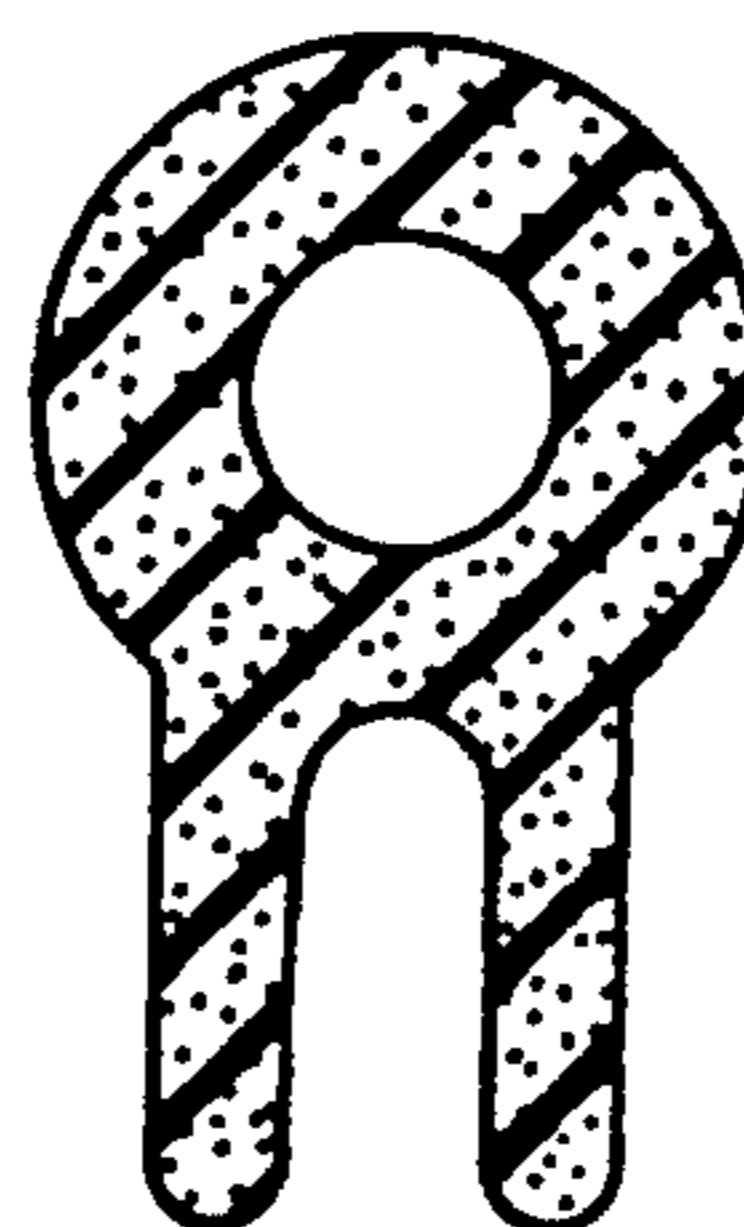


FIG. 11