



US00D337092S

United States Patent [19]

[11] Patent Number: Des. 337,092

Steinrock et al.

[45] Date of Patent: ** Jul. 6, 1993

[54] SUN VISOR

[57] CLAIM

[76] Inventors: Larry Steinrock, Louisville, Ky.;
Gerald F. Mitchell; Susan C. Mitchell, both of 14233 Harbour Pl., Prospect, Ky. 40059

The ornamental design for a sun visor, as shown and described.

[**] Term: 14 Years

DESCRIPTION

[21] Appl. No.: 733,244

FIG. 1 is a front perspective view of a sun visor showing our new design;

[22] Filed: Jul. 22, 1991

FIG. 2 is a top plan view thereof;

Related U.S. Application Data

[63] Continuation-in-part of Ser. No. 238,884, Aug. 31, 1989, Pat. No. D. 318,455.

[52] U.S. Cl. D12/318; D12/317

FIG. 3 is a front elevational view thereof;

[58] Field of Search D12/317, 318, 314, 300; 114/361, 364

FIG. 4 is left side elevational view thereof;

FIG. 5 is a bottom plan view thereof;

FIG. 6 is rear elevational view thereof;

FIG. 7 is a front perspective view of a second embodiment of the sun visor;

FIG. 8 is a front elevational view of FIG. 7;

FIG. 9 is a left side elevational view of FIG. 7;

FIG. 10 is a top plan view of FIG. 7;

FIG. 11 is a rear elevational view of FIG. 7;

FIG. 12 is a bottom plan view of FIG. 7;

FIG. 13 is a front perspective view of a third embodiment of the sun visor;

FIG. 14 is a front elevational view of FIG. 13;

FIG. 15 is a top plan view of FIG. 13;

FIG. 16 is a rear elevational view of FIG. 13;

FIG. 17 is a bottom plan view of FIG. 13; and,

FIG. 18 is a right side elevational view of FIG. 13.

The broken lines shown in FIGS. 1,2,5,6,7,10,11,12,13, and 15 are for illustrative purposes only.

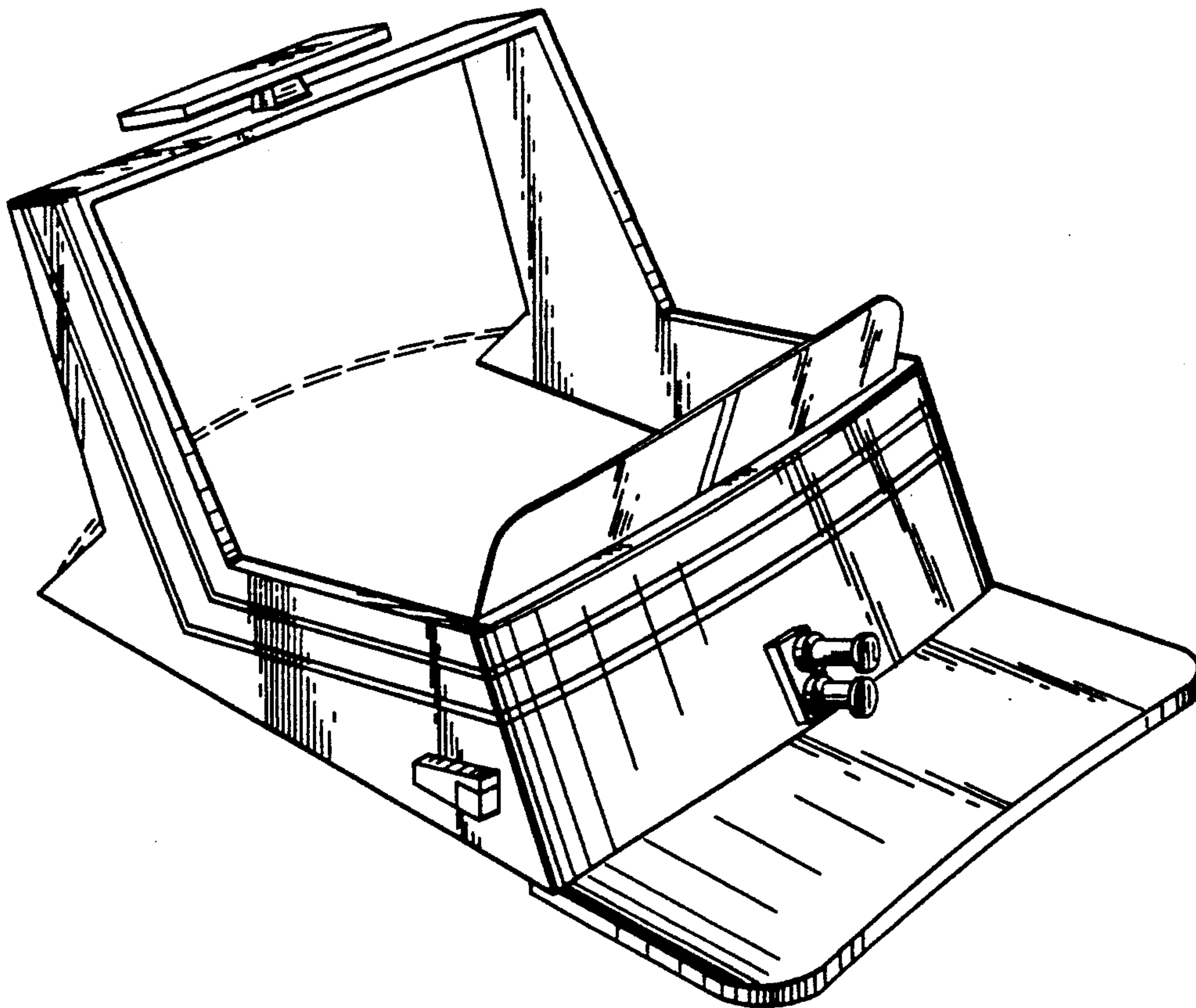
[56] References Cited

U.S. PATENT DOCUMENTS

D. 246,234	11/1987	Whitley et al.	D12/314
2,102,123	12/1937	Leveau	114/361
3,093,846	6/1963	Reid	114/364
3,810,267	5/1974	Fussell, Jr. et al.	114/361
3,894,305	7/1975	Krenzler	114/361

Primary Examiner—Kay H. Chin

Attorney, Agent, or Firm—Nixon & Vanderhye



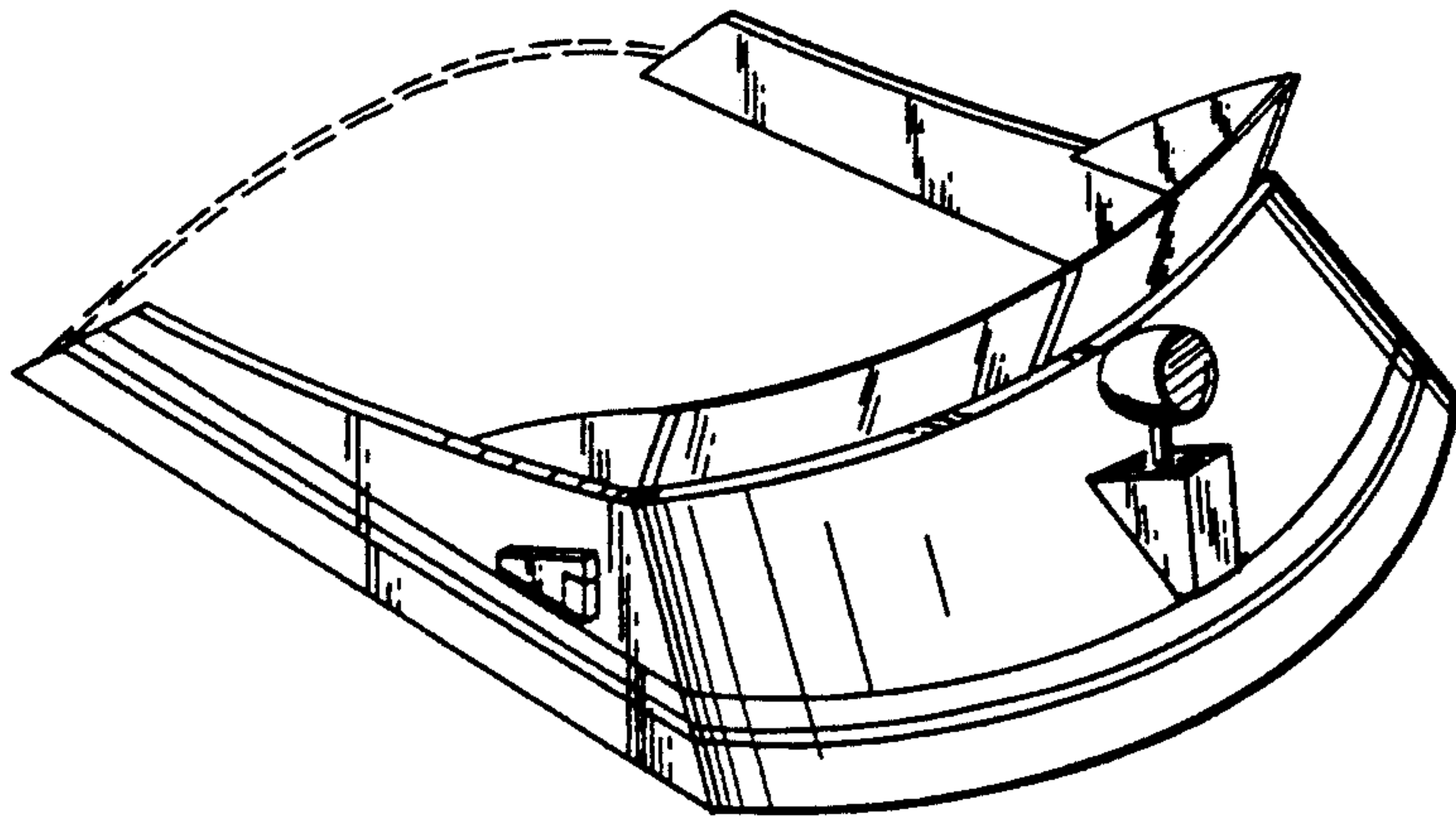


FIG. 1

FIG. 2

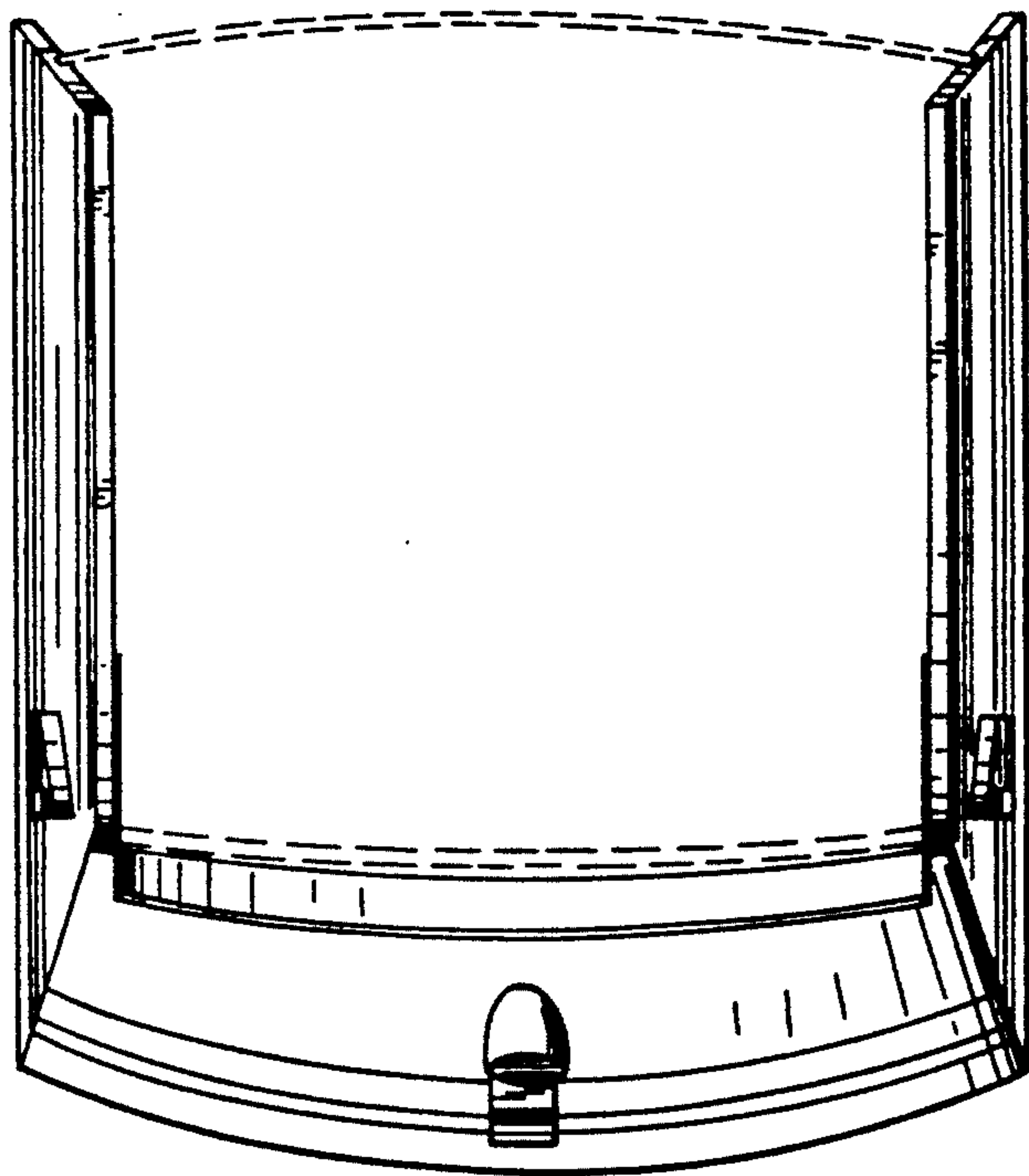
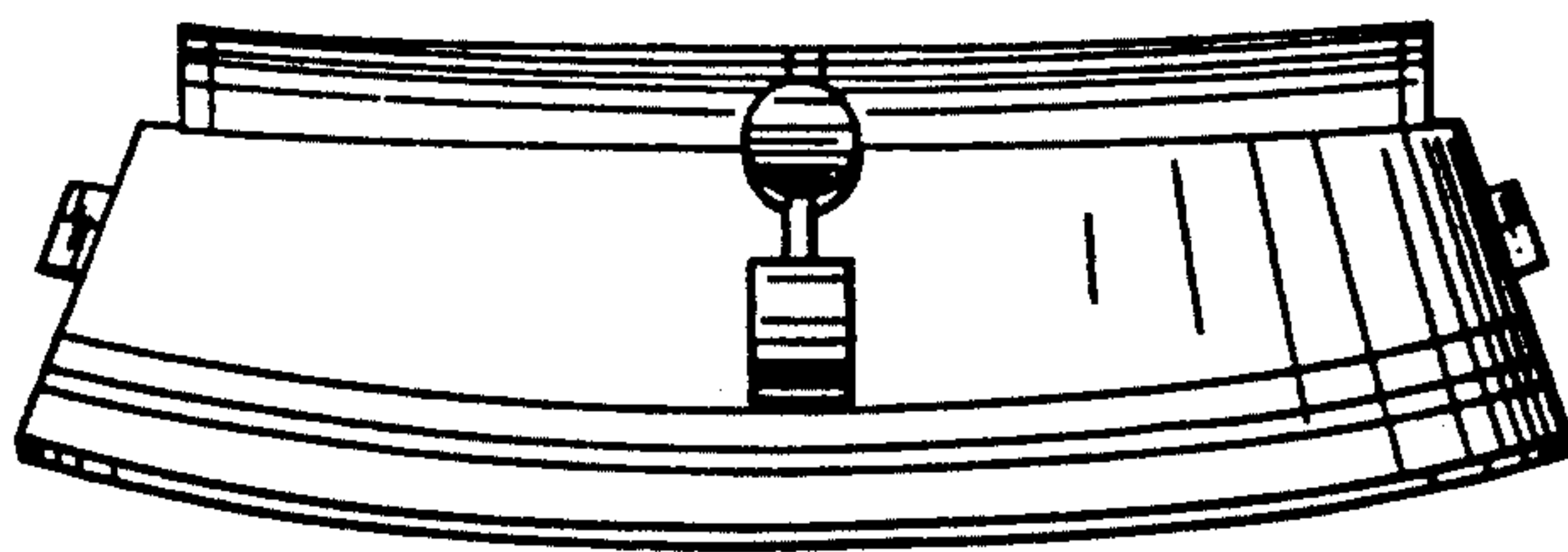


FIG. 3



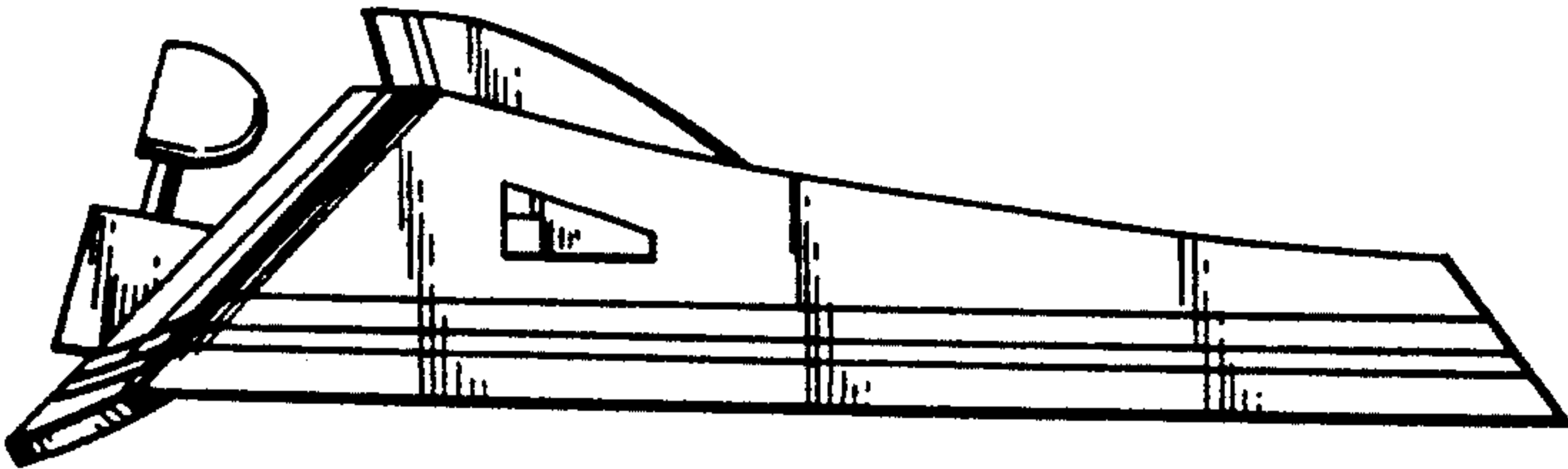


FIG. 4

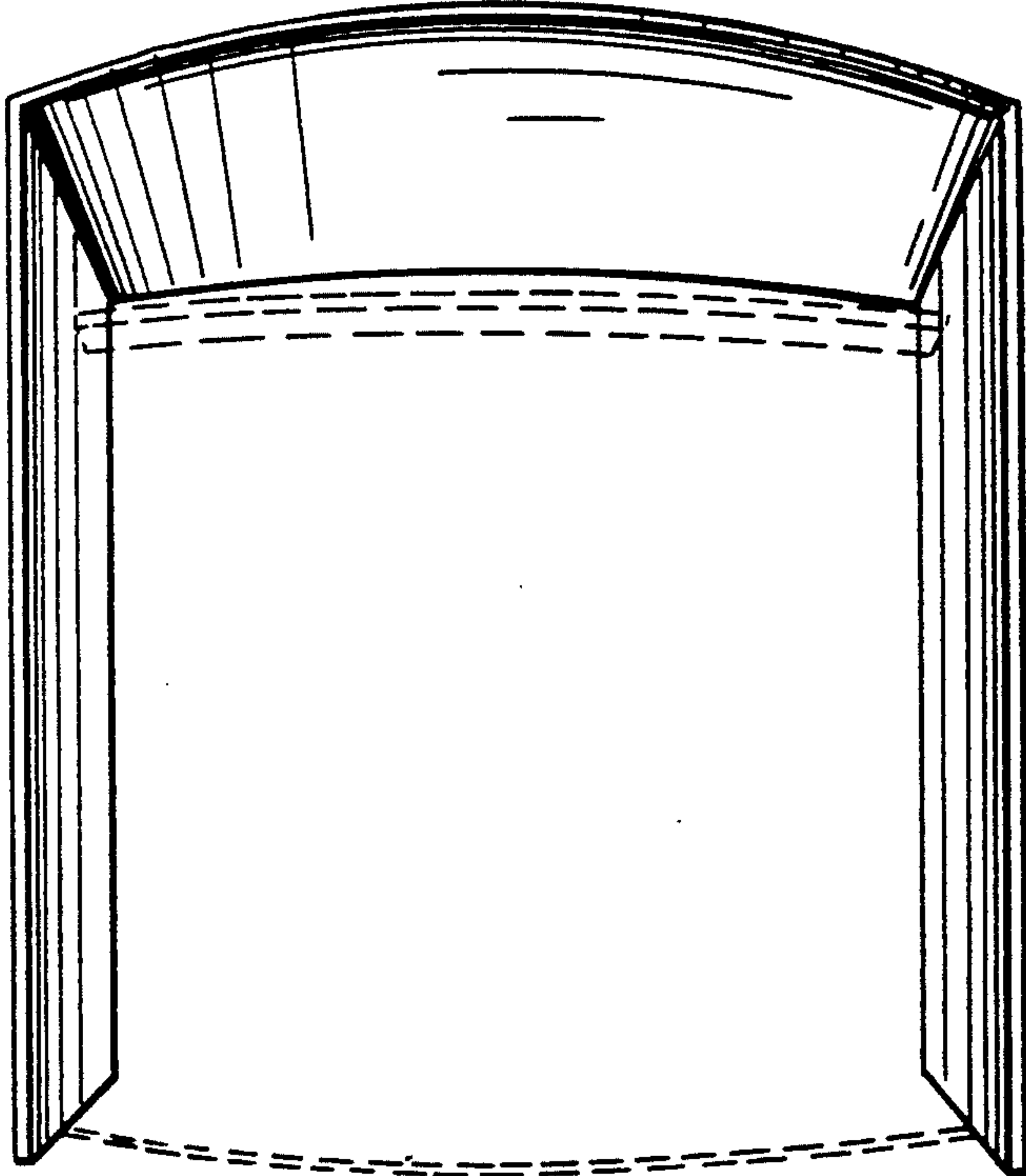


FIG. 5

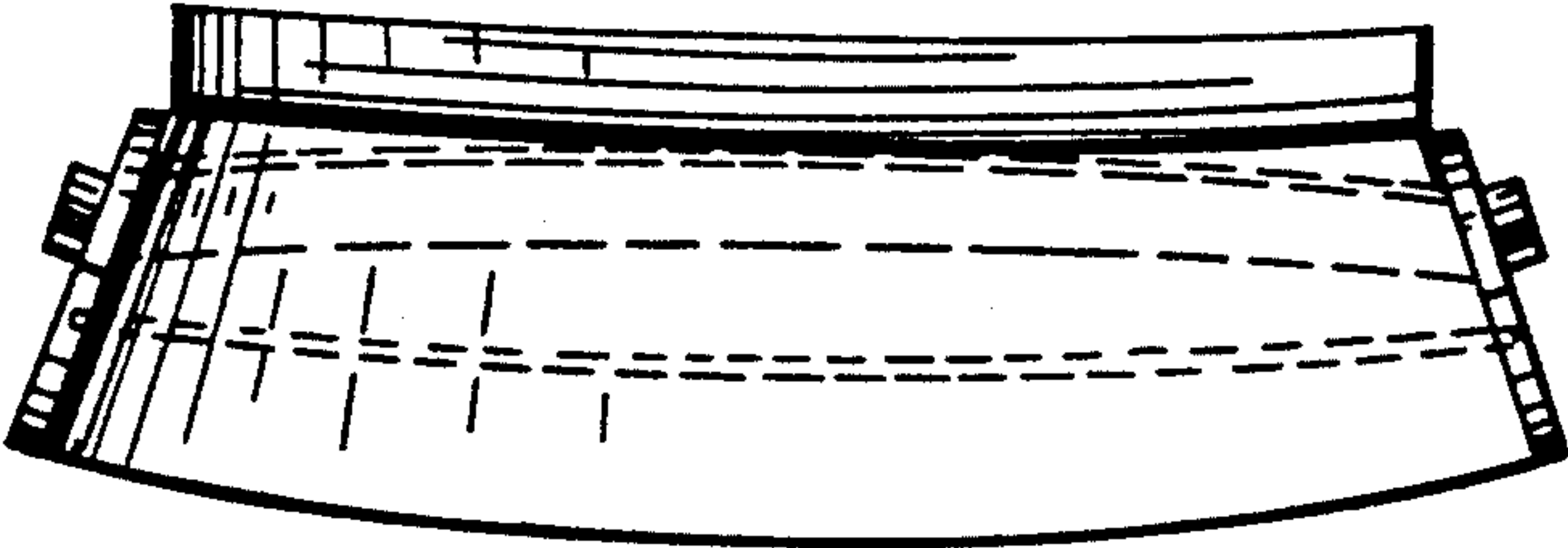


FIG. 6

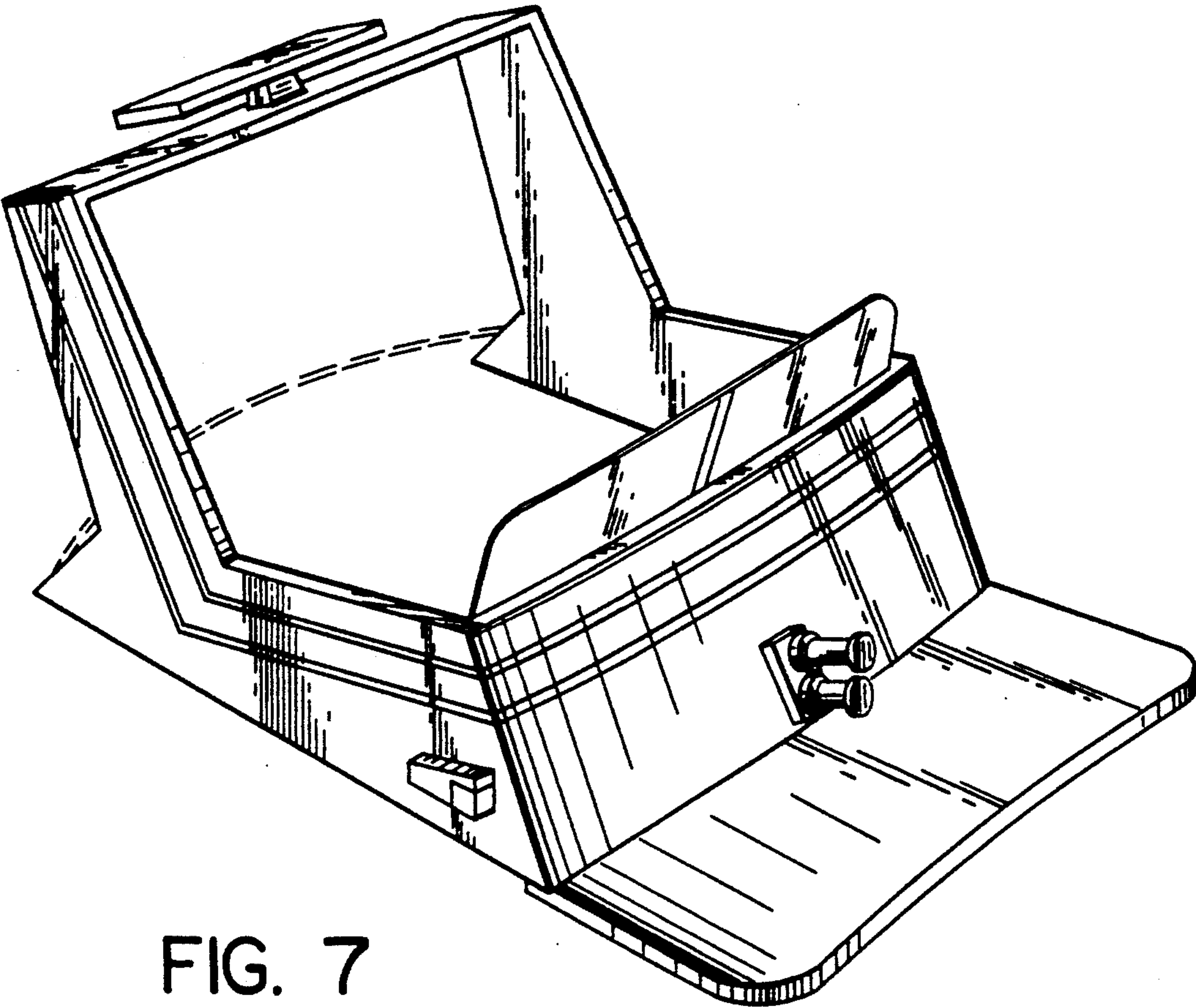


FIG. 7

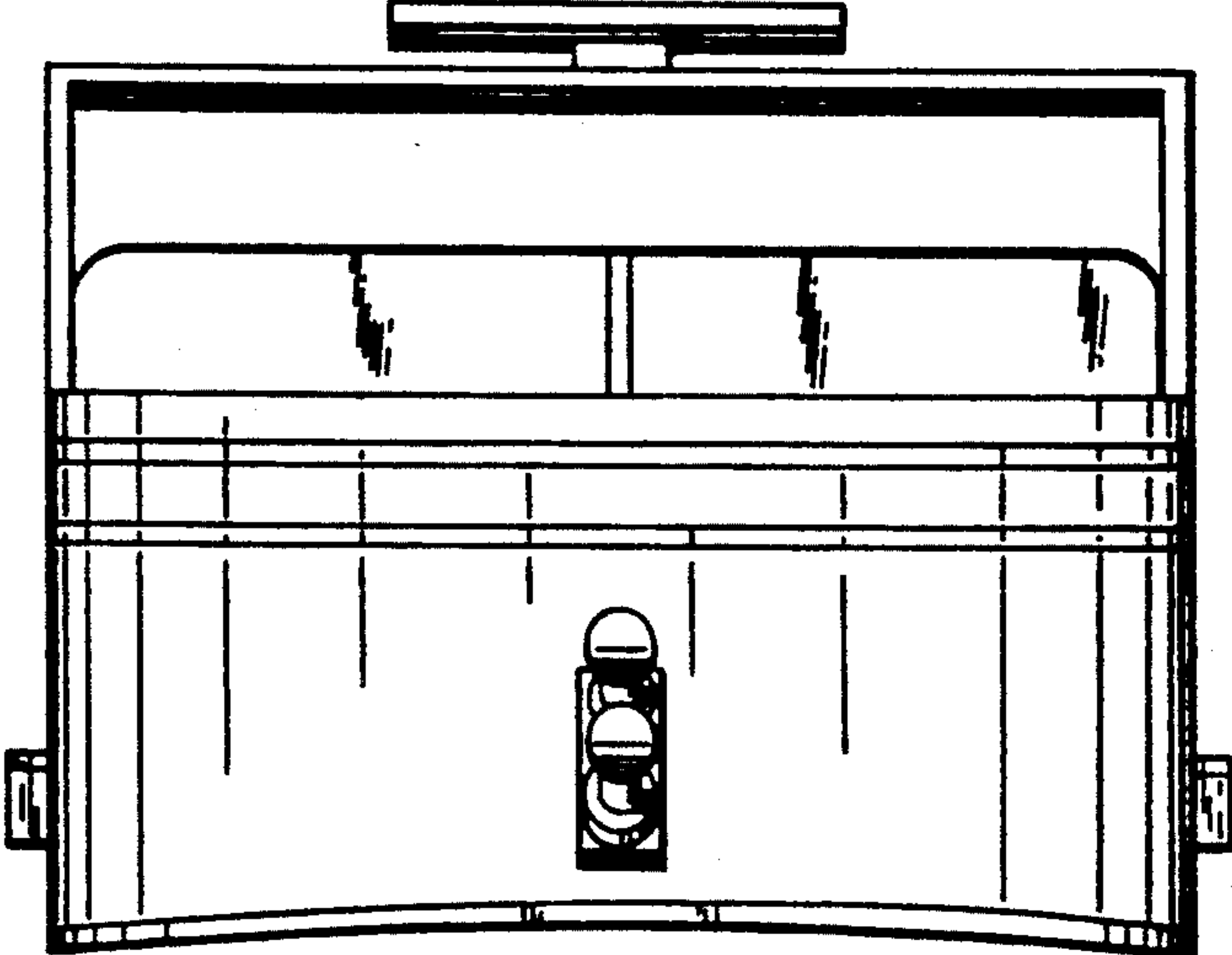


FIG. 8

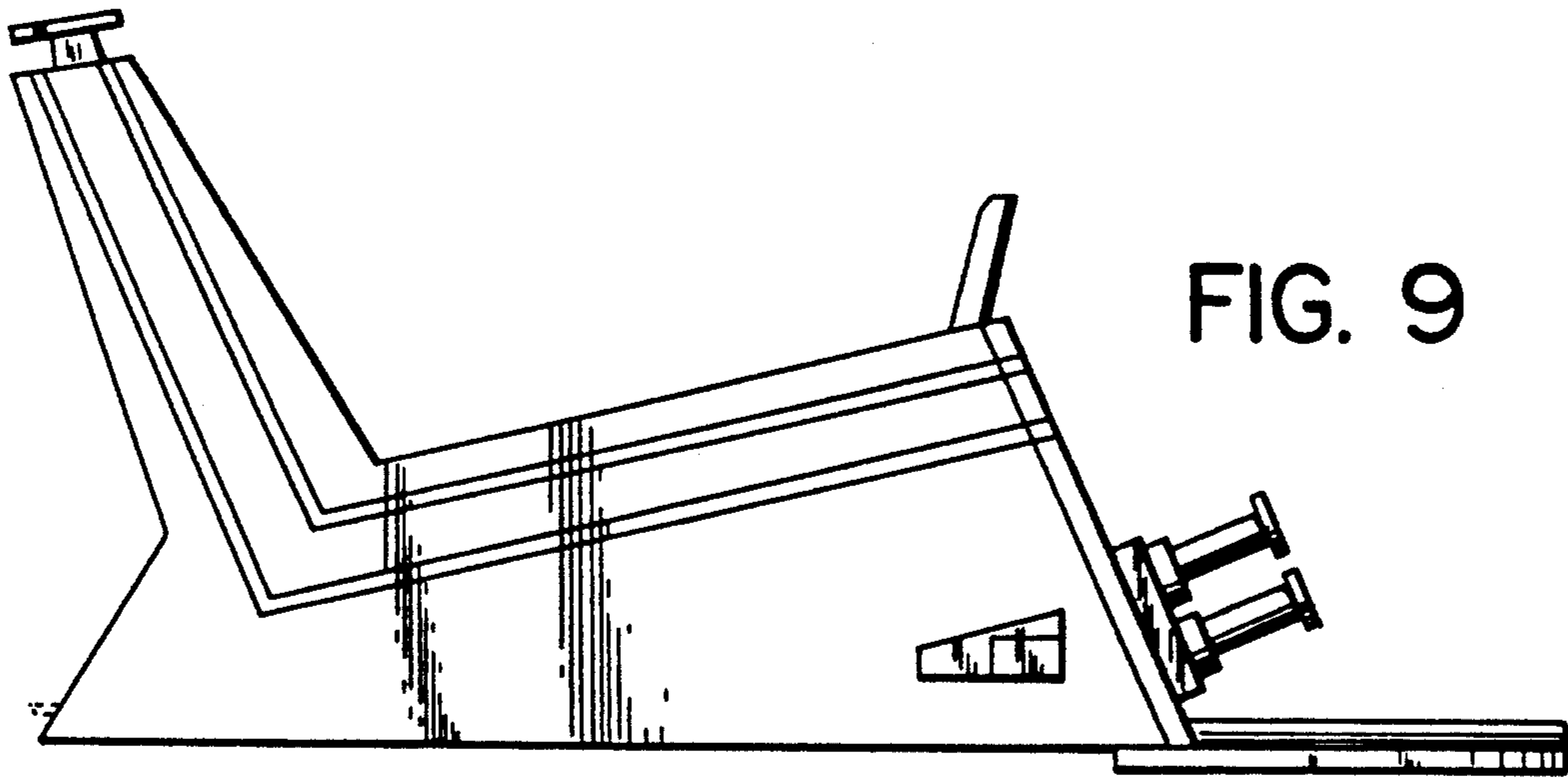


FIG. 9

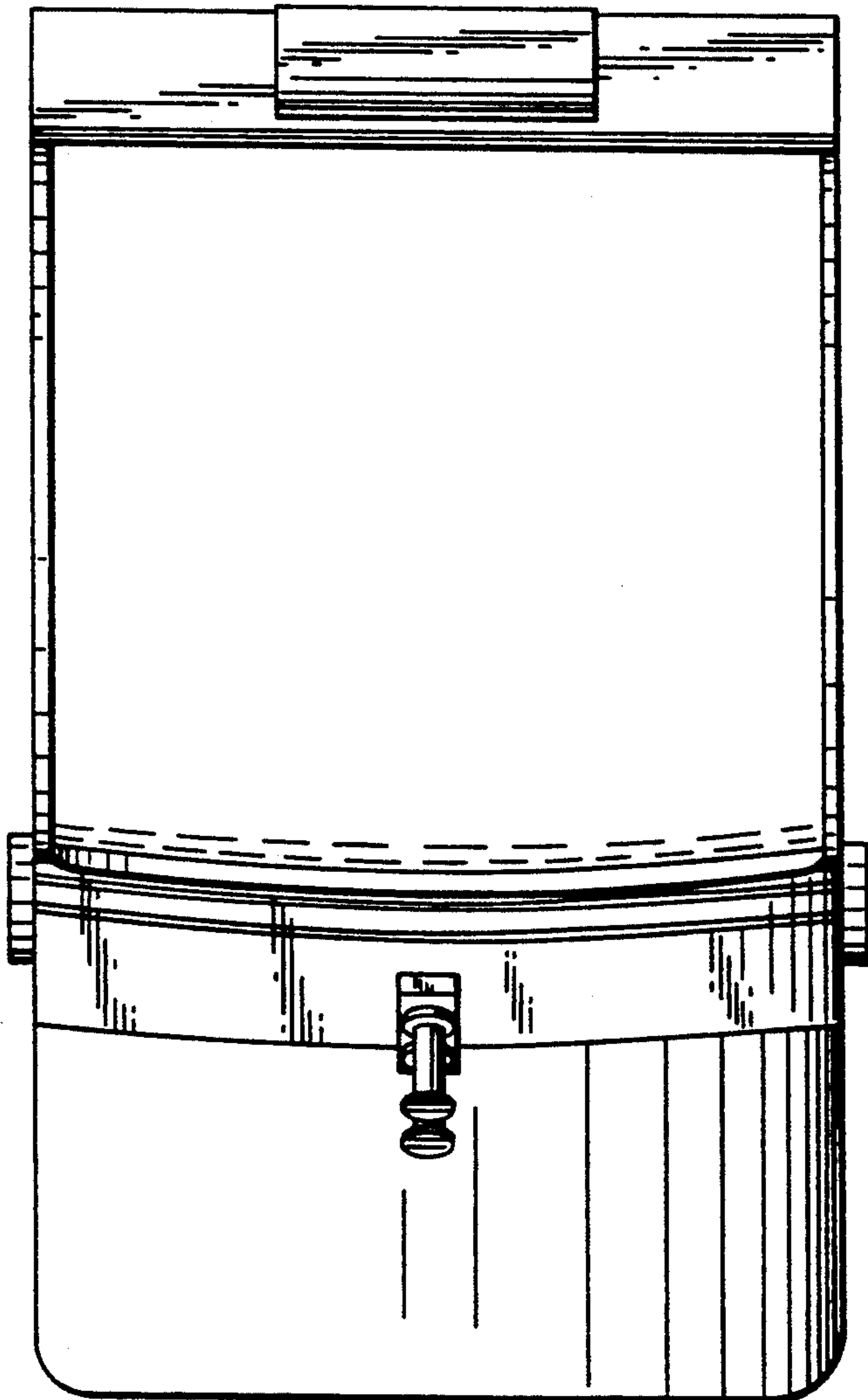


FIG. 10

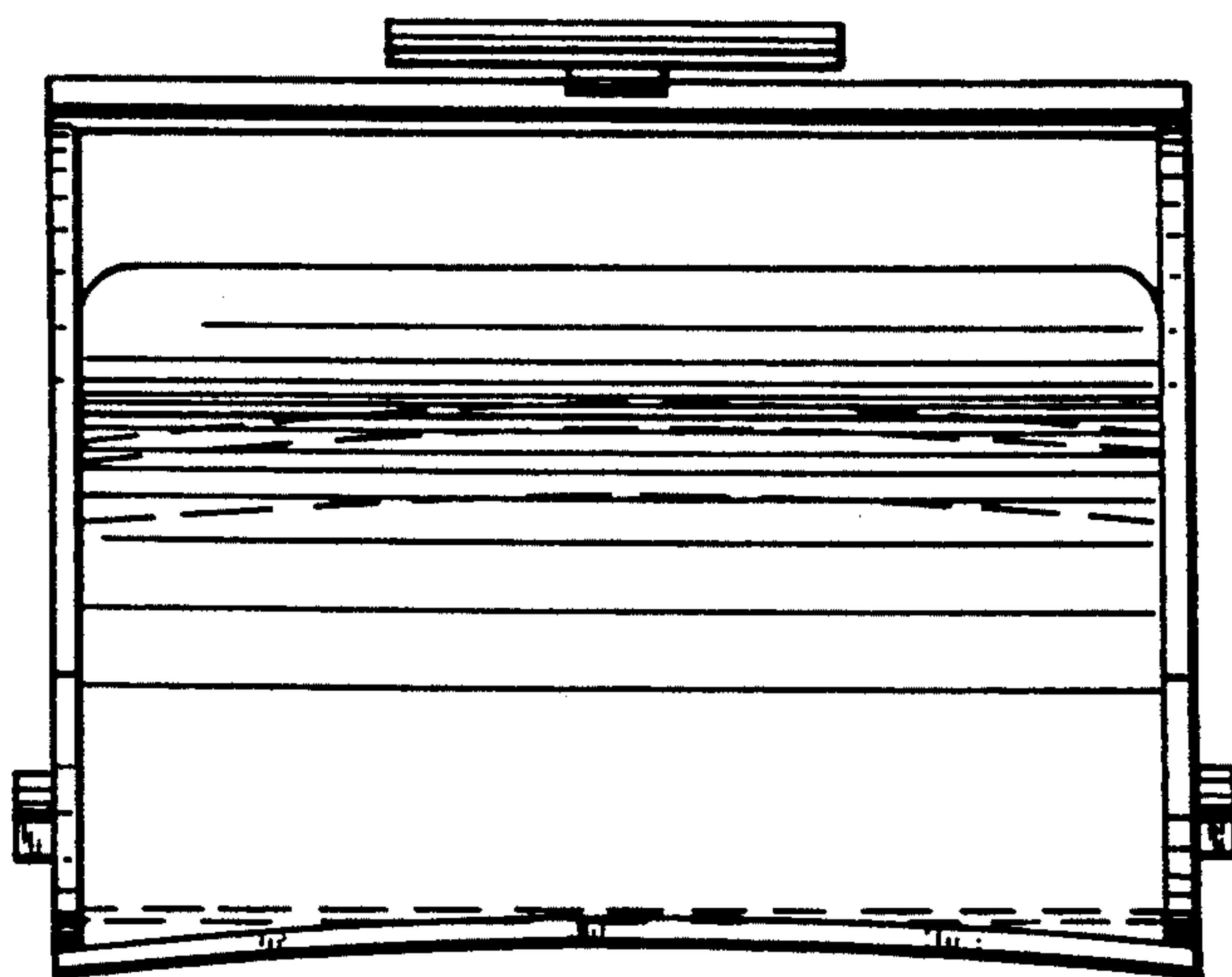


FIG. 11

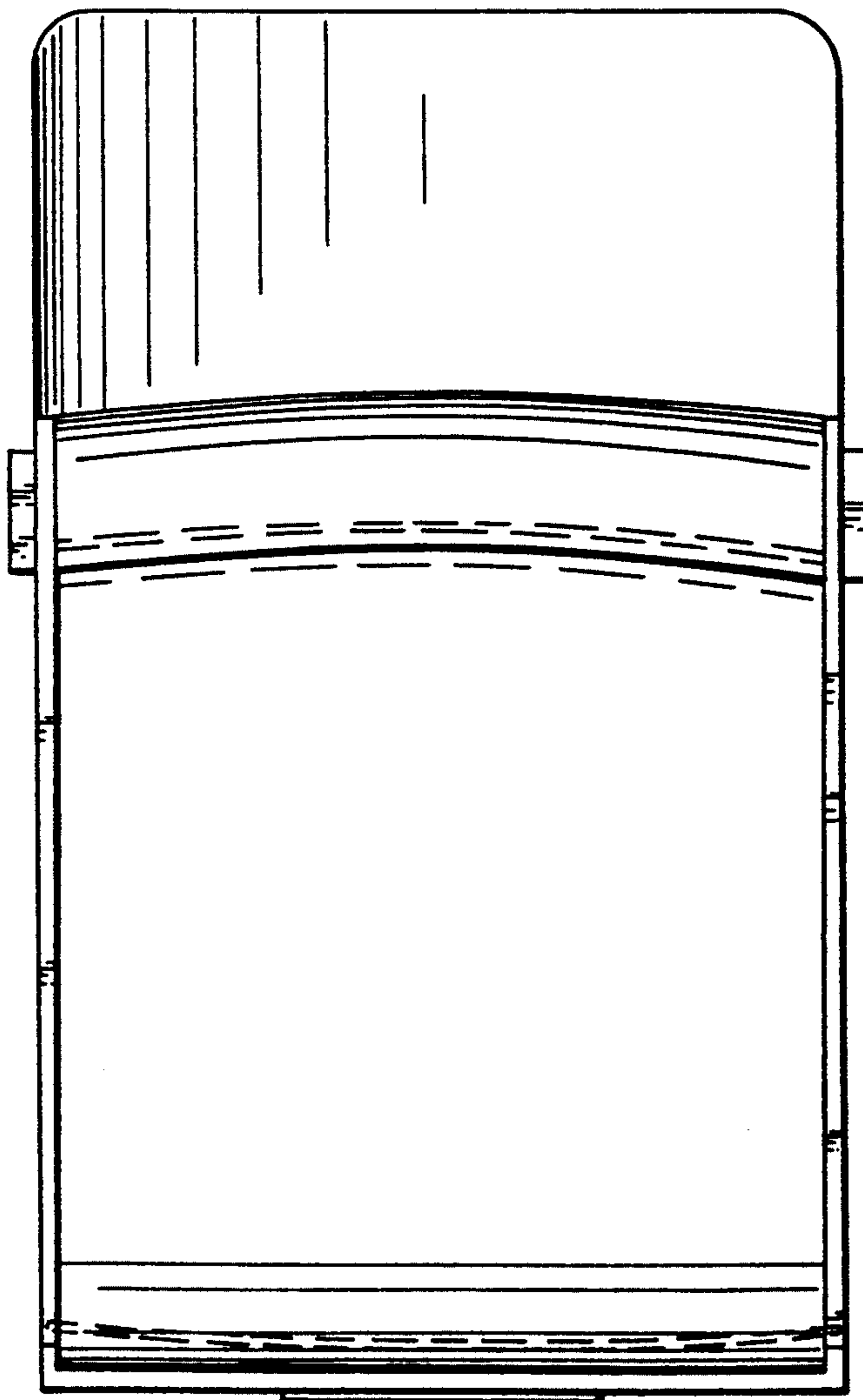


FIG. 12

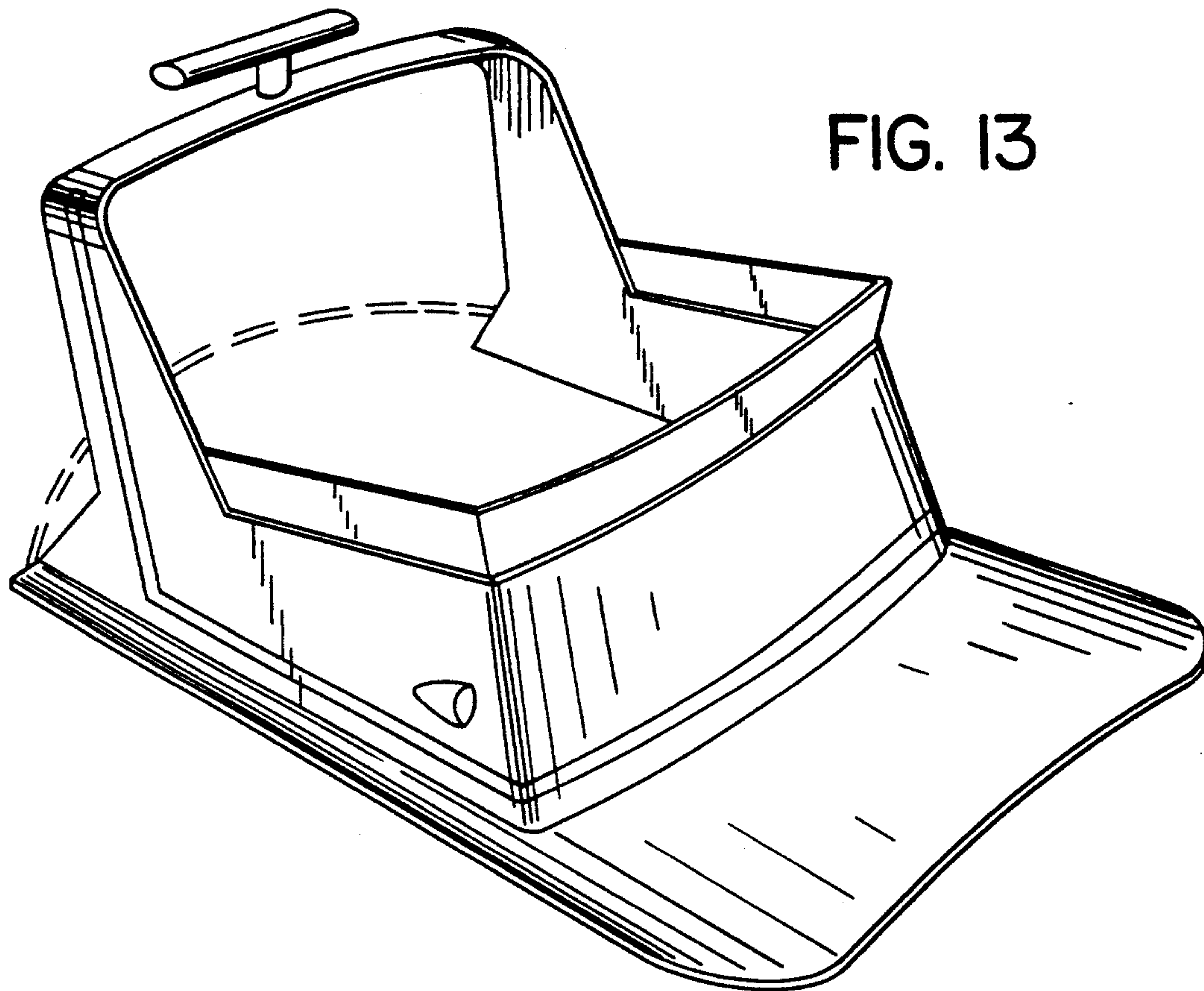


FIG. 13

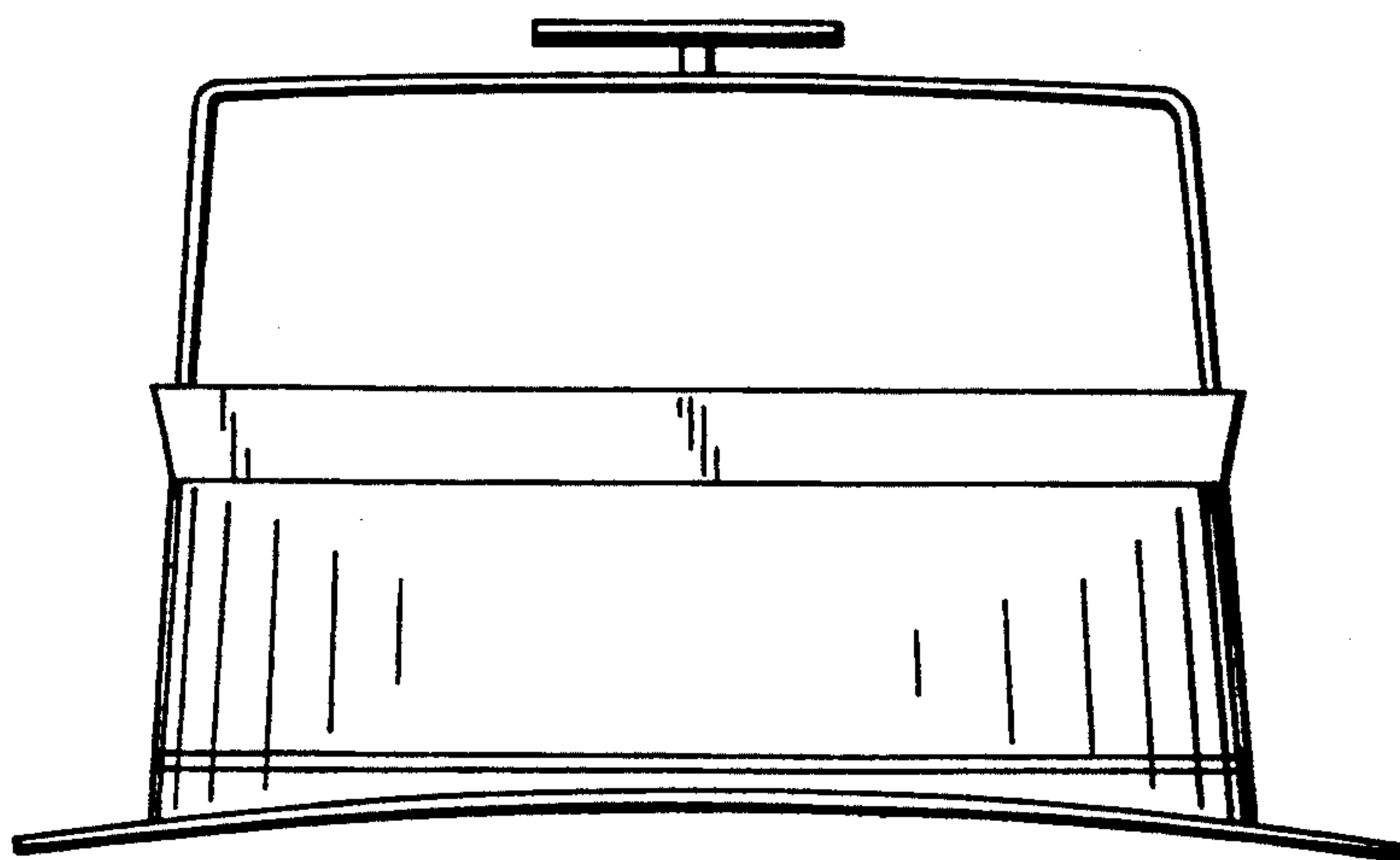


FIG. 14

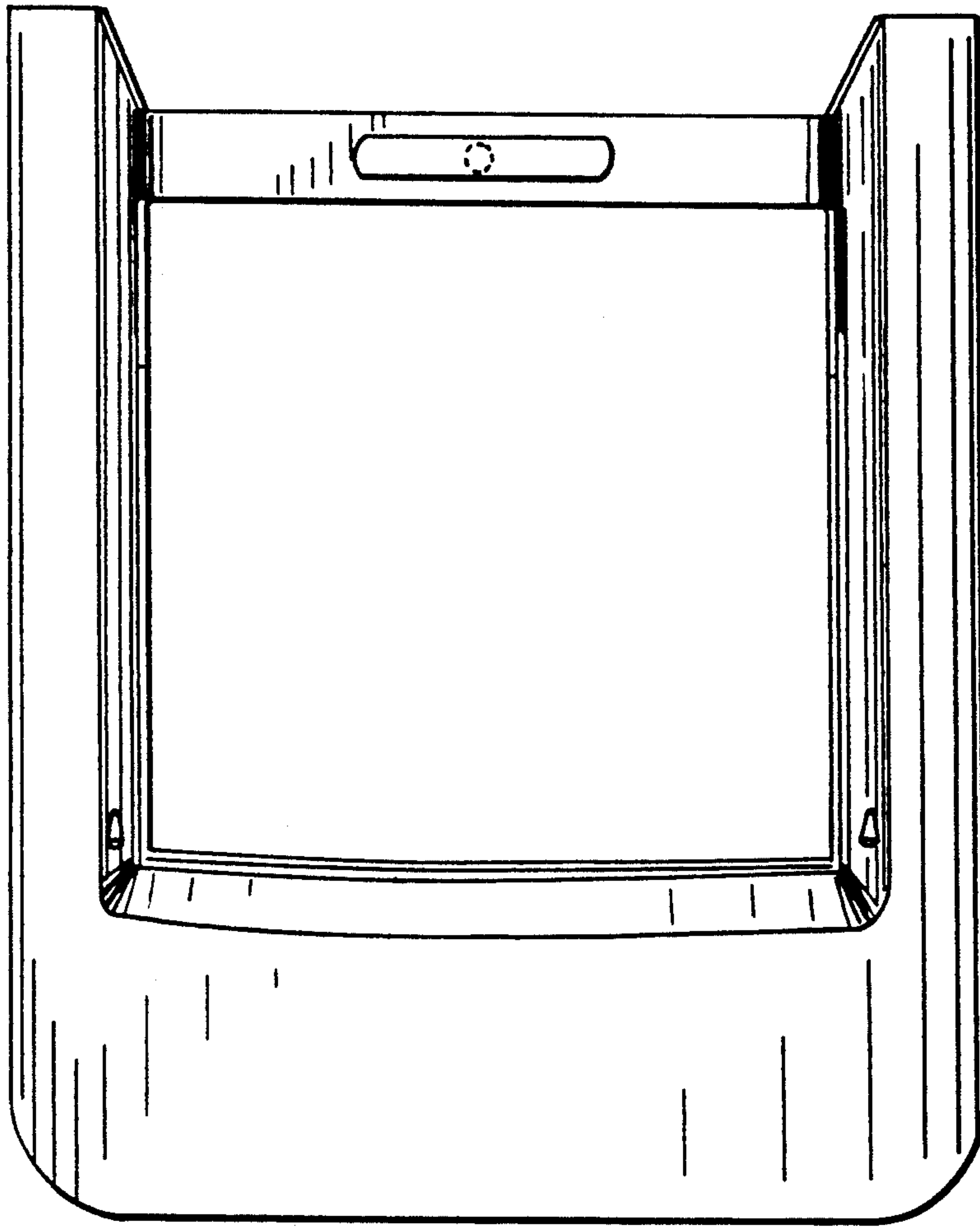


FIG. 15

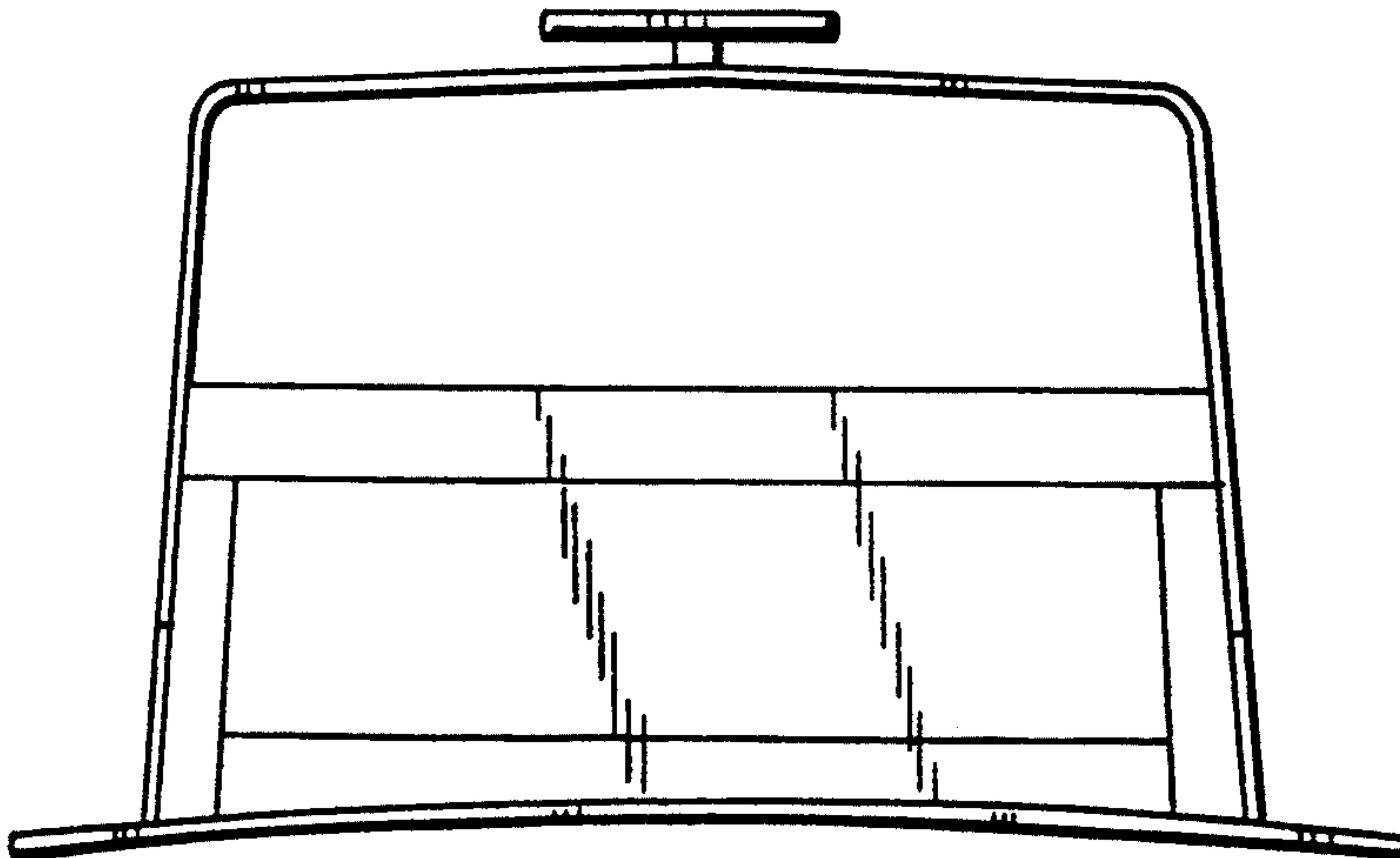


FIG. 16

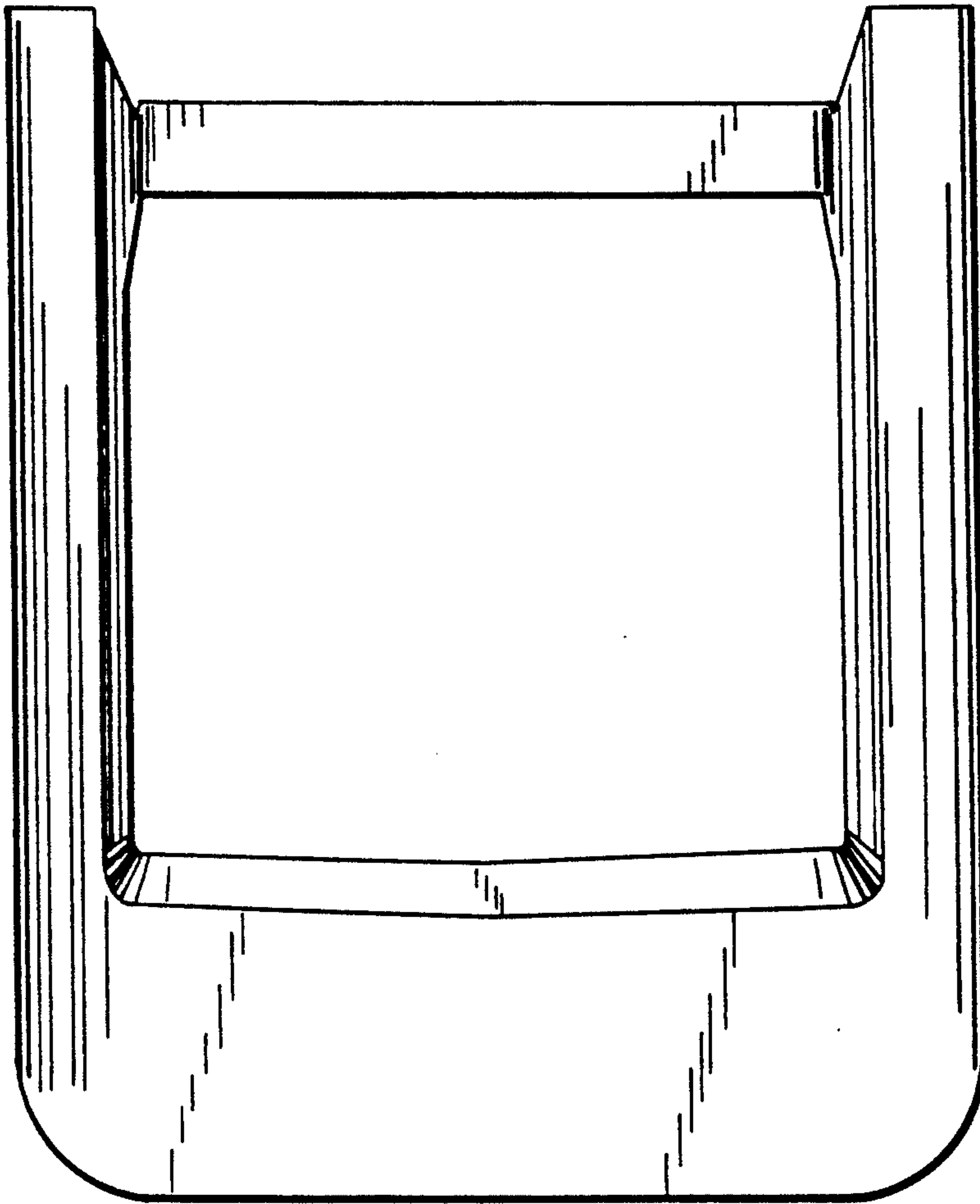


FIG. 17

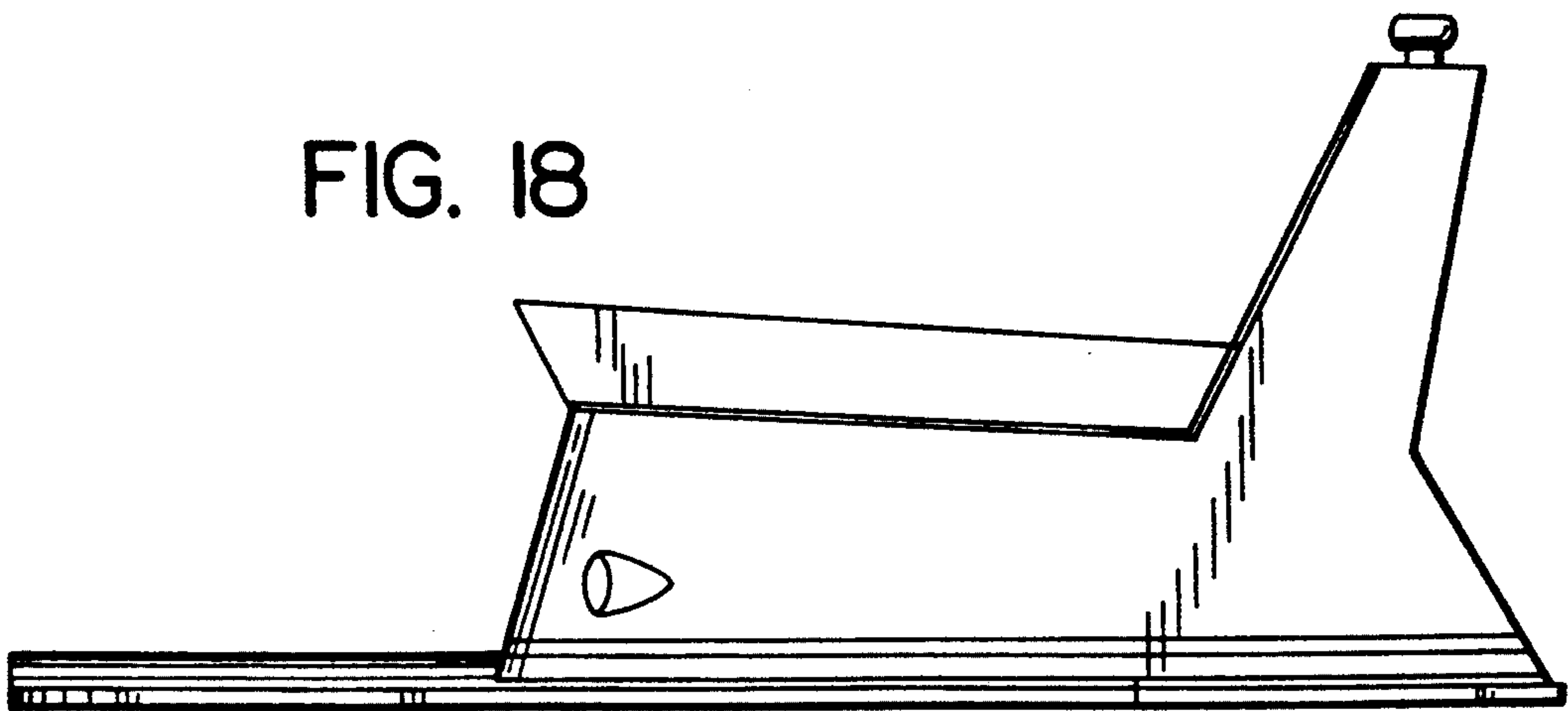


FIG. 18