



US00D337091S

United States Patent [19]

[11] Patent Number: **Des. 337,091**

Fleet

[45] Date of Patent: **** Jul. 6, 1993**

[54] **COMBINED SHIP MOUNTED OIL SPILL CONTAINMENT BOOM AND MOUNTING PLATE**

FOREIGN PATENT DOCUMENTS

730652 5/1955 United Kingdom 114/74

[76] Inventor: **Douglas N. Fleet, 14 Kingfisher Dr., Smithtown, N.Y. 11787-3312**

Primary Examiner—Kay H. Chin
Attorney, Agent, or Firm—Terry M. Gernstein

[**] Term: **14 Years**

[57] CLAIM

The ornamental design for a combined ship mounted oil spill containment boom and mounting plate, as shown and described.

[21] Appl. No.: **570,706**

DESCRIPTION

[22] Filed: **Aug. 22, 1990**

FIG. 1 is a front and top perspective view of the combined ship mounted oil spill containment boom and mounting plate embodying the design of the present invention;

[52] U.S. Cl. **D12/317; D8/349**

[58] Field of Search **D12/317; 114/74 T; 405/66, 67, 68, 69, 70; D8/317**

FIG. 2 is a front perspective view thereof in the collapsed configuration;

FIG. 3 is a front elevational view thereof;

FIG. 4 is a rear elevational view thereof;

FIG. 5 is a side elevational view thereof;

FIG. 6 is a side elevational view thereof;

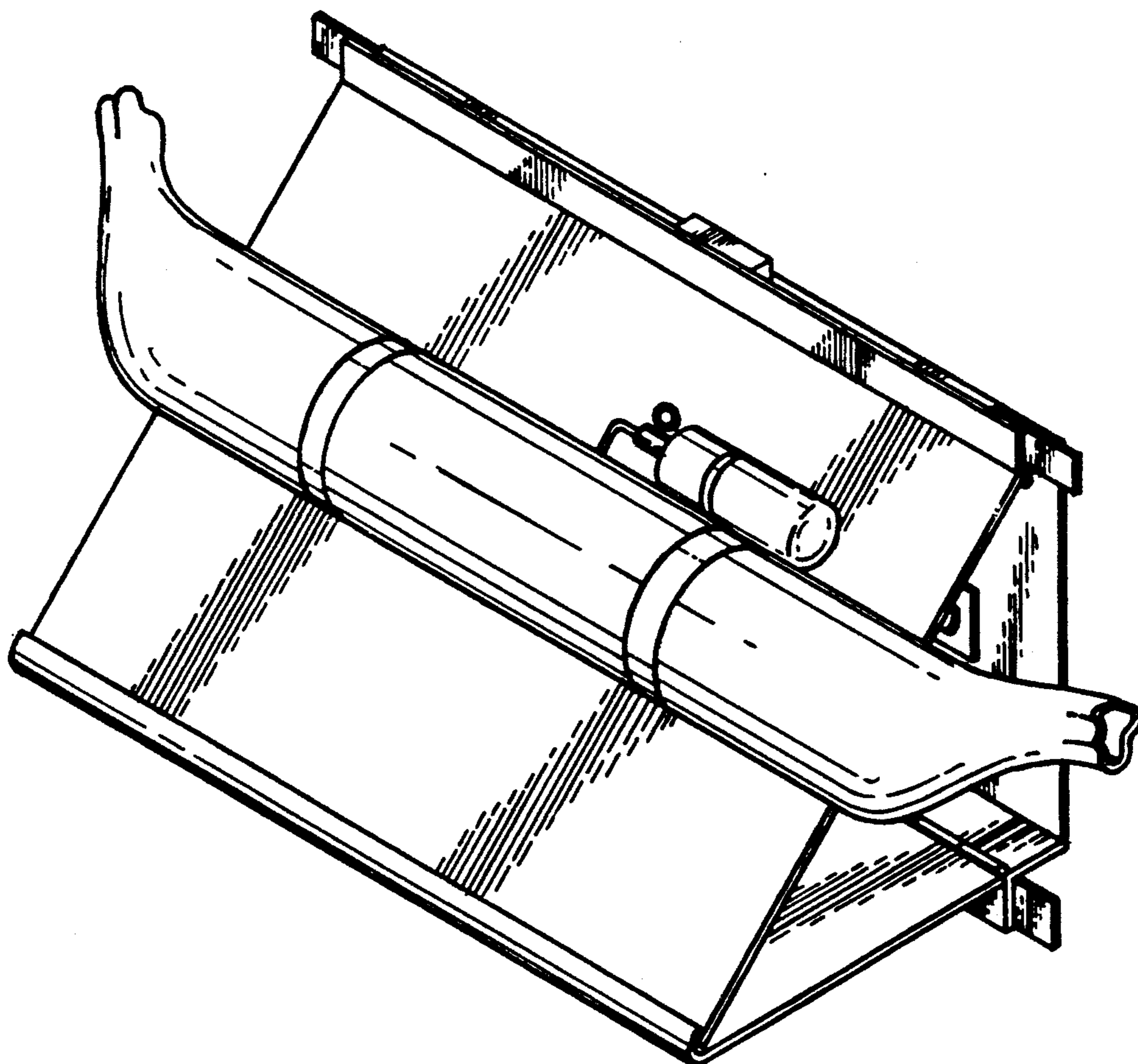
FIG. 7 is a top plan view thereof; and,

FIG. 8 is a bottom view thereof.

[56] References Cited

U.S. PATENT DOCUMENTS

2,682,151	6/1954	Simpson et al.	405/68
3,563,036	2/1971	Smith et al.	405/69
3,802,201	4/1974	Hoult et al.	405/68
5,071,545	12/1991	Ashtary	405/66



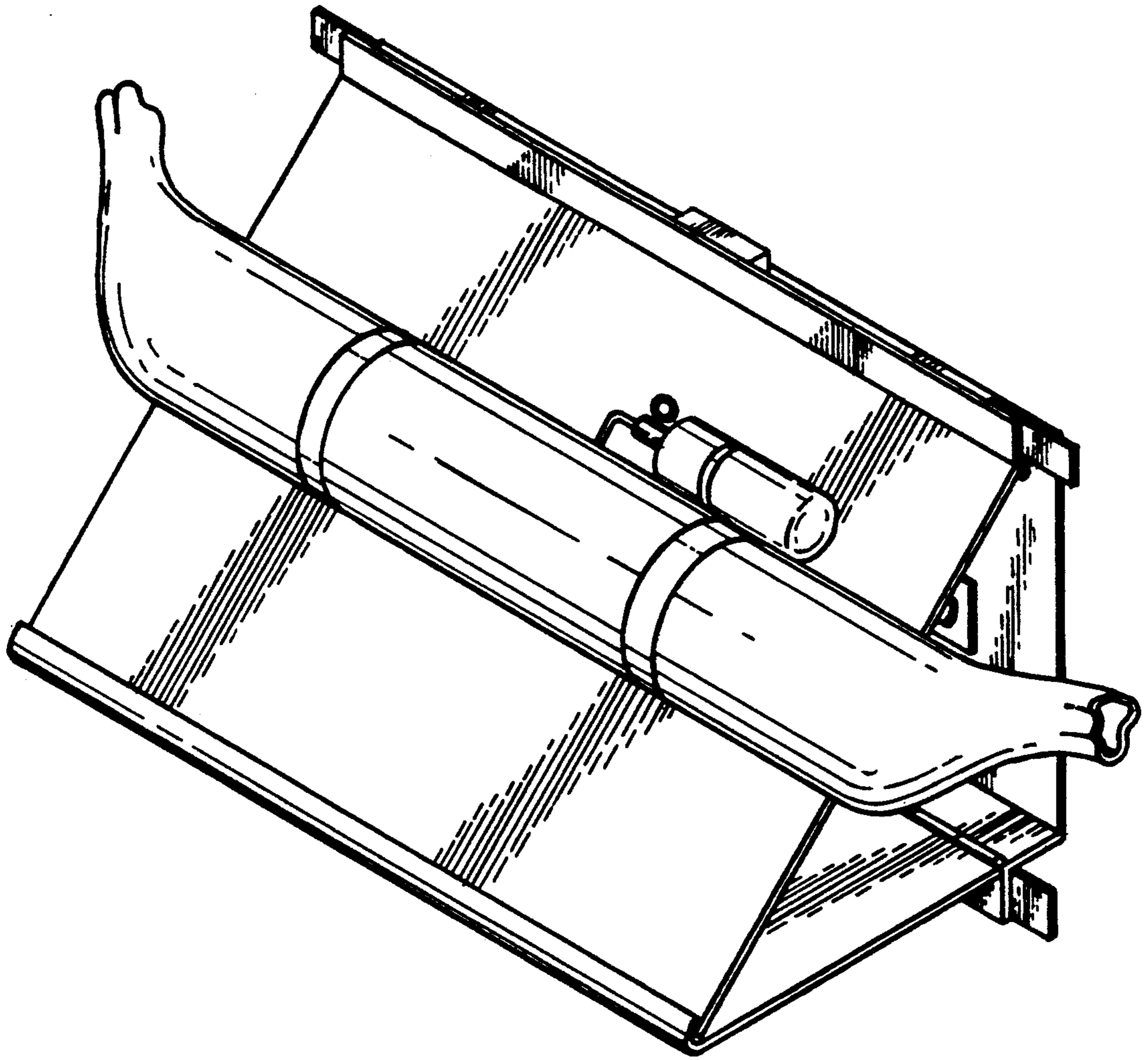


FIG. 1

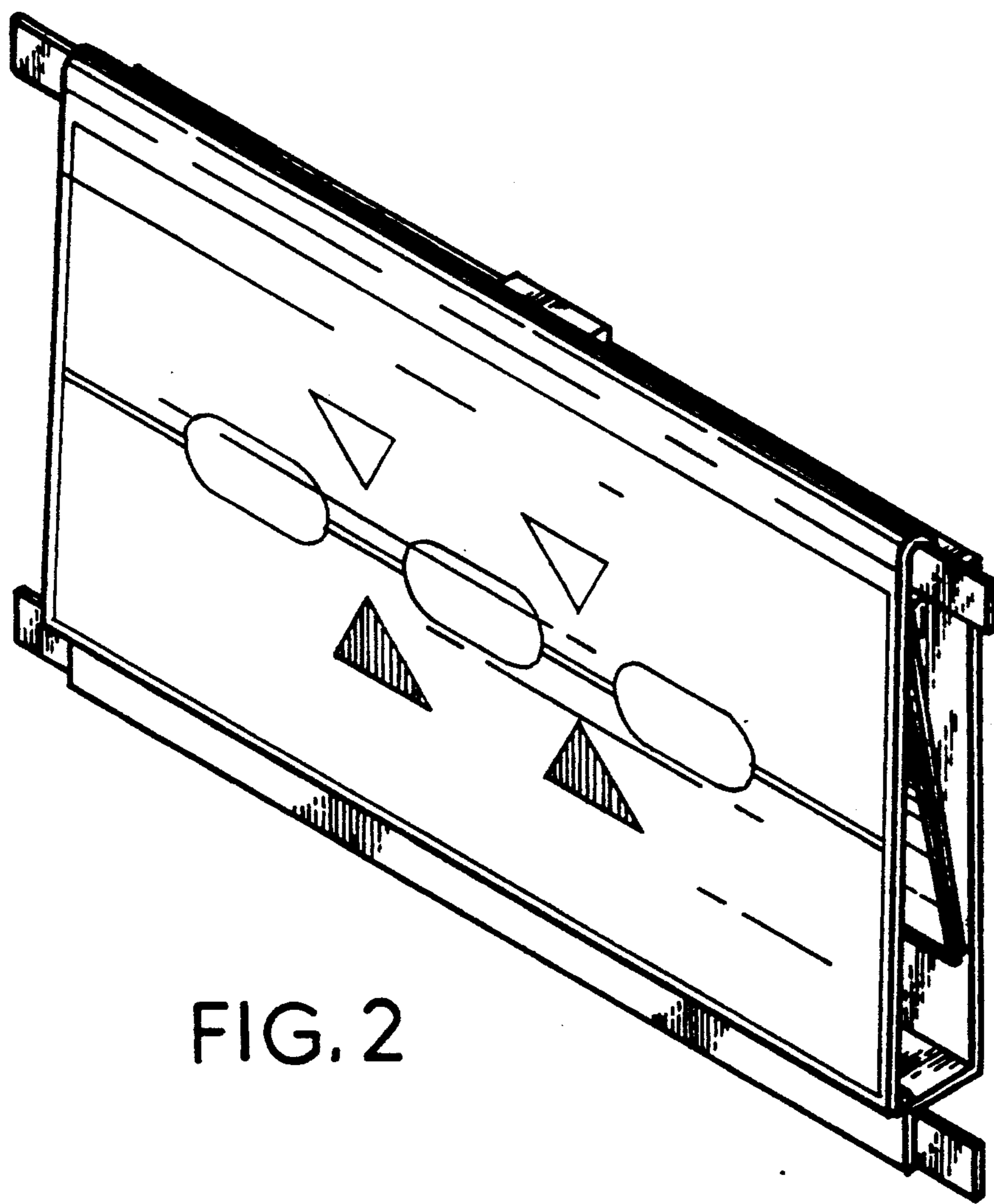


FIG. 2

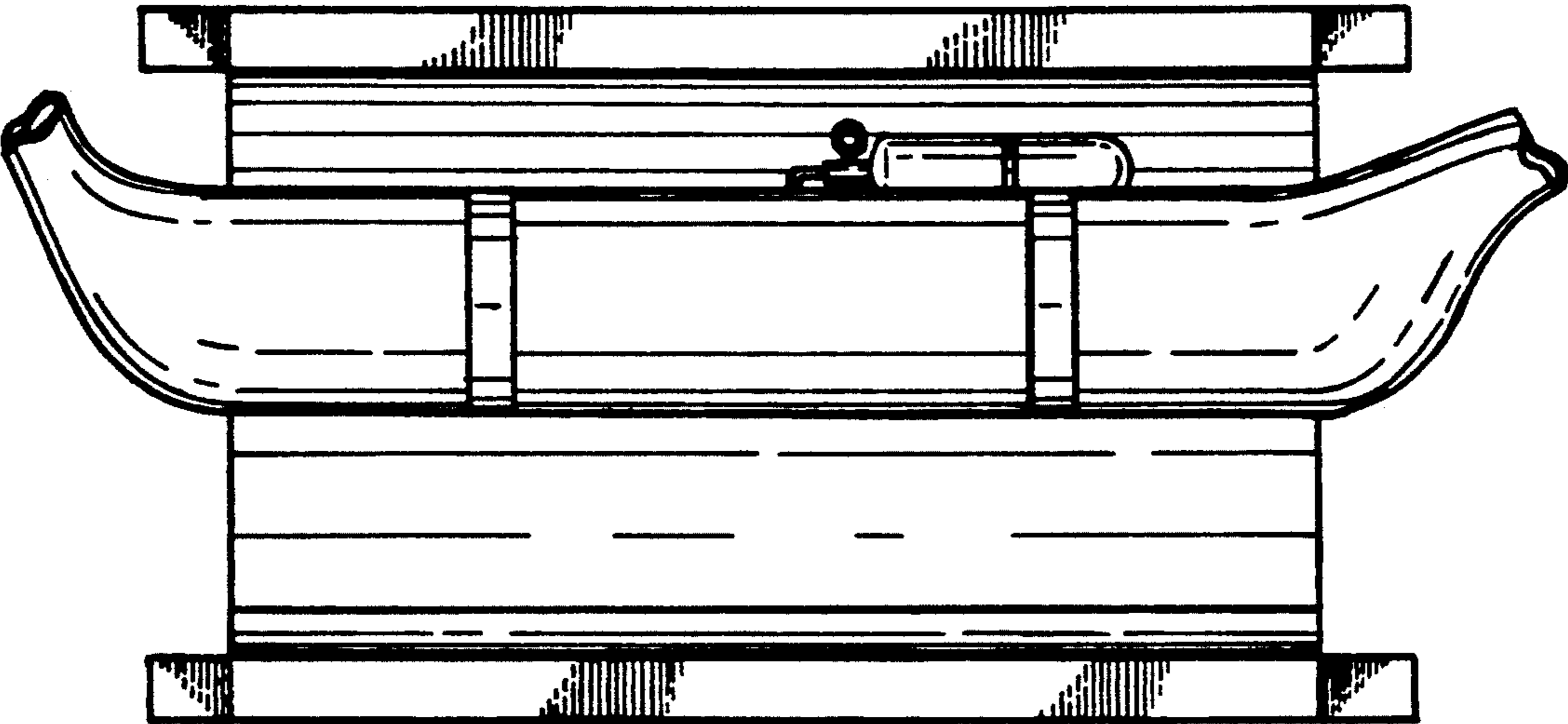


FIG. 3

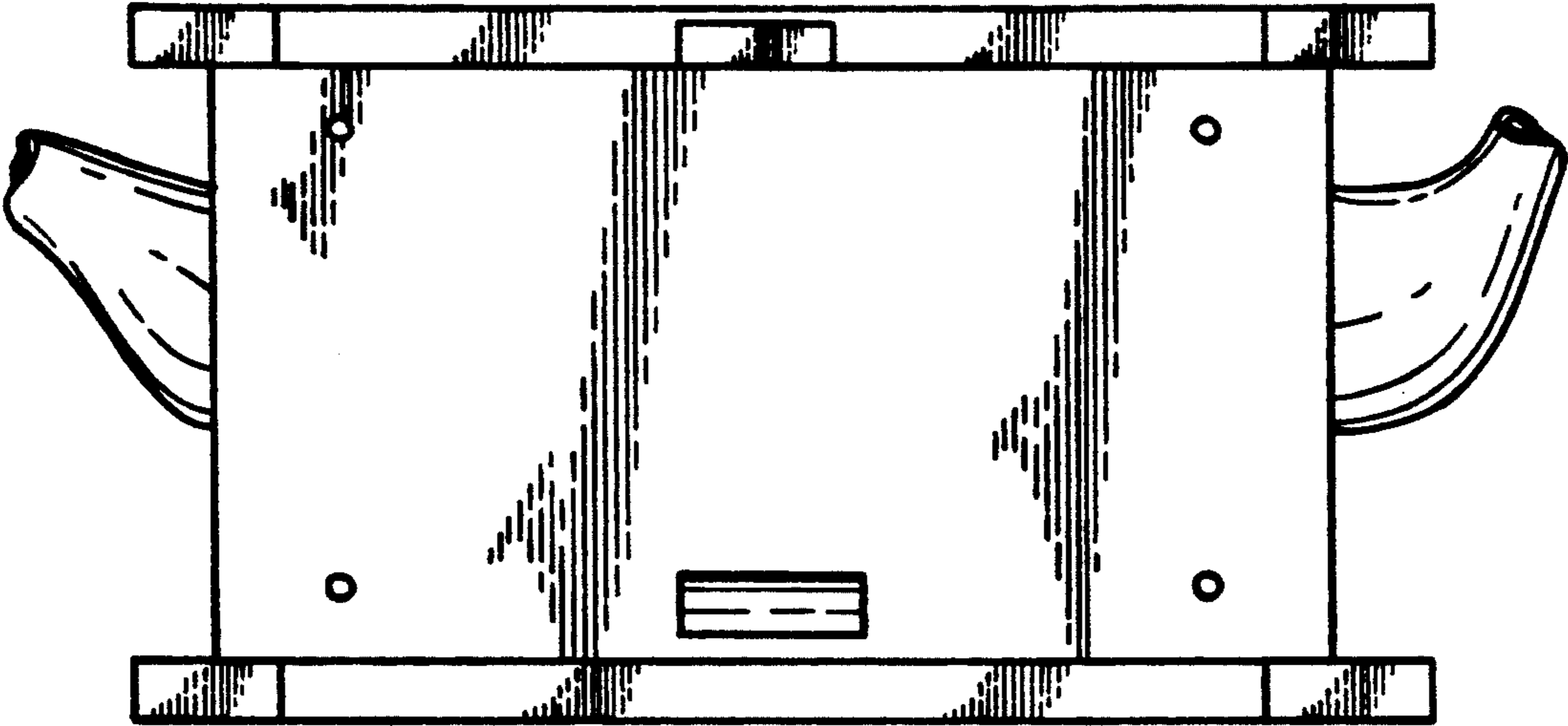


FIG. 4

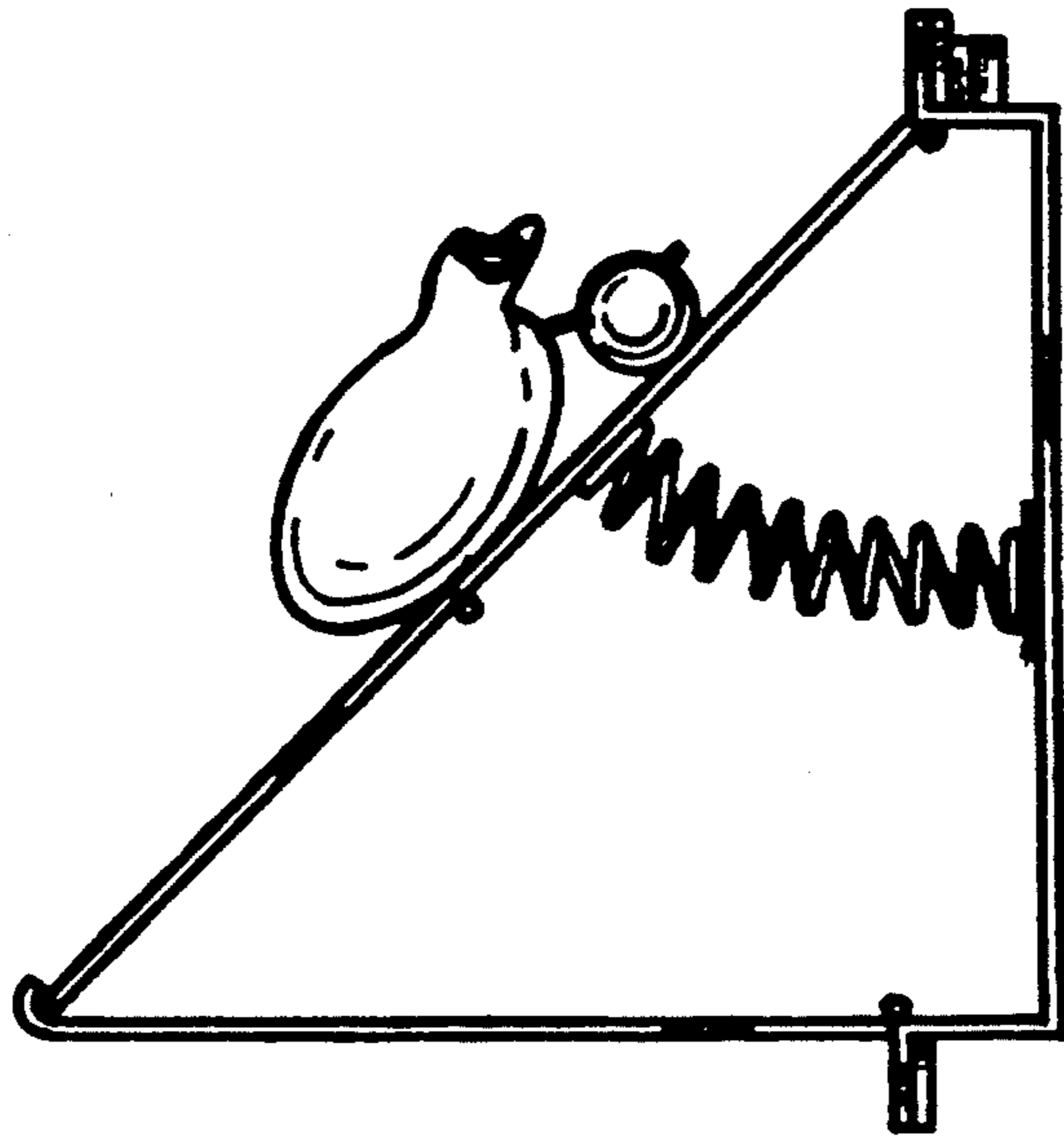


FIG. 5

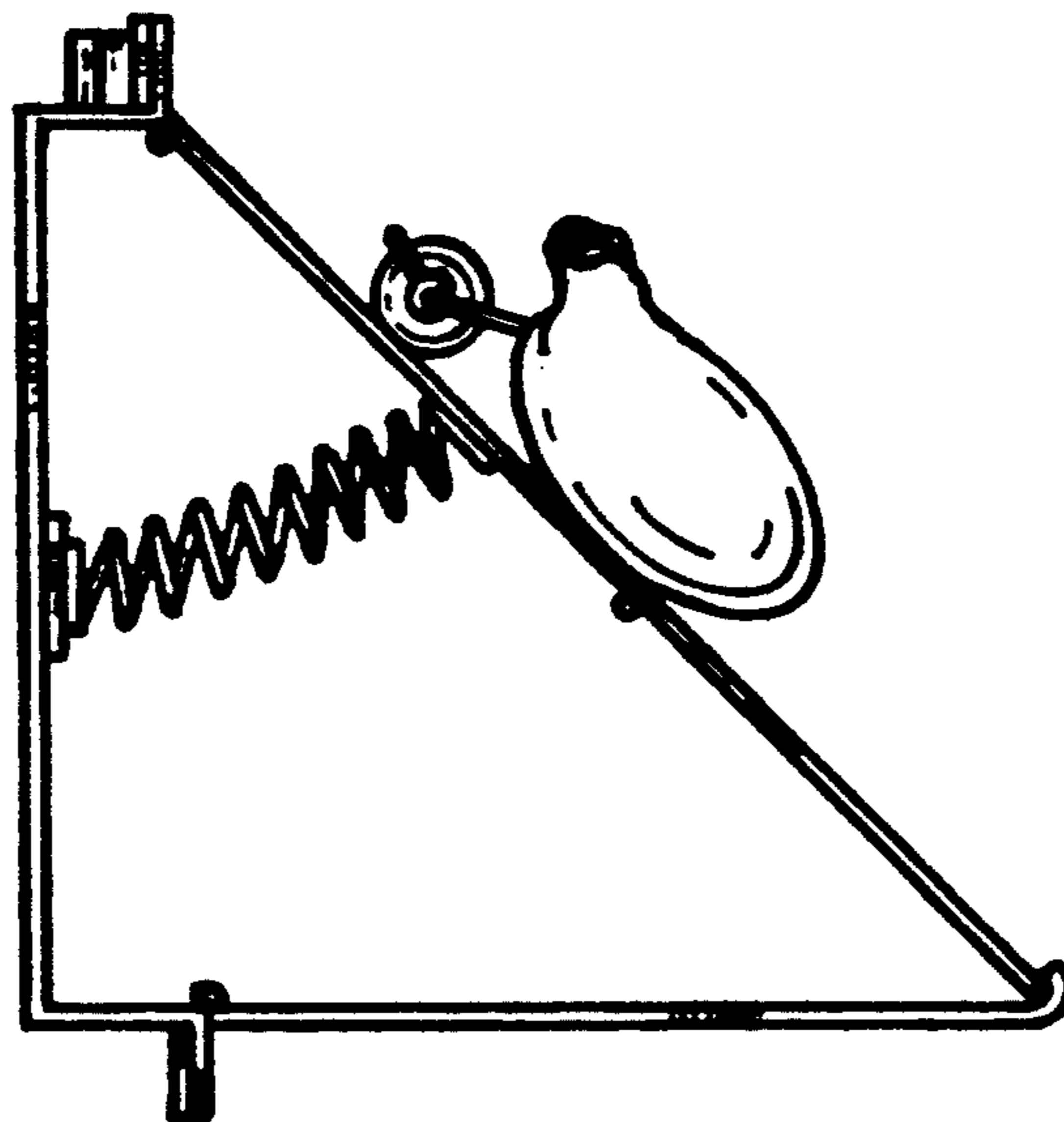


FIG. 6

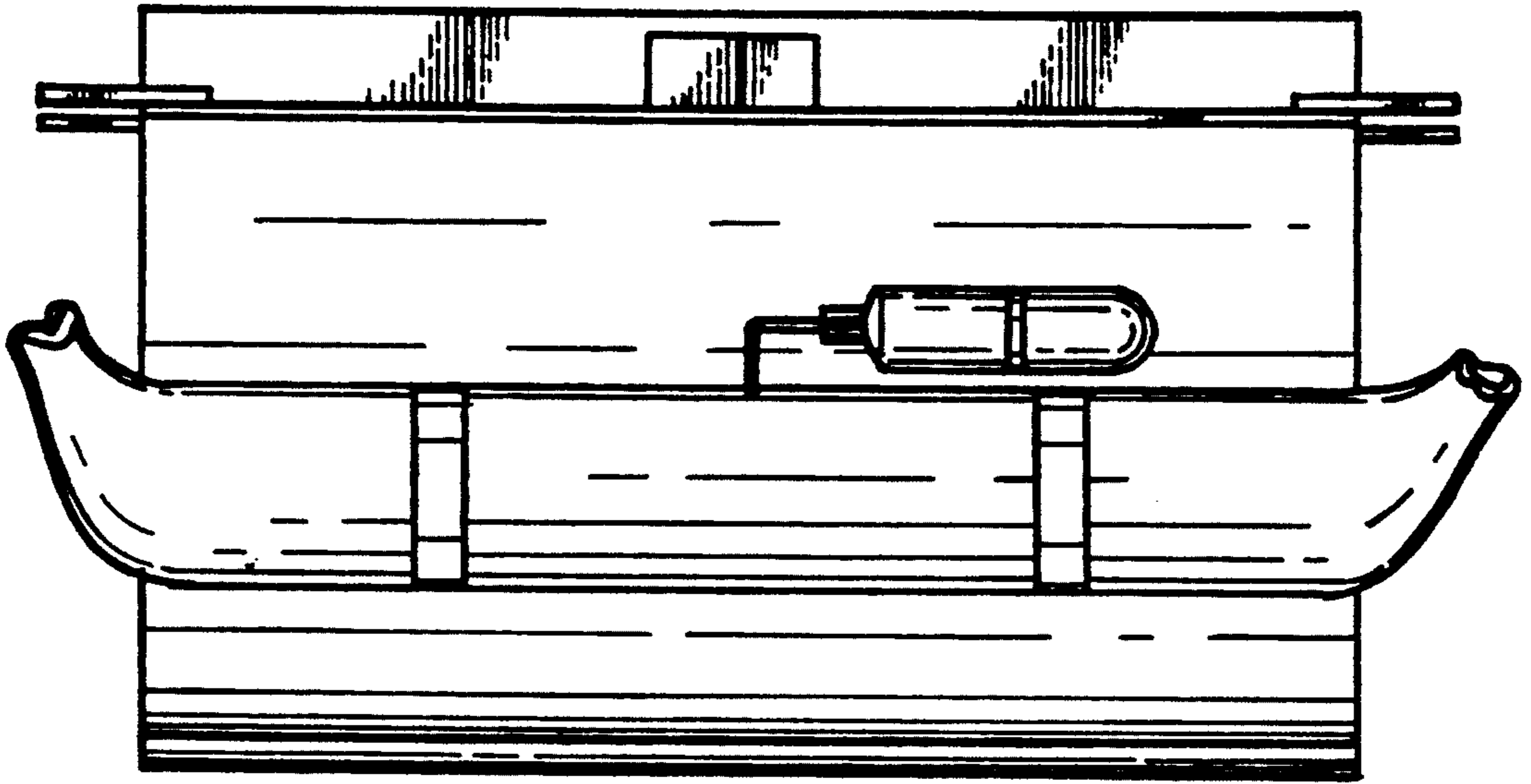


FIG. 7

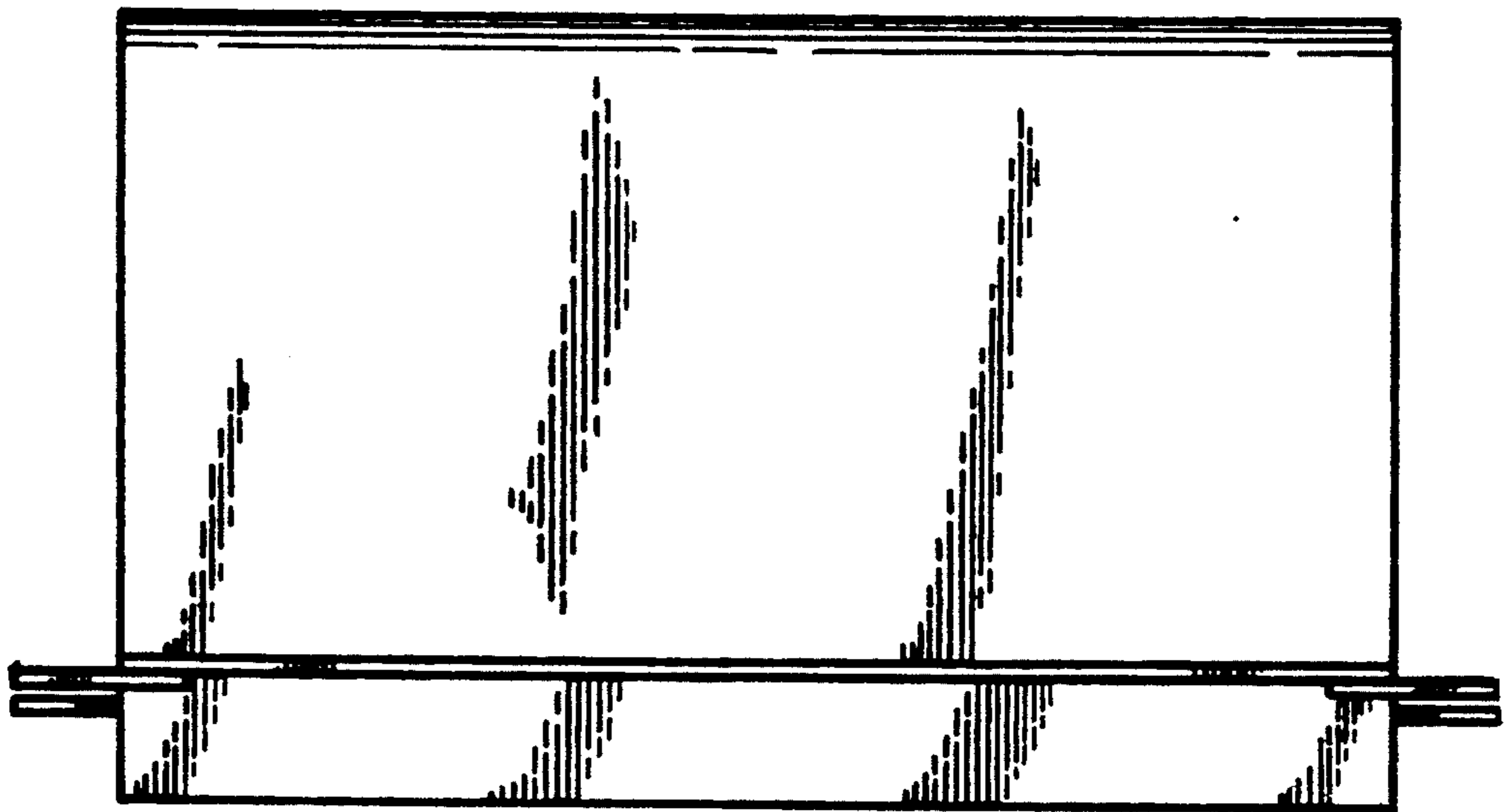


FIG. 8