



US00D337089S

United States Patent [19]
Steinke et al.

[11] **Patent Number: Des. 337,089**
[45] **Date of Patent: ** Jul. 6, 1993**

[54] **DISC BRAKE SHIM**

[75] **Inventors: Gustav J. Steinke; Starla D. Huffer,**
both of Lima, Ohio

[73] **Assignee: International Brake Industries, Inc.,**
Lima, Ohio

[**] **Term: 14 Years**

[21] **Appl. No.: 799,624**

[22] **Filed: Nov. 27, 1991**

[52] **U.S. Cl. D12/180**

[58] **Field of Search D12/180; 188/73.1, 250 B**

[56] **References Cited**

U.S. PATENT DOCUMENTS

3,277,093	1/1985	Caplygin	D12/180
4,220,223	9/1980	Rinker et al.	188/73.1
4,846,312	7/1989	Sweetmore et al.	188/73.1
5,129,487	7/1992	Kobayashi et al.	188/73.1

FOREIGN PATENT DOCUMENTS

2048584 4/1972 Fed. Rep. of Germany 188/73.1

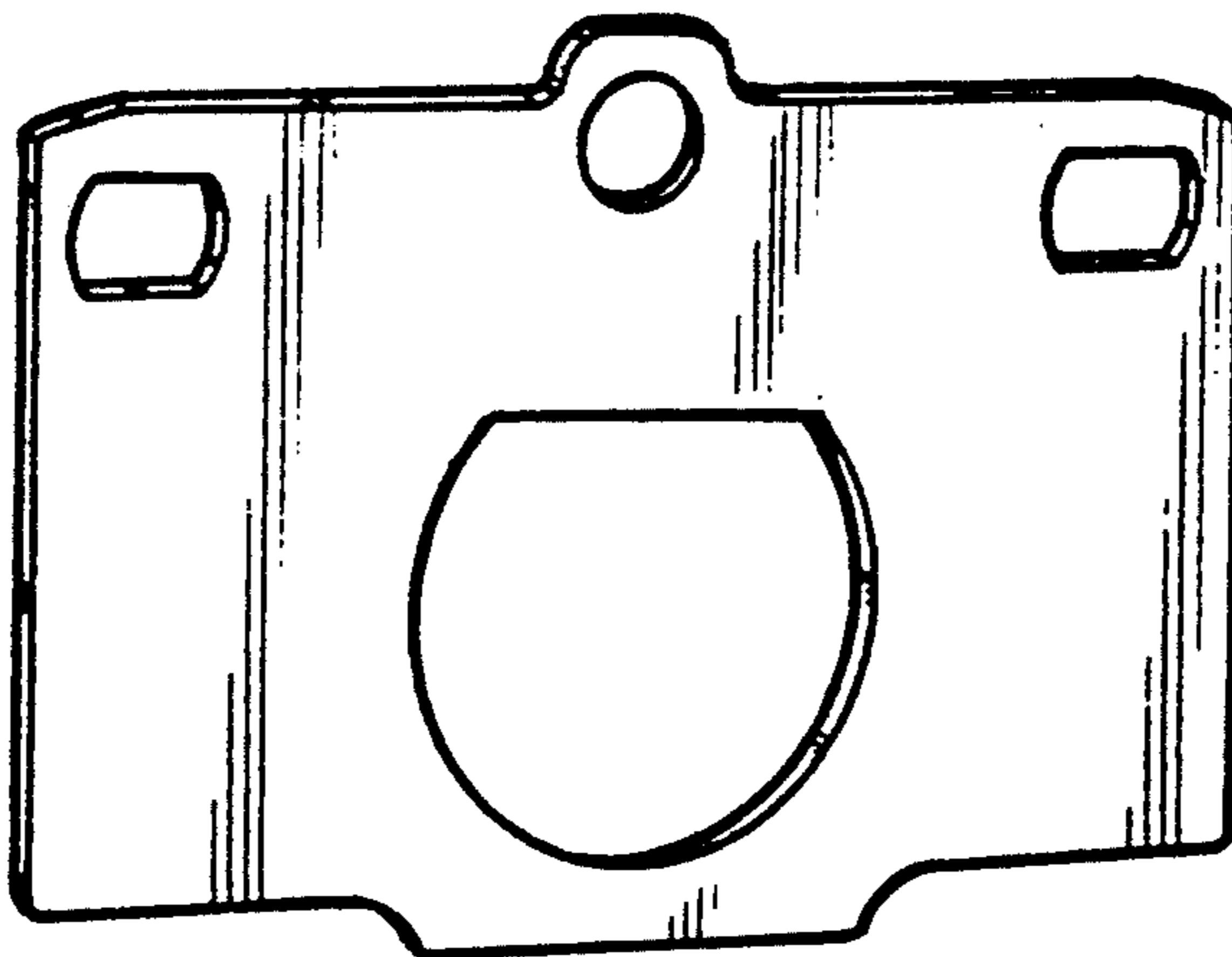
Primary Examiner—Wallace R. Burke
Assistant Examiner—Melody Brown
Attorney, Agent, or Firm—Edgar A. Zarins; Malcolm L. Sutherland

[57] **CLAIM**

The ornamental design for a disc brake shim, as shown.

DESCRIPTION

FIG. 1 is an elevated perspective of a disc brake shim showing our new design;
FIG. 2 is a left side elevational view thereof;
FIG. 3 is a front elevational view thereof;
FIG. 4 is a top plan view thereof;
FIG. 5 is a right side elevational view thereof;
FIG. 6 is a rear elevational view thereof; and,
FIG. 7 is a bottom plan view thereof.



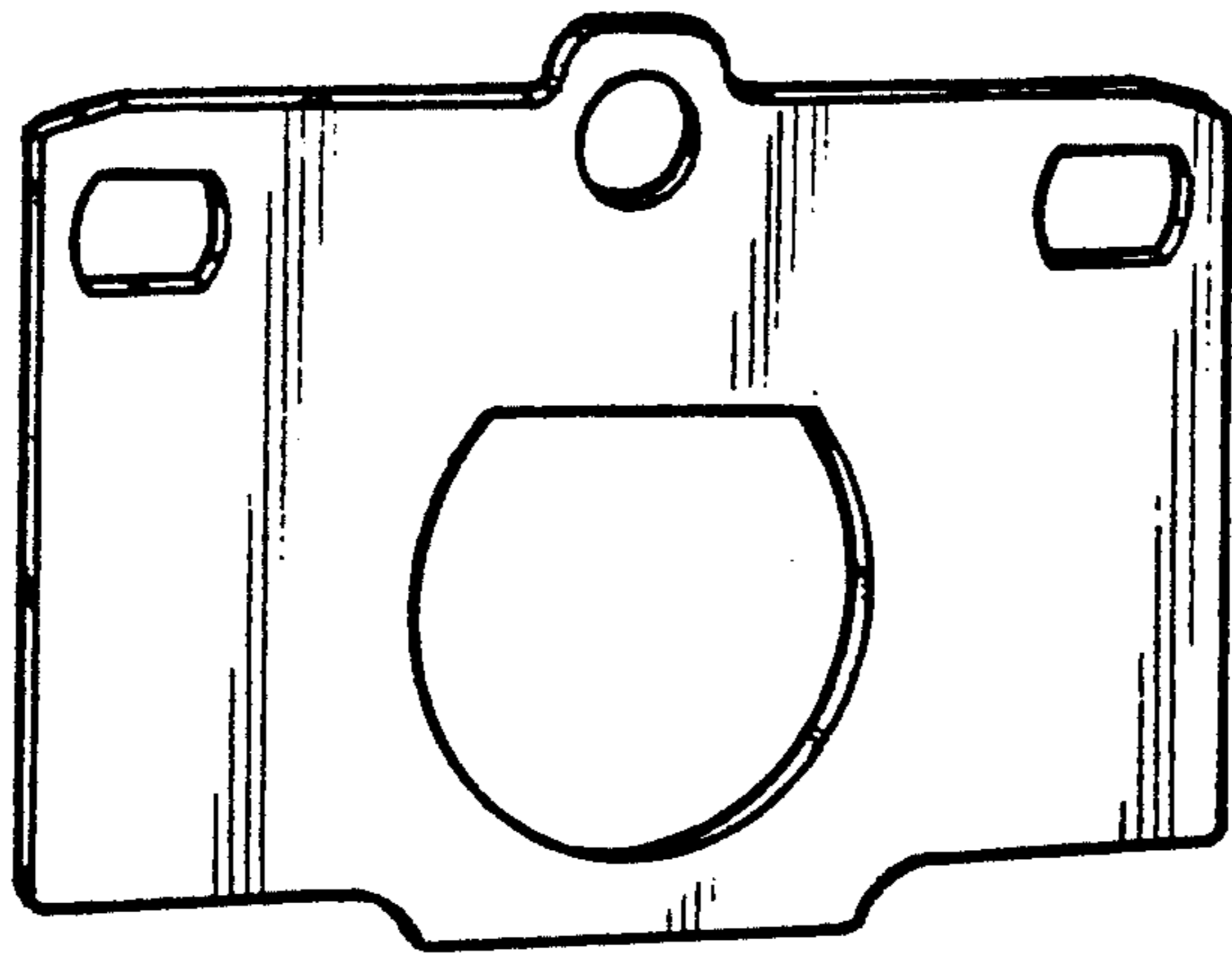


Fig-1



Fig-2

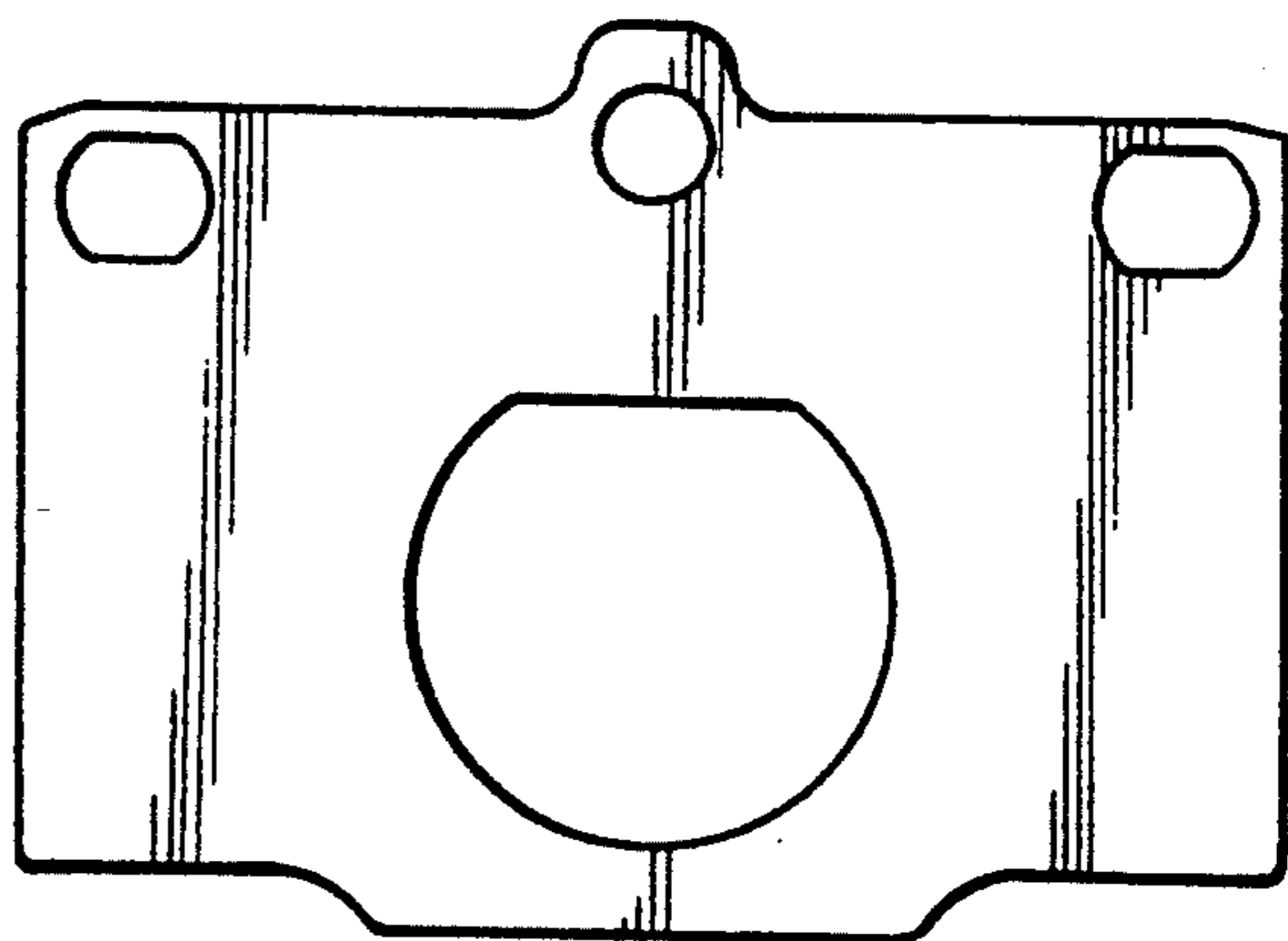


Fig-3



Fig-4

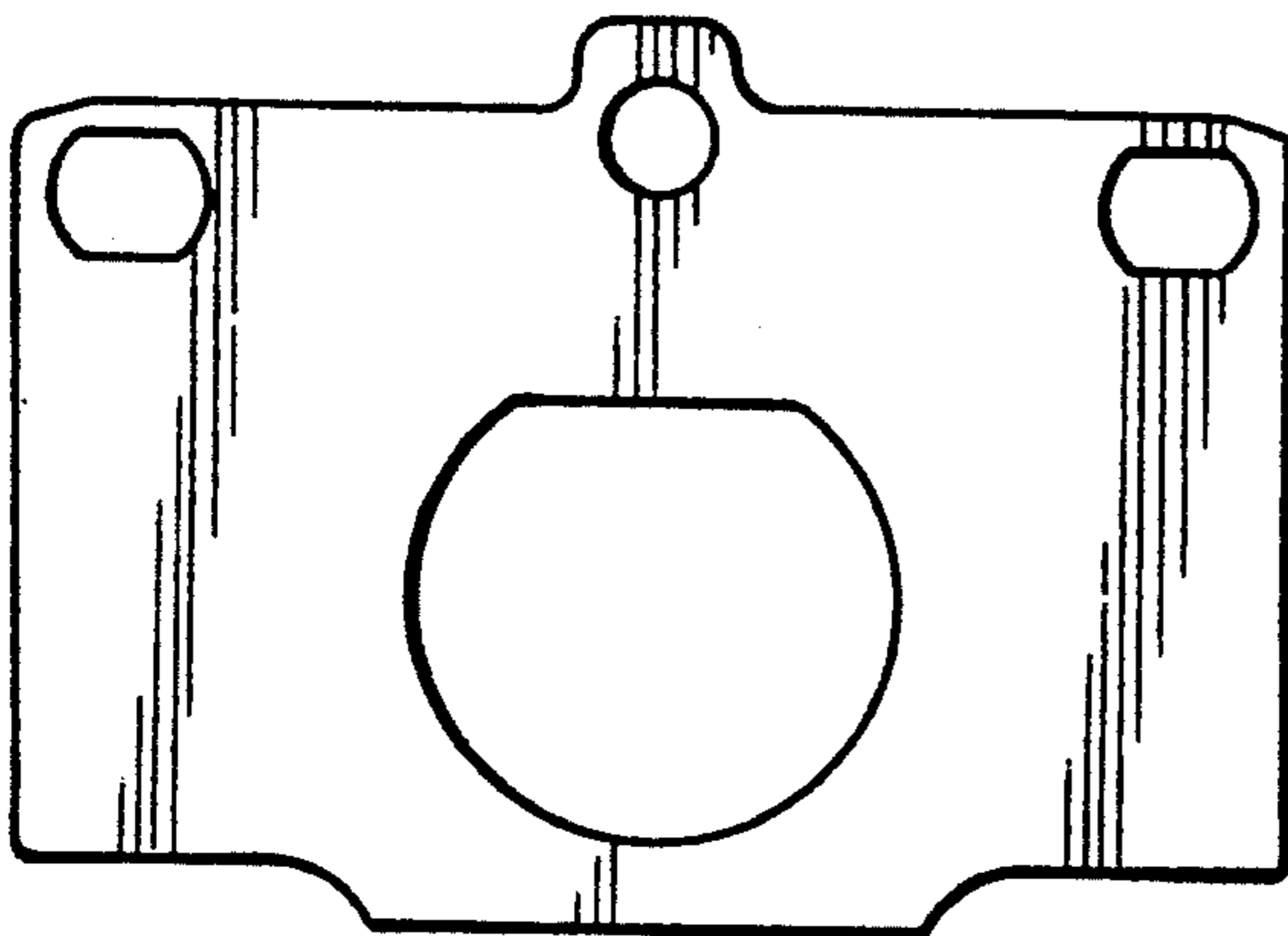


Fig-6



Fig-5



Fig-7