



US00D337087S

United States Patent [19]

[11] Patent Number: Des. 337,087

Peterman et al.

[45] Date of Patent: ** Jul. 6, 1993

[54] HITCH-MOUNTED BIKE RACK

[75] Inventors: Melvin G. Peterman, Aloha; Bradley A. Stivers, Cornelius, both of Oreg.; Donald L. Lewison, Bellevue, Wash.

[73] Assignee: BakRak, Inc., Beaverton, Oreg.

[**] Term: 14 Years

[21] Appl. No.: 792,096

[22] Filed: Nov. 12, 1991

[52] U.S. Cl. D12/158

[58] Field of Search D12/158; 224/42.03 B, 224/42.03 R, 42.45

[56] References Cited

U.S. PATENT DOCUMENTS

D. 294,564	3/1988	Stoecker	D12/158
D. 308,846	6/1990	Eckhart	D12/158
D. 325,553	4/1992	Weiner et al.	D12/158
4,400,129	8/1983	Eisenberg et al.	224/42.03 R
4,676,414	6/1987	Deguevara	224/42.03 R
5,067,641	11/1991	Johnson et al.	224/42.03 R

OTHER PUBLICATIONS

American Bicyclist & Motorcyclist, Jan. 1991, p. 16, the model 1079R & 1079R4 hitch mounted bikeracks.

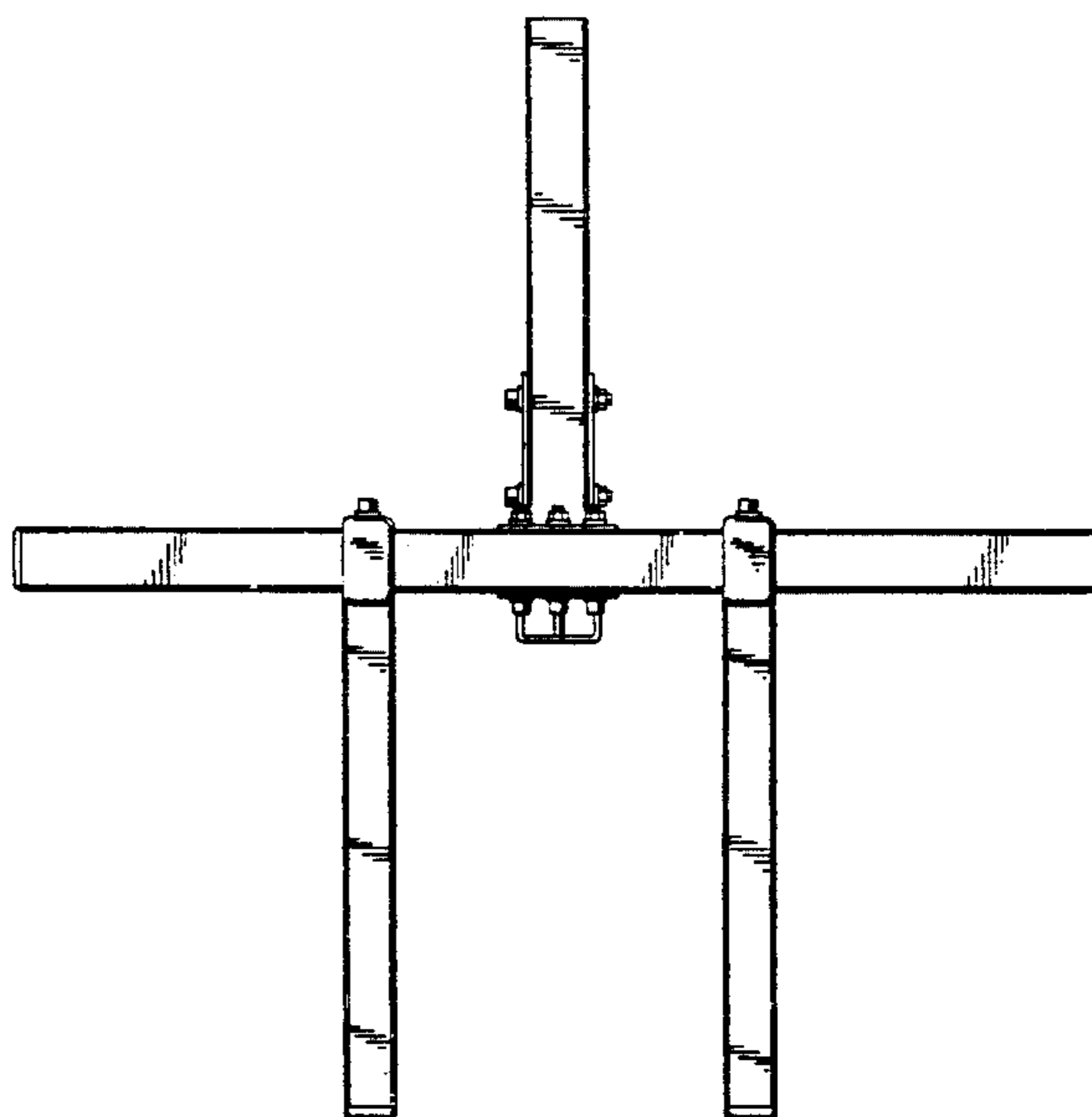
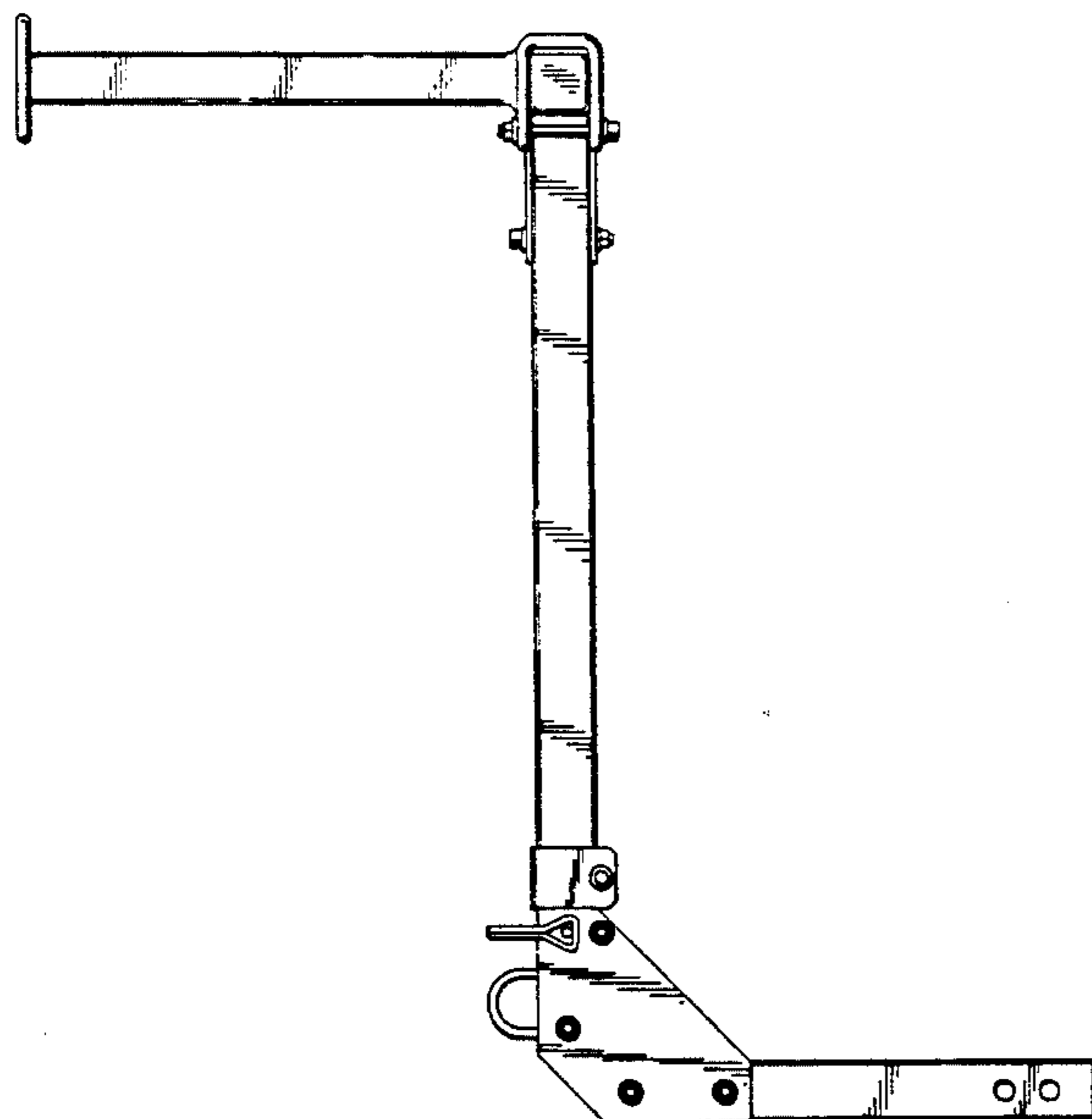
Primary Examiner—Wallace R. Burke
Assistant Examiner—Melody N. Brown
Attorney, Agent, or Firm—Kolisch, Hartwell, Dickinson, McCormack & Heuser

[57] CLAIM

The ornamental design for hitch-mounted bike rack, as shown and described.

DESCRIPTION

FIG. 1 is a front elevation view of a hitch-mounted bike rack showing our new design;
FIG. 2 is a left side elevation view thereof, it being understood that the broken lines are for illustrative purposes only and form no part of the claimed design;
FIG. 3 is a rear elevation thereof;
FIG. 4 is a right side elevation view thereof;
FIG. 5 is a top plan view thereof; and,
FIG. 6 is a bottom plan view thereof.



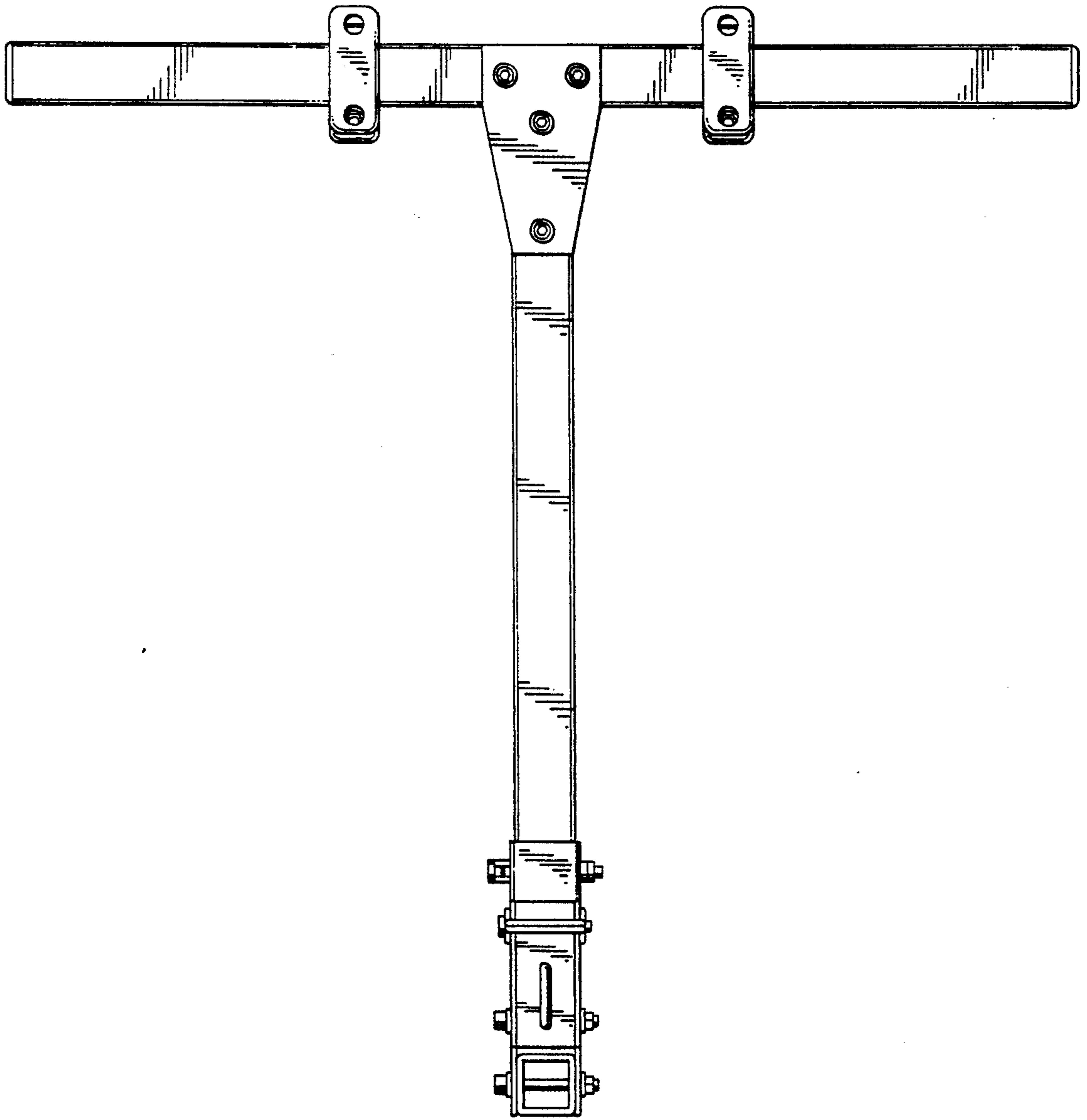


FIG. 1

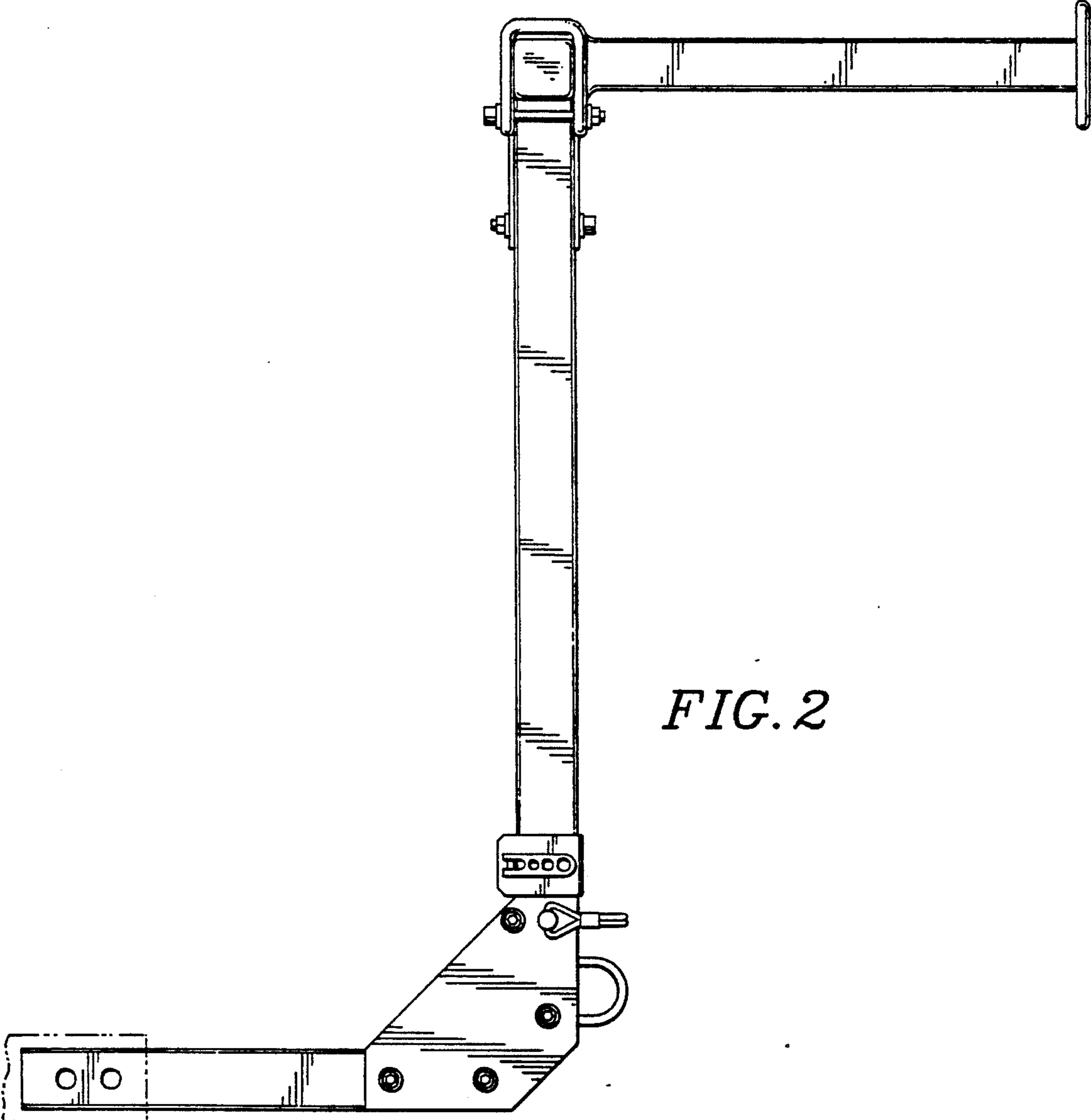


FIG. 2

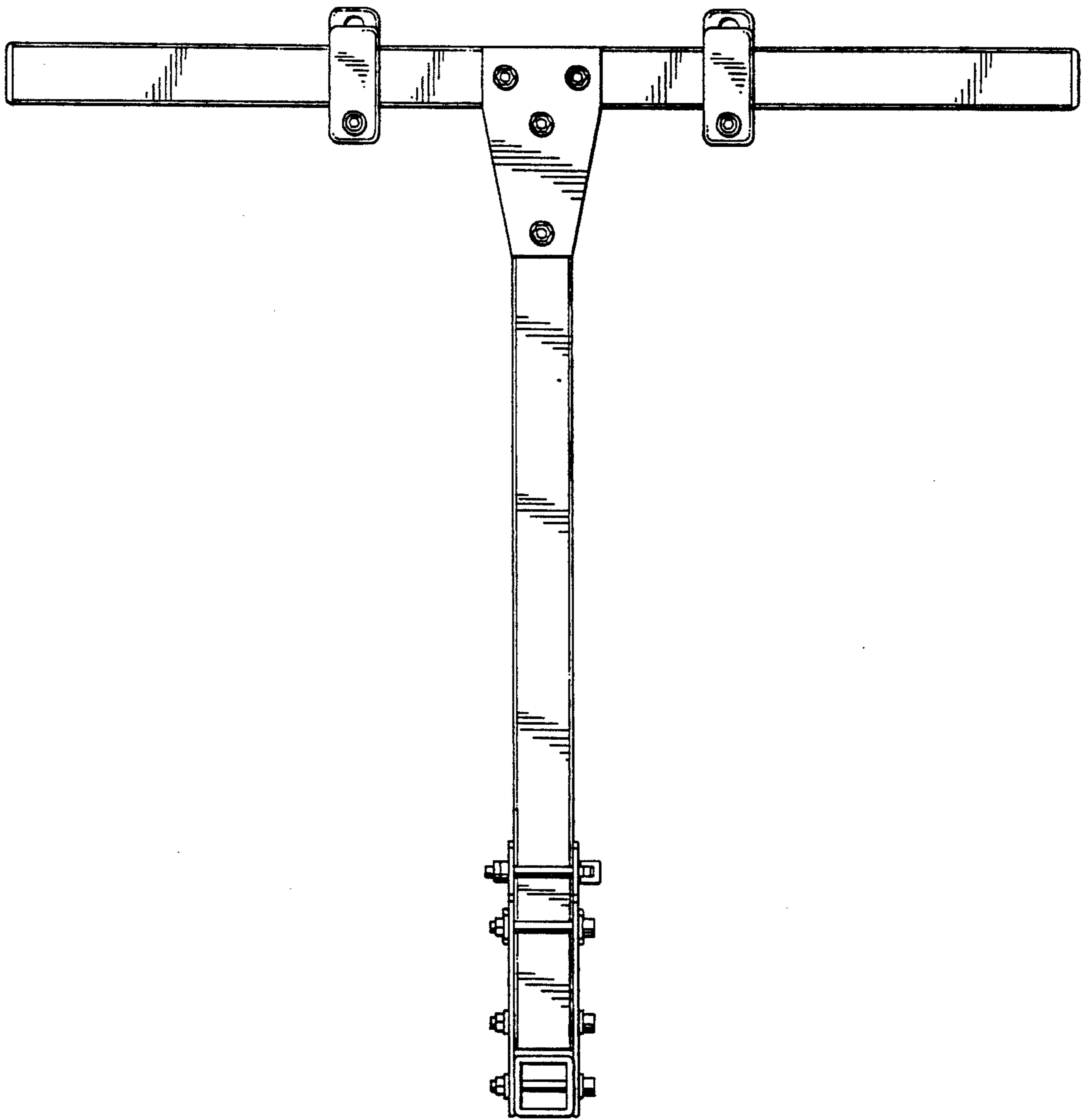


FIG. 3

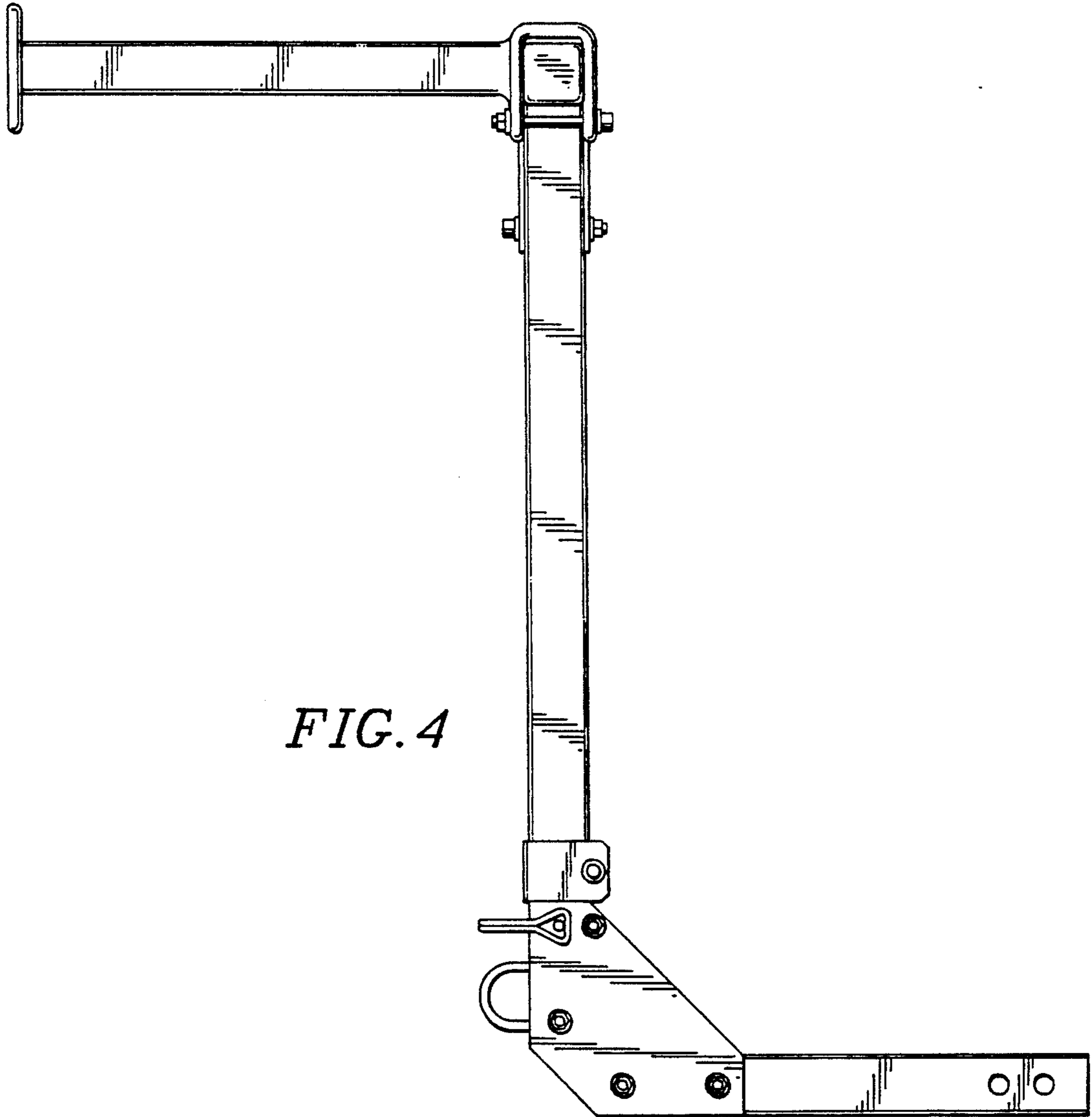


FIG. 4

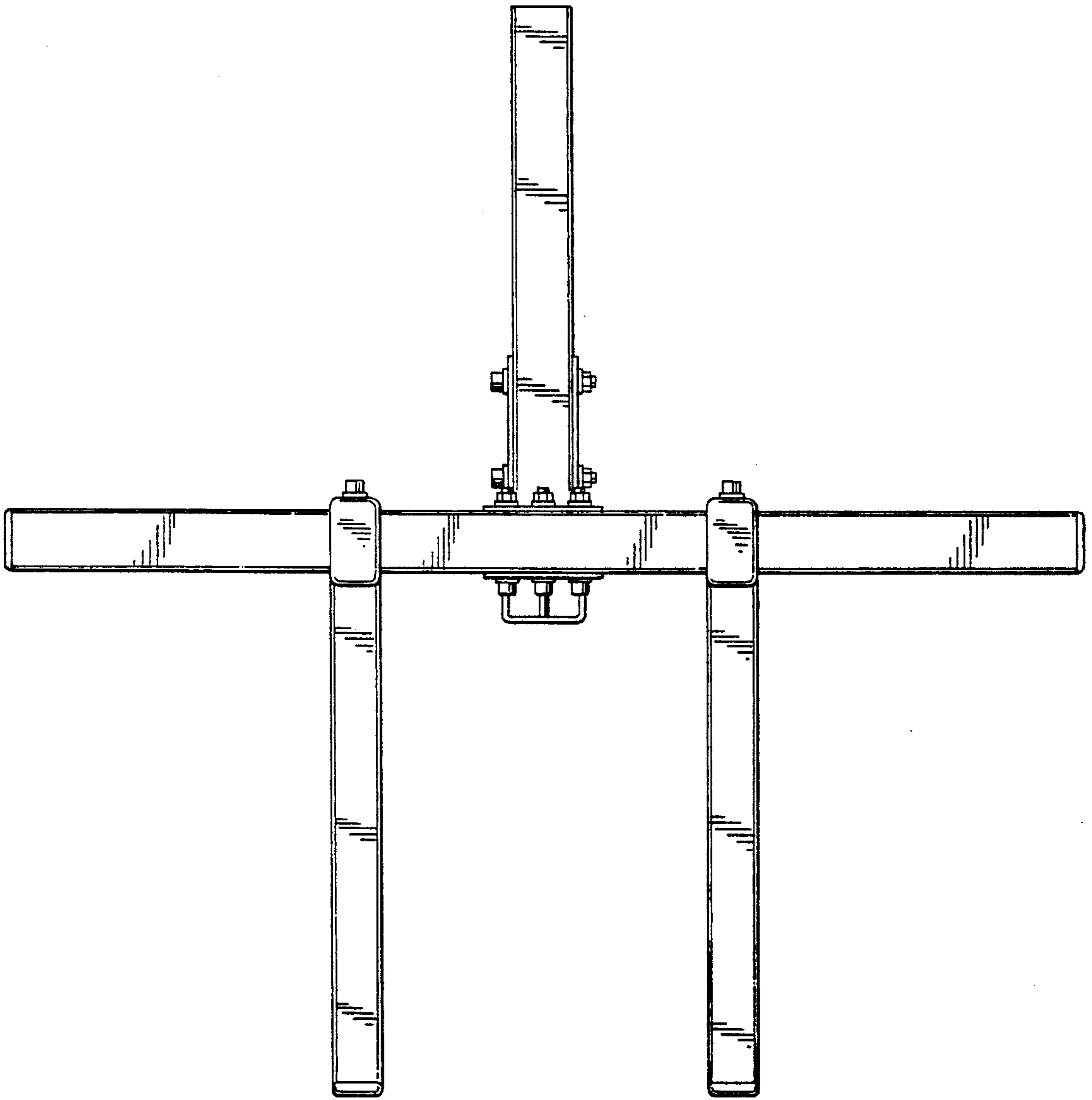


FIG. 5

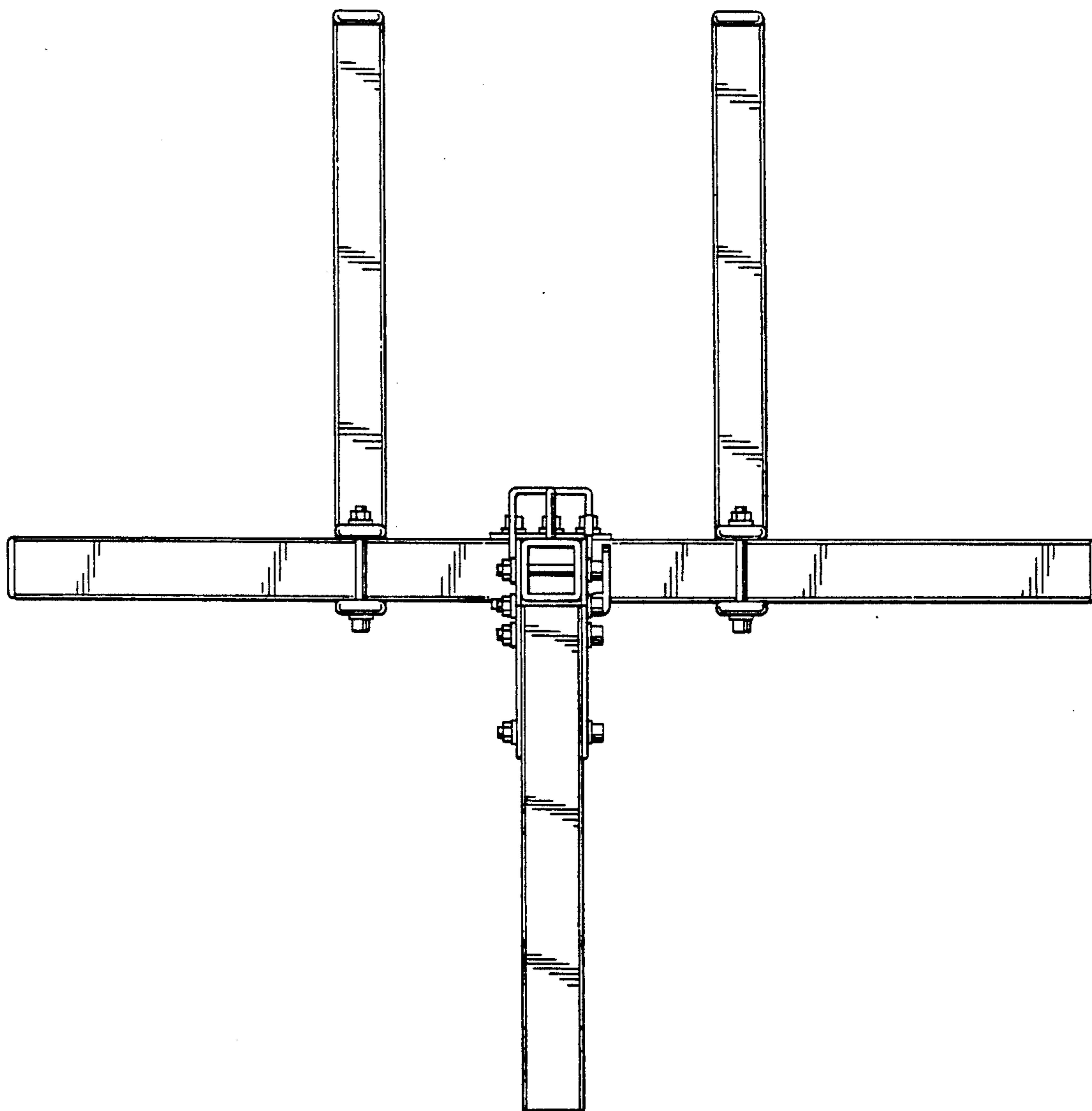


FIG. 6