



US00D337082S

United States Patent [19]

[11] Patent Number: **Des. 337,082**

Hellesoe

[45] Date of Patent: **** Jul. 6, 1993**

[54] **CYCLE RACK**

559,312	4/1896	Seeley	211/22
596,541	1/1898	Price	211/22
5,074,419	12/1991	Smith	211/17

[76] Inventor: **Reginald C. W. Hellesoe**, P.O. Box 100335 North Shore Mail Centre, Auckland, New Zealand

Primary Examiner—Wallace R. Burke
Assistant Examiner—Melody Brown
Attorney, Agent, or Firm—Scully, Scott, Murphy & Presser

[**] Term: **14 Years**

[21] Appl. No.: **645,278**

[57] **CLAIM**

[22] Filed: **Jan. 23, 1991**

The ornamental design for a cycle rack, as shown and described.

[30] **Foreign Application Priority Data**

DESCRIPTION

Jul. 23, 1990 [NZ] New Zealand 23386

[52] U.S. Cl. **D12/115**

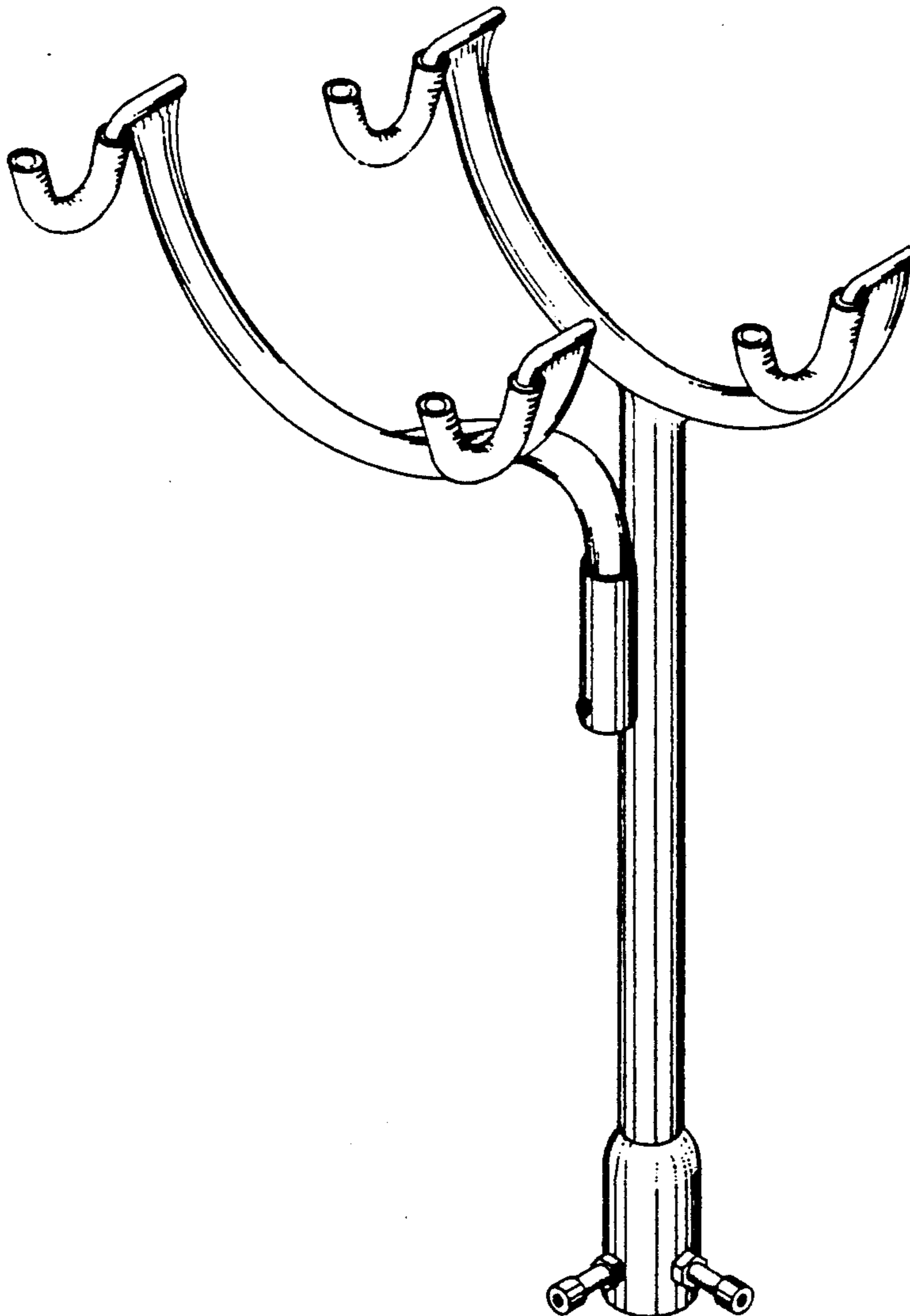
[58] Field of Search D12/115; 211/17, 20, 211/22

FIG. 1 is a front and right side perspective view of the cycle rack showing my new and ornamental design; FIG. 2 is a front elevational view thereof; FIG. 3 is a rear elevational view thereof; FIG. 4 is a right side elevational view thereof, the left side being a mirror image of that shown; and, FIG. 5 is a top plan view thereof.

[56] **References Cited**

U.S. PATENT DOCUMENTS

D. 27,072 5/1897 Seeley D12/115



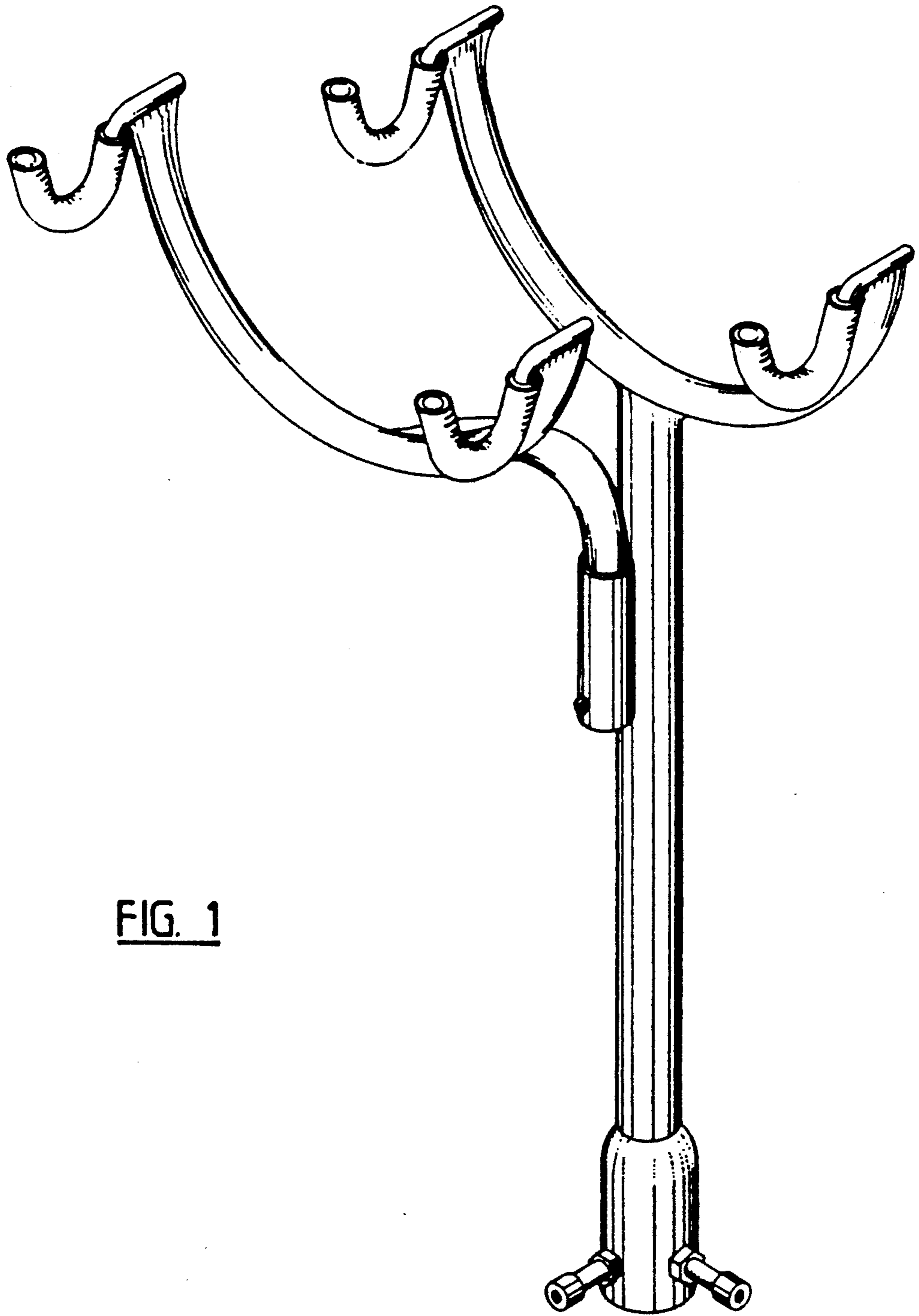


FIG. 1

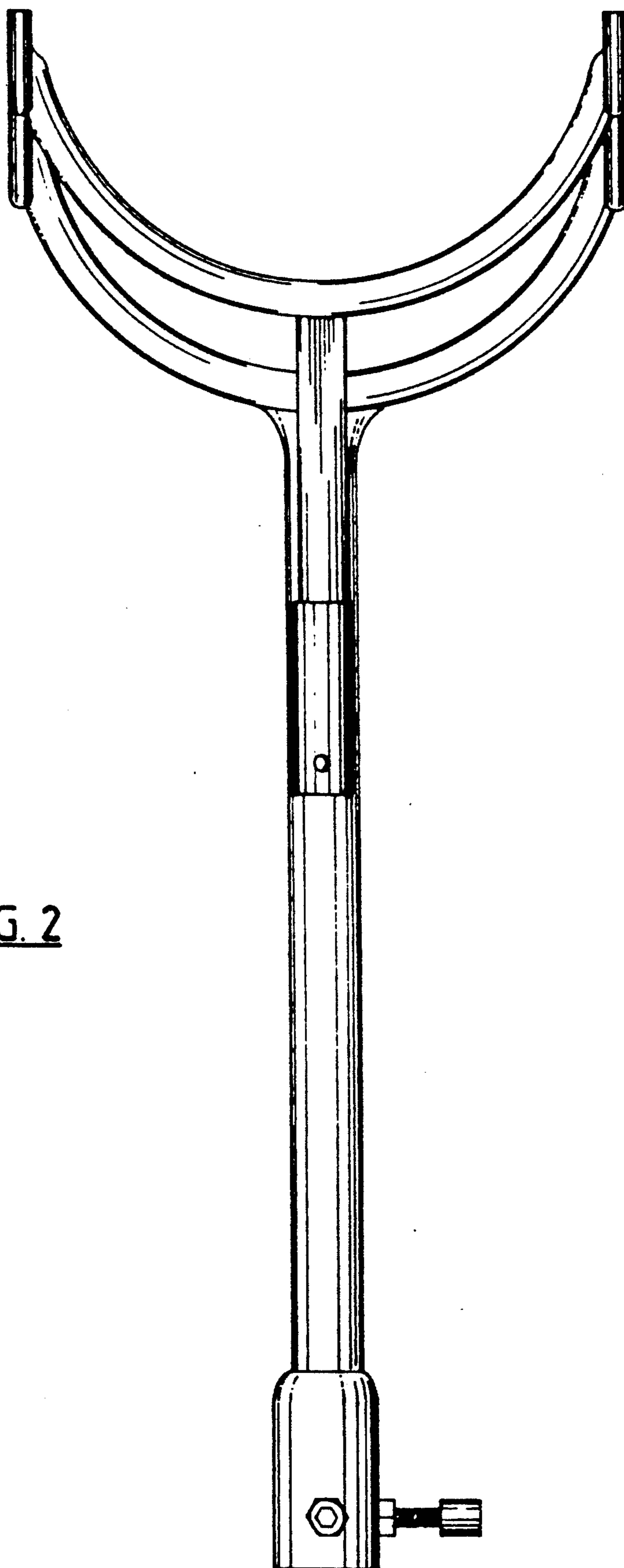


FIG. 2

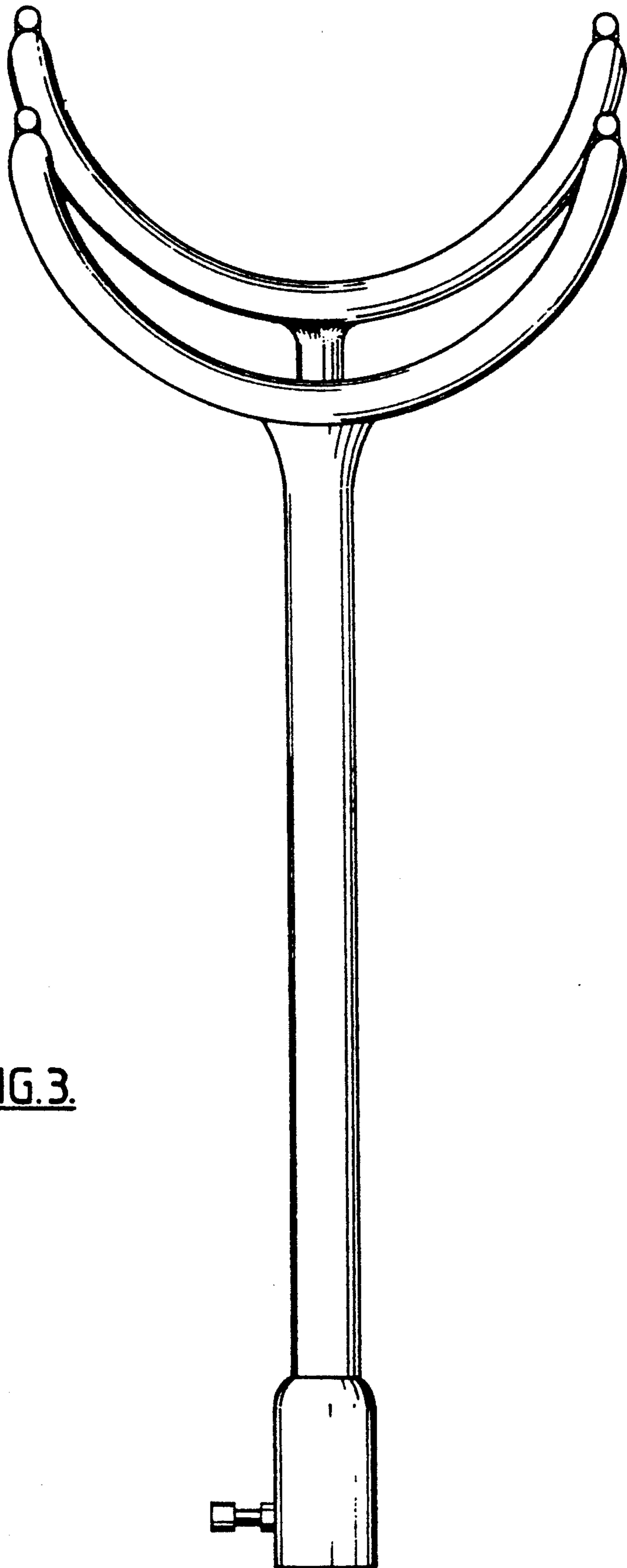


FIG. 3.

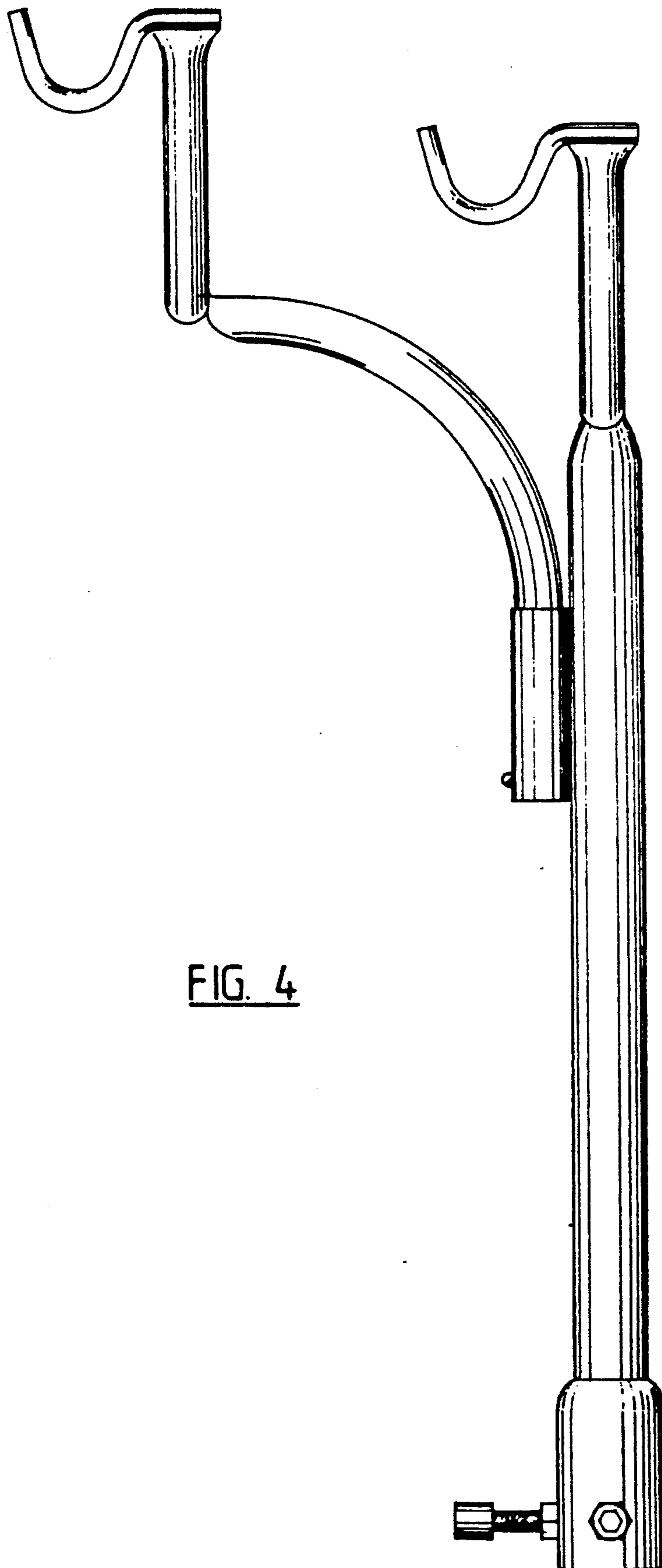


FIG. 4

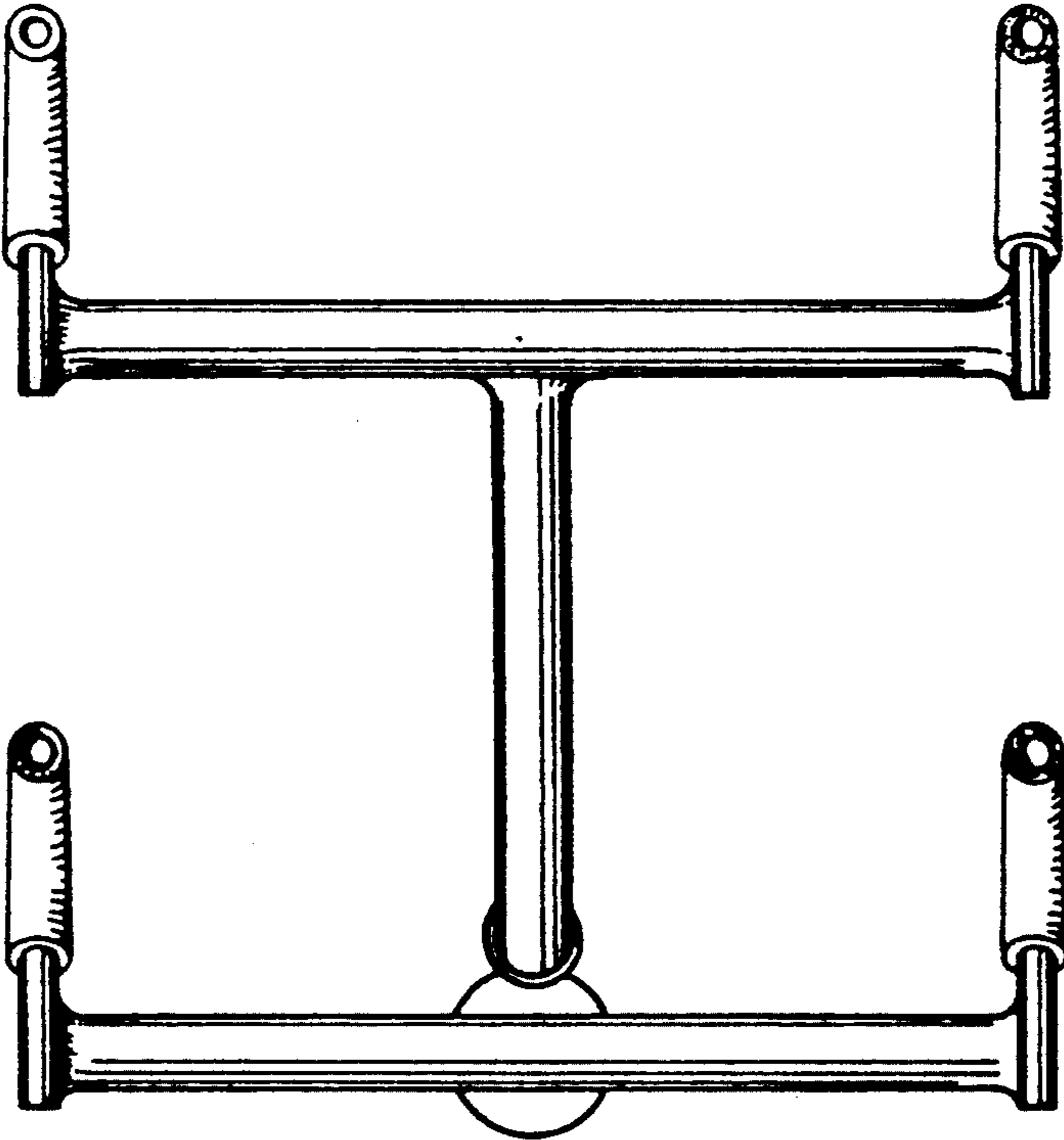


FIG. 5.