



US00D337071S

United States Patent [19] Hogue

[11] Patent Number: **Des. 337,071**

[45] Date of Patent: **** Jul. 6, 1993**

[54] **NOVELTY HEAD BANGING BOARD**

[76] Inventor: **Steven J. Hogue**, RR #1, P.O. Box 171, Solon, Iowa 52333

[**] Term: **14 Years**

[21] Appl. No.: **674,049**

[22] Filed: **Mar. 25, 1991**

[52] U.S. Cl. **D11/131; D11/132; D21/59; D21/191**

[58] Field of Search **D21/59, 191; D11/131, D11/132; D29/10; 242/96, 77; 482/144, 141; 108/14**

[56] **References Cited**

U.S. PATENT DOCUMENTS

D. 299,502	1/1989	Streiler	D21/191
2,829,705	4/1958	Godsholk et al.	108/14
4,789,046	12/1988	McDowall	D29/10 X

OTHER PUBLICATIONS

"The Ironmonger" Catalog; 1974; p. 8; Cabinet Handle #548/110.

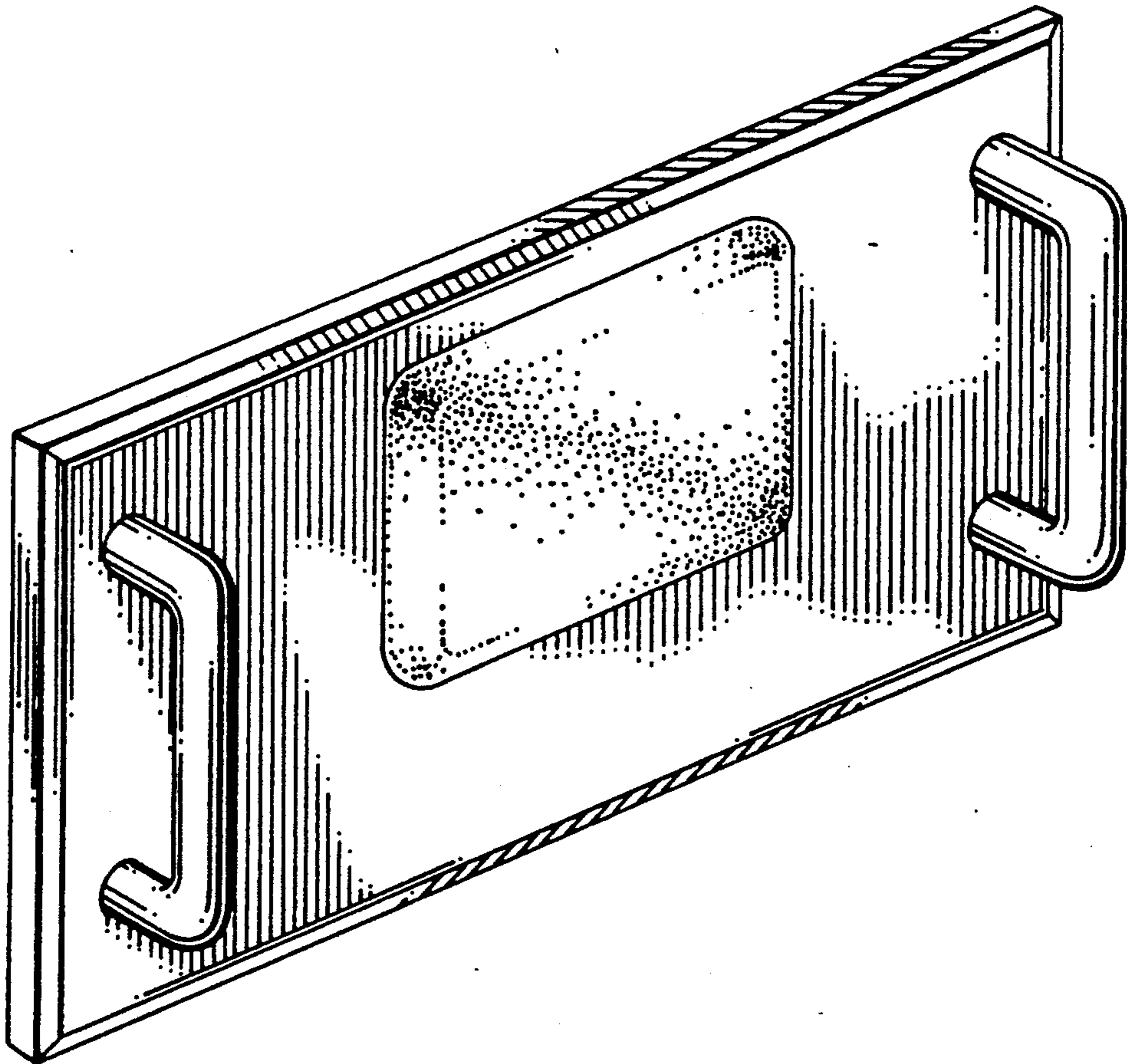
Primary Examiner—Bernard Ansher
Assistant Examiner—Dominic Simone

[57] **CLAIM**

The ornamental design for a novelty head banging board, as shown and described.

DESCRIPTION

FIG. 1 is a perspective view of a novelty head banging board showing my new design; FIG. 2 is a top plan view thereof; FIG. 3 is a front elevational view thereof, the rear elevational view being identical thereto; FIG. 4 is a right side elevational view thereof, the left side elevational view being a mirror image thereof; and, FIG. 5 is a bottom plan view thereof.



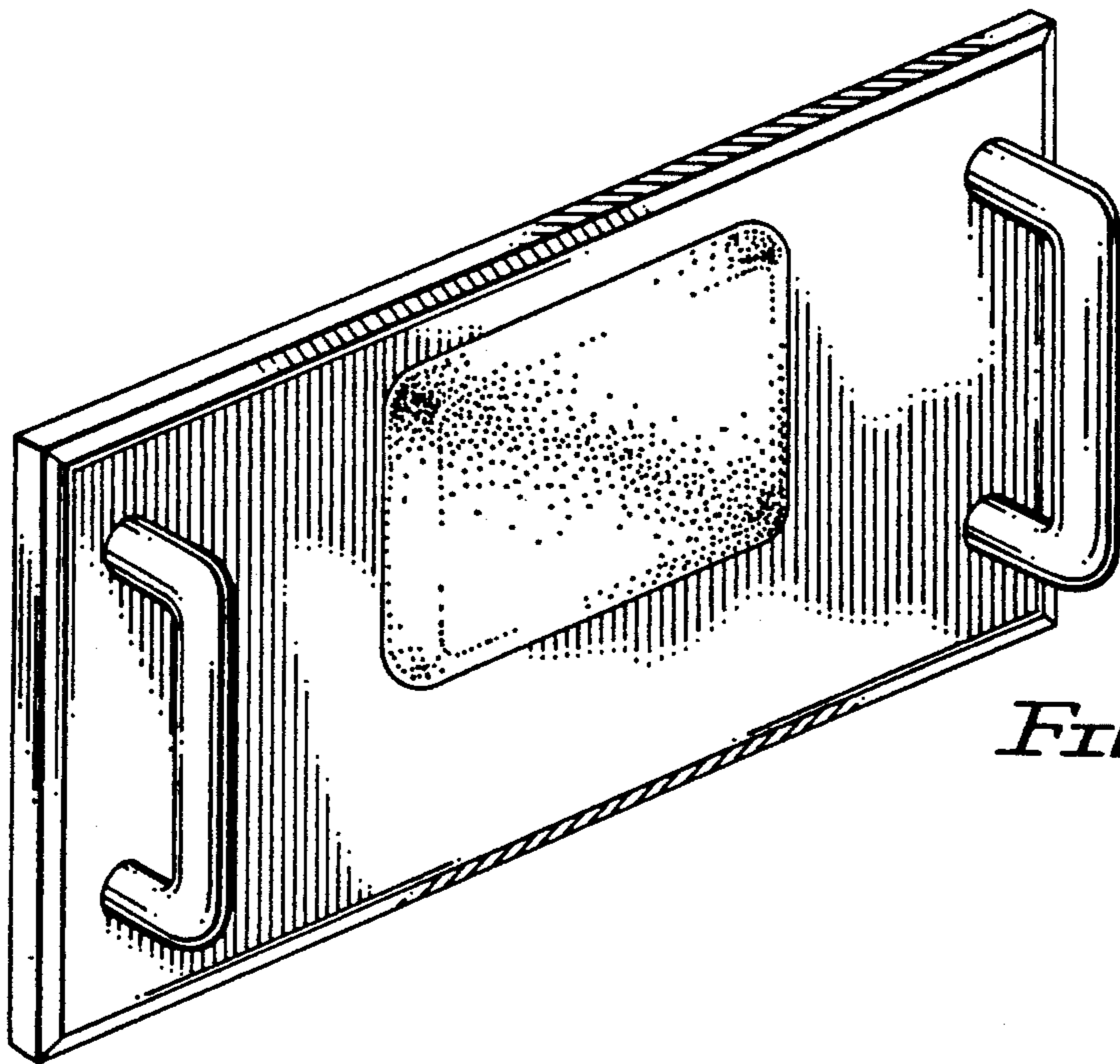


FIG. 1

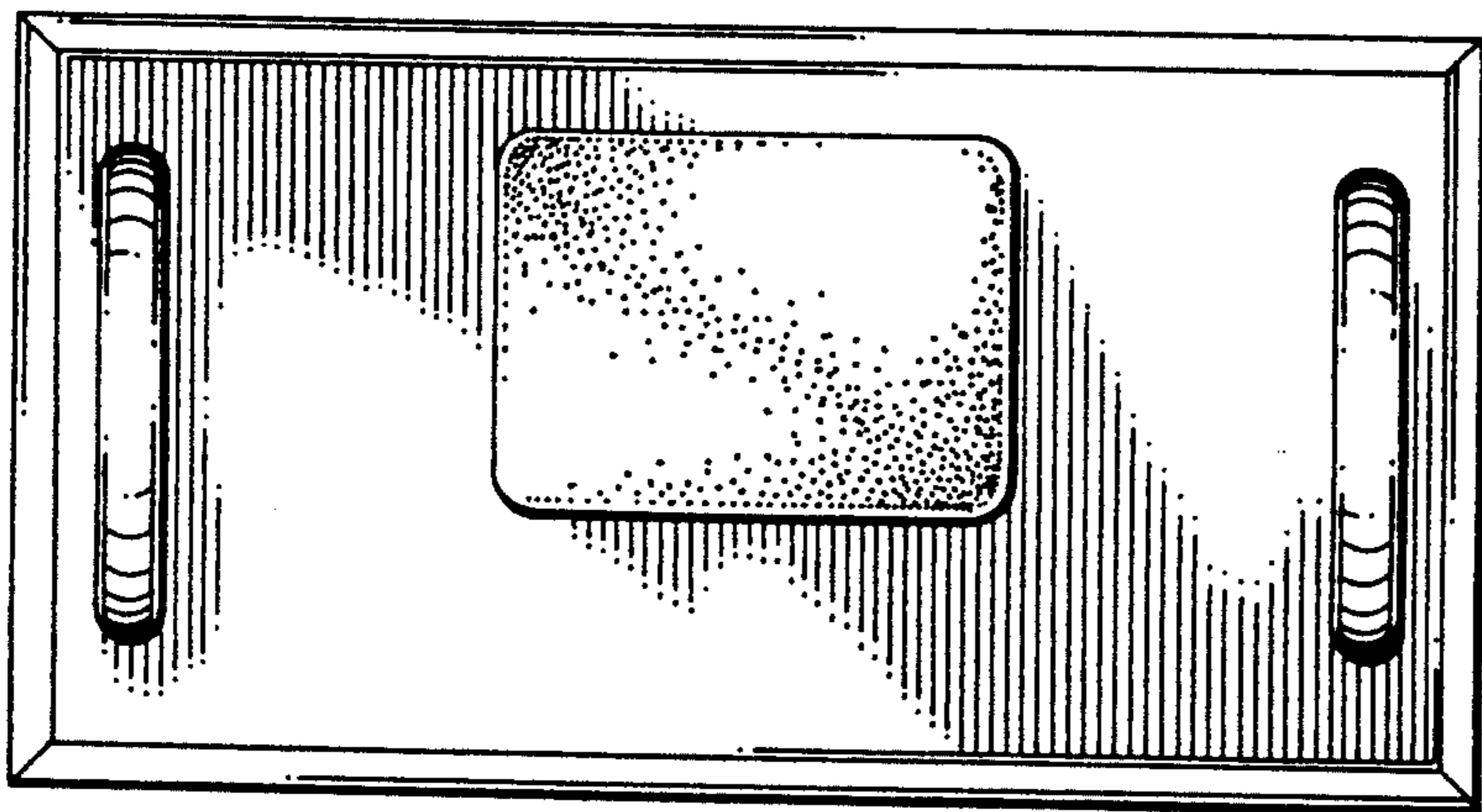


FIG. 2

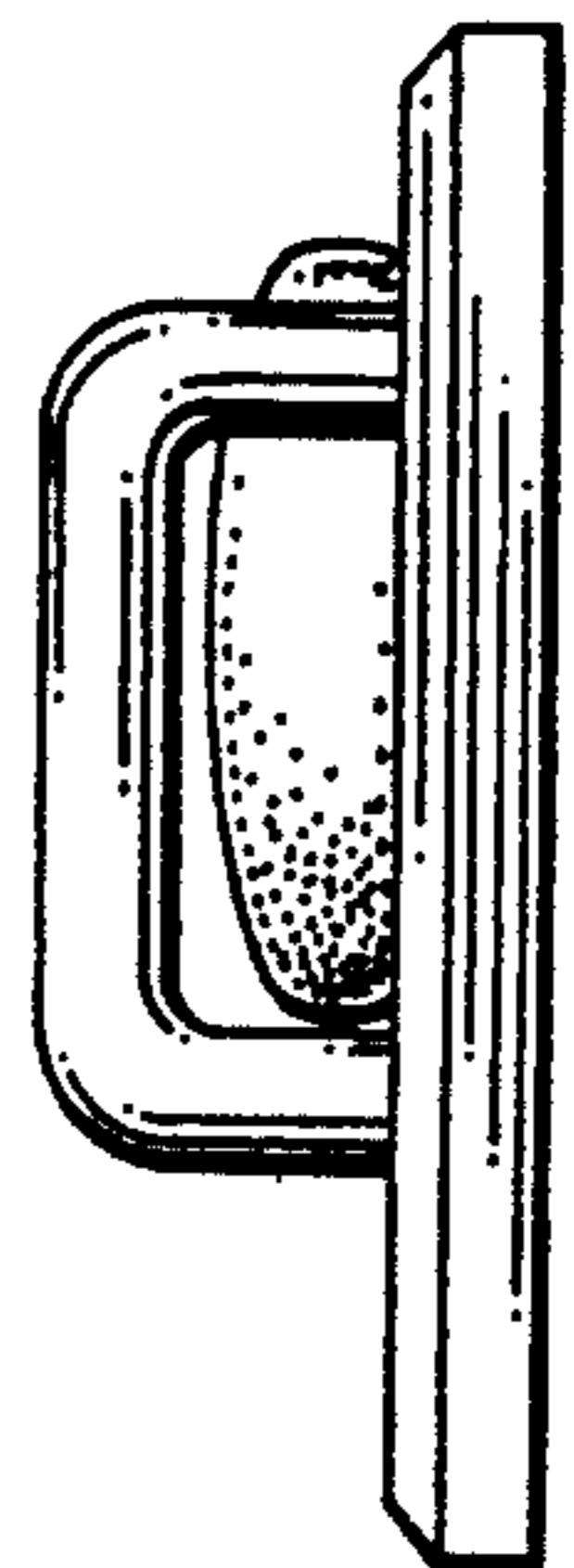


FIG. 4

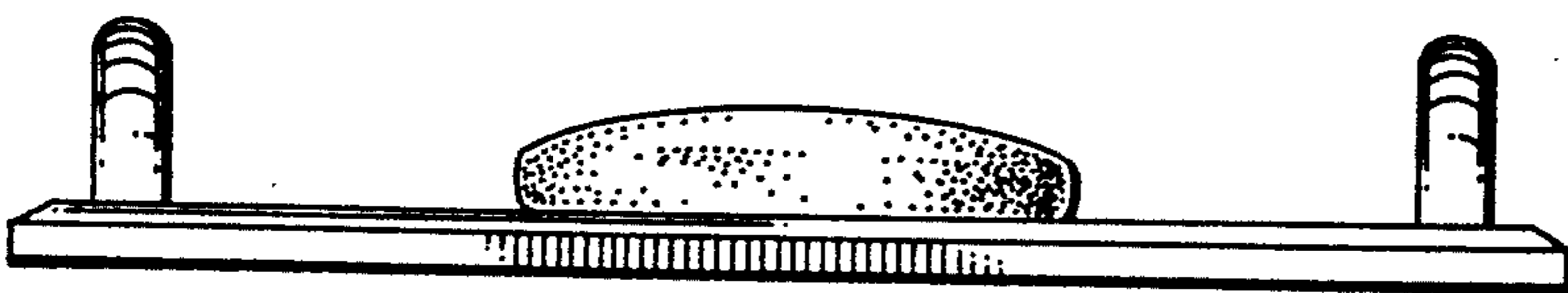


FIG. 3

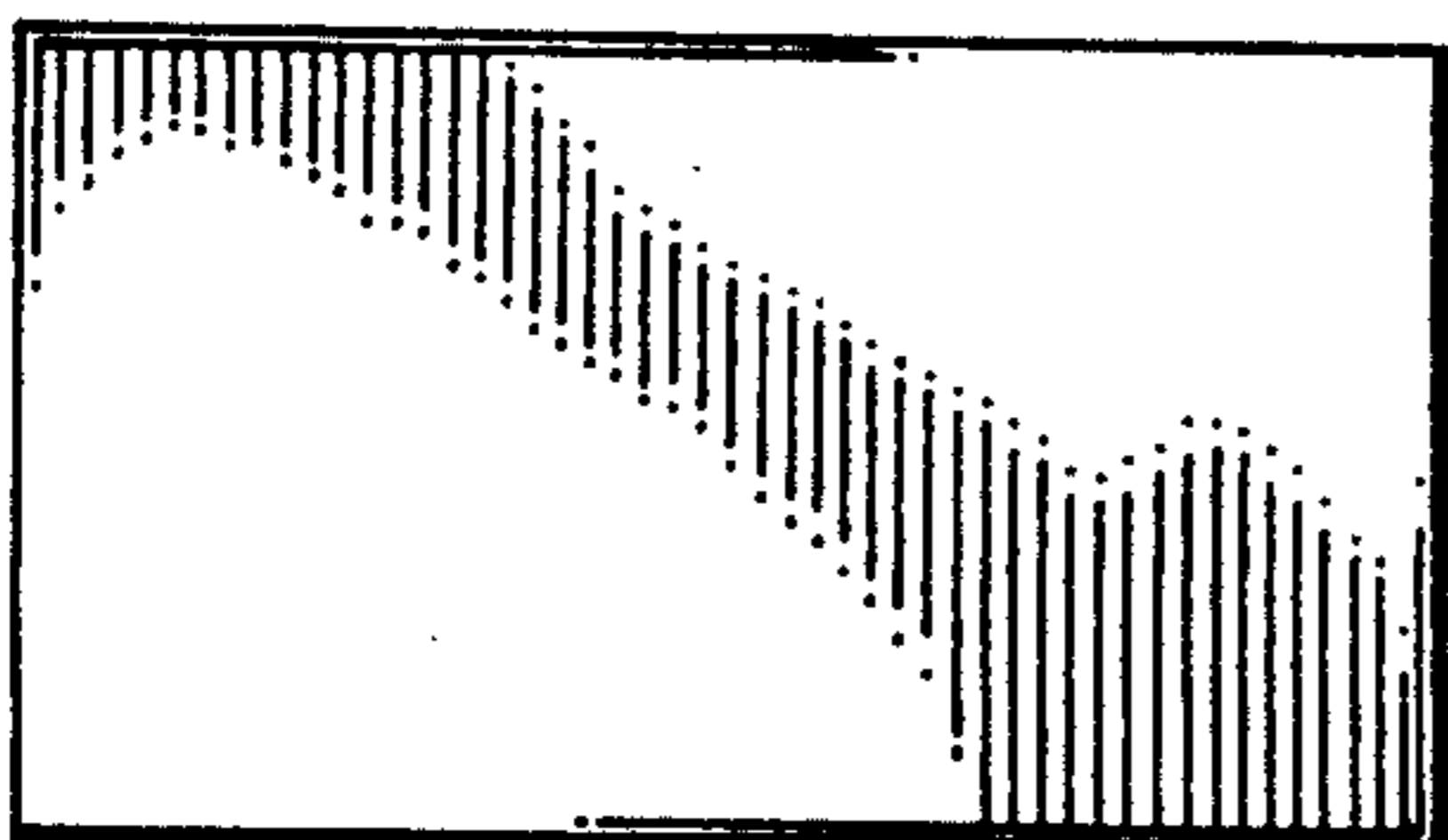


FIG. 5