



US00D337065S

United States Patent [19]
Wright et al.

[11] **Patent Number: Des. 337,065**
[45] **Date of Patent: ** Jul. 6, 1993**

[54] **PITOT TUBE COVER**
[75] **Inventors: H. Burk Wright; Jay Miller, both of Sierra Madre, Calif.**
[73] **Assignee: Western Filament, Glendale, Calif.**
[**] **Term: 14 Years**
[21] **Appl. No.: 524,096**
[22] **Filed: May 14, 1990**
[52] **U.S. Cl. D10/103**
[58] **Field of Search D10/94, 96, 103; 73/182, 861.65, 861.66, 198; 150/156, 154, 166, 197; 244/1 R, 129.1, 129.4, 121**

5,114,098 5/1992 Campbell 244/1 R X
5,127,265 7/1992 Williamson et al. 244/1 R X

Primary Examiner—Alan P. Douglas
Assistant Examiner—Antoine D. Davis
Attorney, Agent, or Firm—Robbins, Delgarn, Berliner & Carson

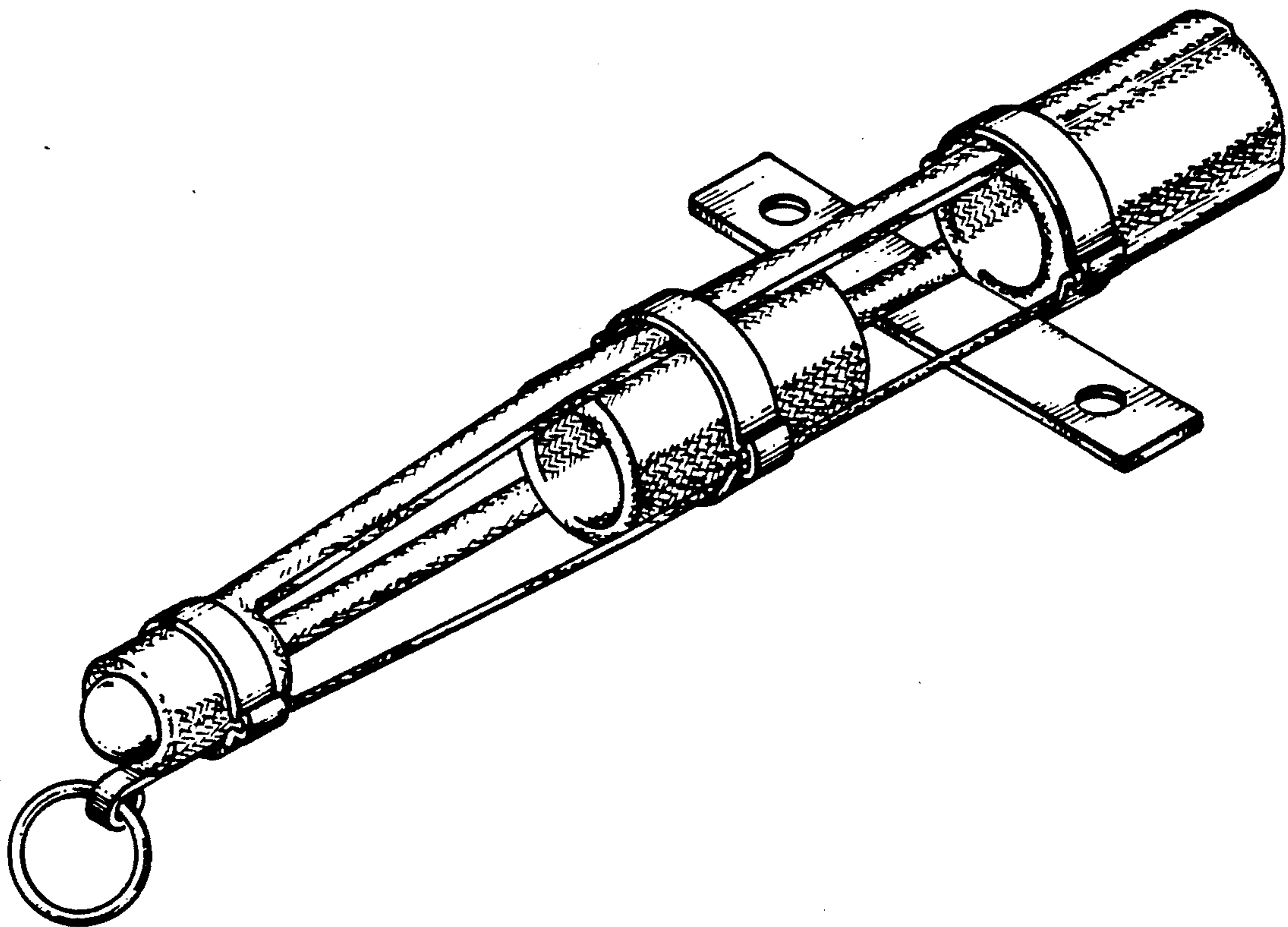
[57] **CLAIM**

The ornamental design for a pitot tube cover, as shown and described.

DESCRIPTION

FIG. 1 is a perspective front top right side view of the pitot tube cover of this invention; FIG. 2 is a bottom plan view thereon; FIG. 3 is a front elevation view thereof; FIG. 4 is a rear elevation view thereof; FIG. 5 is a top plan view thereof; and, FIG. 6 is a right side elevation view thereof, the left side being a mirror image.

[56] **References Cited**
U.S. PATENT DOCUMENTS
2,744,382 5/1956 Sokol et al. 244/129.4 X
2,786,353 3/1957 Slabaugh 73/182
5,026,001 6/1991 Wright et al. 73/861.65 X



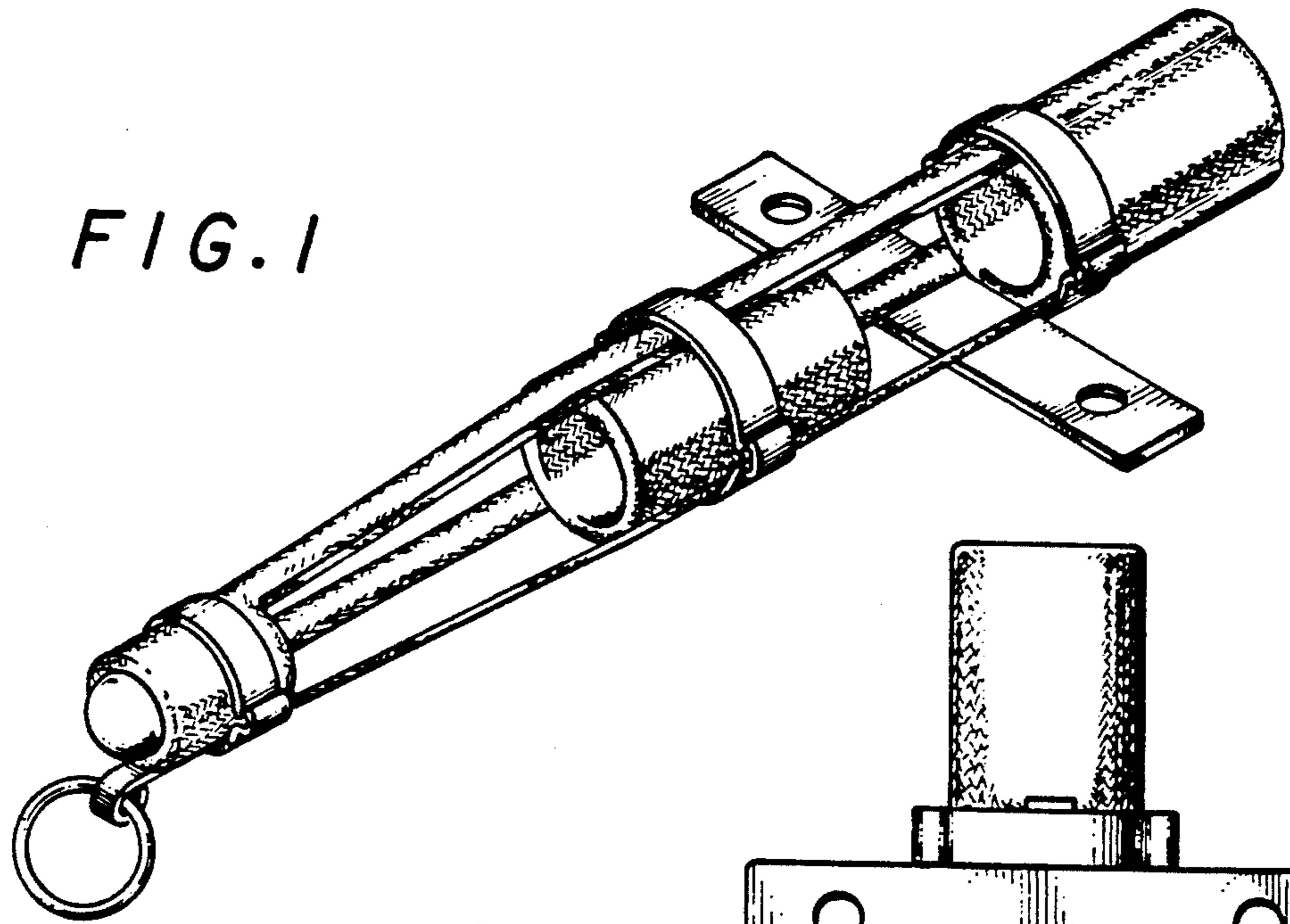
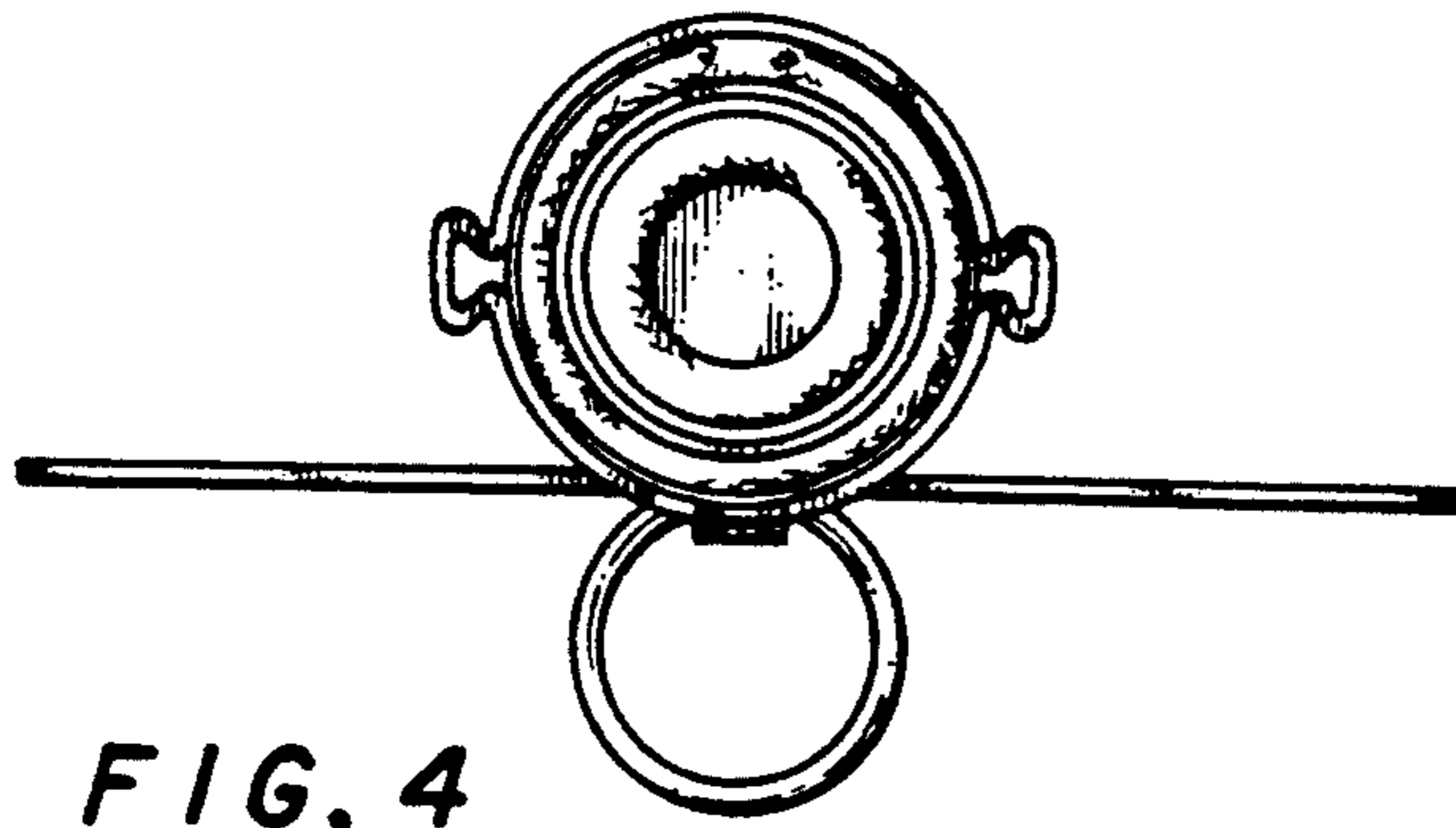
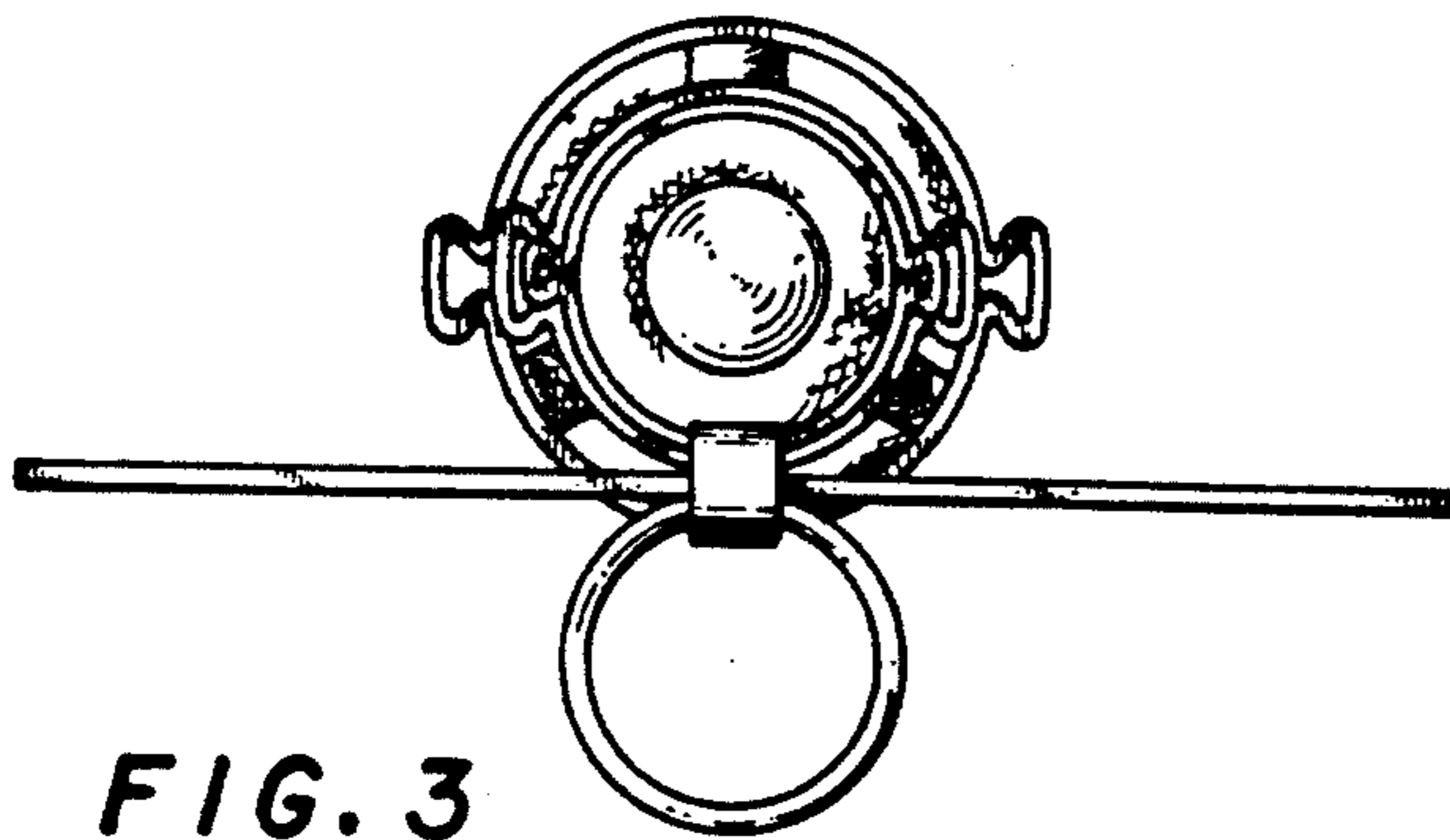
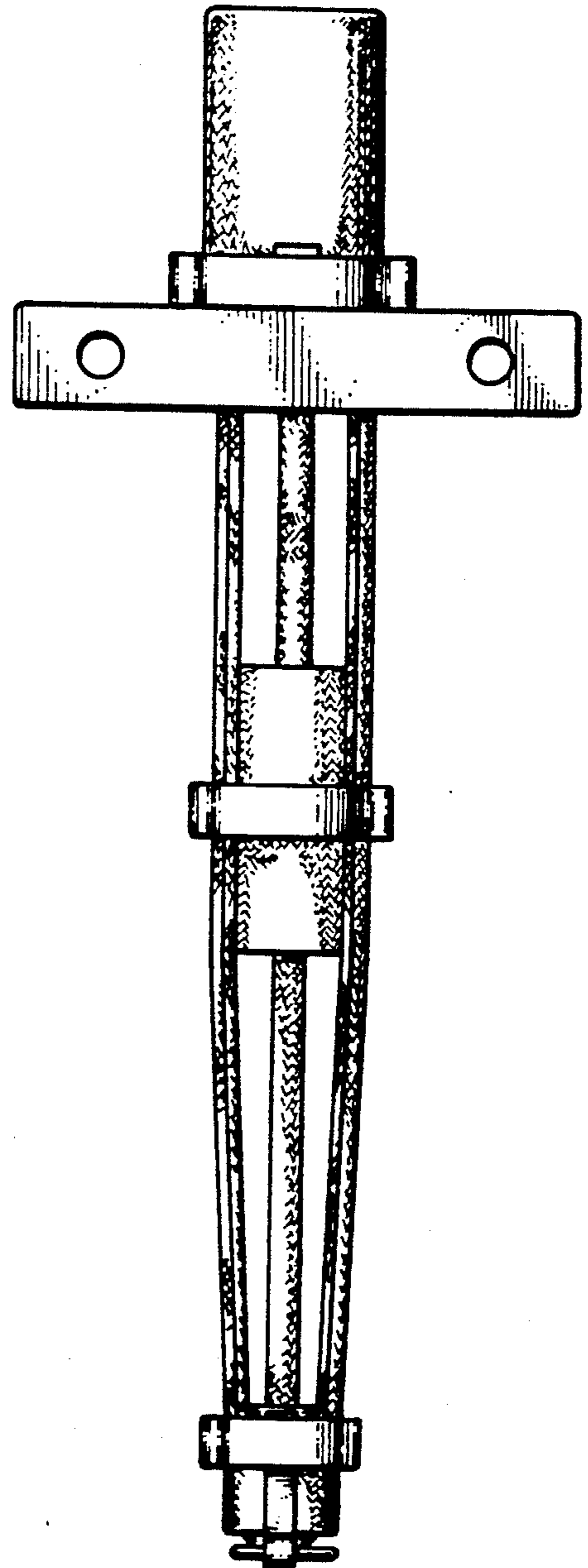


FIG. 2



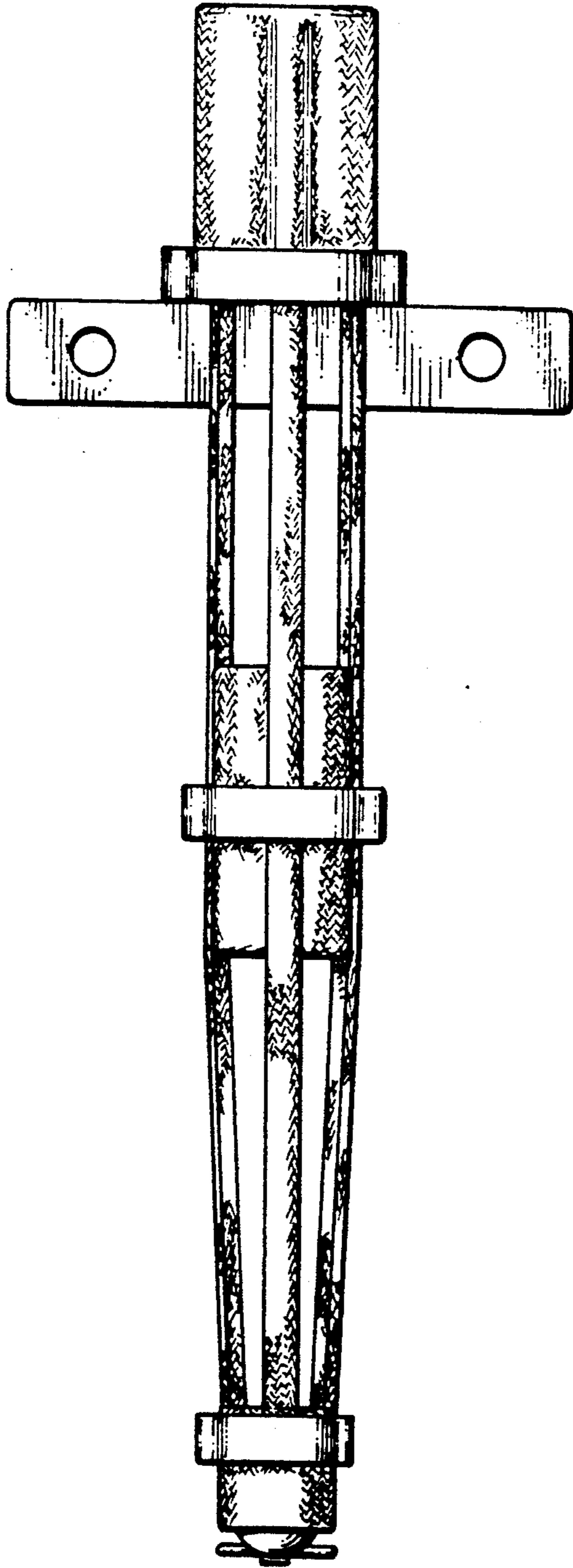


FIG. 5

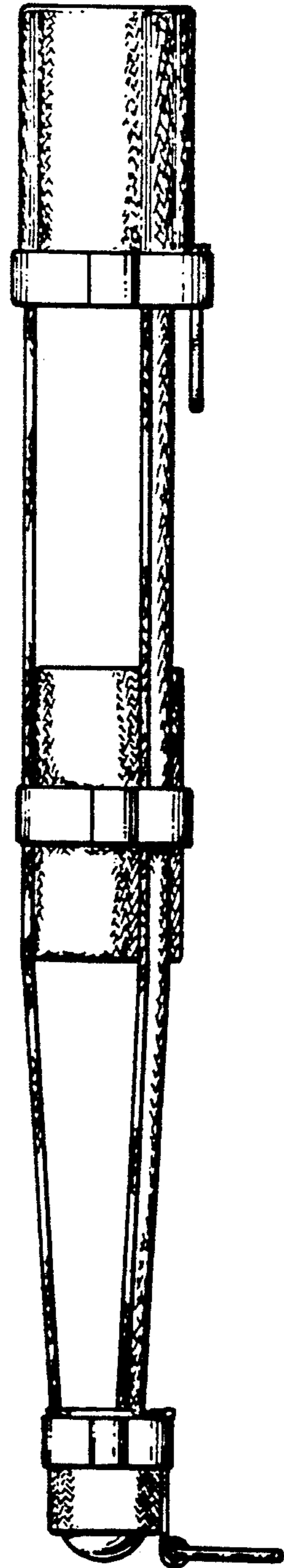


FIG. 6