



US00D337061S

United States Patent [19]

[11] Patent Number: **Des. 337,061**

Haggett

[45] Date of Patent: **** Jul. 6, 1993**

[54] **SENSOR FOR USE IN LOADING AND UNLOADING BOATS**

4,641,851 2/1987 Knies 114/344 X
4,790,197 12/1988 Kimonides 73/864.65

[76] Inventor: **Rodney K. Haggett**, Rte. 2 Box 305, Piedmont, Mo. 63957

FOREIGN PATENT DOCUMENTS

[**] Term: **14 Years**

932294 1/1956 Fed. Rep. of Germany .
1001323 8/1965 United Kingdom .

[21] Appl. No.: **718,866**

Primary Examiner—Alan P. Douglas
Assistant Examiner—Antoine D. Davis

[22] Filed: **Jun. 21, 1991**

[57] CLAIM

[52] U.S. Cl. **D10/65; D10/101**

The ornamental design for a sensor for use in loading and unloading boats, as shown and described.

[58] Field of Search **D10/46, 60, 61, 62, D10/64, 65, 78, 101; 33/719; 73/864.64, 864.65, 864.66, 1 E, 427, 428; 114/344**

DESCRIPTION

[56] References Cited

FIG. 1 is a perspective view of the sensor for use in loading and unloading boats embodying the design of the present invention;

U.S. PATENT DOCUMENTS

D. 236,594 9/1975 Smith, Jr. D10/78
3,302,464 2/1967 Langguth 73/864.65 X
3,742,534 7/1973 Guest 114/344
4,367,657 1/1983 Ward 73/864.65 X
4,553,897 11/1985 Briggs 114/344
4,641,598 2/1987 Hodges 114/344

FIG. 2 is a front elevational view thereof;

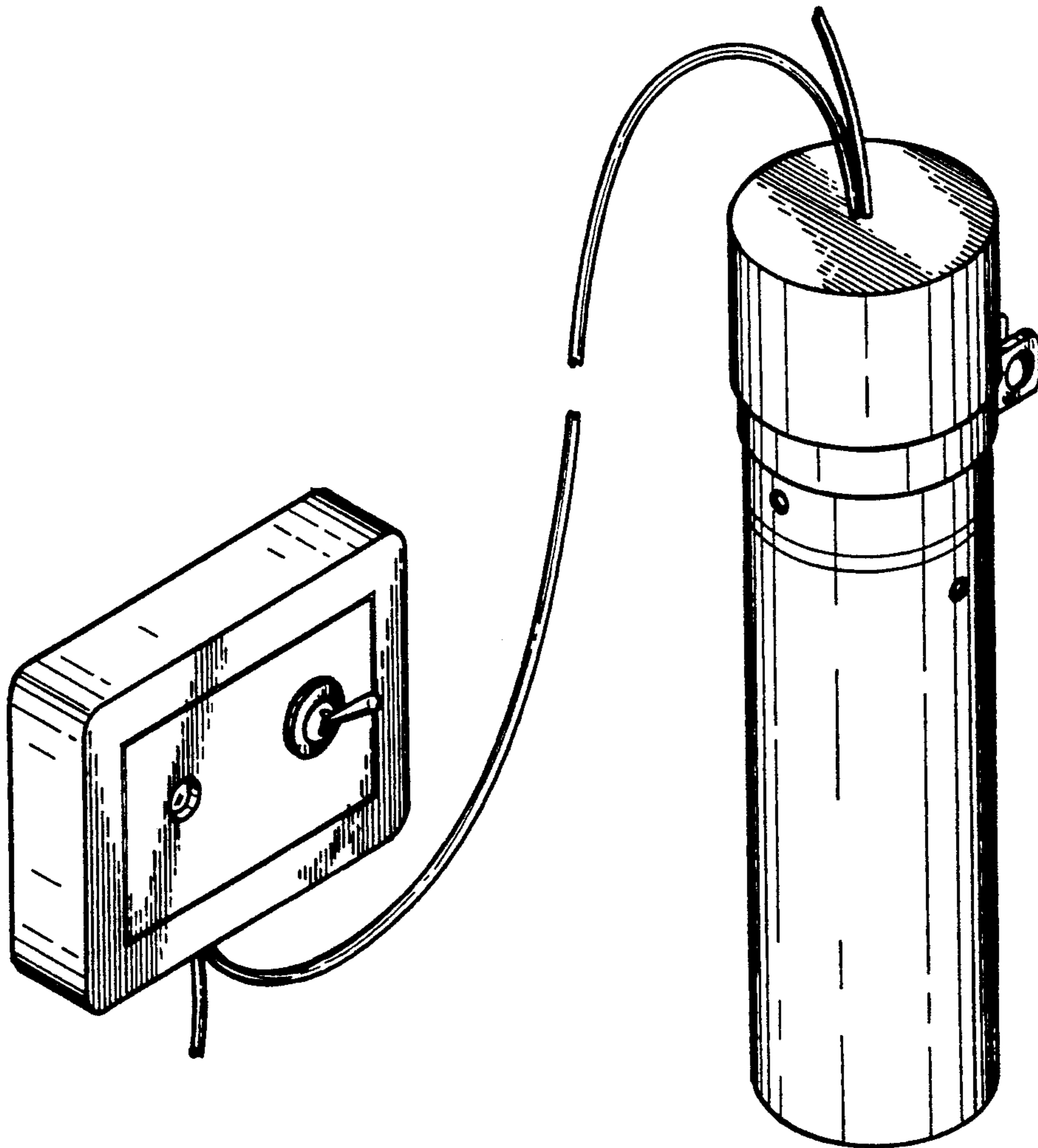
FIG. 3 is a rear elevational view thereof;

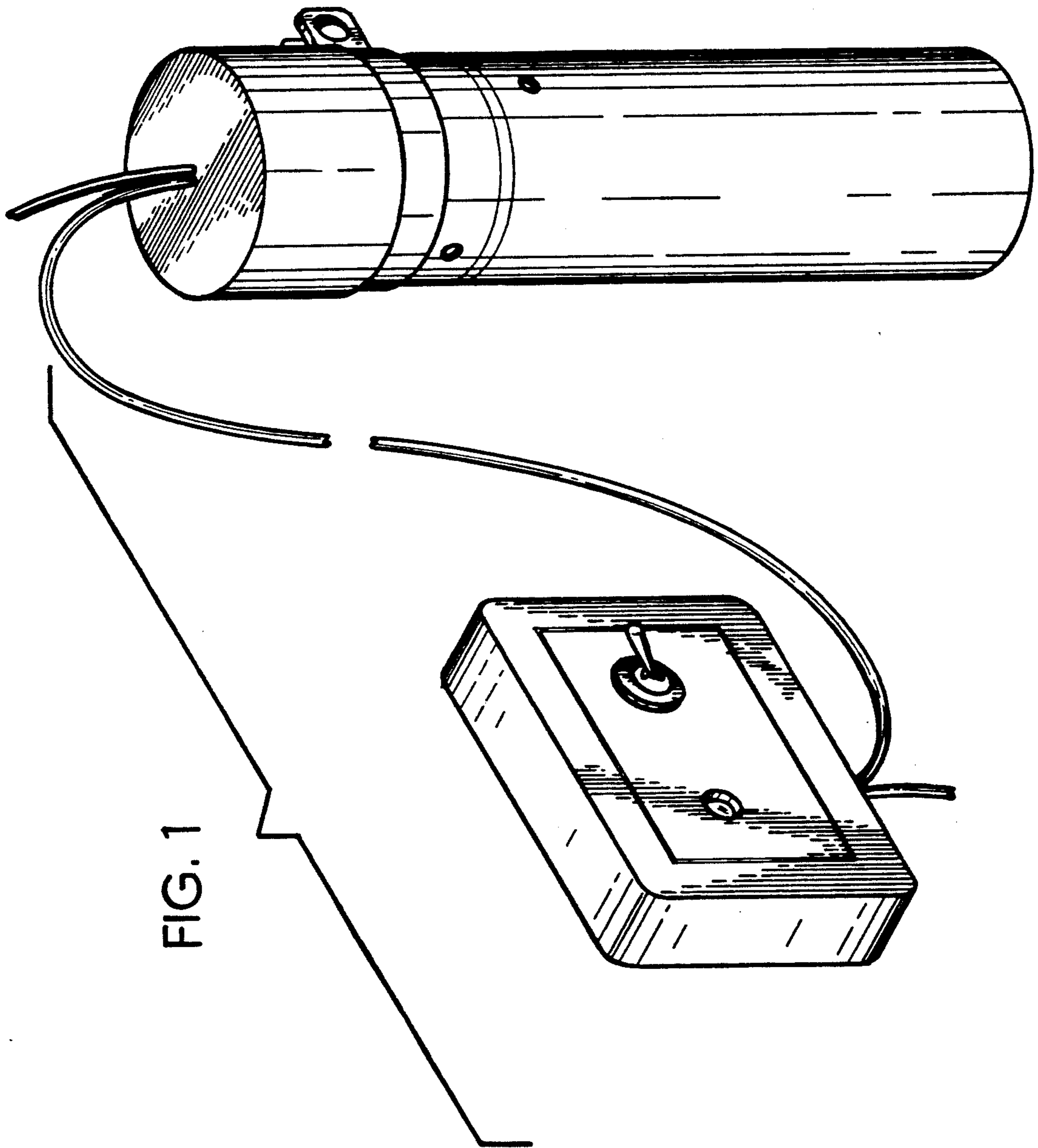
FIG. 4 is a side elevational view thereof;

FIG. 5 is a side elevational view thereof;

FIG. 6 is a top plan view thereof; and,

FIG. 7 is a bottom view thereof.





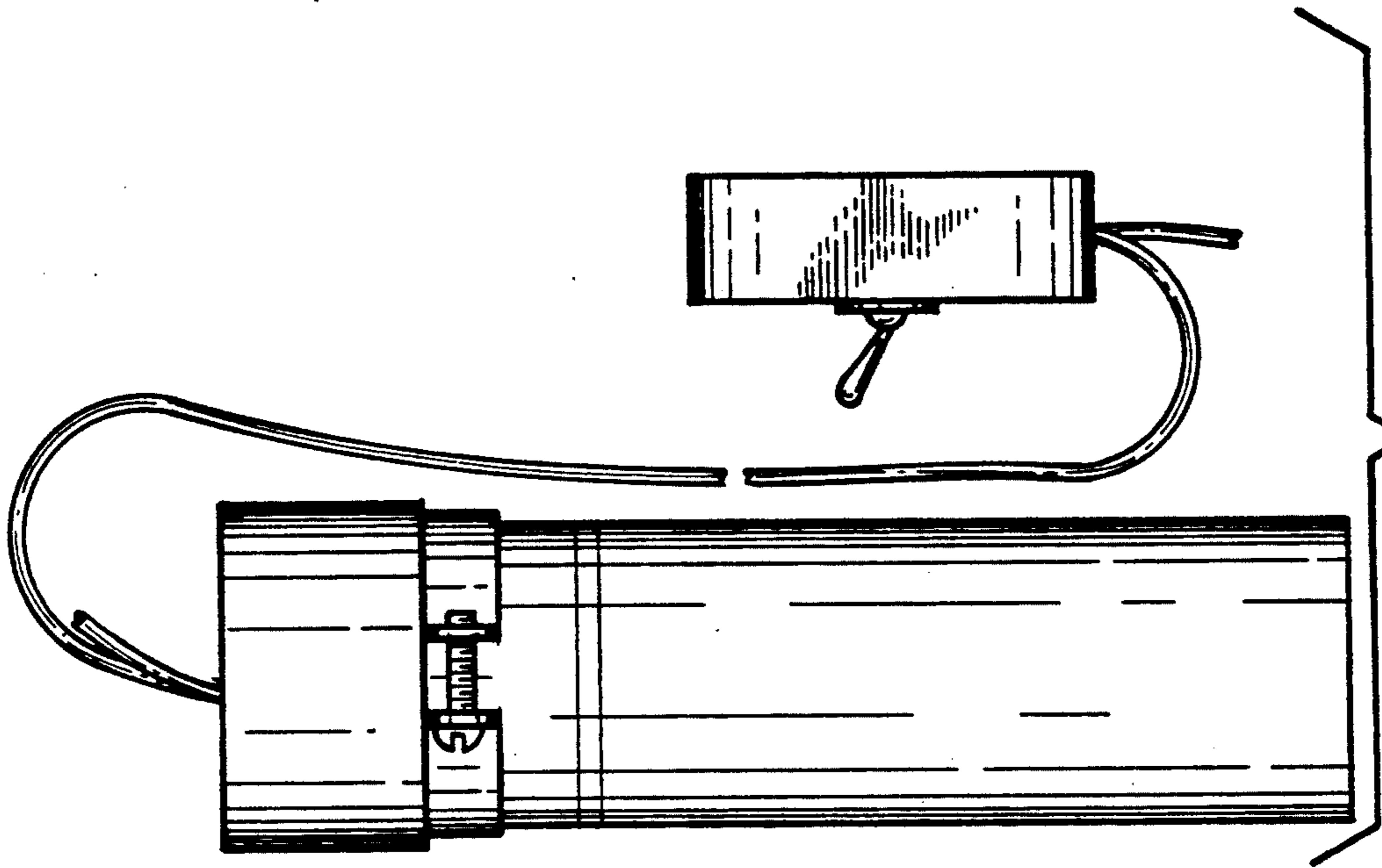


FIG. 2

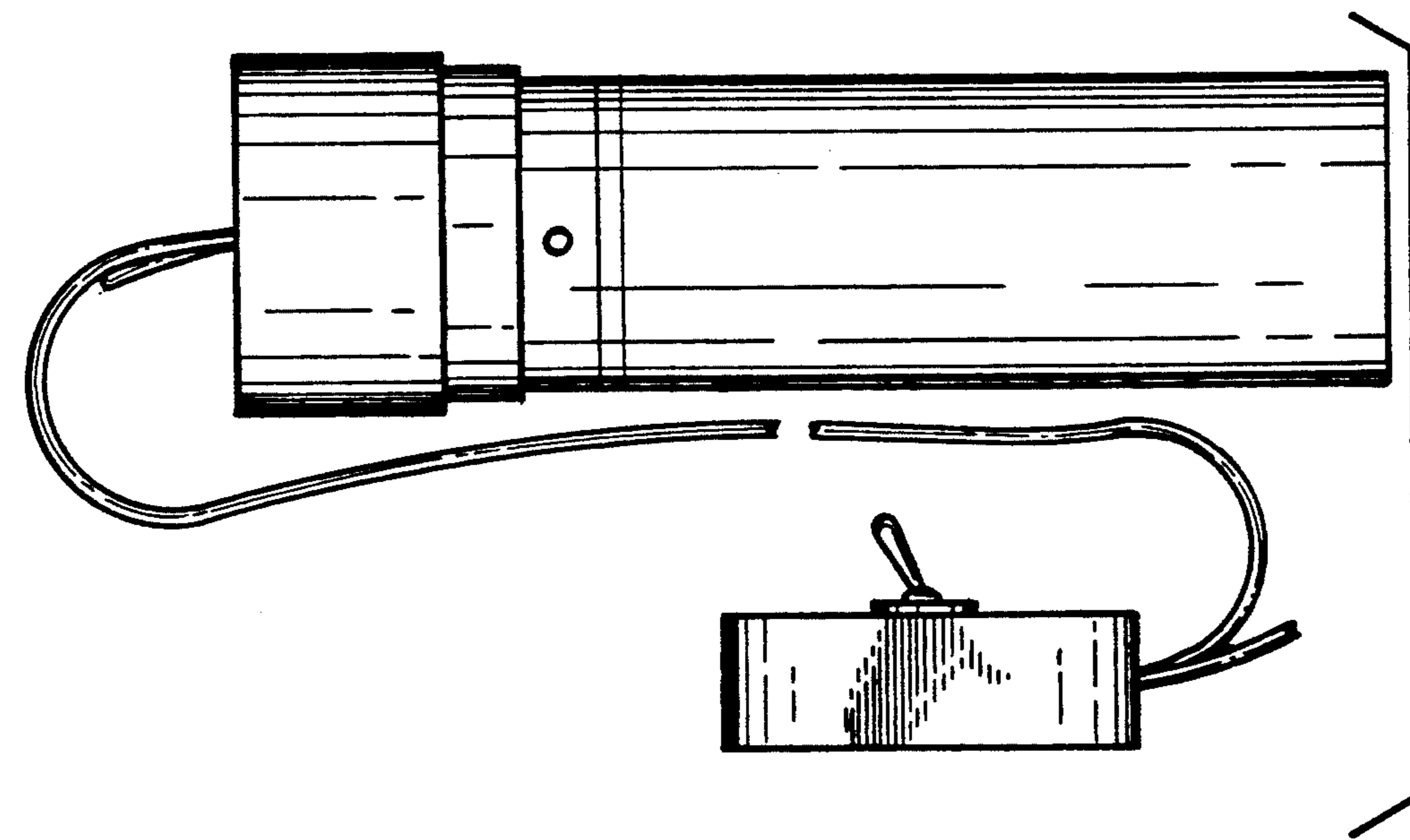


FIG. 3

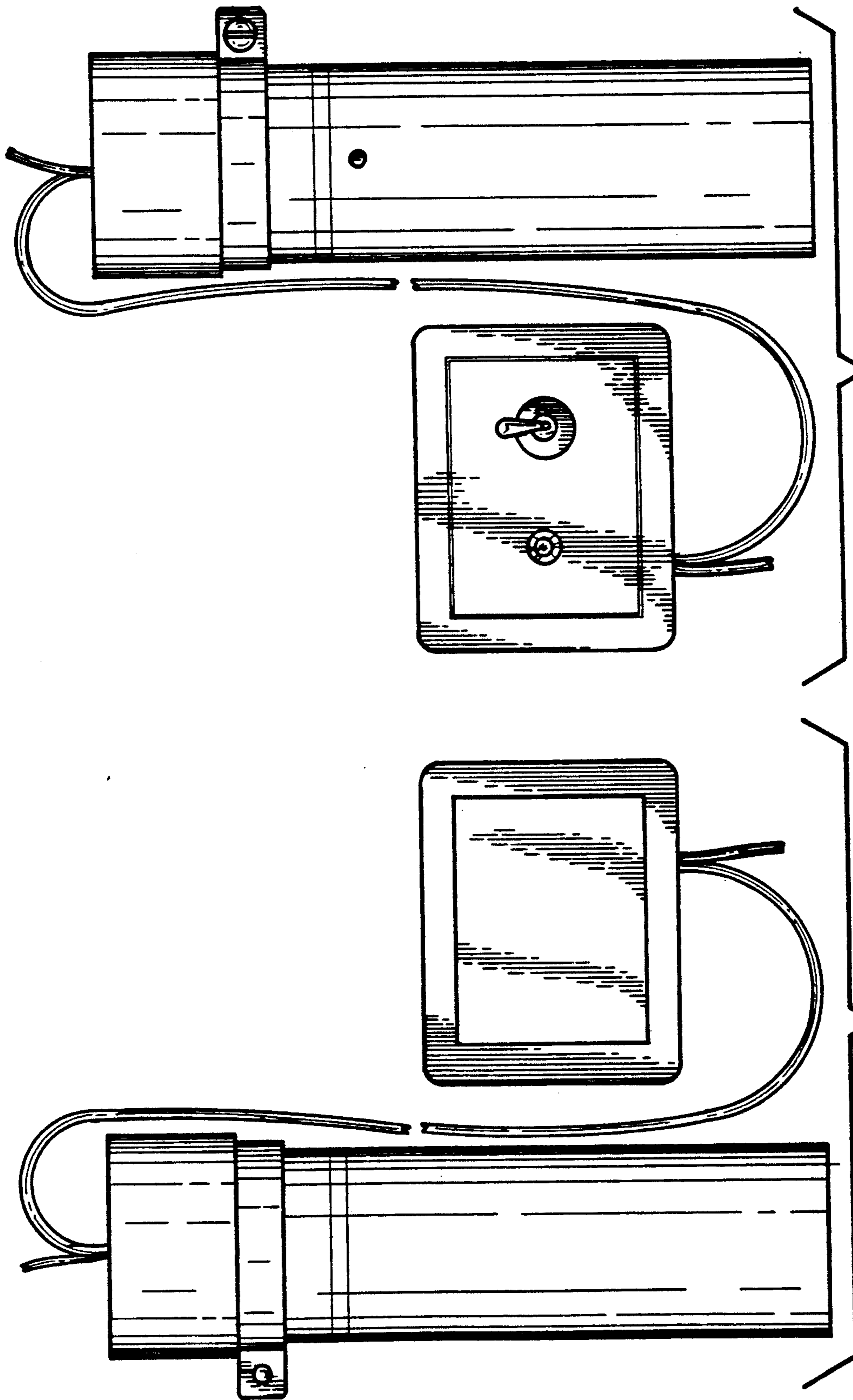


FIG. 5

FIG. 4

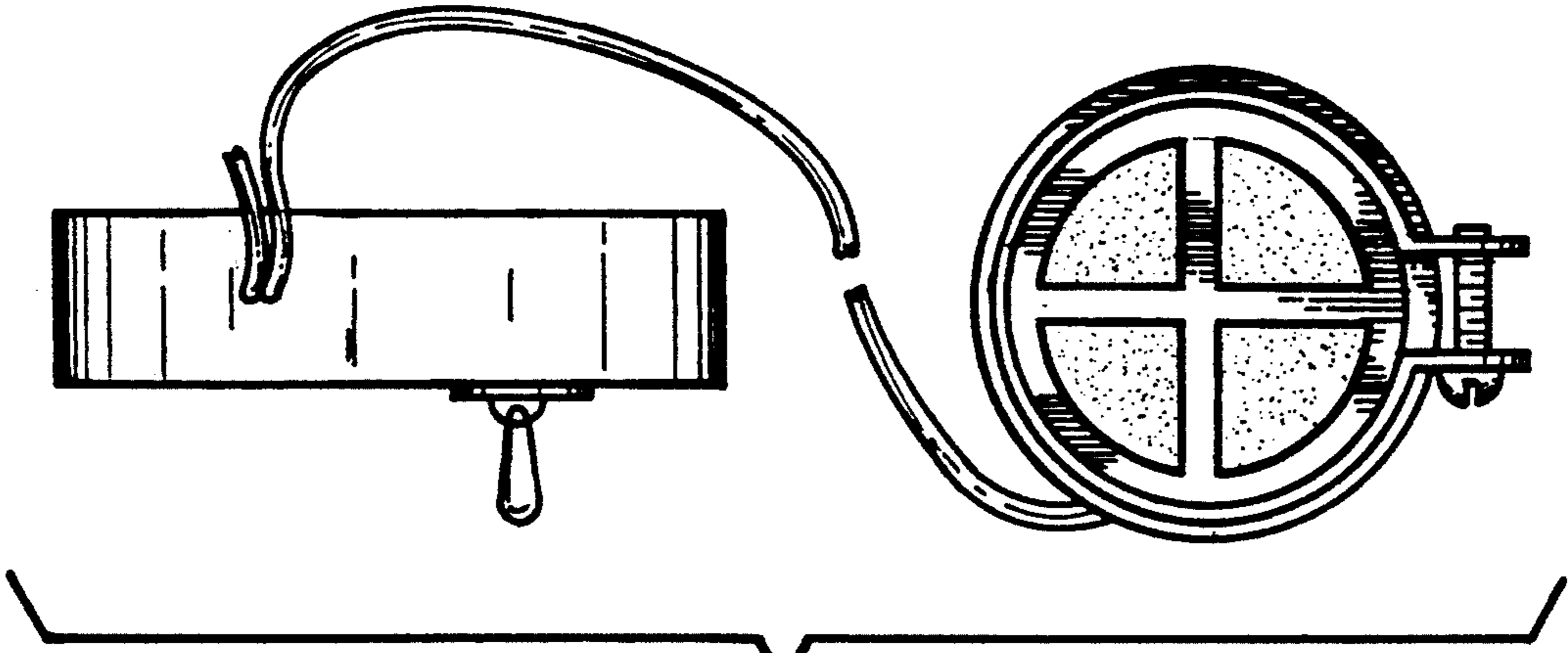


FIG. 7

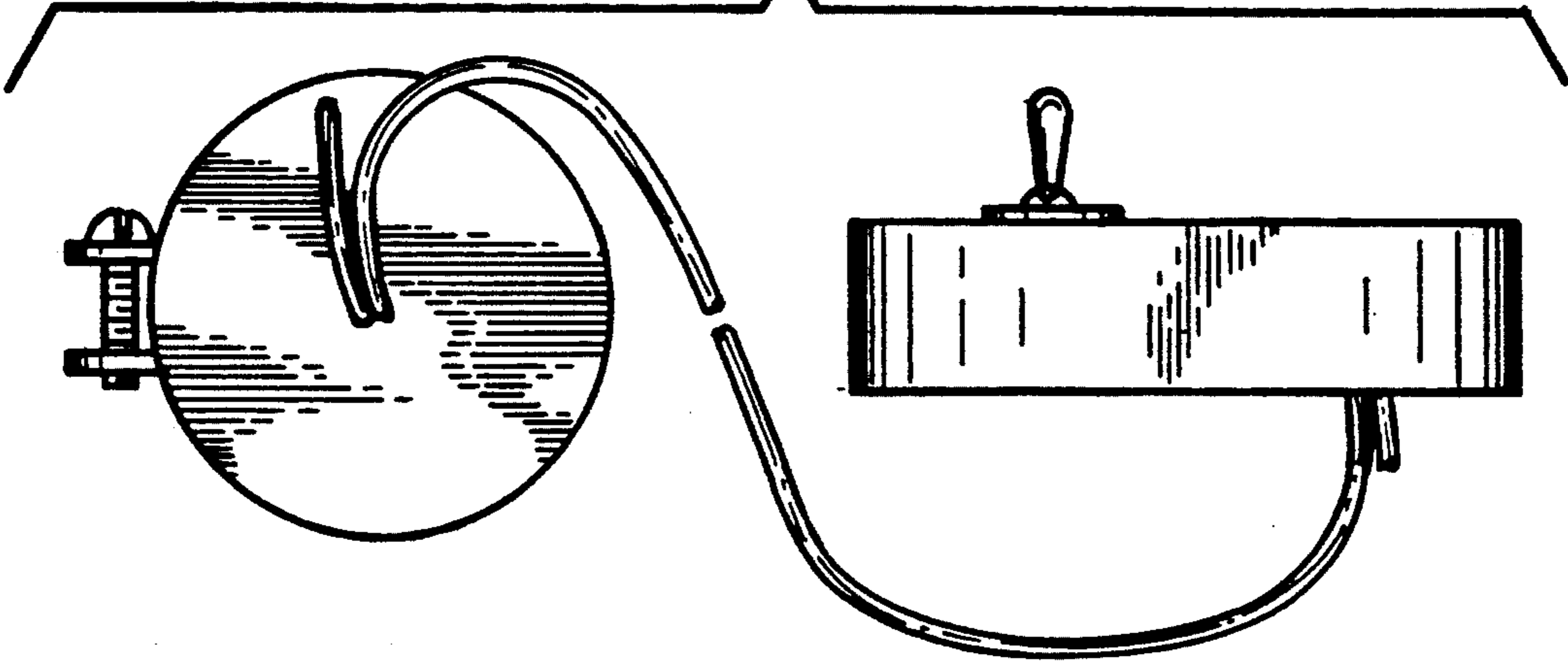


FIG. 6