



US00D337060S

United States Patent [19]
Crafoord

[11] **Patent Number: Des. 337,060**

[45] **Date of Patent: ** Jul. 6, 1993**

[54] **ARTICULATING ARM**

[75] **Inventor: Carl-Goran Crafoord, Bromma, Sweden**

[73] **Assignee: Car-O-Liner Company, Wixom, Mich.**

[**] **Term: 14 Years**

[21] **Appl. No.: 660,576**

[22] **Filed: Feb. 22, 1991**

[30] **Foreign Application Priority Data**

Feb. 28, 1990 [SE] Sweden 90-0443

[52] **U.S. Cl. D10/65**

[58] **Field of Search D10/61, 62, 65, 70, D10/71, 78, 80; D15/138-143; 33/1 M, 289, 503, 608, 833**

[56] **References Cited**

U.S. PATENT DOCUMENTS

5,131,257 7/1992 Mingardi 33/608 X

5,148,377 9/1992 McDonald 33/608 X
5,148,600 9/1992 Chen et al. 33/503 X
5,152,070 10/1992 Sorokes 33/503 X

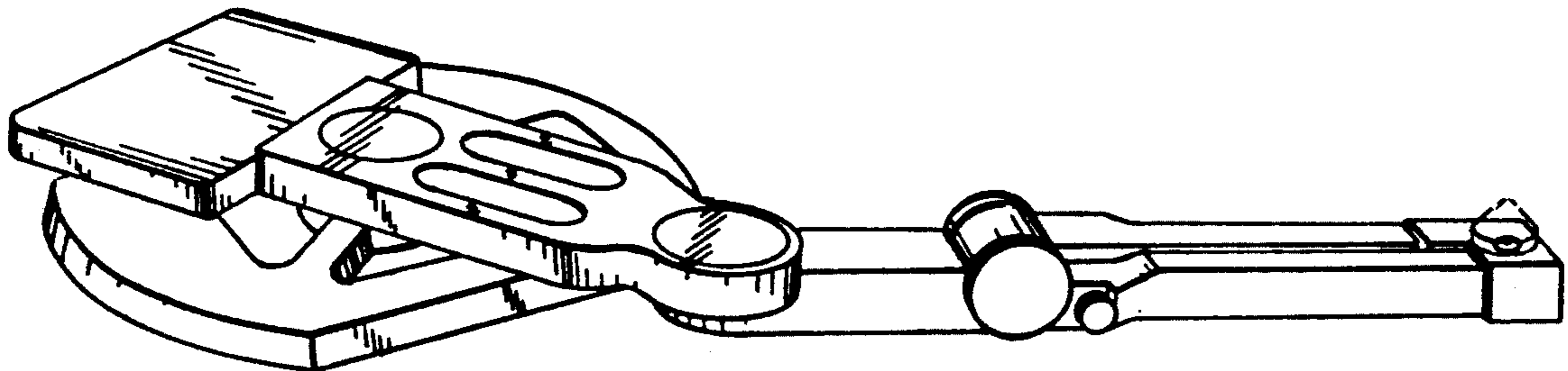
Primary Examiner—Alan P. Douglas
Assistant Examiner—A. D. Davis
Attorney, Agent, or Firm—Barnes, Kisselle, Raisch, Choate, Whittemore & Hulbert

[57] **CLAIM**

The ornamental design for an articulating arm, as shown.

DESCRIPTION

FIG. 1 is a perspective view of an articulating arm showing my new design;
FIG. 2 is a top plan view;
FIG. 3 is a bottom plan view;
FIG. 4 is a left side elevational view; and,
FIG. 5 is a right side elevation view thereof.
The conical shaped element disposed in FIGS. 1, 2, 4 and 5 shown in broken line is for illustrative purposes only and form no part of the claimed design.



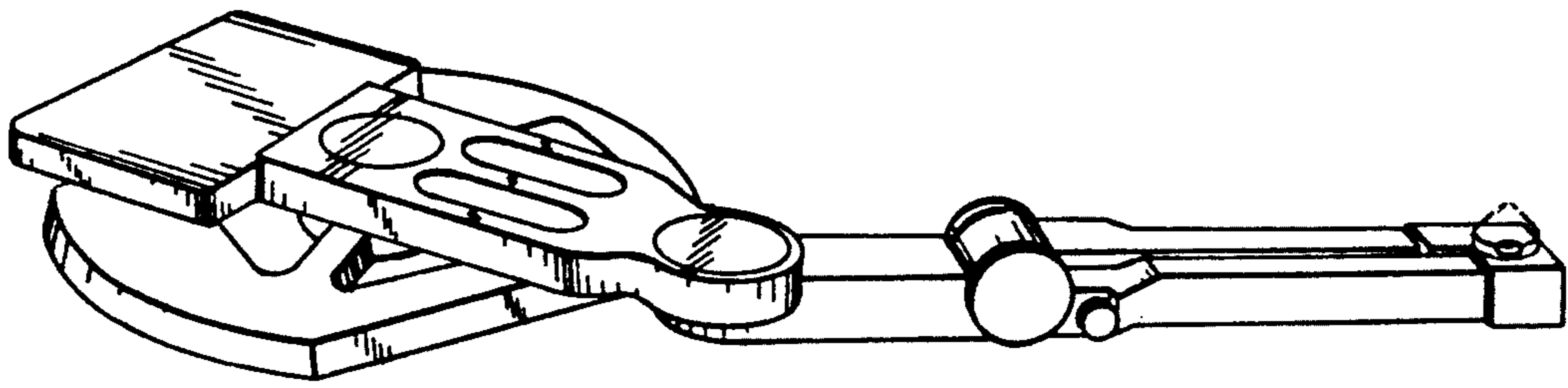


FIG. 1

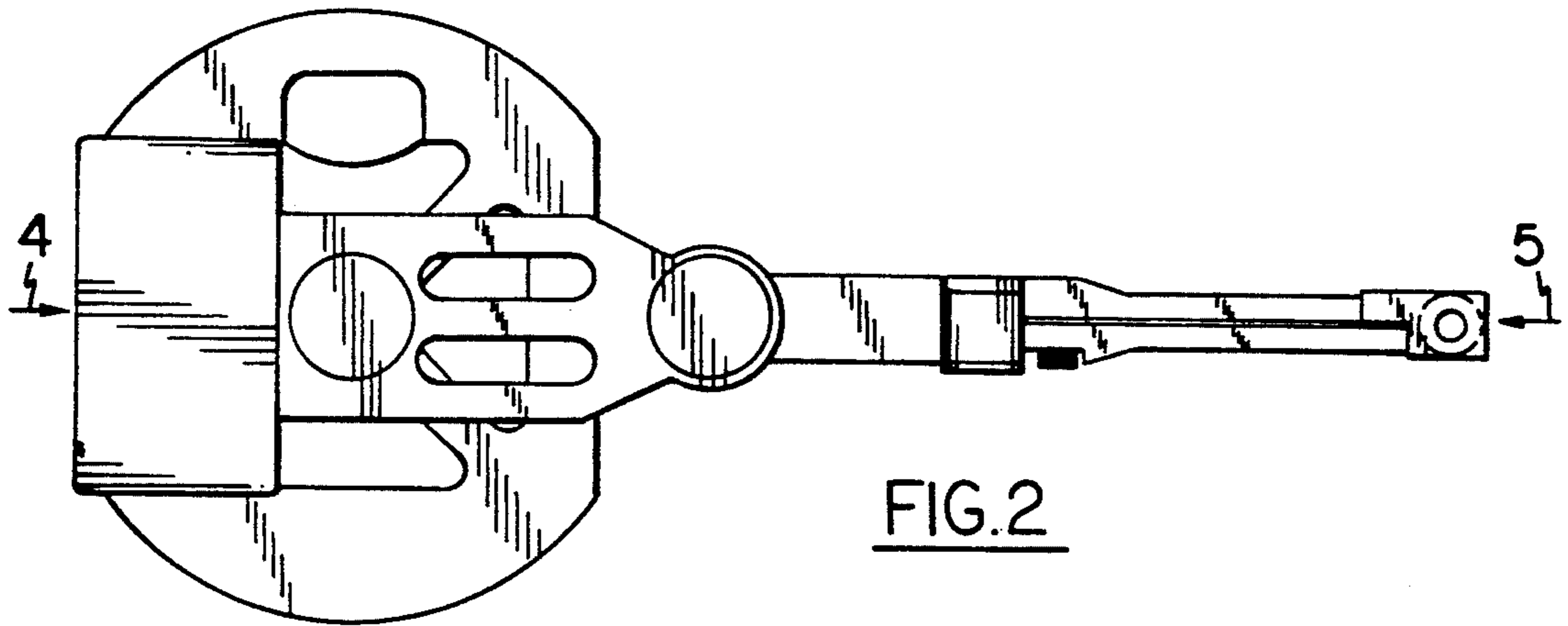


FIG. 2

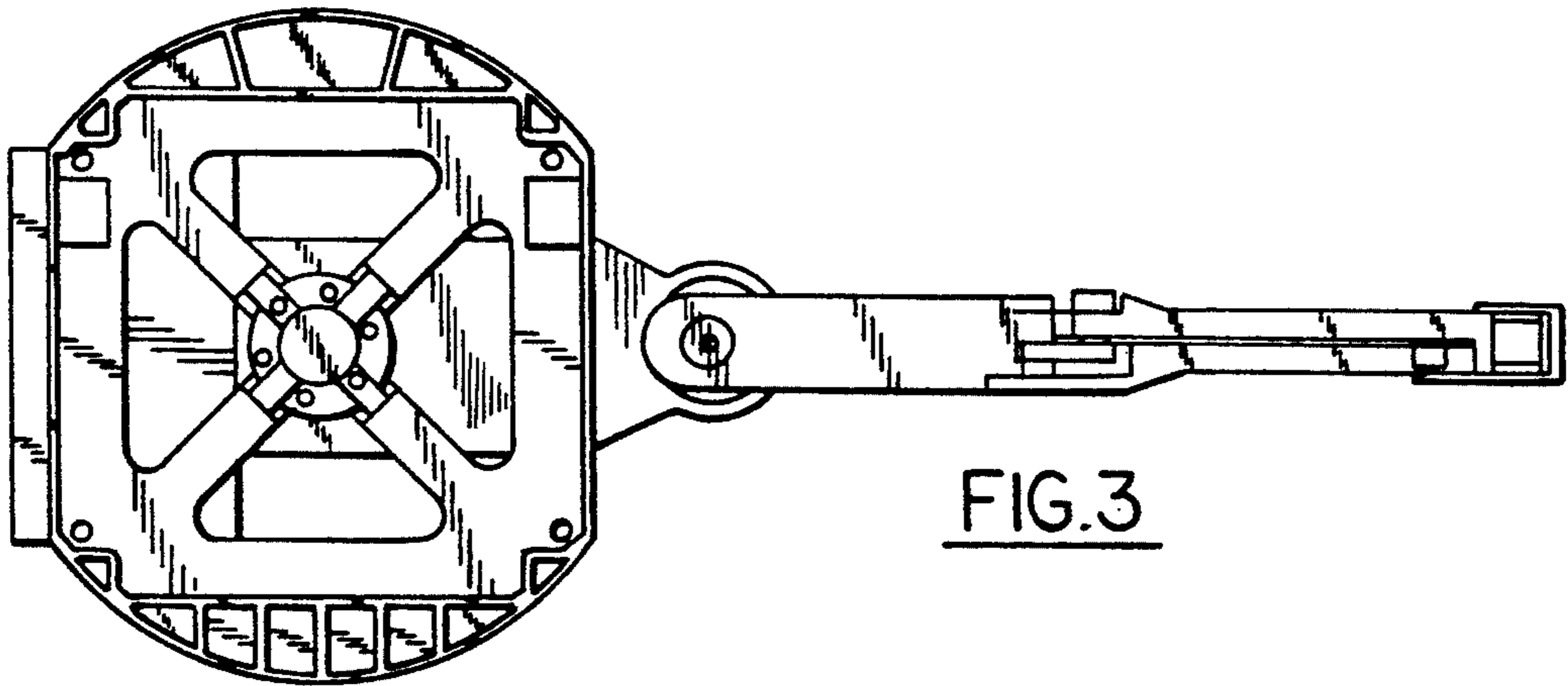


FIG. 3



FIG. 4



FIG. 5