



US00D337059S

United States Patent [19]

[11] Patent Number: **Des. 337,059**

Crafoord

[45] Date of Patent: **** Jul. 6, 1993**

[54] **ARTICULATING ARM**

5,148,377	9/1992	McDonald	33/608 X
5,148,600	9/1992	Chen et al.	33/503 X
5,152,070	10/1992	Sorokes	33/503 X

[75] Inventor: **Carl-Goran Crafoord, Bromma, Sweden**

[73] Assignee: **Car-O-Liner Company, Wixom, Mich.**

[**] Term: **14 Years**

[21] Appl. No.: **660,575**

[22] Filed: **Feb. 22, 1991**

[30] **Foreign Application Priority Data**

Feb. 28, 1990 [SE] Sweden 90-0442

[52] U.S. Cl. **D10/65**

[58] Field of Search D10/61, 62, 65, 70, D10/71, 78, 80; D15/138-143; 33/1 M, 288, 503, 608, 833

[56] **References Cited**

U.S. PATENT DOCUMENTS

5,131,257 7/1992 Mingardi 33/608 X

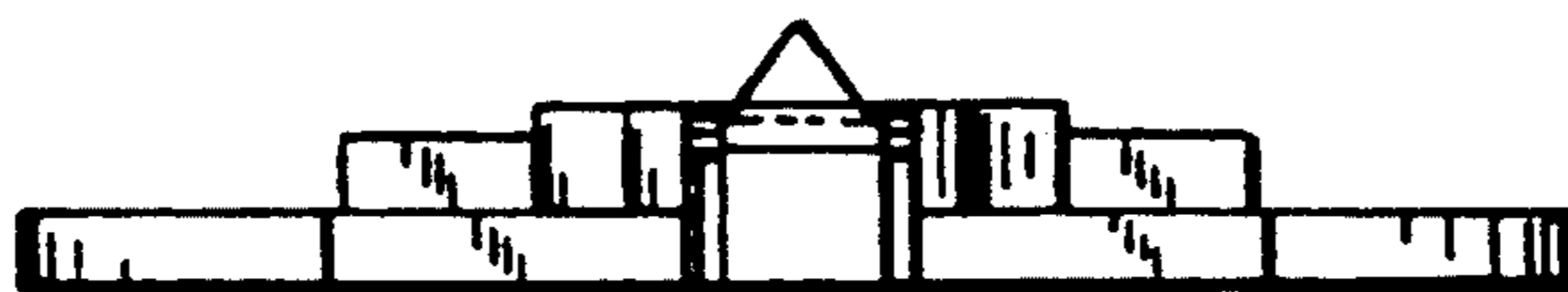
Primary Examiner—Alan P. Douglas
Assistant Examiner—A. D. Davis
Attorney, Agent, or Firm—Barnes, Kisselle, Raisch, Choate, Whittemore & Hulbert

[57] **CLAIM**

The ornamental design for an articulating arm, as shown.

DESCRIPTION

FIG. 1 is a perspective view of an articulating arm showing my new design;
FIG. 2 is a top plan view;
FIG. 3 is a bottom plan view;
FIG. 4 is a left side elevational view; and,
FIG. 5 is a right side elevation view thereof.
The conical shaped element disposed in FIGS. 1, 2, 4 and 5 shown in broken line is for illustrative purposes only and form no part of the claimed design.



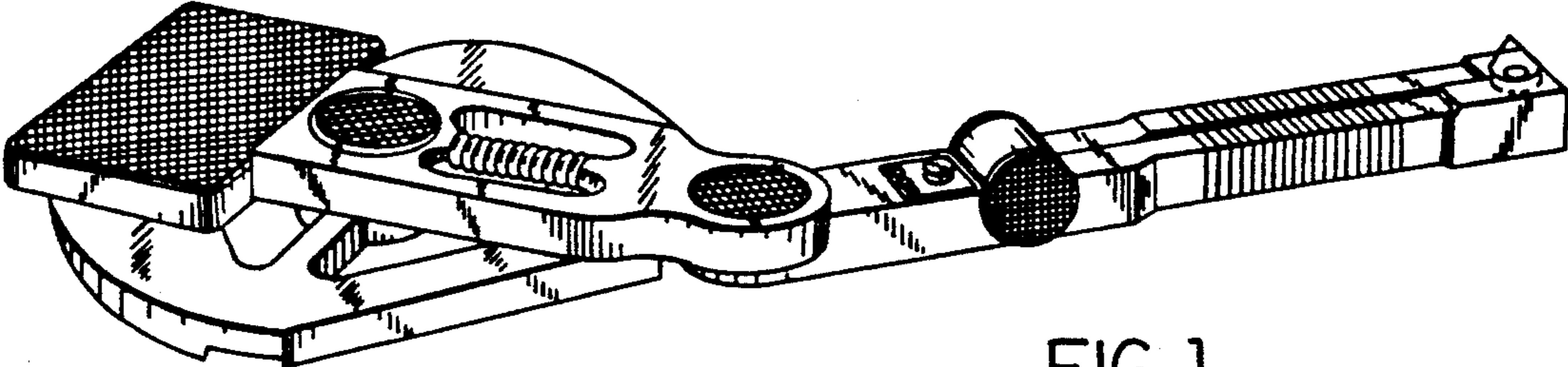


FIG. 1

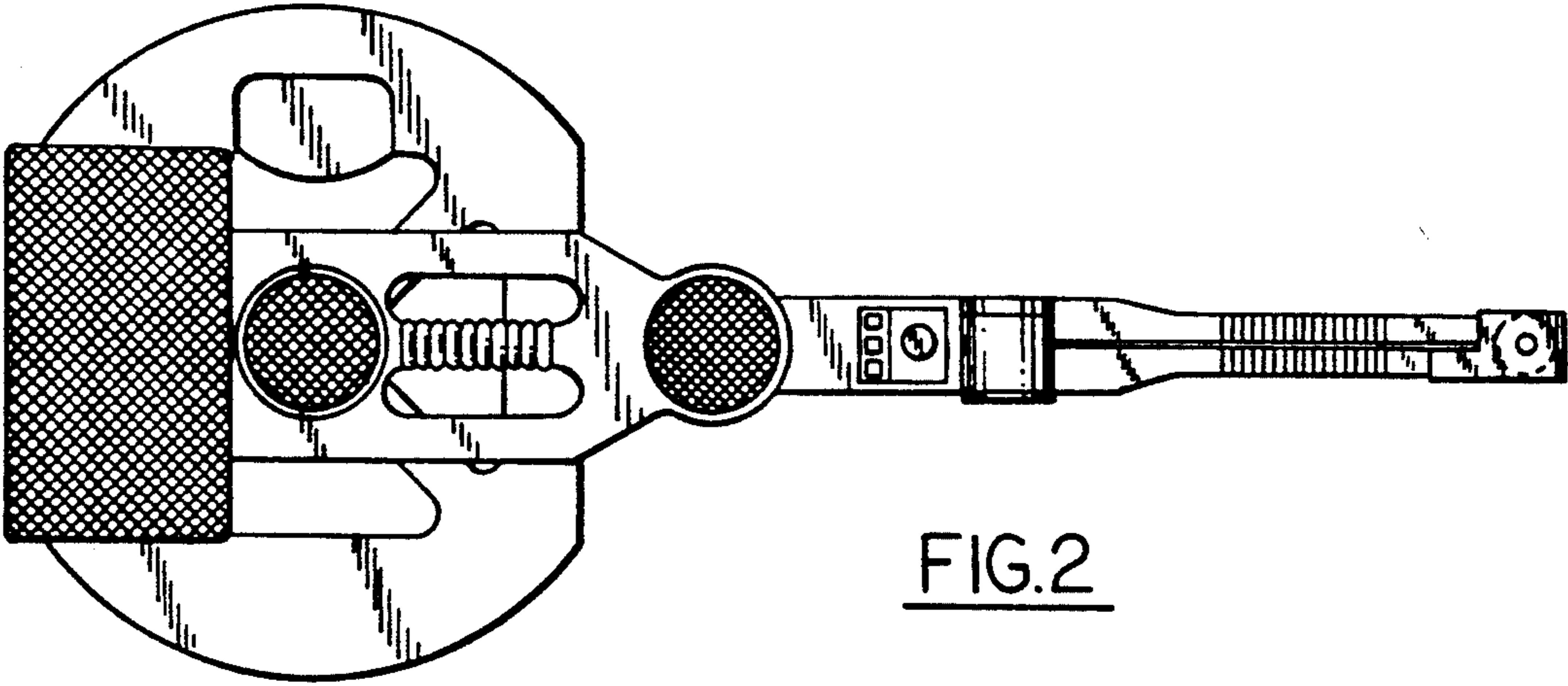


FIG. 2

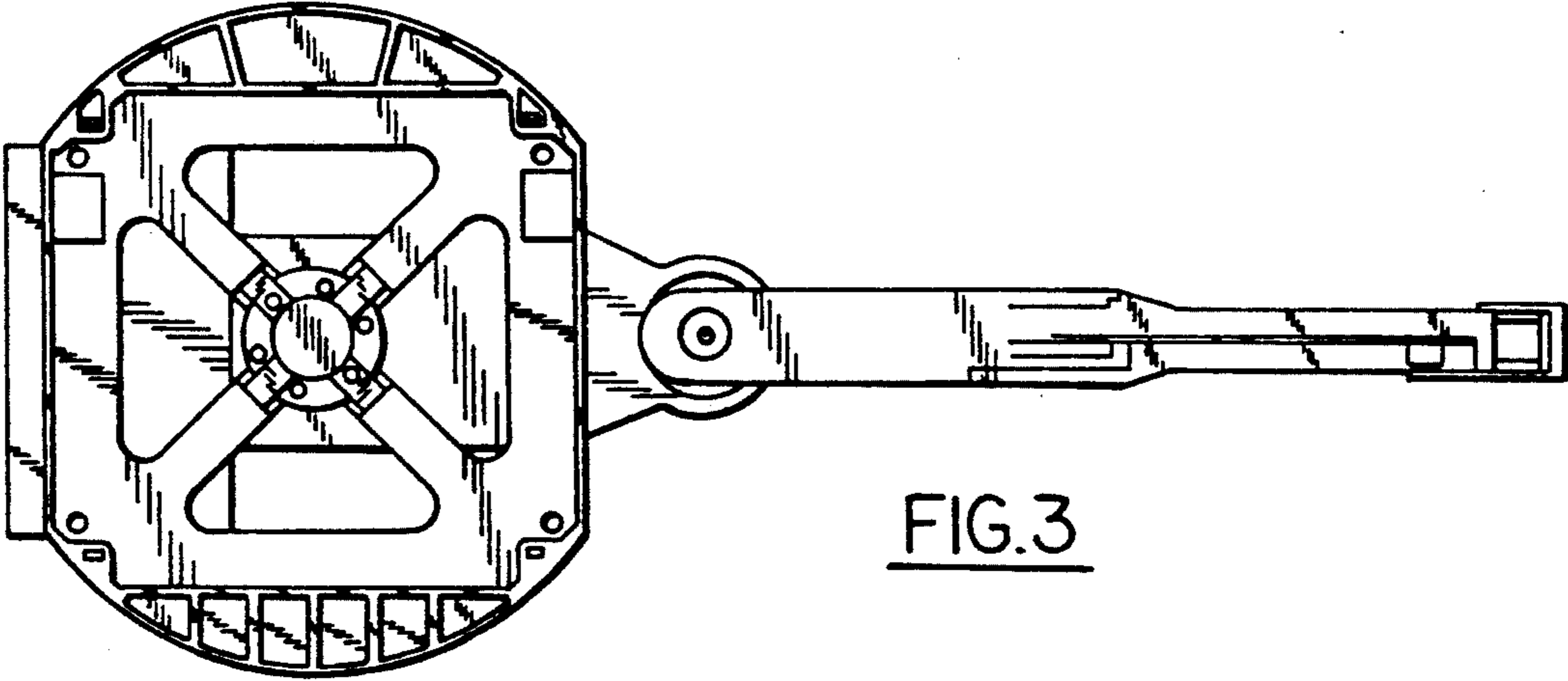


FIG. 3

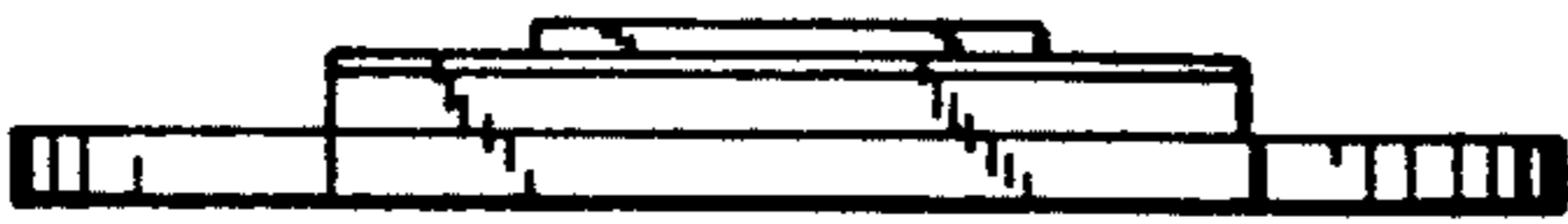


FIG. 4



FIG. 5