



US00D337058S

United States Patent [19]

[11] Patent Number: **Des. 337,058**

Papanikolaou

[45] Date of Patent: **** Jul. 6, 1993**

[54] THERMOSTAT COVER

4,584,856	4/1986	Petersdorff	70/168
4,663,951	5/1987	Poulin	70/168
5,170,752	12/1992	Binversite et al.	123/41.08

[76] Inventor: **John Papanikolaou**, 163 S. Highland Ave. Apt. C, Ossining, N.Y. 10562

Primary Examiner—Alan P. Douglas
Assistant Examiner—A. D. Davis
Attorney, Agent, or Firm—Terry M. Gernstein

[**] Term: **14 Years**

[21] Appl. No.: **668,458**

[57] **CLAIM**

[22] Filed: **Mar. 12, 1991**

The ornamental design for a thermostat cover, as shown and described.

[52] U.S. Cl. **D10/60**

[58] Field of Search **D10/49-50,**
D10/60; 236/34.5; 285/162, 184; 337/112, 327,
360, 380, 414; 200/61.85, 11 TW

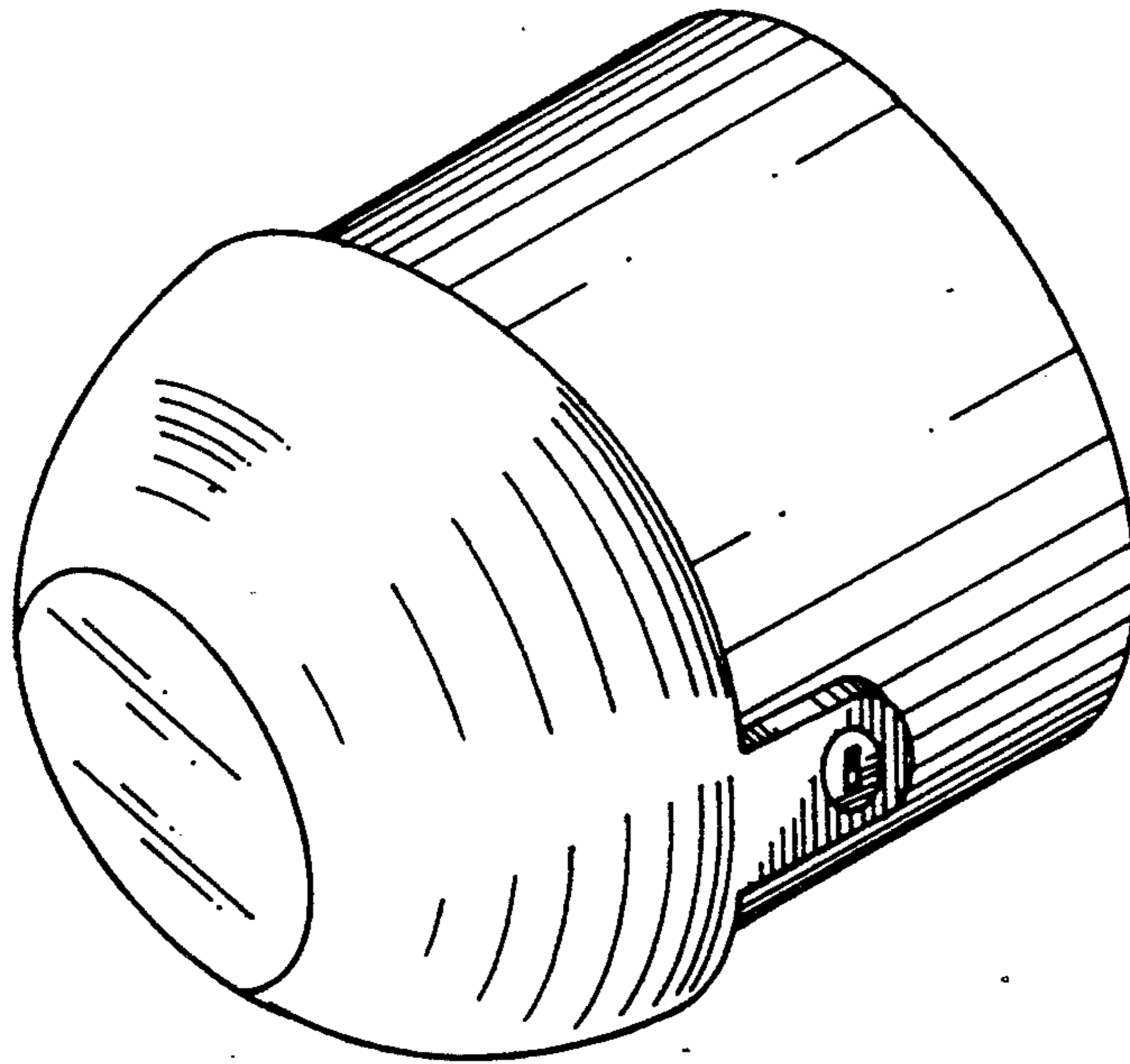
DESCRIPTION

[56] **References Cited**

U.S. PATENT DOCUMENTS

D. 248,838	8/1978	Pasquarette et al.	D10/60
2,987,909	6/1961	Shlank	70/168
4,543,445	9/1985	Turner	174/5 R

FIG. 1 is a perspective view of the thermostat cover embodying the design of the present invention; FIG. 2 is a front elevational view thereof; FIG. 3 is a rear elevational view thereof; FIG. 4 is a side elevational view thereof; FIG. 5 is a top plan view thereof; and, FIG. 6 is a bottom view thereof.



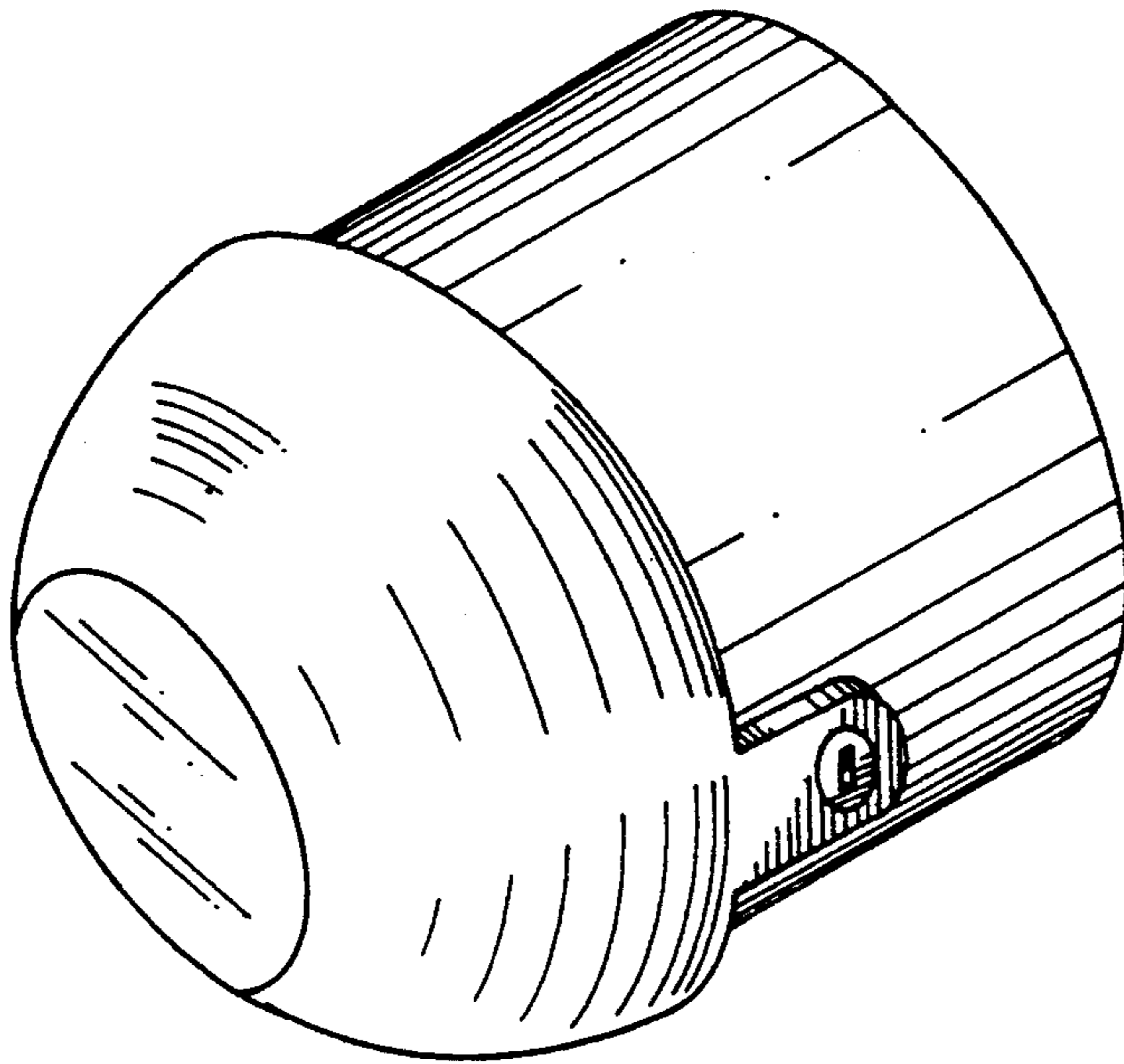
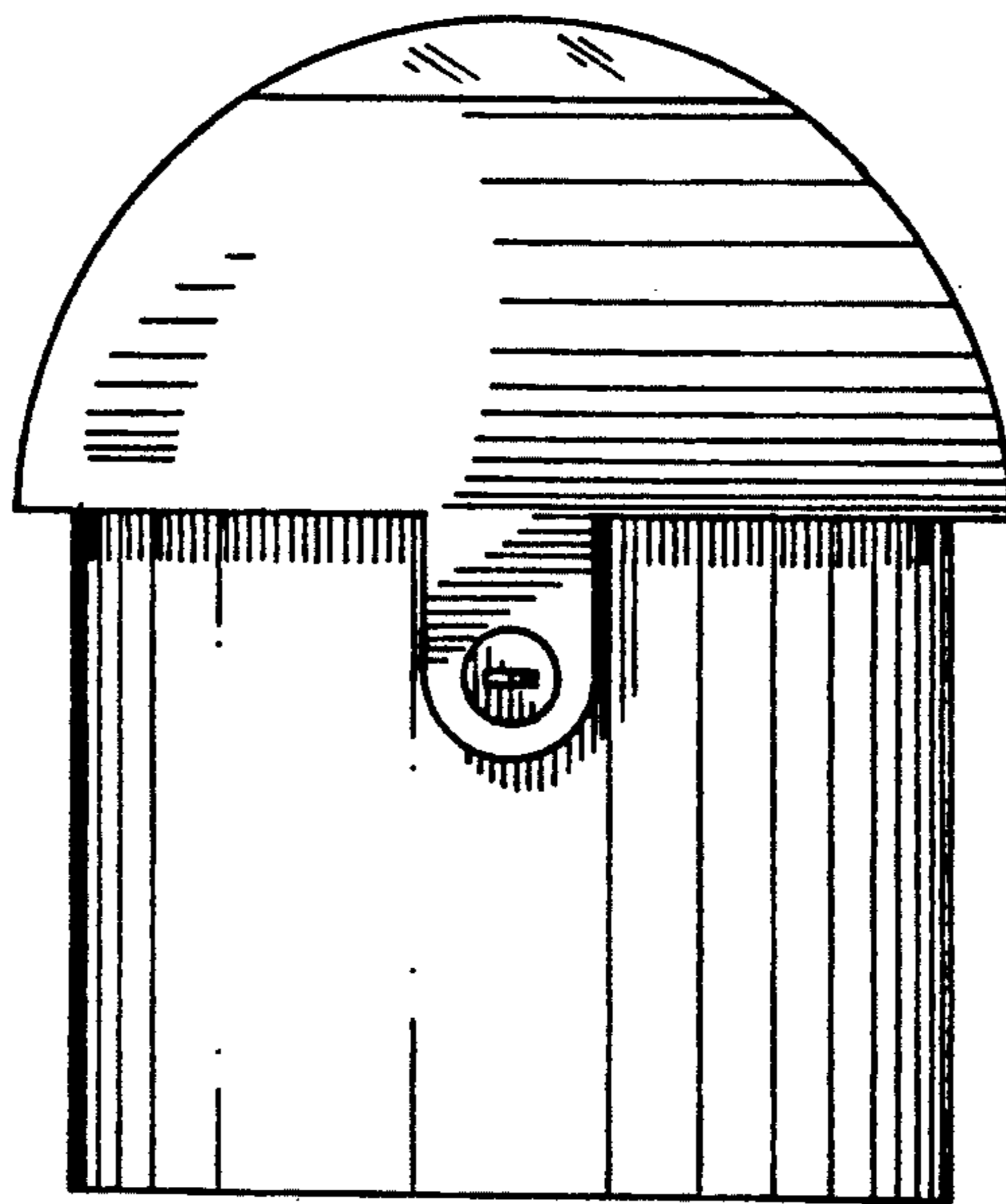


FIG. 1.

FIG. 2.



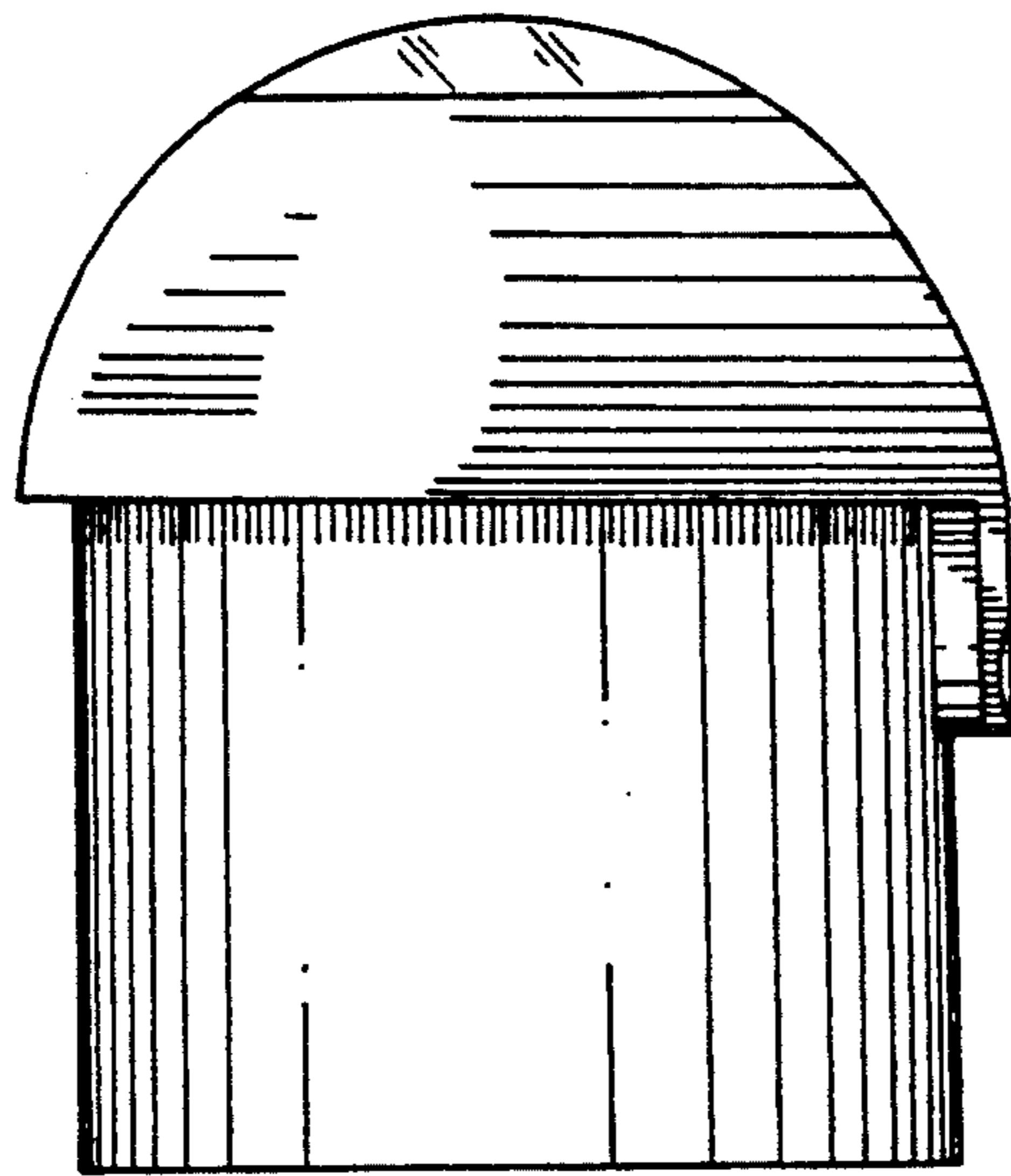


FIG. 4.

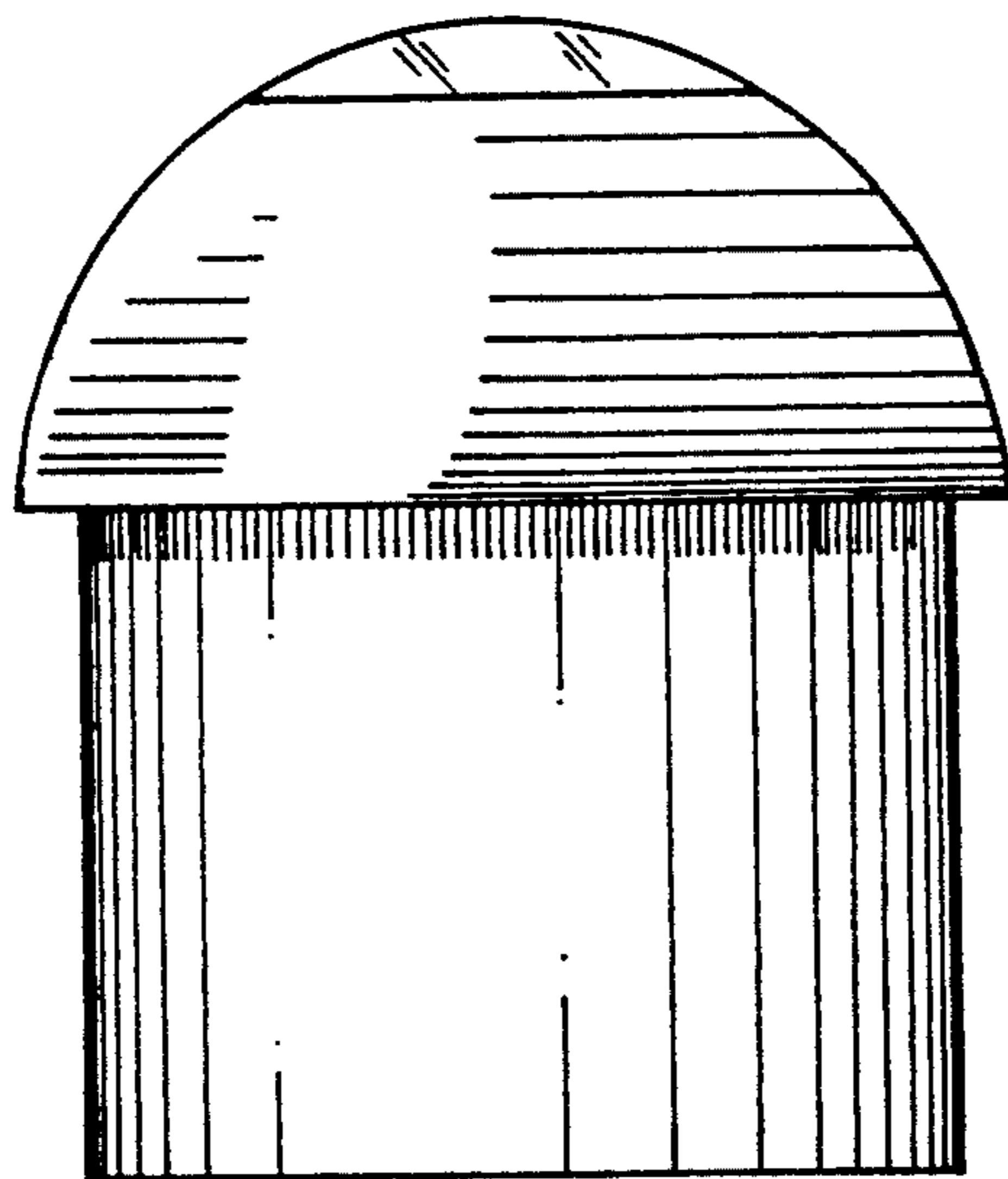


FIG. 3.

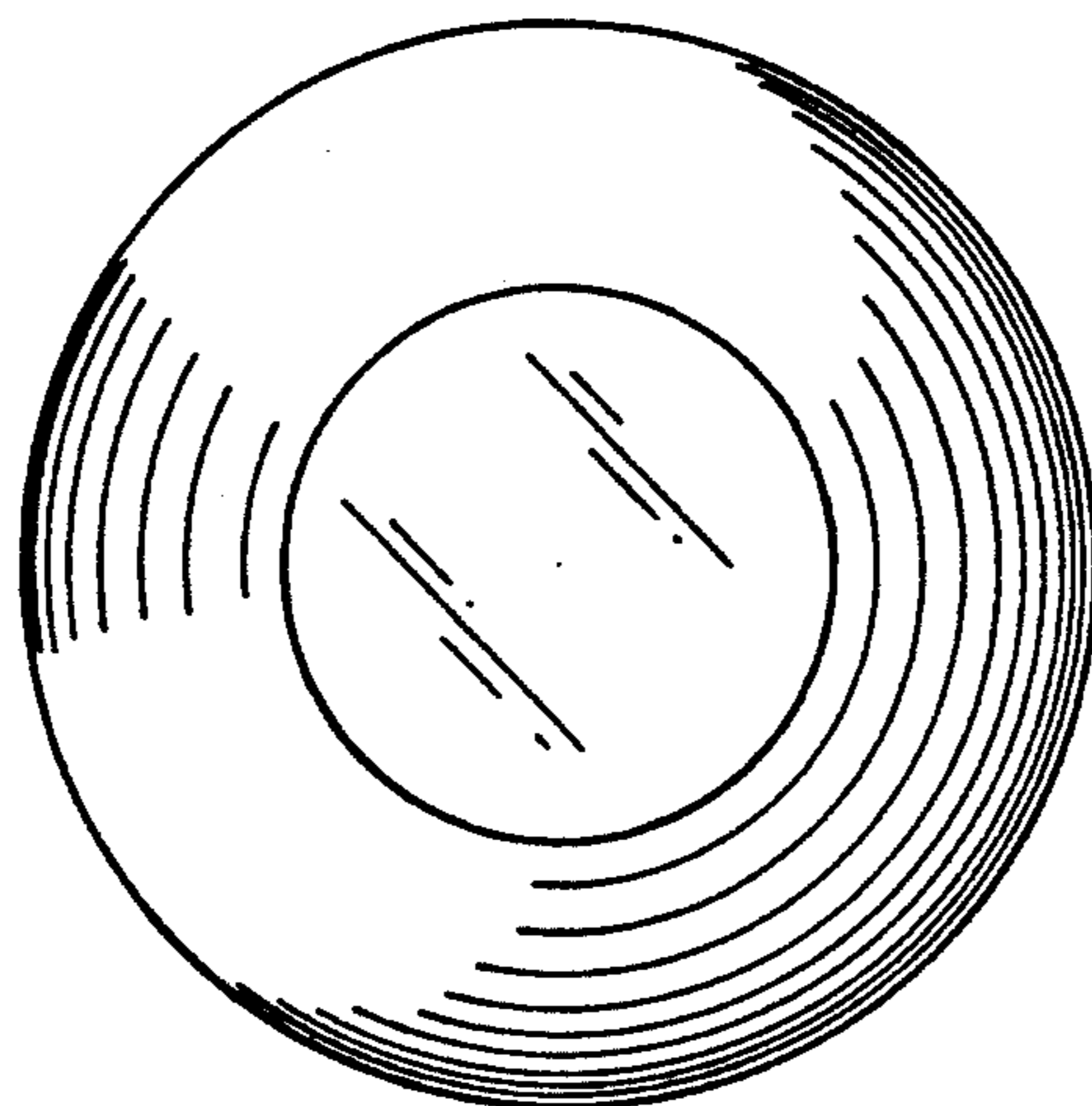


FIG. 5.

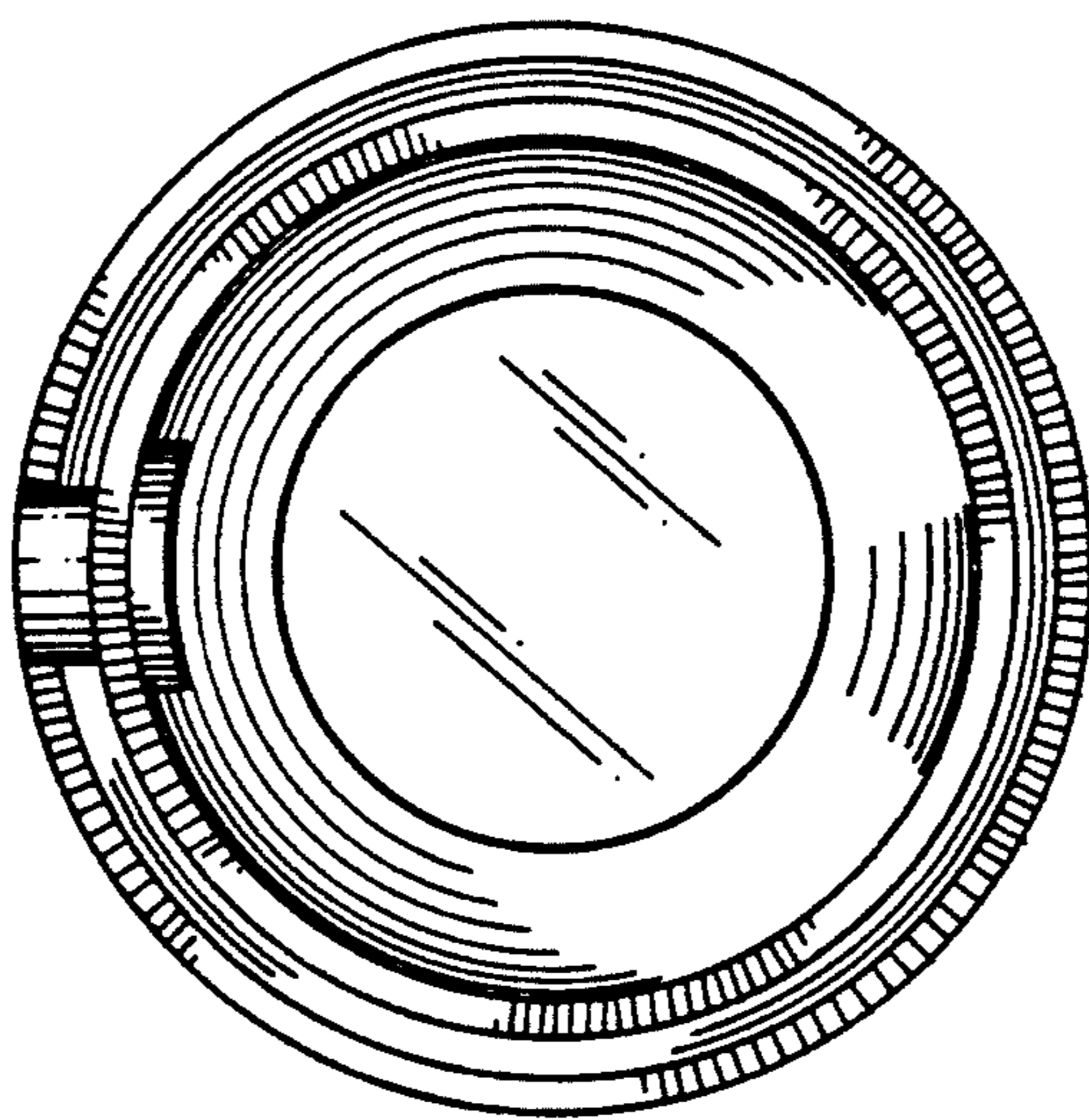


FIG. 6.