



US00D337054S

# United States Patent [19] Chong

[11] Patent Number: **Des. 337,054**  
[45] Date of Patent: **\*\* Jul. 6, 1993**

## [54] CAP FOR A PRESSURIZED CONTAINER

[75] Inventor: **Colin K. L. Chong**, Singapore,  
Singapore  
[73] Assignee: **Reckitt & Colman Singapore Pte.**  
**Ltd.**, Jurong, Singapore

[\*\*] Term: **14 Years**

[21] Appl. No.: **786,983**

[22] Filed: **Nov. 4, 1991**

## [30] Foreign Application Priority Data

May 29, 1991 [GB] United Kingdom ..... 2014952  
[52] U.S. Cl. .... **D9/448**  
[58] Field of Search ..... D9/300, 434, 435, 445,  
D9/448; 222/491, 544, 562, 635

## [56] References Cited

### U.S. PATENT DOCUMENTS

D. 209,427 11/1967 Charles ..... D9/448  
D. 209,428 11/1967 Charles ..... D9/448  
D. 220,943 6/1971 Beck ..... D9/448  
D. 228,547 10/1973 Grothoff ..... D9/448  
D. 244,431 5/1977 Butcher ..... D9/448  
3,512,682 5/1970 Hendrickson et al. .... D9/448

## FOREIGN PATENT DOCUMENTS

950038 4/1970 United Kingdom .  
950039 4/1970 United Kingdom .  
950040 4/1970 United Kingdom .  
952344 10/1971 United Kingdom .

## OTHER PUBLICATIONS

Aerosol Age, Oct. 1988, p. 41, cap-top left of page.

*Primary Examiner*—Alan P. Douglas

*Assistant Examiner*—Ann Hunt

*Attorney, Agent, or Firm*—Rosen, Dainow & Jacobs

## [57] CLAIM

The ornamental design for a cap for a pressurized container, as shown and described.

## DESCRIPTION

FIG. 1 is a perspective view from the front and above of a cap for a pressurized container showing my new design;

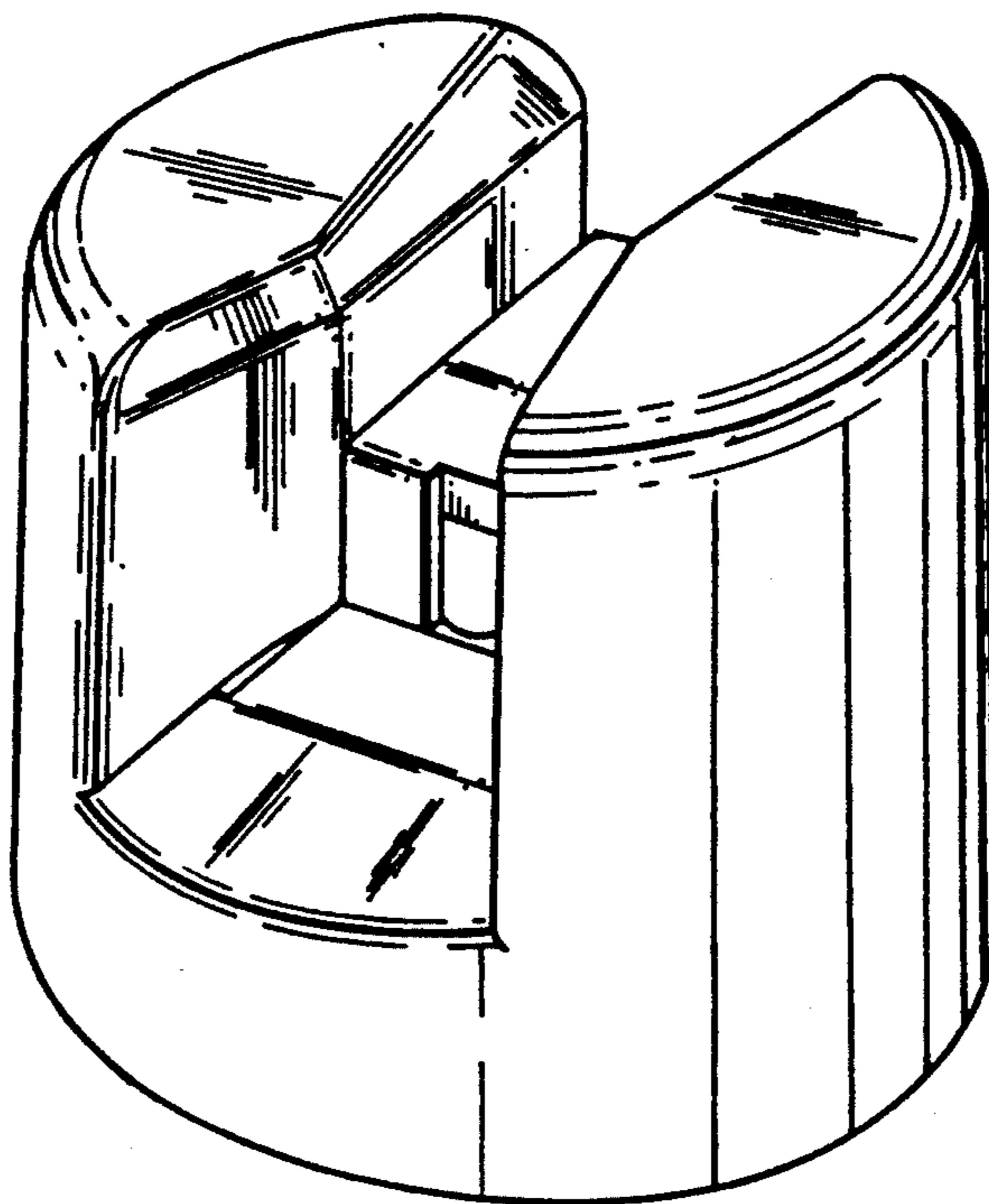
FIG. 2 is a perspective view thereof from the rear and above;

FIG. 3 is a front view thereof, drawn to a different scale;

FIG. 4 is a rear view thereof, drawn to the same scale as FIG. 3;

FIG. 5 is a section thereof on line 5—5 in FIG. 4; and,

FIG. 6 is a plan view thereof, drawn to the same scale as FIG. 3.



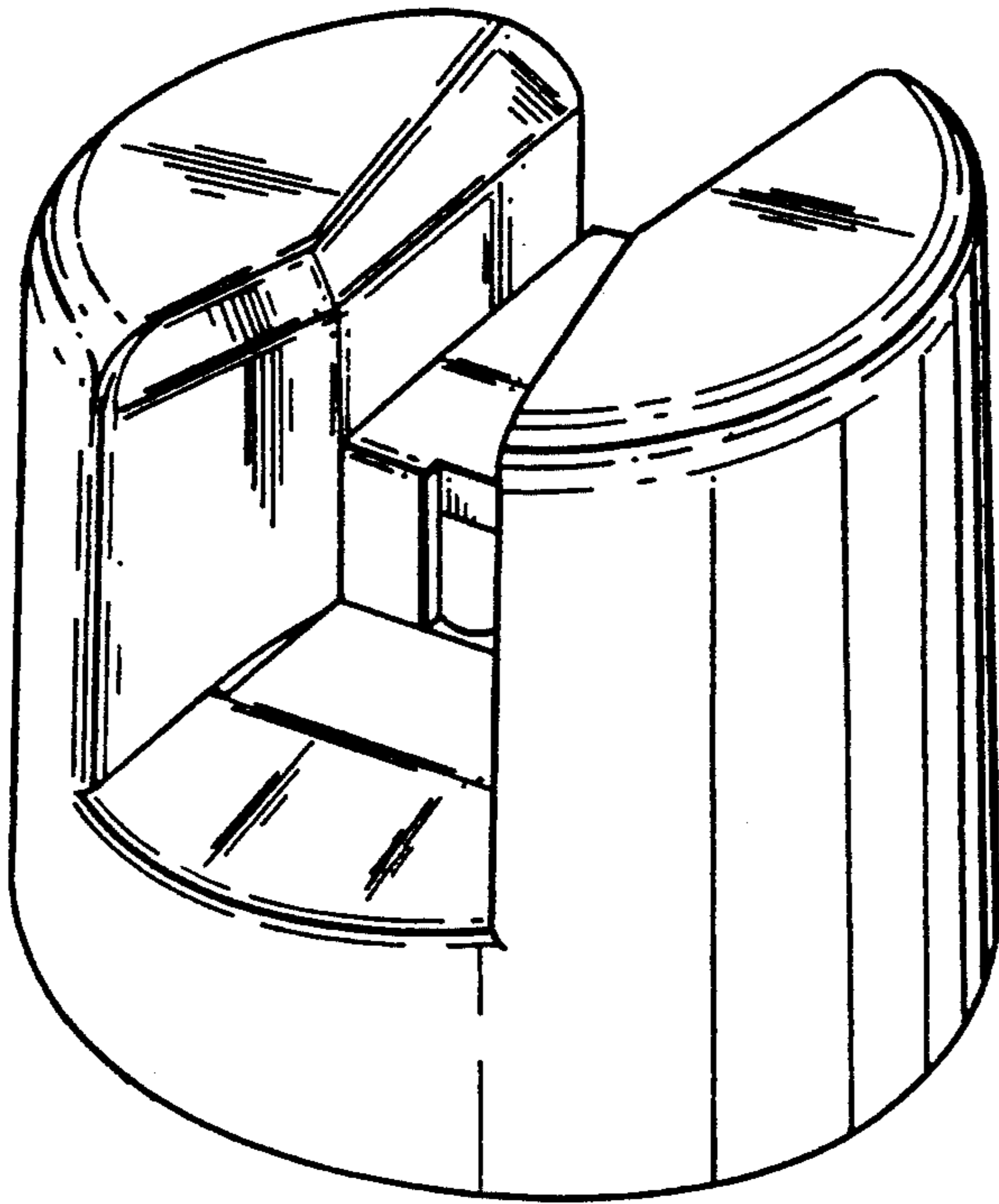


FIG. 1.

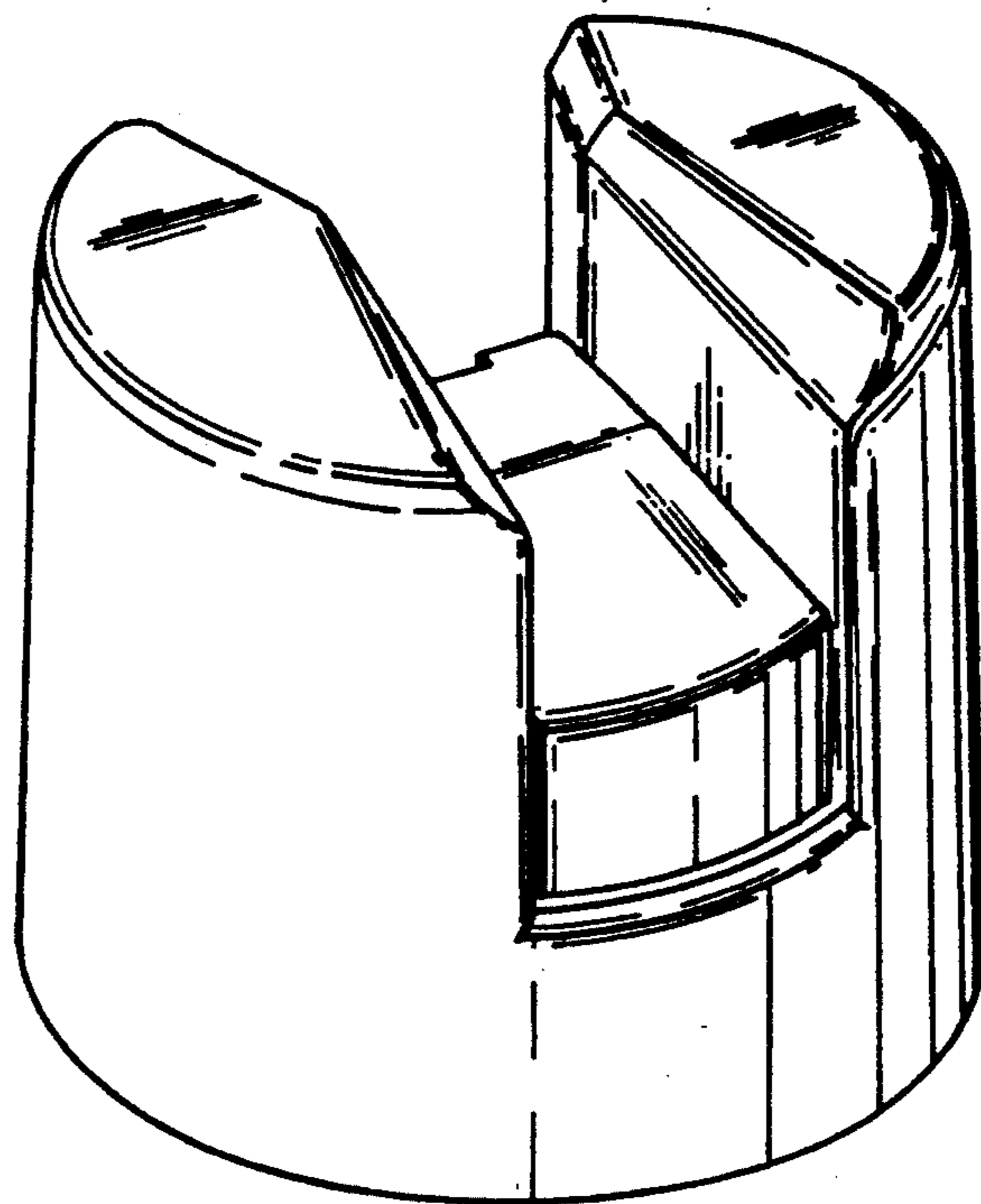


FIG. 2.

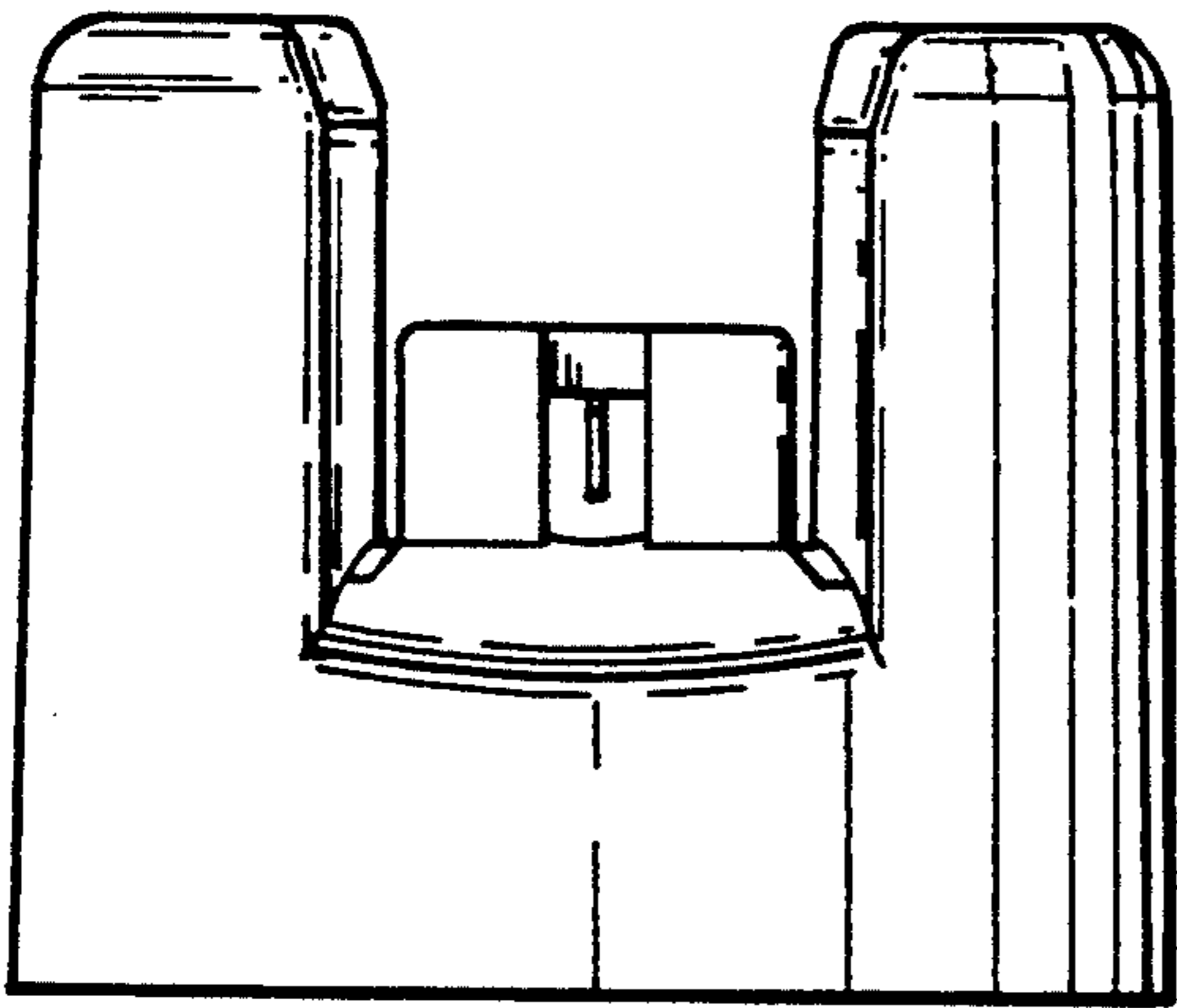


FIG. 3.

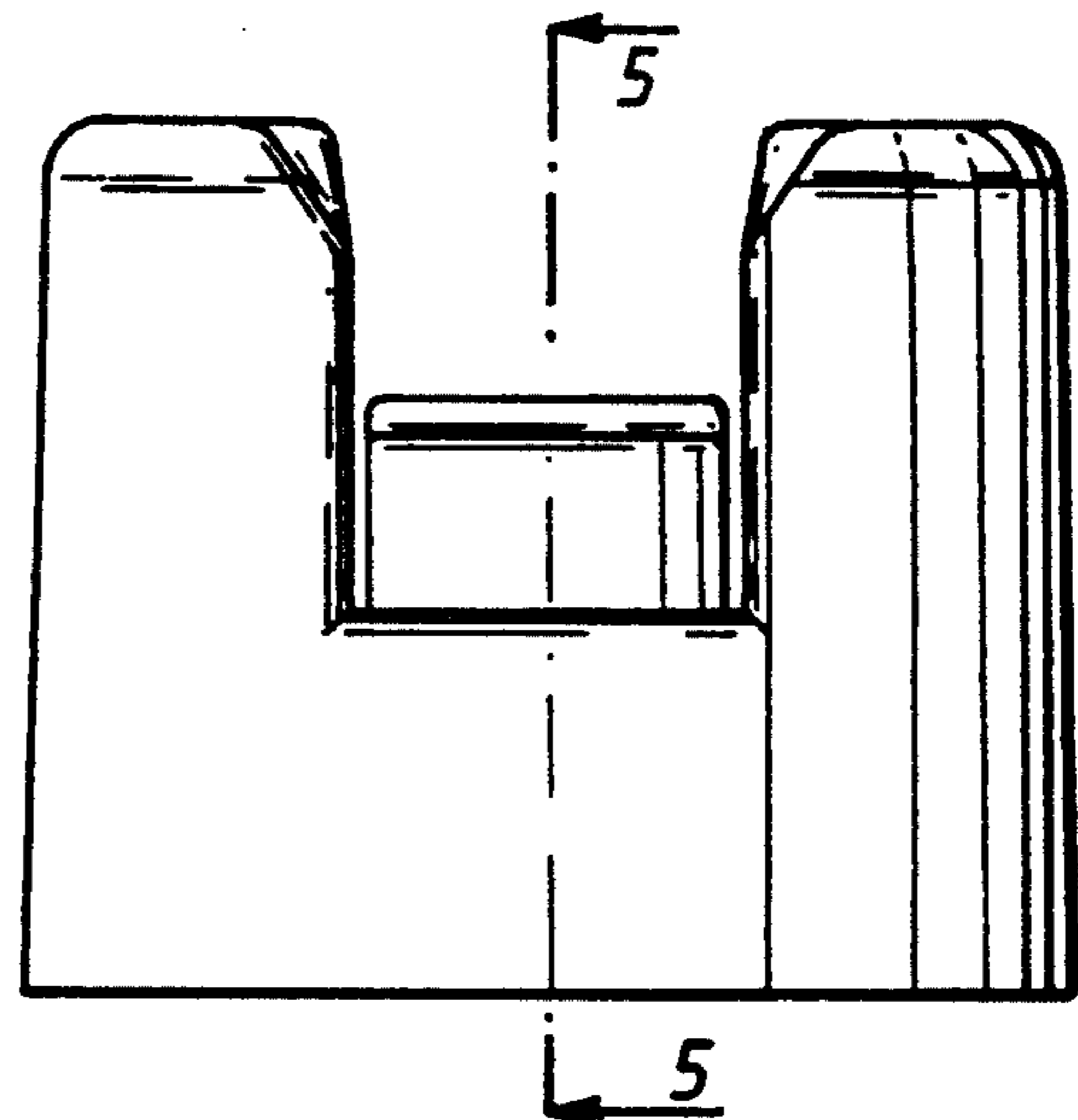


FIG. 4.

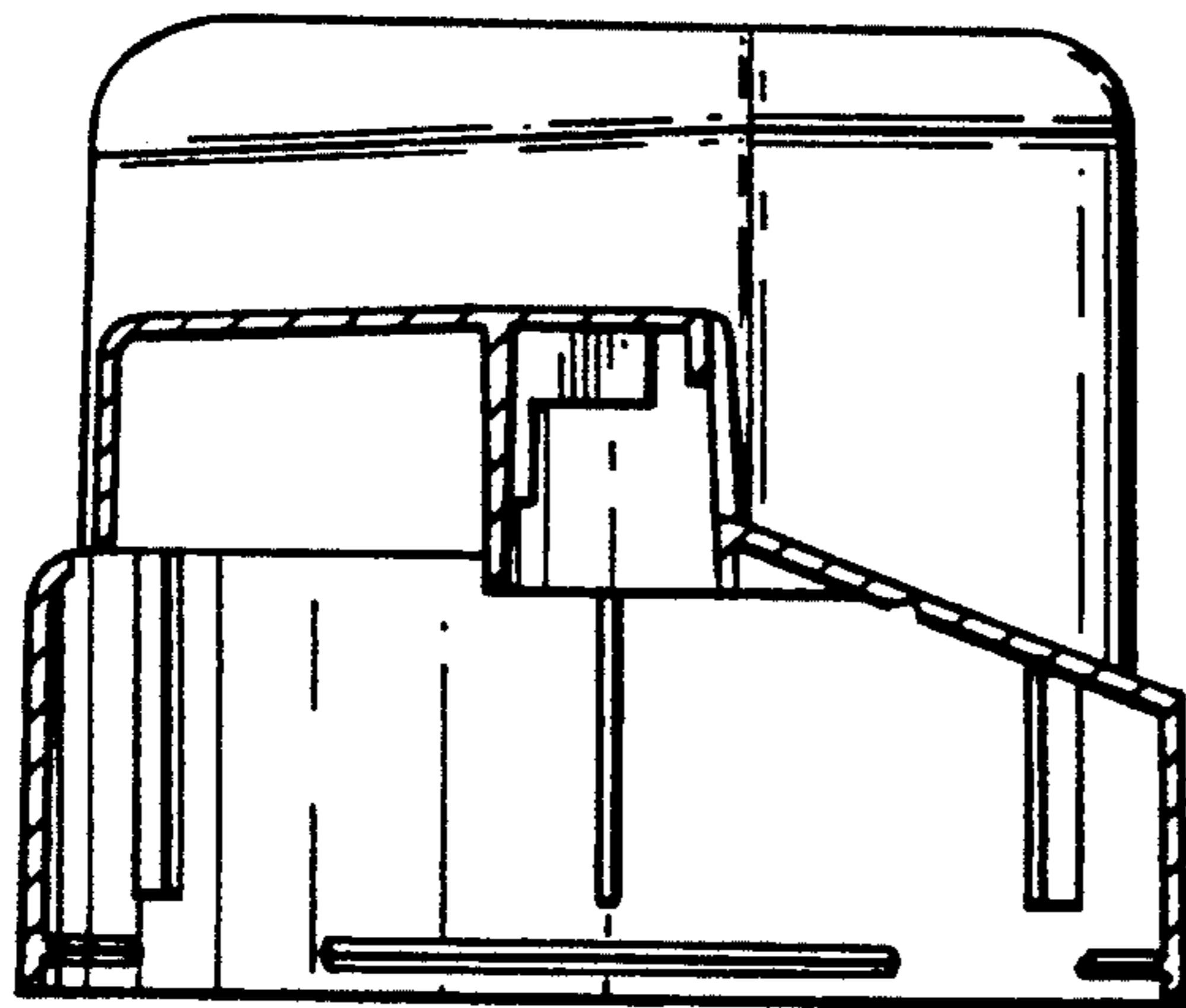


FIG. 5.

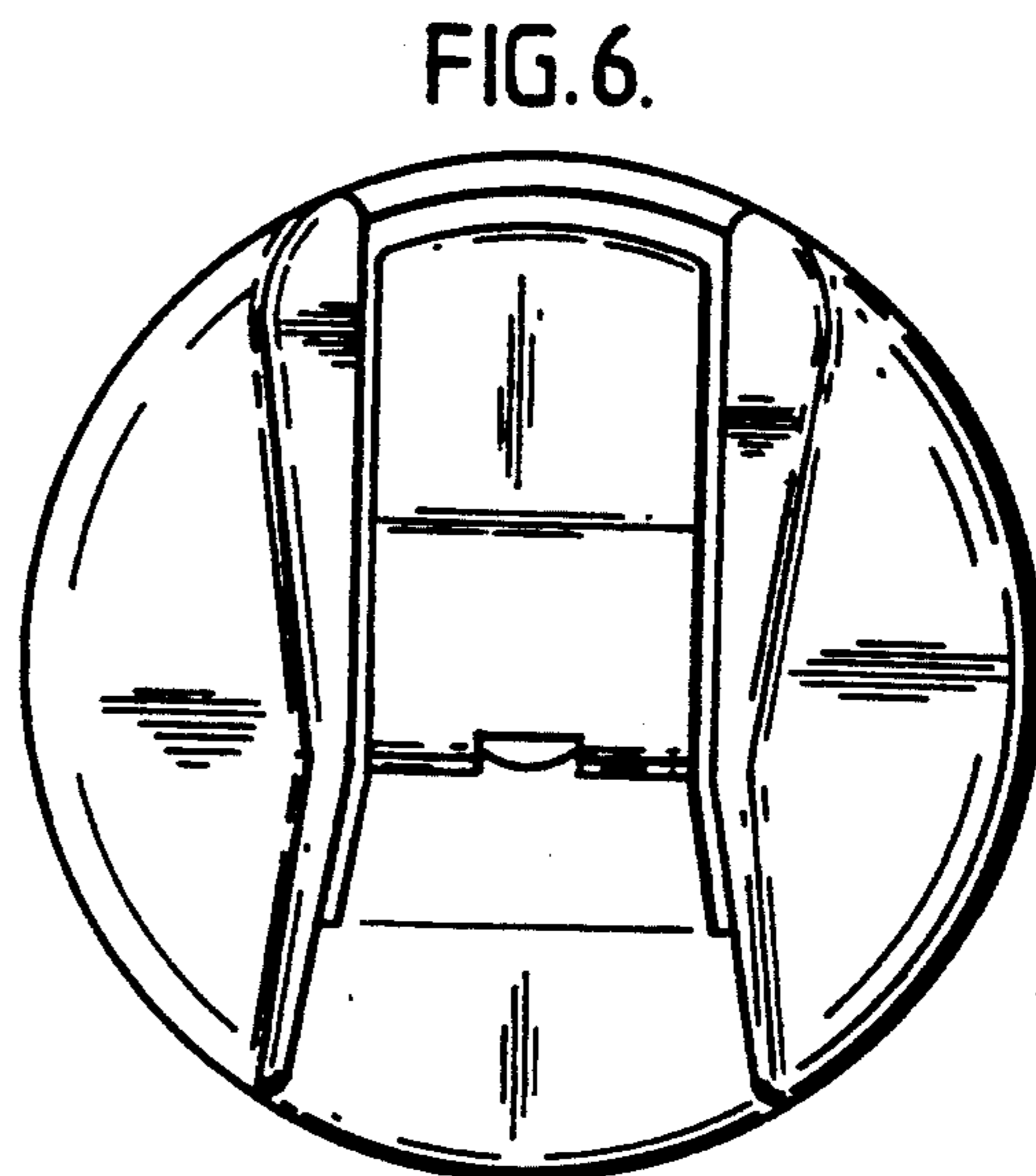


FIG. 6.