



US00D337053S

United States Patent [19]

[11] Patent Number: **Des. 337,053**

Oden

[45] Date of Patent: **** Jul. 6, 1993**

[54] **SHOPPING BAG HANDLE GRIP**
[76] Inventor: **Michael R. Oden, 785 S. Sunderland Rd., Spencerville, Ohio 45887**

3,680,752 8/1972 Wilson 294/171
4,040,562 8/1977 Ward .
4,590,640 5/1986 Enersen .
4,772,059 9/1988 Parry .

[**] Term: **14 Years**

*Primary Examiner—B. J. Bullock
Attorney, Agent, or Firm—Terry M. Gernstein*

[21] Appl. No.: **567,344**

[57] CLAIM

[22] Filed: **Aug. 14, 1990**

The ornamental design for a shopping bag handle grip, as shown and described.

[52] U.S. Cl. **D9/434**

[58] Field of Search **D8/300; D9/434;**
294/137, 170, 171; 16/110 R, 110.5; 383/6, 13,
15

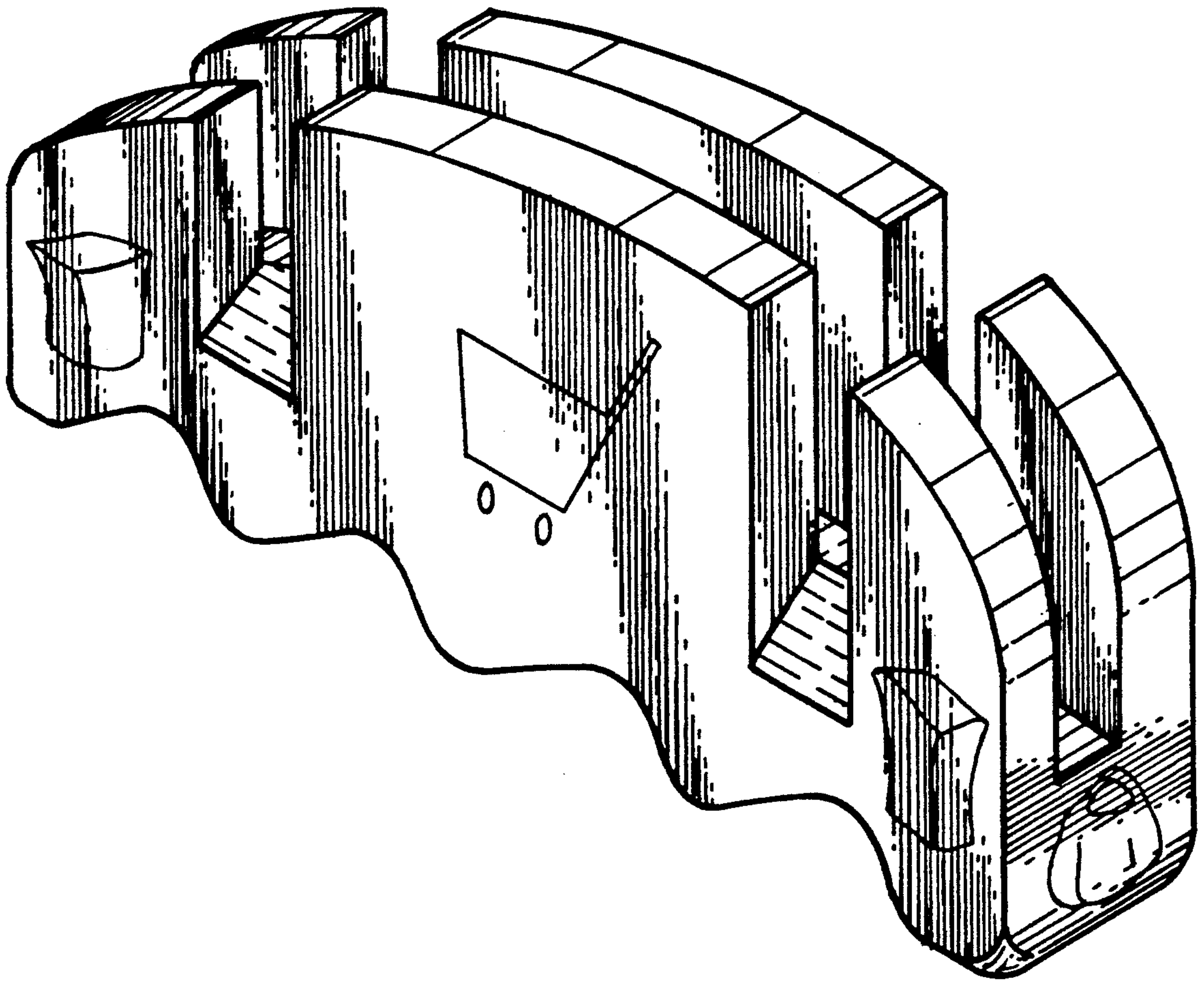
DESCRIPTION

[56] References Cited

U.S. PATENT DOCUMENTS

D. 318,213 7/1991 Cloonan et al. D9/434
D. 319,569 9/1991 Clark D9/434
D. 325,156 4/1992 Sweeny D8/300
3,679,103 7/1972 Chmela et al. 294/170

FIG. 1 is a perspective view of the shopping bag handle grip showing my new design;
FIG. 2 is a front elevational view thereof, the rear being identical;
FIG. 3 is an end elevational view thereof, both ends being identical;
FIG. 4 is a top plan view thereof; and,
FIG. 5 is a bottom plan view thereof.



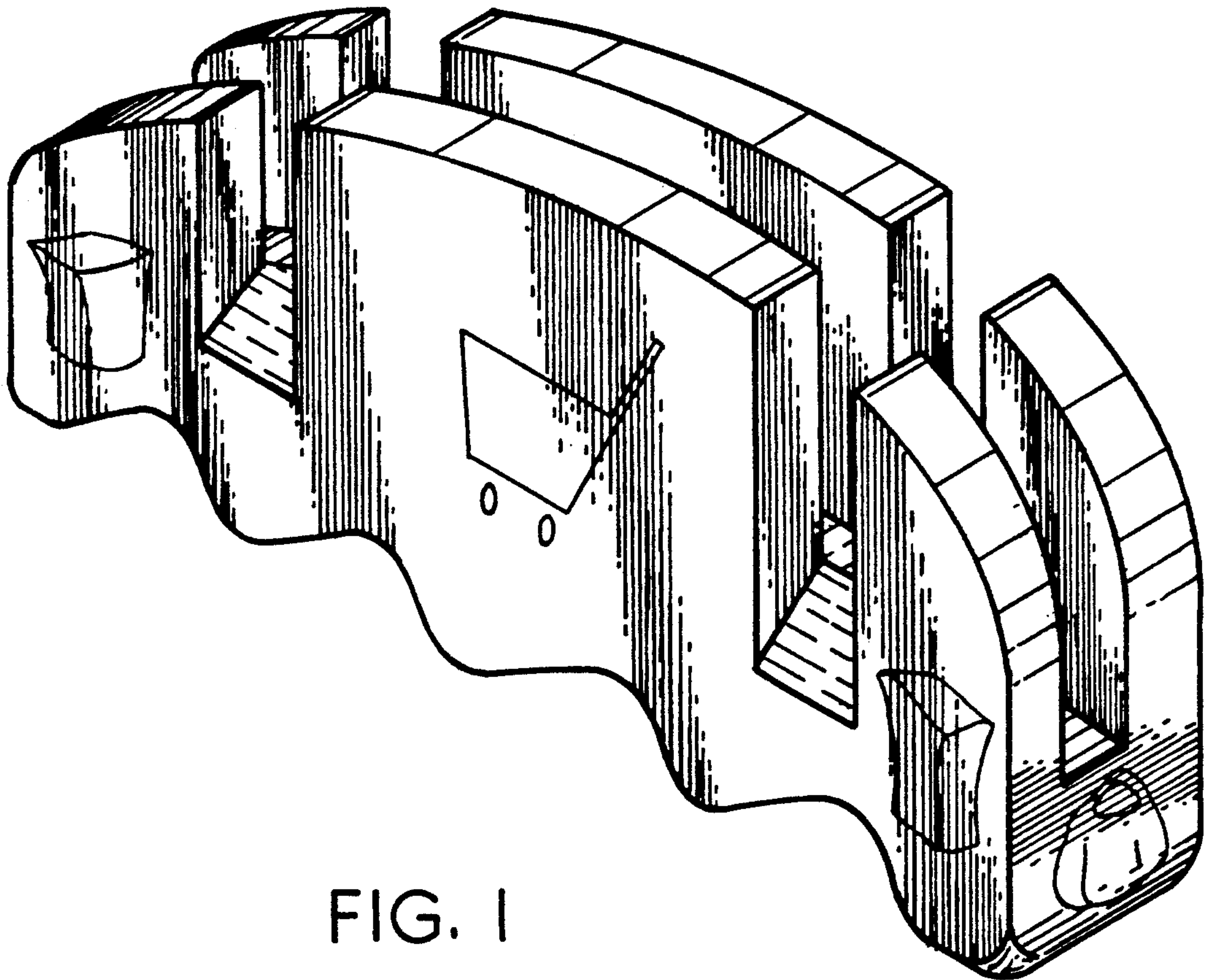


FIG. 1

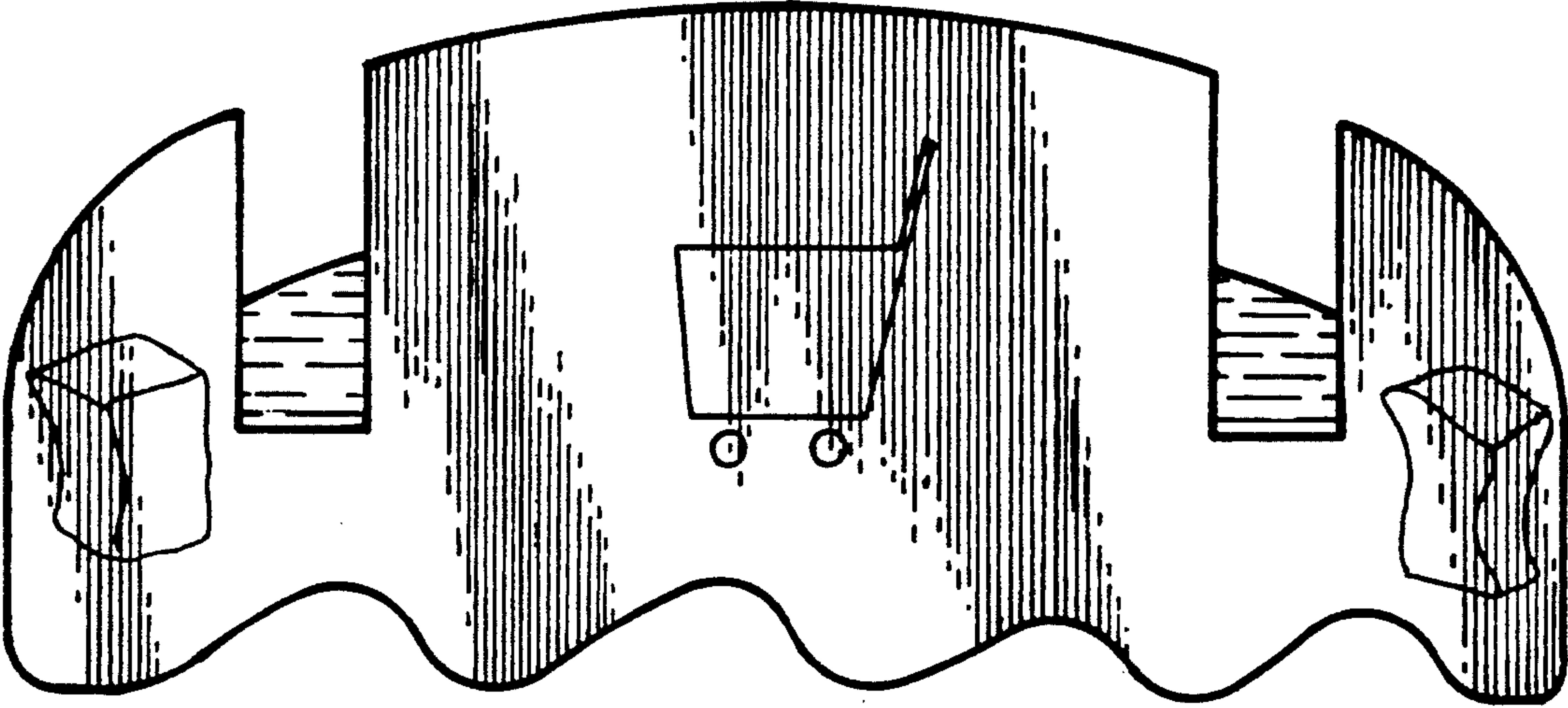


FIG. 2

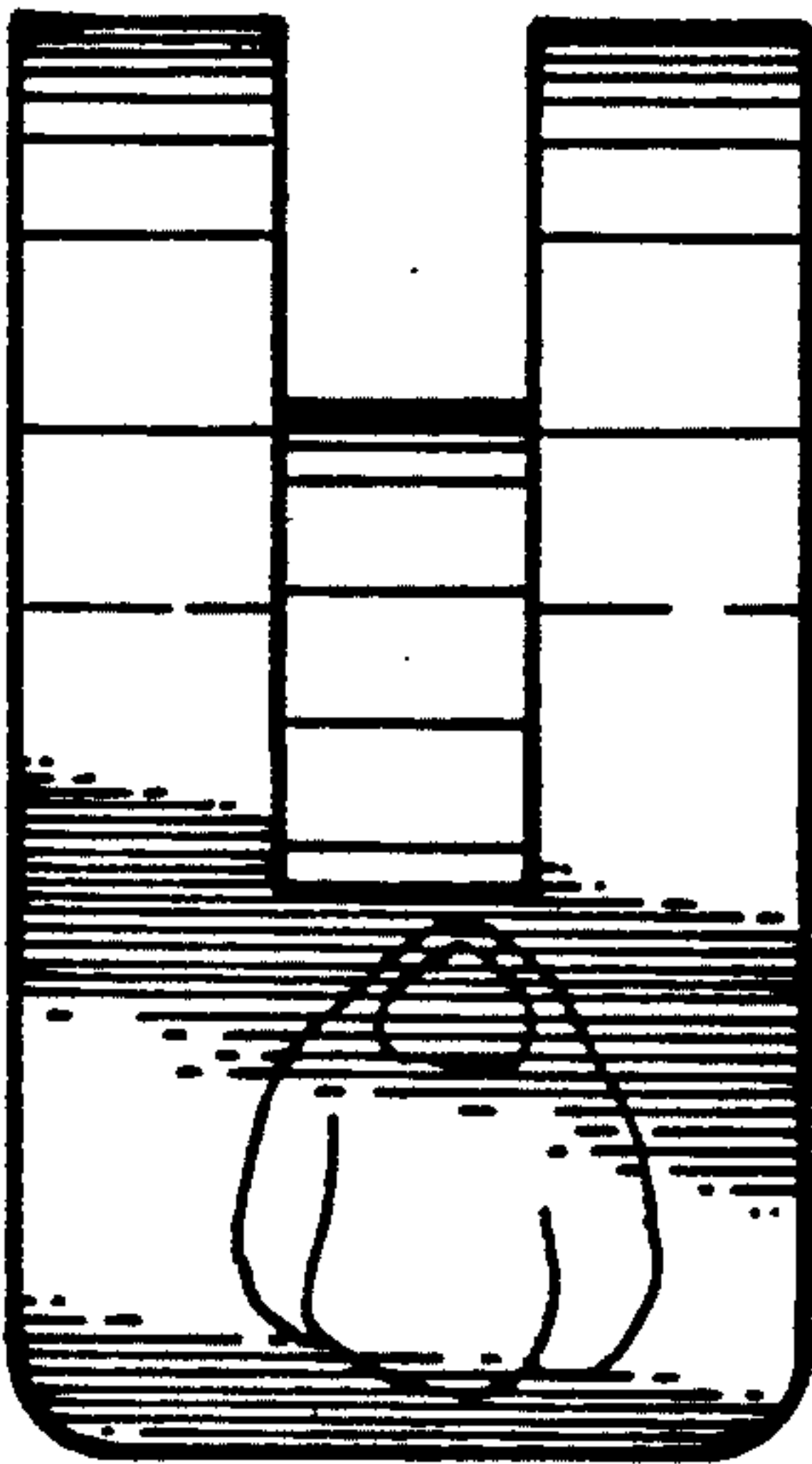


FIG. 3

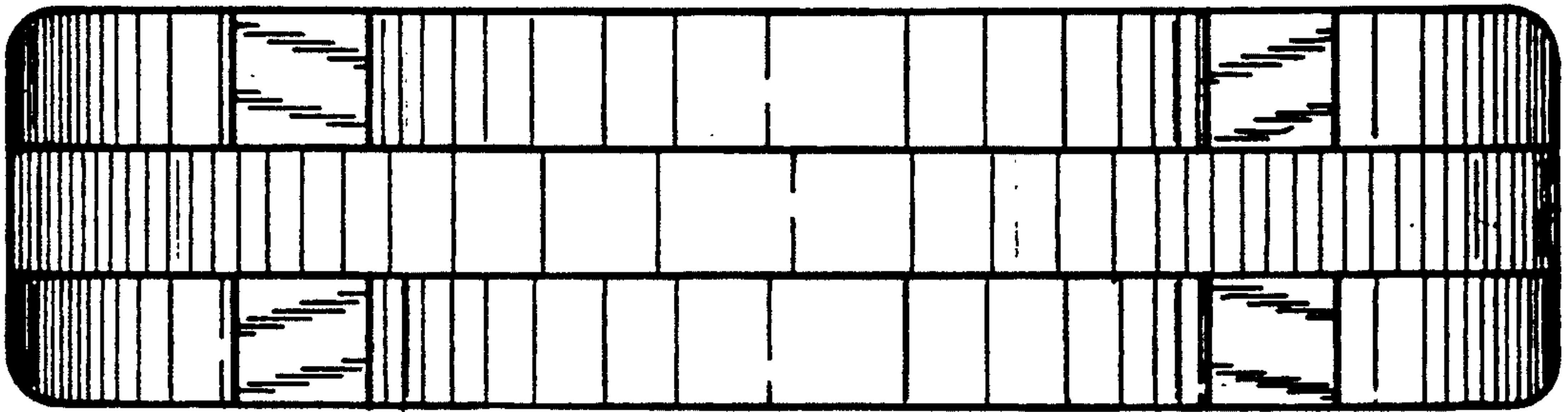


FIG. 4

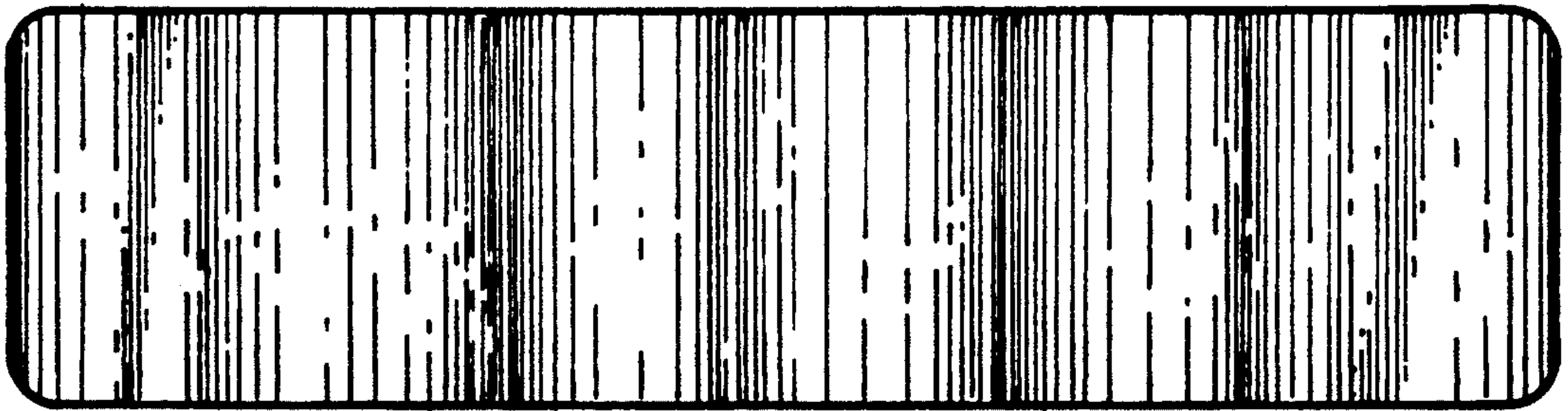


FIG. 5