



US00D337041S

# United States Patent [19]

[11] Patent Number: Des. 337,041

Carl

[45] Date of Patent: \*\* Jul. 6, 1993

[54] COMPUTER DISK DRIVE LOCK

[75] Inventor: Stewart R. Carl, Palo Alto, Calif.

[73] Assignee: Kensington Microware Limited, San Mateo, Calif.

[\*\*] Term: 14 Years

[21] Appl. No.: 736,897

[22] Filed: Jul. 26, 1991

[52] U.S. Cl. .... D8/331; D14/114

[58] Field of Search ..... D8/330-331, D8/341, 343, 346; D14/109, 114; 70/57, 57.1, 58, 14, 232, 236

### [56] References Cited

#### U.S. PATENT DOCUMENTS

D. 305,726	1/1990	Halay	.....	D8/331	X
D. 308,052	5/1990	Dardon et al.	.....	D14/114	X
D. 329,046	9/1992	Westland	.....	D8/331	X
3,096,409	7/1963	Hubbell et al.	.....	D8/346	X
4,655,057	4/1987	Derman	.....	70/58	X
4,907,111	3/1990	Derman	.....	70/14	X
4,964,285	10/1990	Lakoski et al.	.....	70/14	

#### OTHER PUBLICATIONS

Computer and Office Equipment Security Catalog, ©1990 by Secure-It, Inc., 18 Maple Court, East Longmeadow, Mass. 01028.

Primary Examiner—Brian N. Vinson

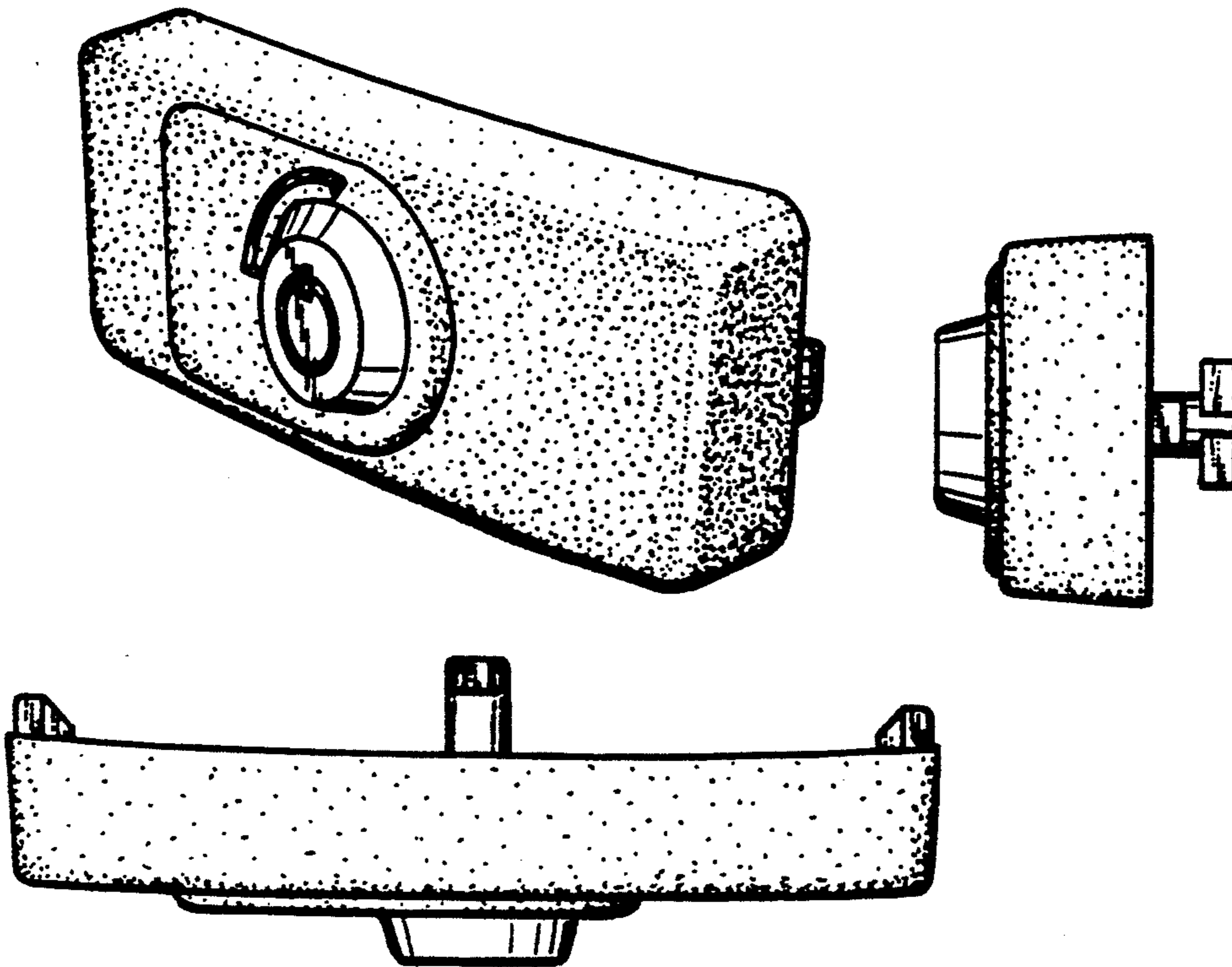
Attorney, Agent, or Firm—Townsend and Townsend Khourie and Crew

### [57] CLAIM

The ornamental design for a disk drive lock, as shown and described.

### DESCRIPTION

FIG. 1 is a perspective view of a first embodiment showing our new design;  
 FIG. 2 is a top plan view thereof;  
 FIG. 3 is a front elevational view thereof;  
 FIG. 4 is a right side elevational view thereof;  
 FIG. 5 is a left side elevational view thereof;  
 FIG. 6 is a rear elevational view thereof;  
 FIG. 7 is a bottom plan view thereof;  
 FIG. 8 is a perspective view of a second embodiment showing our new design;  
 FIG. 9 is a top plan view thereof;  
 FIG. 10 is a front elevational view thereof;  
 FIG. 11 is a right side elevational view thereof;  
 FIG. 12 is a left side elevational view thereof;  
 FIG. 13 is a rear elevational view thereof;  
 FIG. 14 is a bottom plan view thereof;  
 FIG. 15 is a perspective view of a third embodiment showing our new design;  
 FIG. 16 is a top plan view thereof;  
 FIG. 17 is a front elevational view thereof;  
 FIG. 18 is a right side elevational view thereof;  
 FIG. 19 is a left side elevational view thereof;  
 FIG. 20 is a rear elevational view thereof; and,  
 FIG. 21 is a bottom plan view thereof.



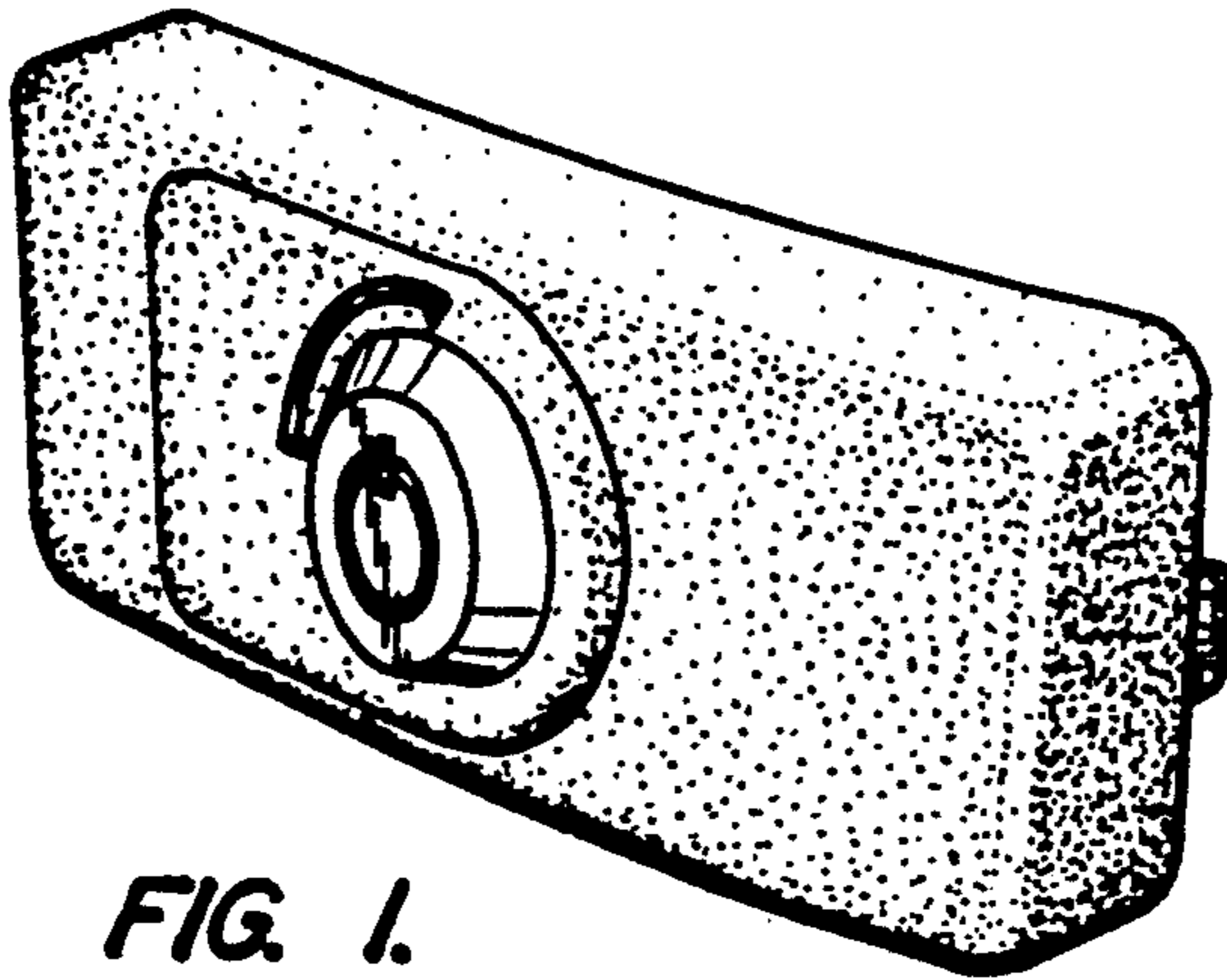


FIG. 1.

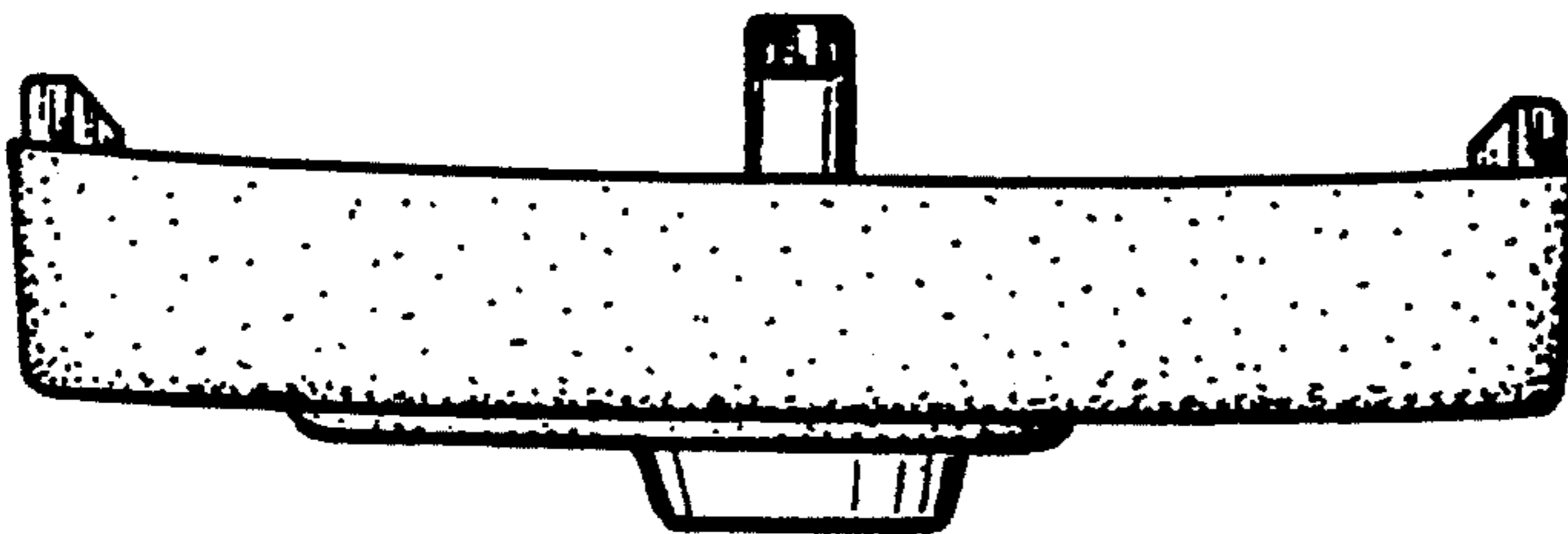


FIG. 2.

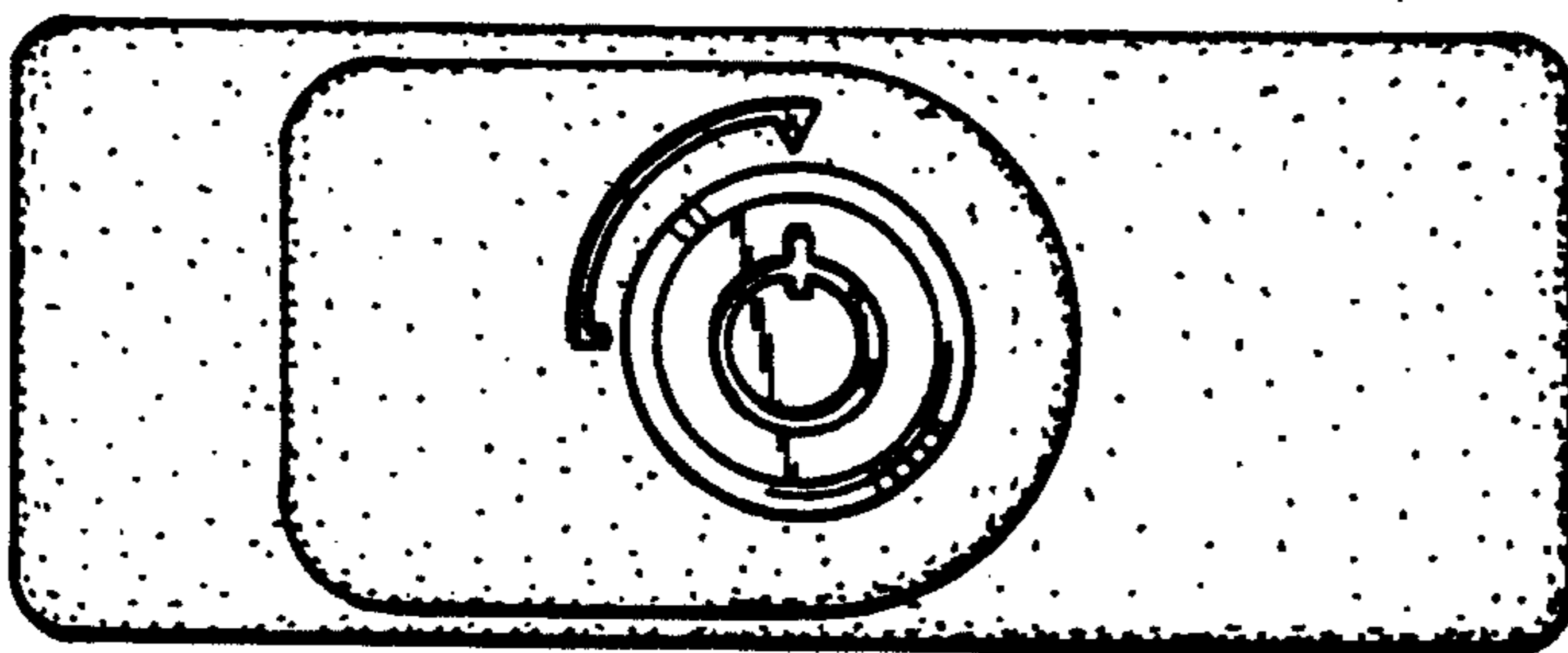


FIG. 3.

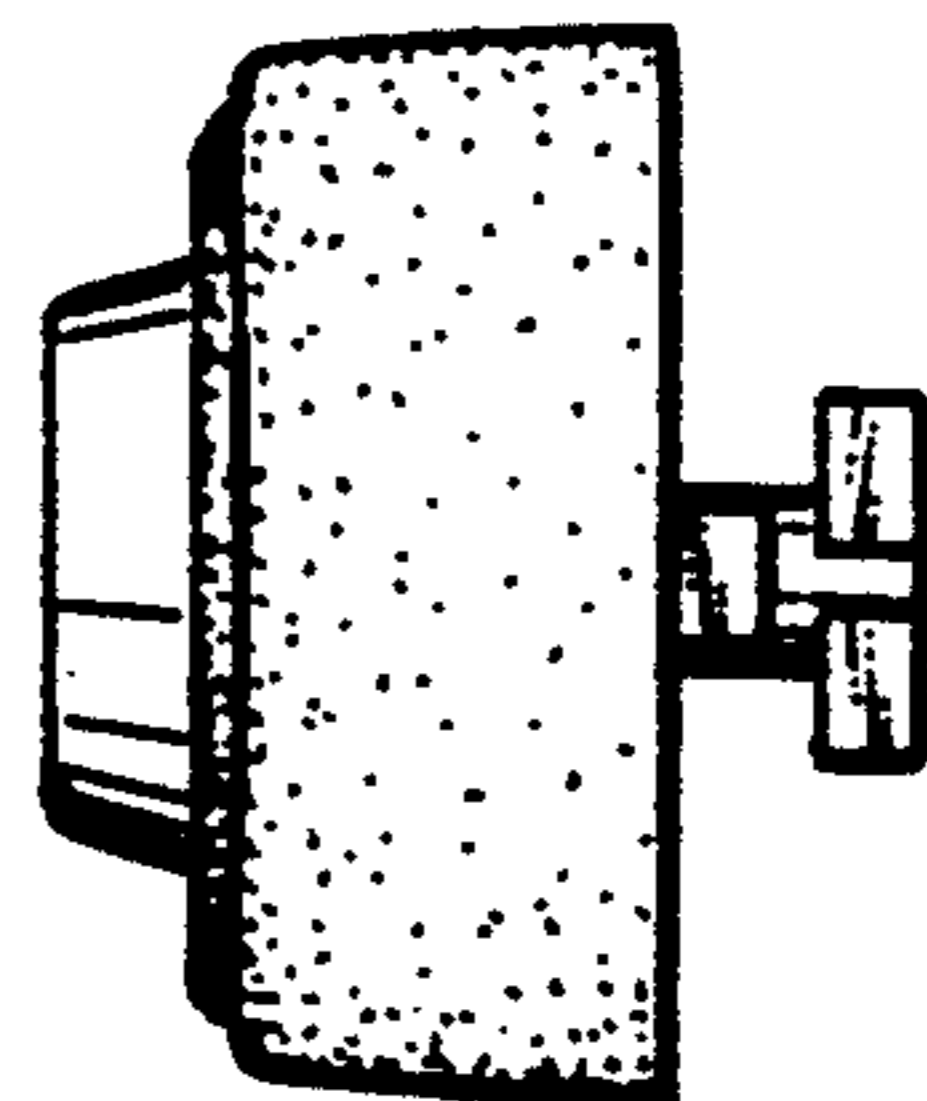


FIG. 4.

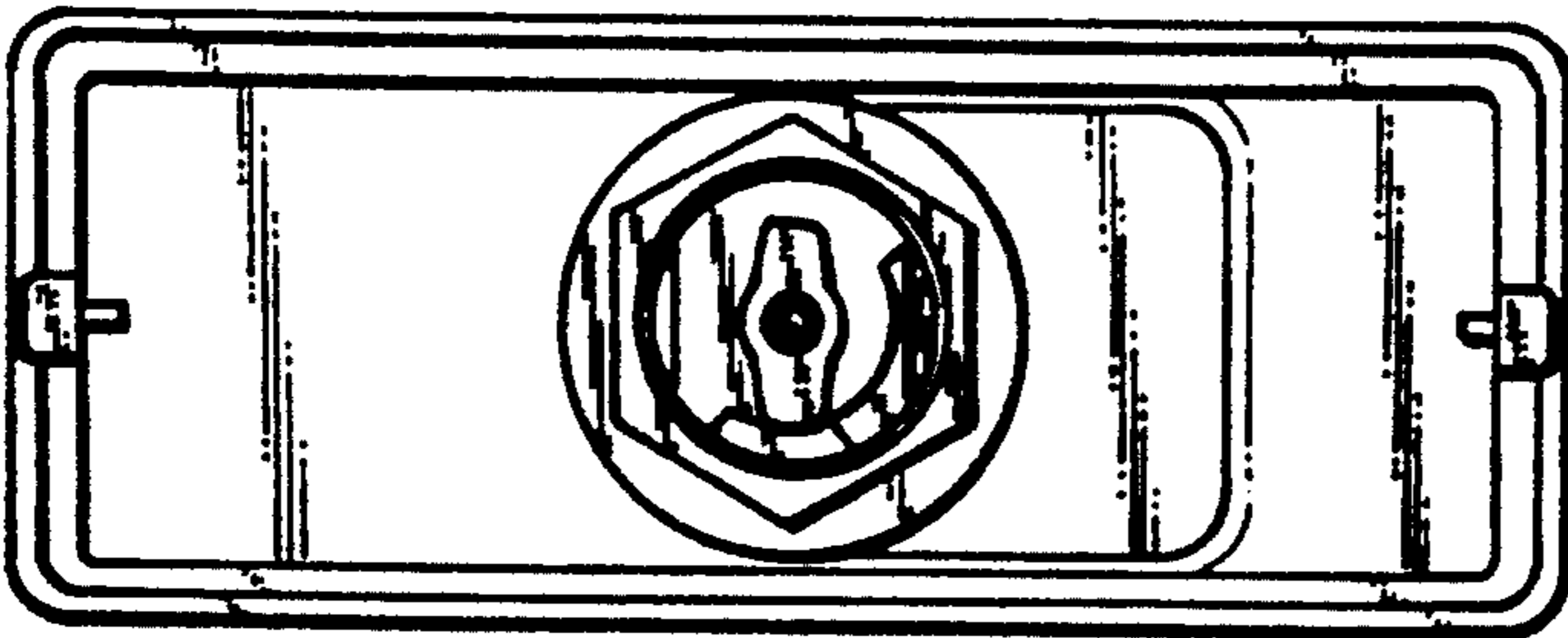


FIG. 6.

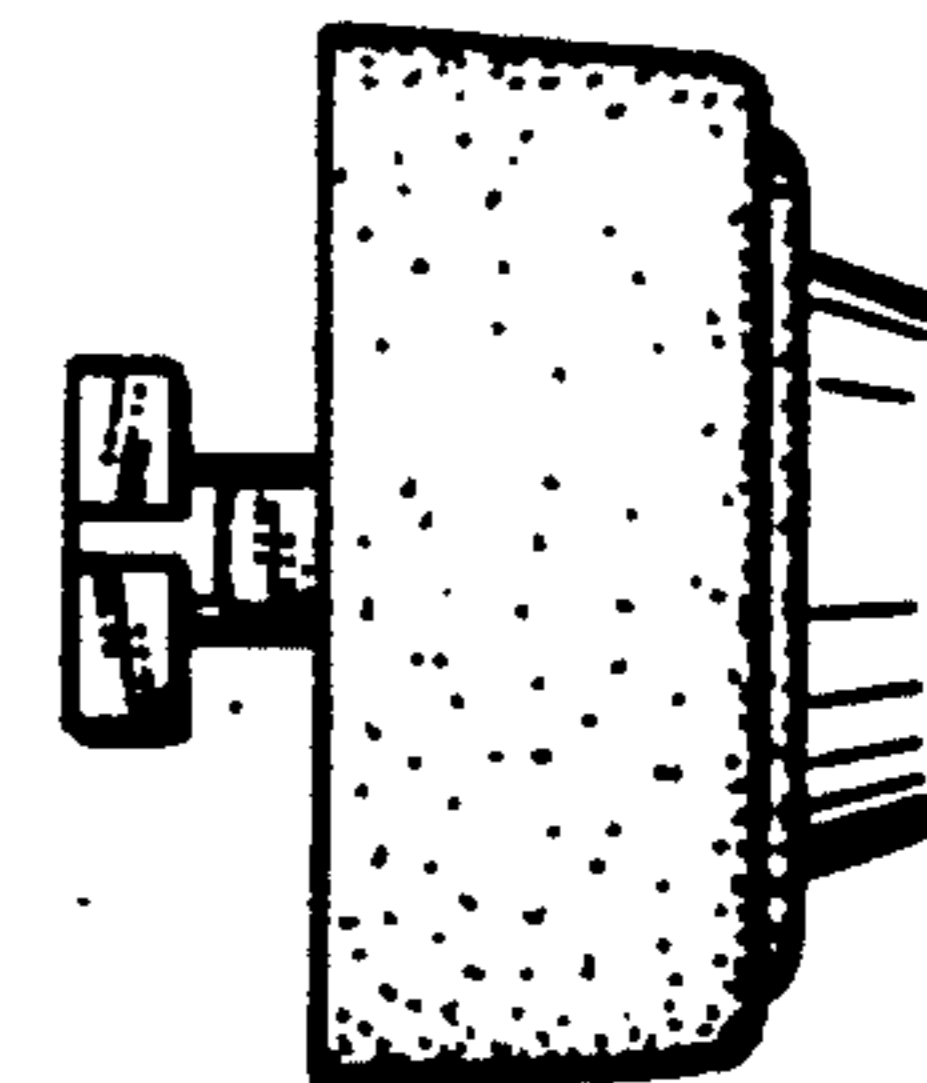


FIG. 5.

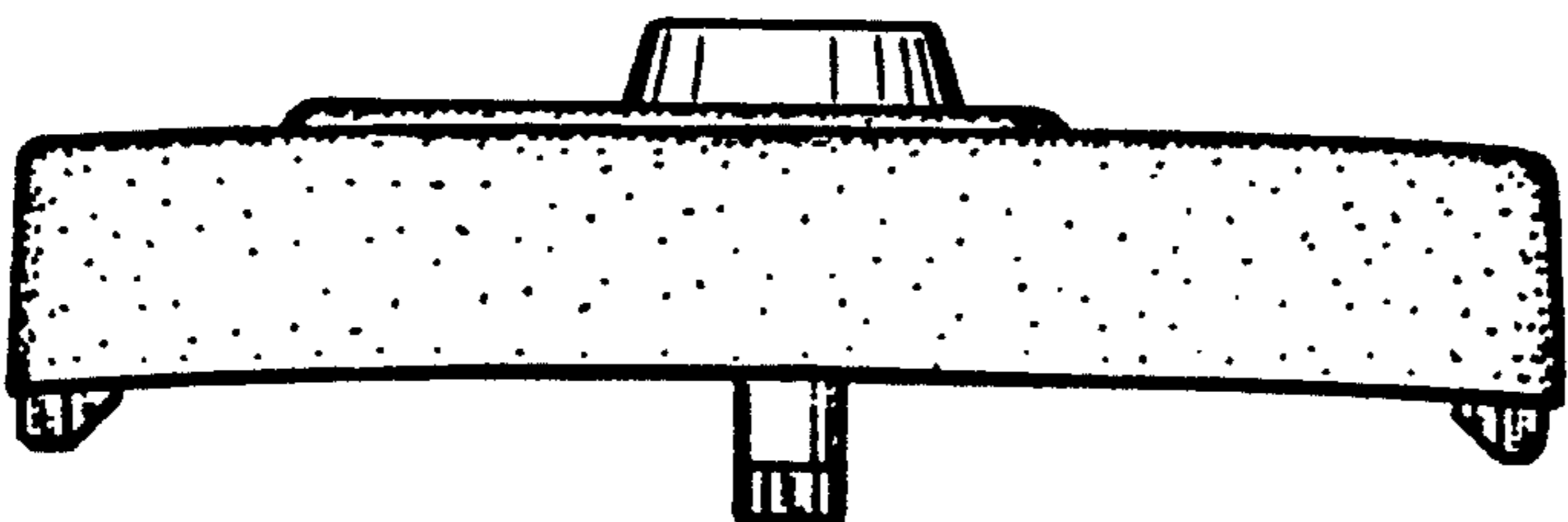


FIG. 7.



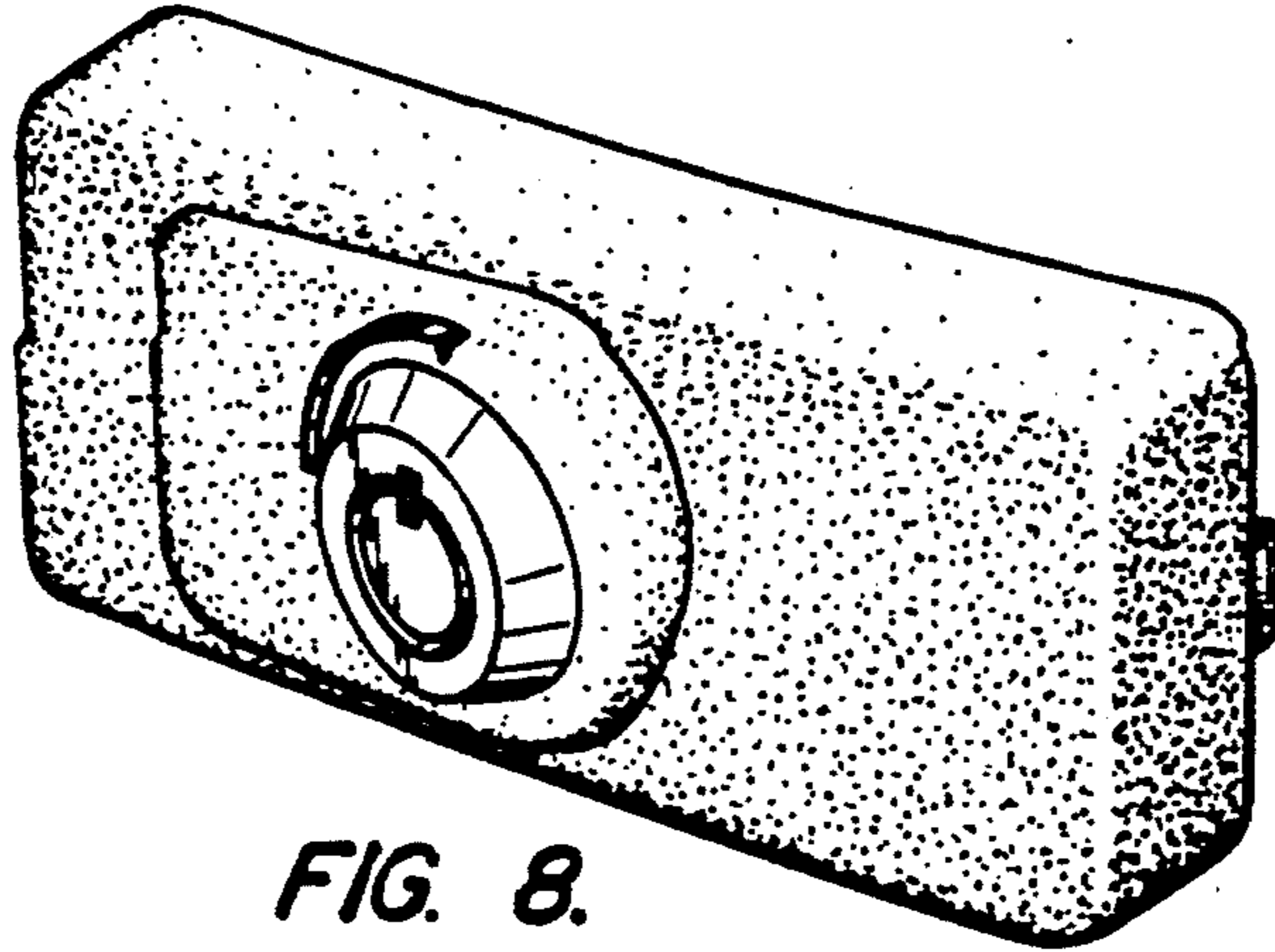


FIG. 8.

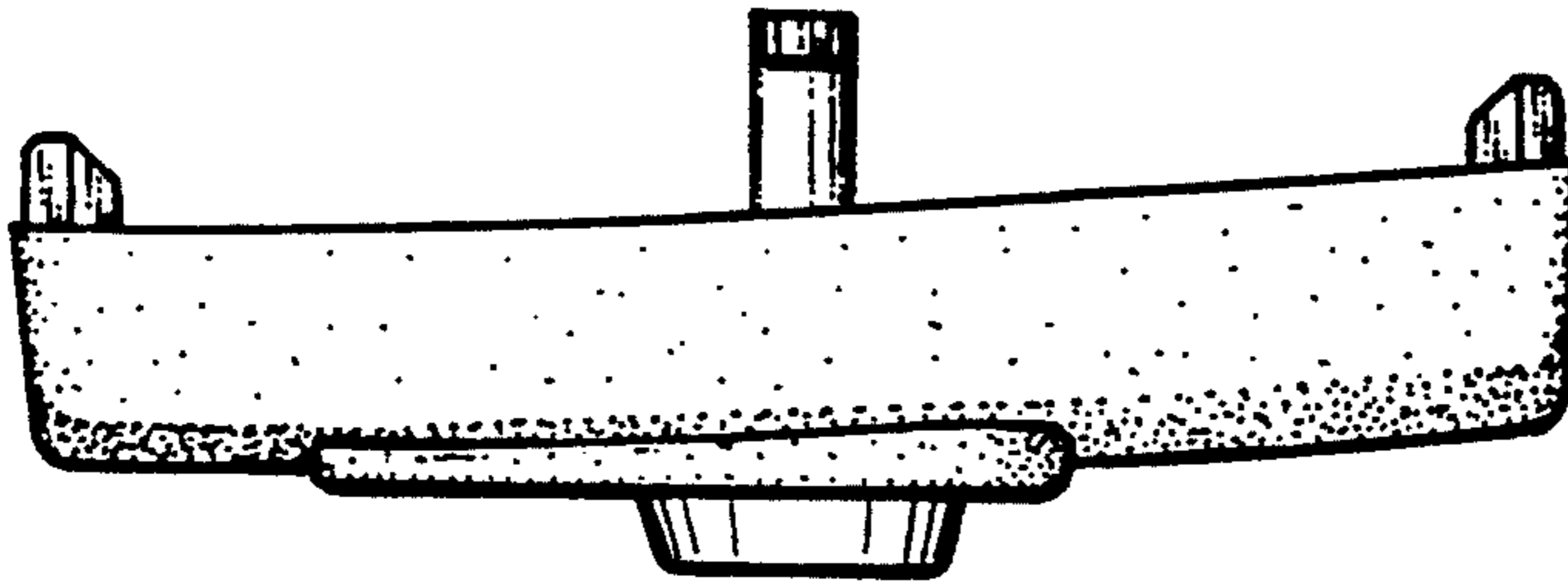


FIG. 9.

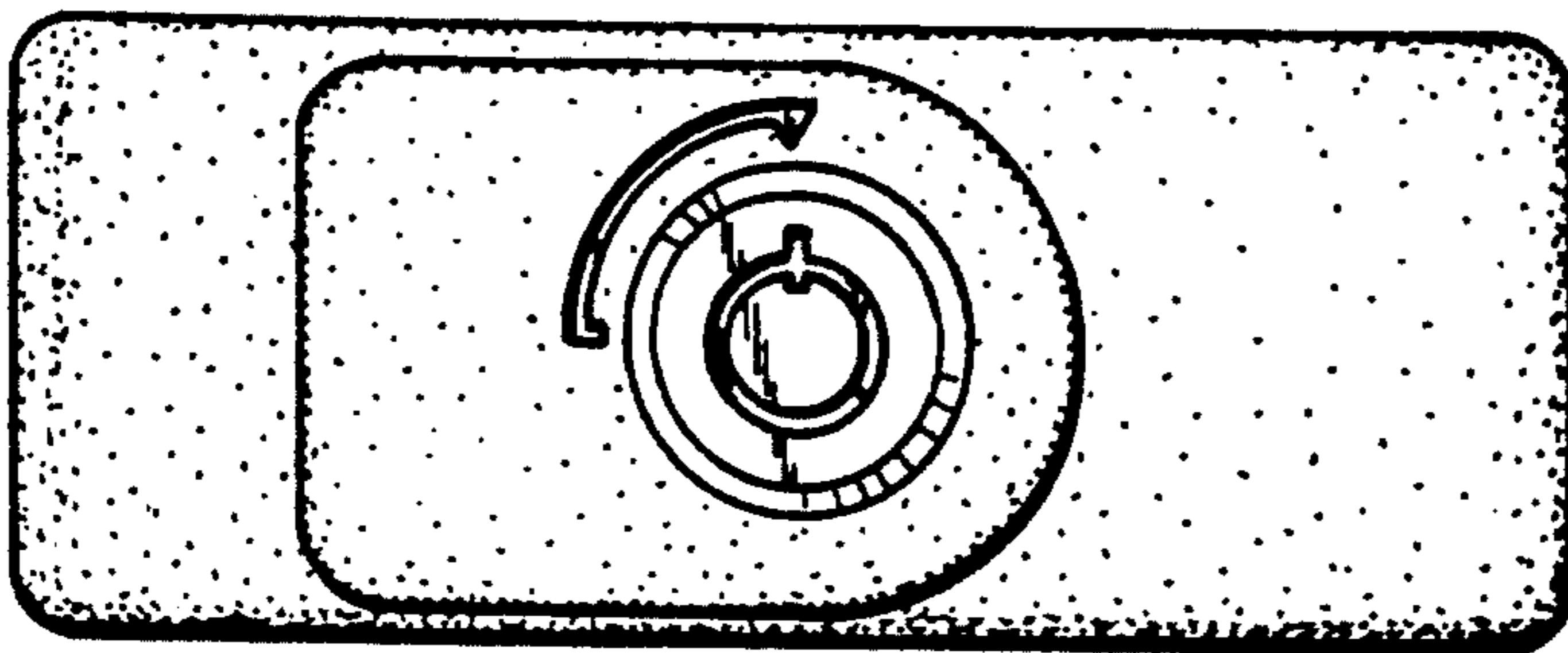


FIG. 10.

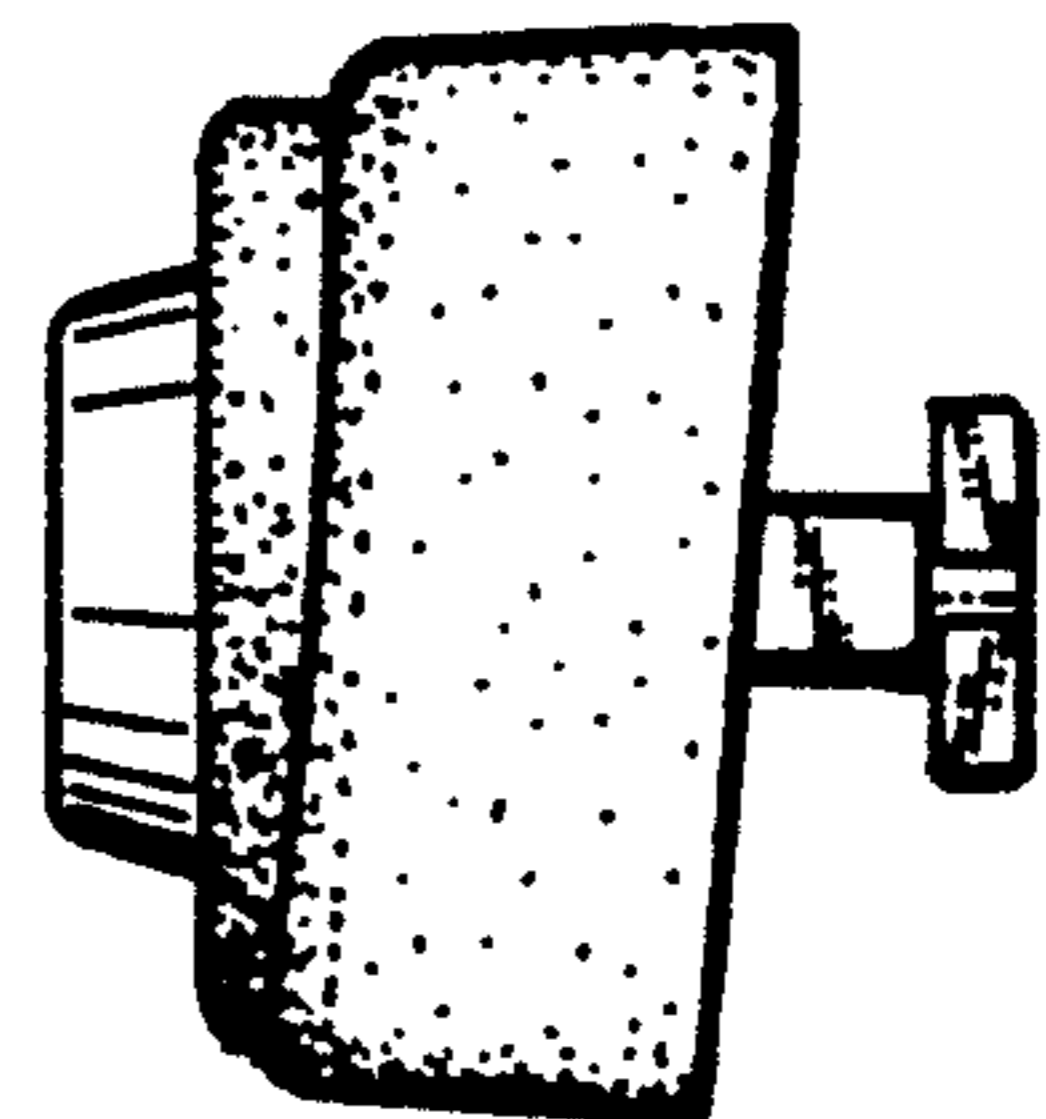


FIG. 11.

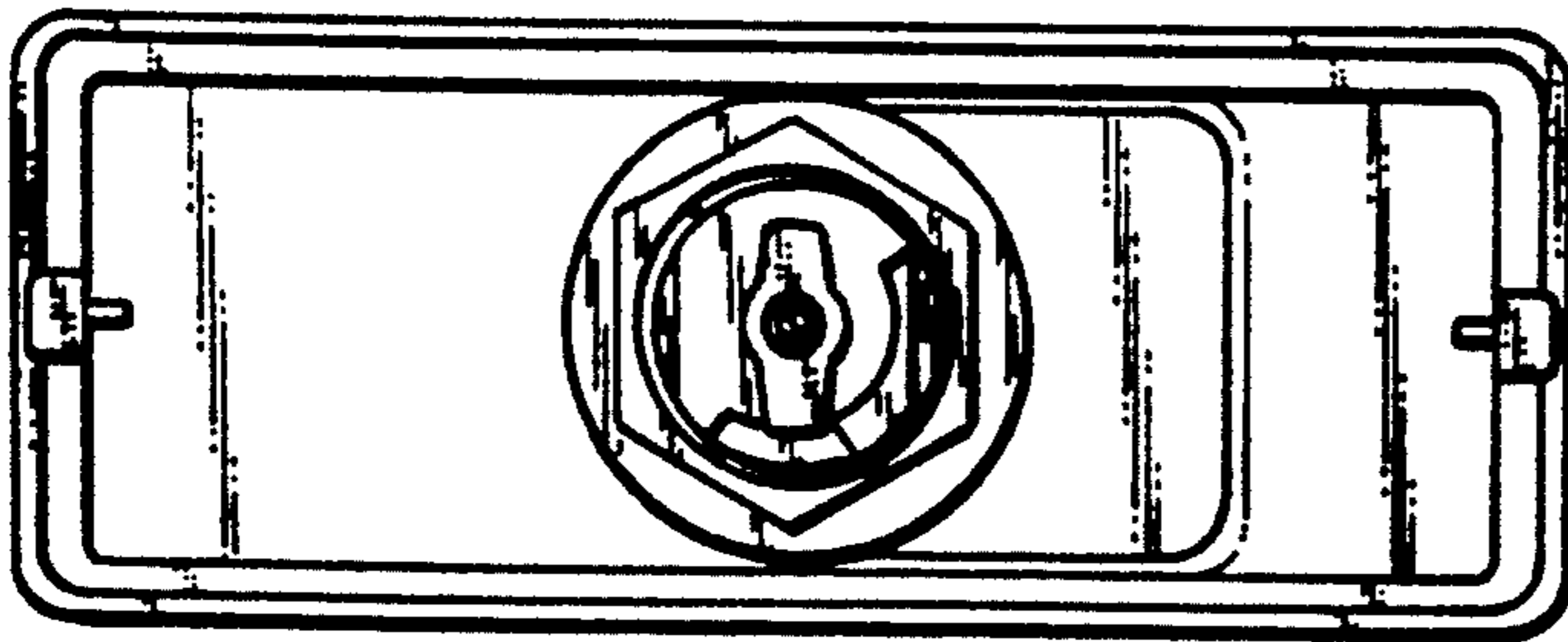


FIG. 13.

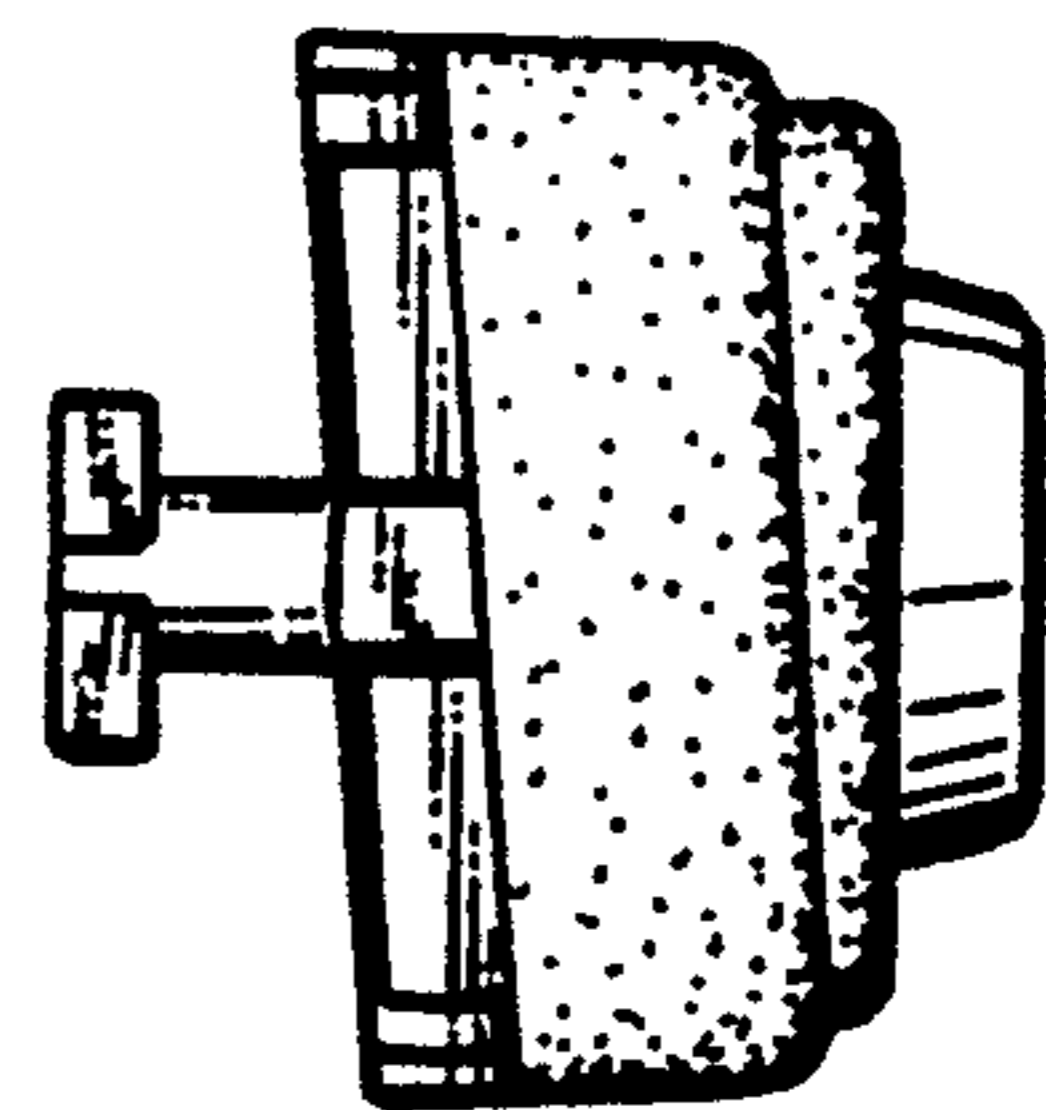


FIG. 12.

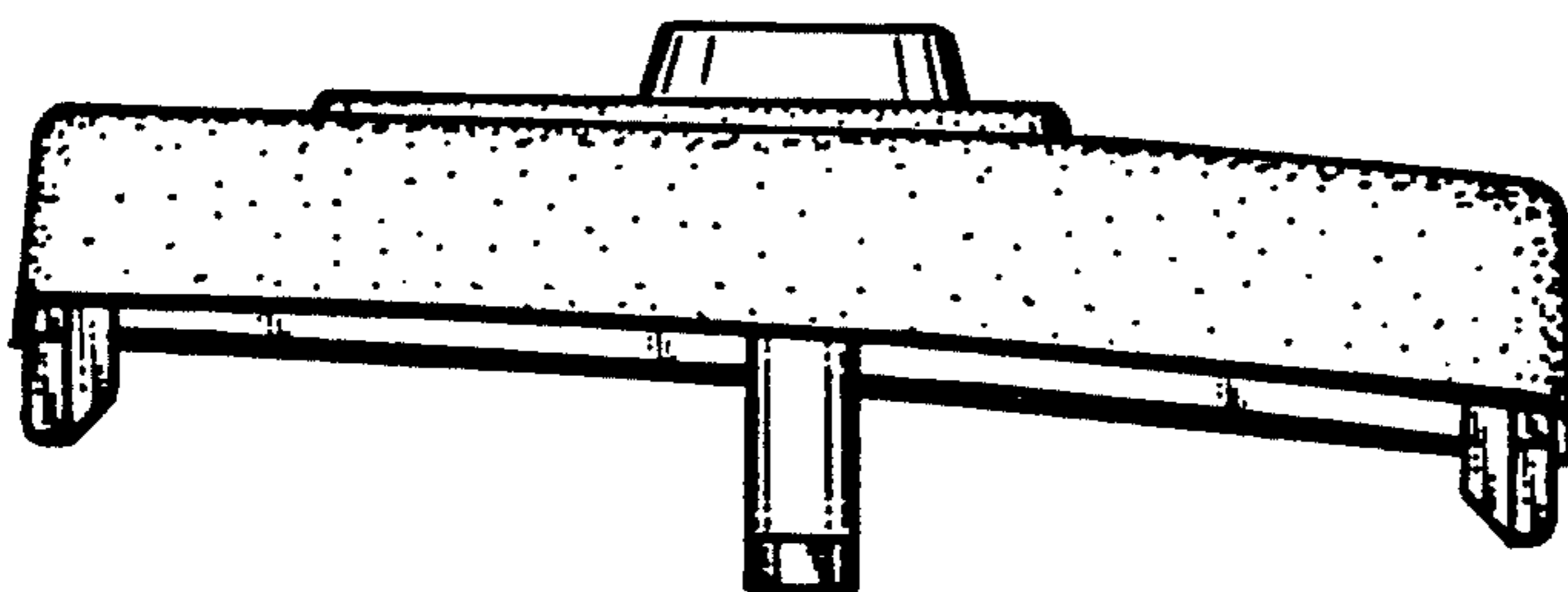


FIG. 14.

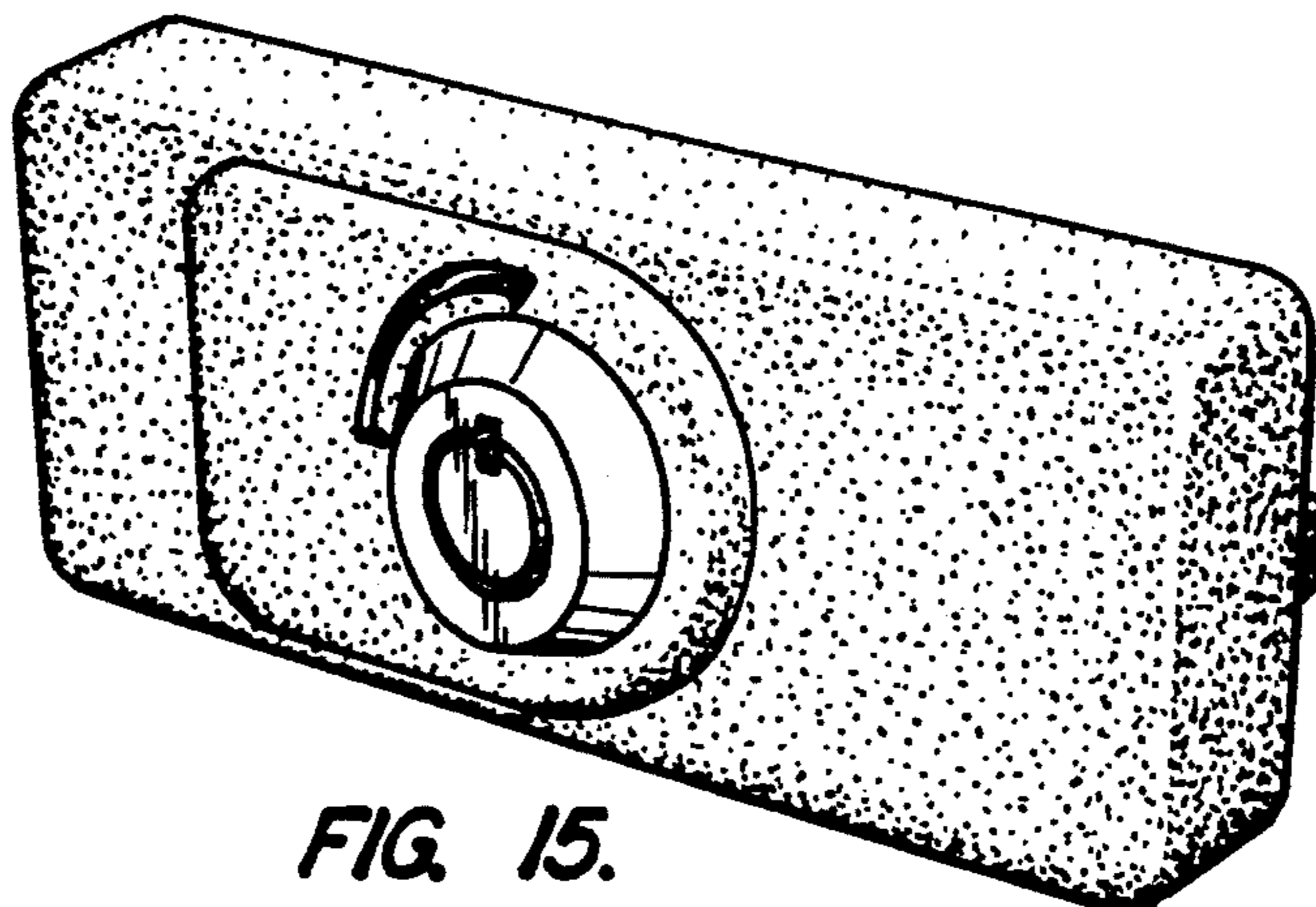


FIG. 15.

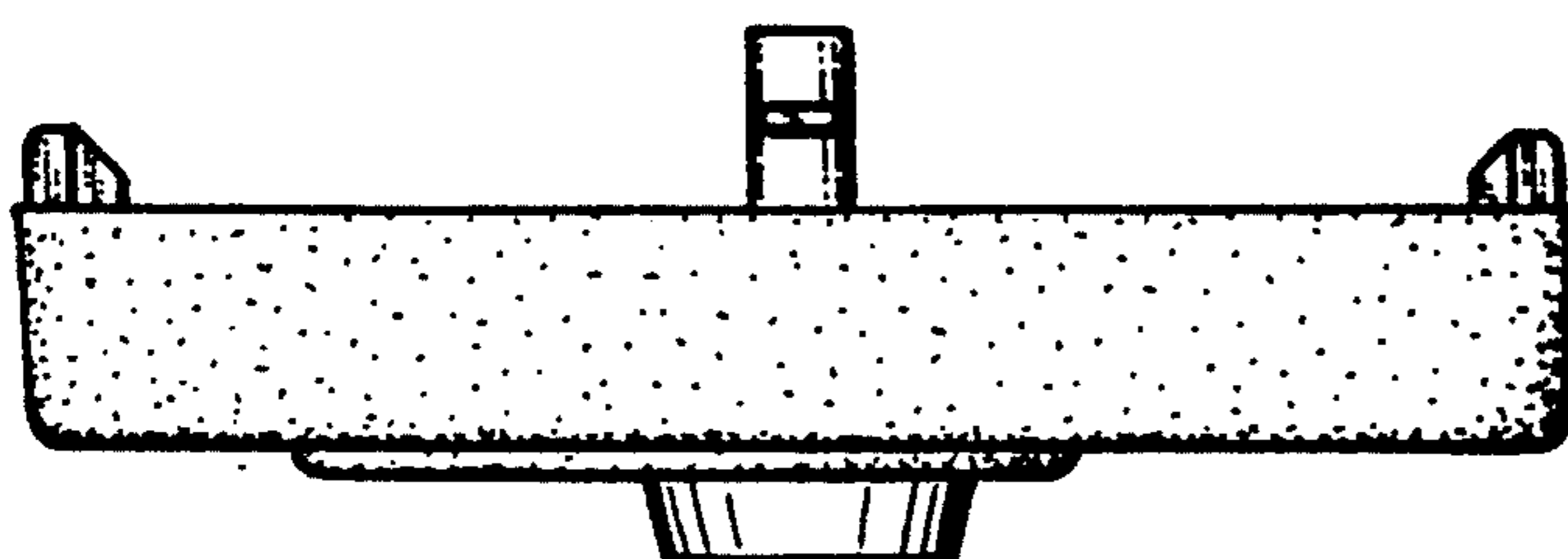


FIG. 16.

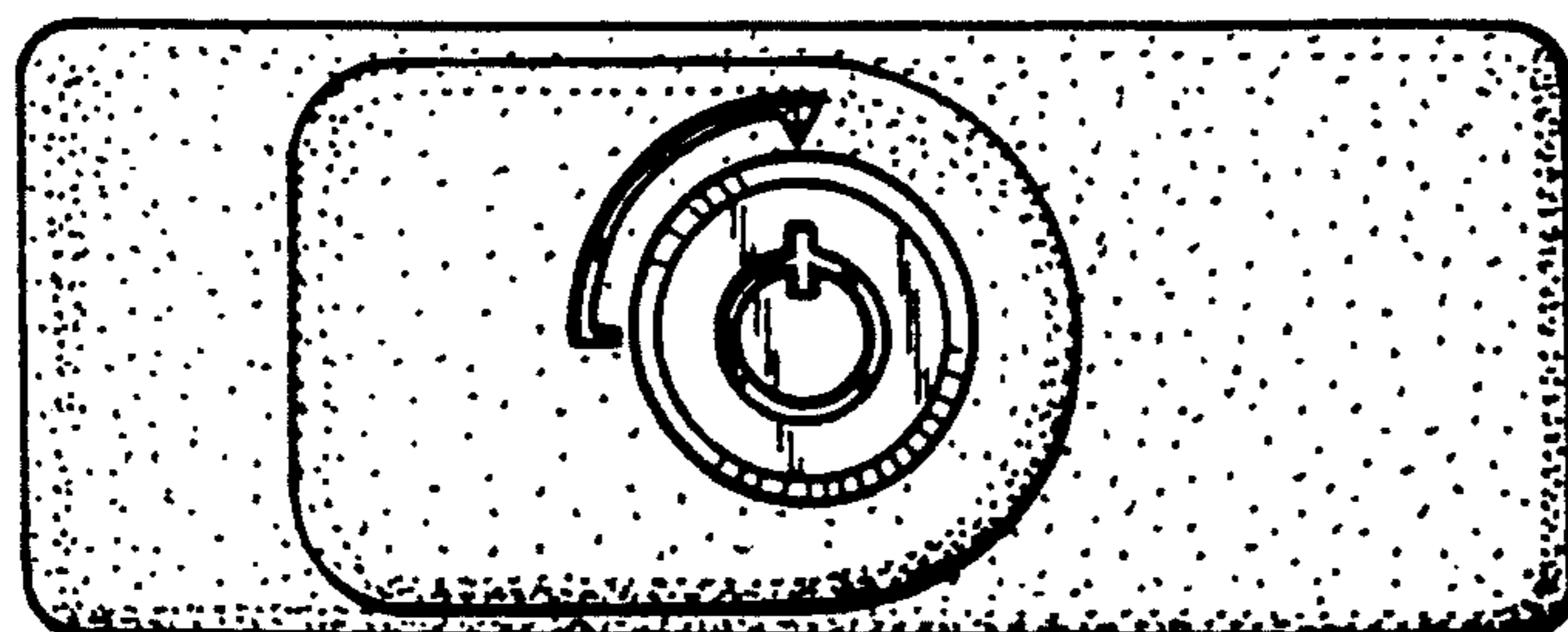


FIG. 17.

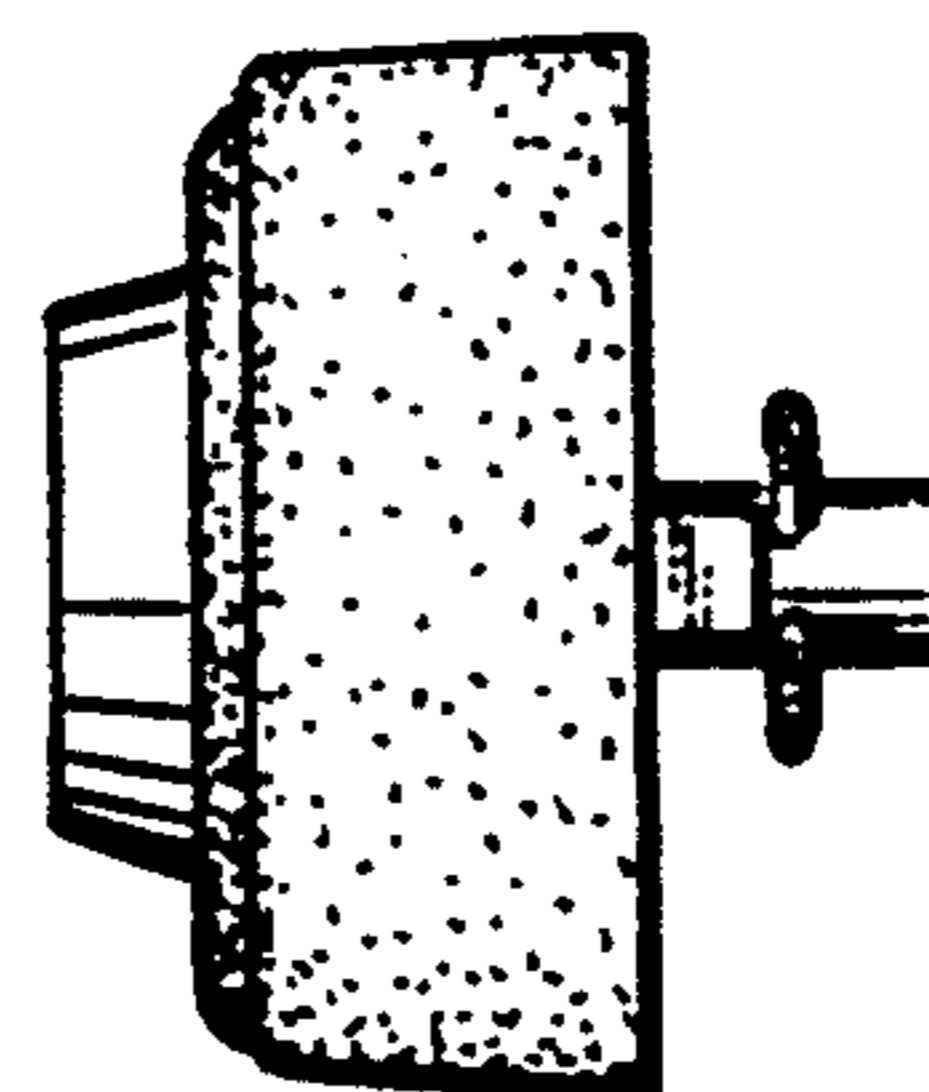


FIG. 18.

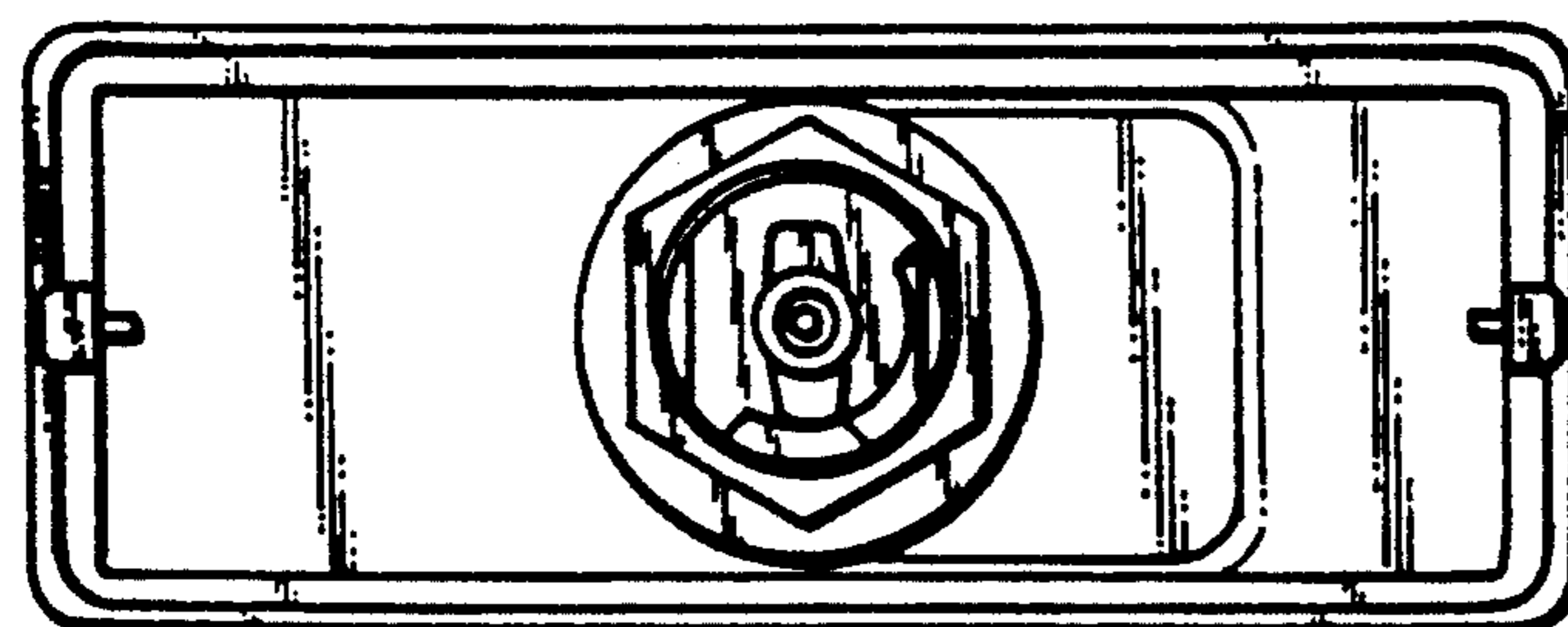


FIG. 20.

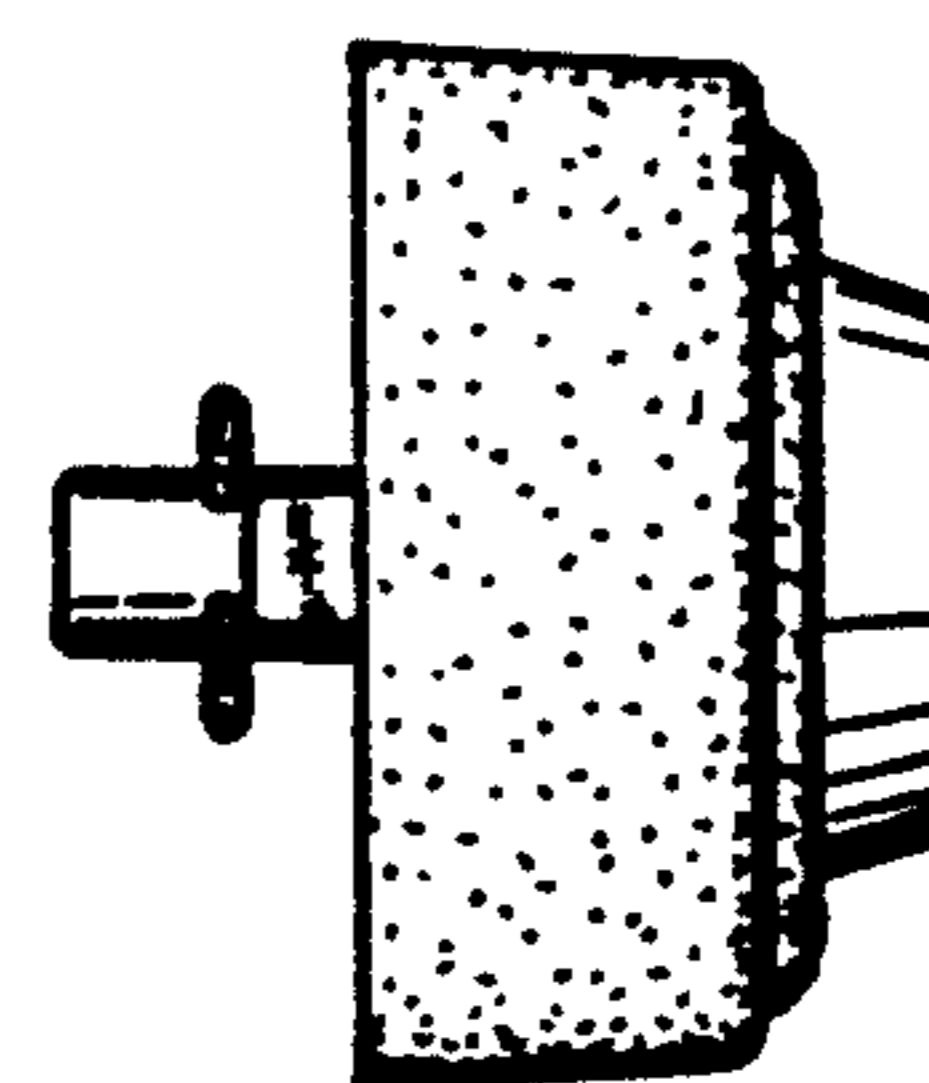


FIG. 19.

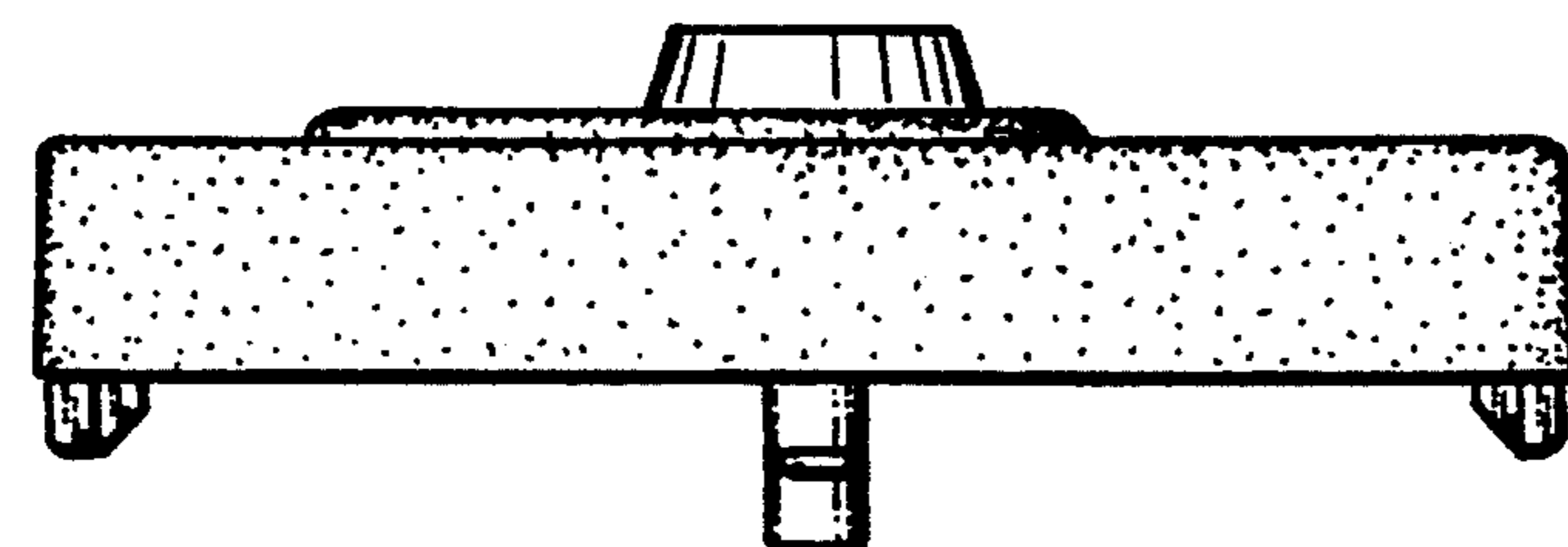


FIG. 21.