



US00D337039S

United States Patent [19]

[11] Patent Number: **Des. 337,039**

Noga

[45] Date of Patent: **** Jul. 6, 1993**

[54] **MECHANICAL HAND**

[76] Inventor: **Robert A. Noga**, 13404 Calais Dr.,
Del Mar, Calif. 92024

[**] Term: **14 Years**

[21] Appl. No.: **797,234**

[22] Filed: **Nov. 25, 1991**

[52] U.S. Cl. **D8/71; D20/42**

[58] Field of Search **D8/70, 61, 71;**
248/441.1; 27/25.1; D20/42

[56] **References Cited**

U.S. PATENT DOCUMENTS

D. 246,499 11/1977 Poulsen et al. **D8/71**
3,712,350 1/1973 Eynon **D8/70 X**

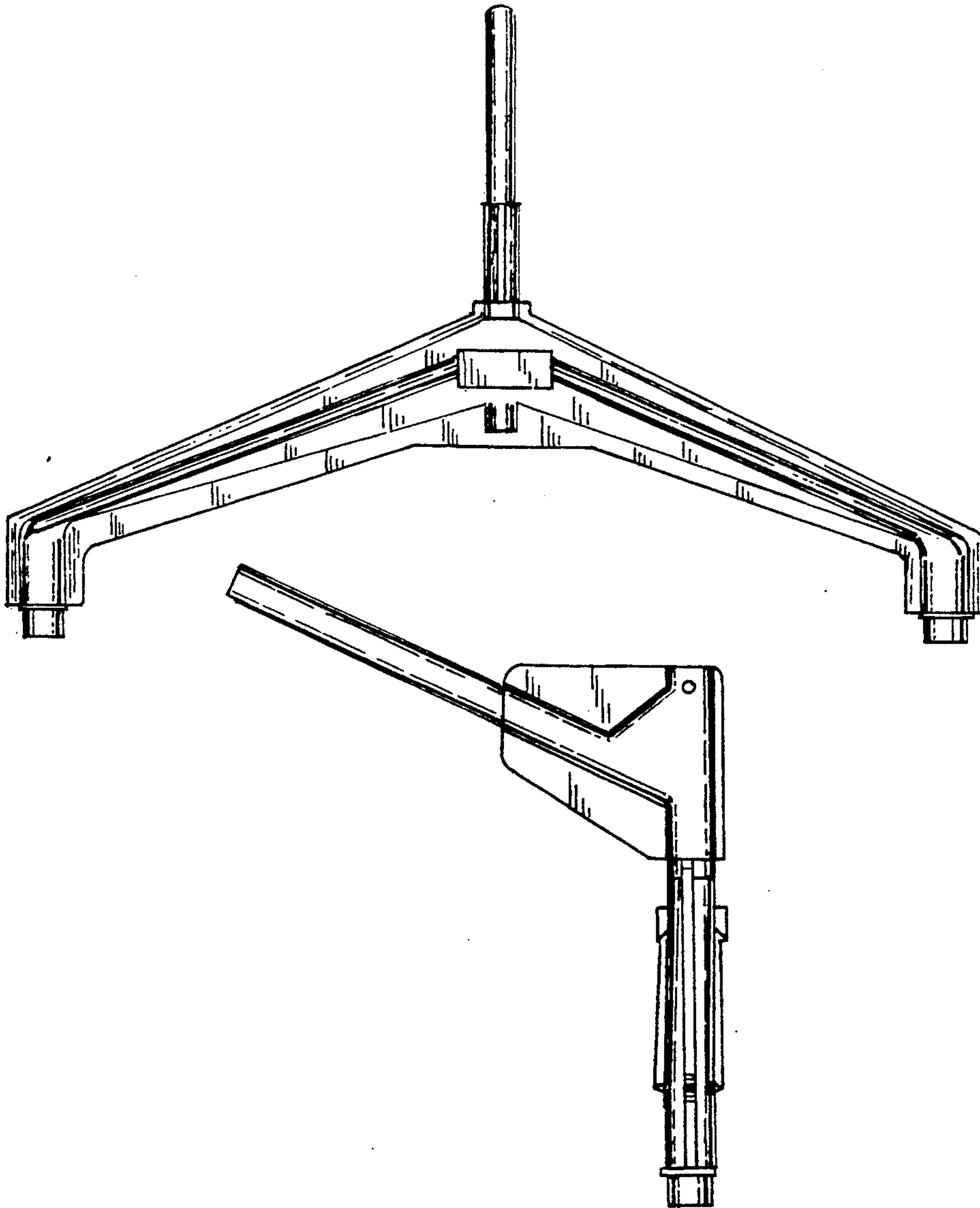
Primary Examiner—Alan P. Douglas
Assistant Examiner—J. H. Musgrove
Attorney, Agent, or Firm—Lewis E. Massie

[57] **CLAIM**

The ornamental design for a mechanical hand, as shown and described.

DESCRIPTION

FIG. 1 is a bottom view of the mechanical hand showing my new design;
FIG. 2 is a right side view thereof, the left side view being a mirror image thereof;
FIG. 3 is a rear view thereof;
FIG. 4 is a front view thereof; and,
FIG. 5 is a top plan view thereof.



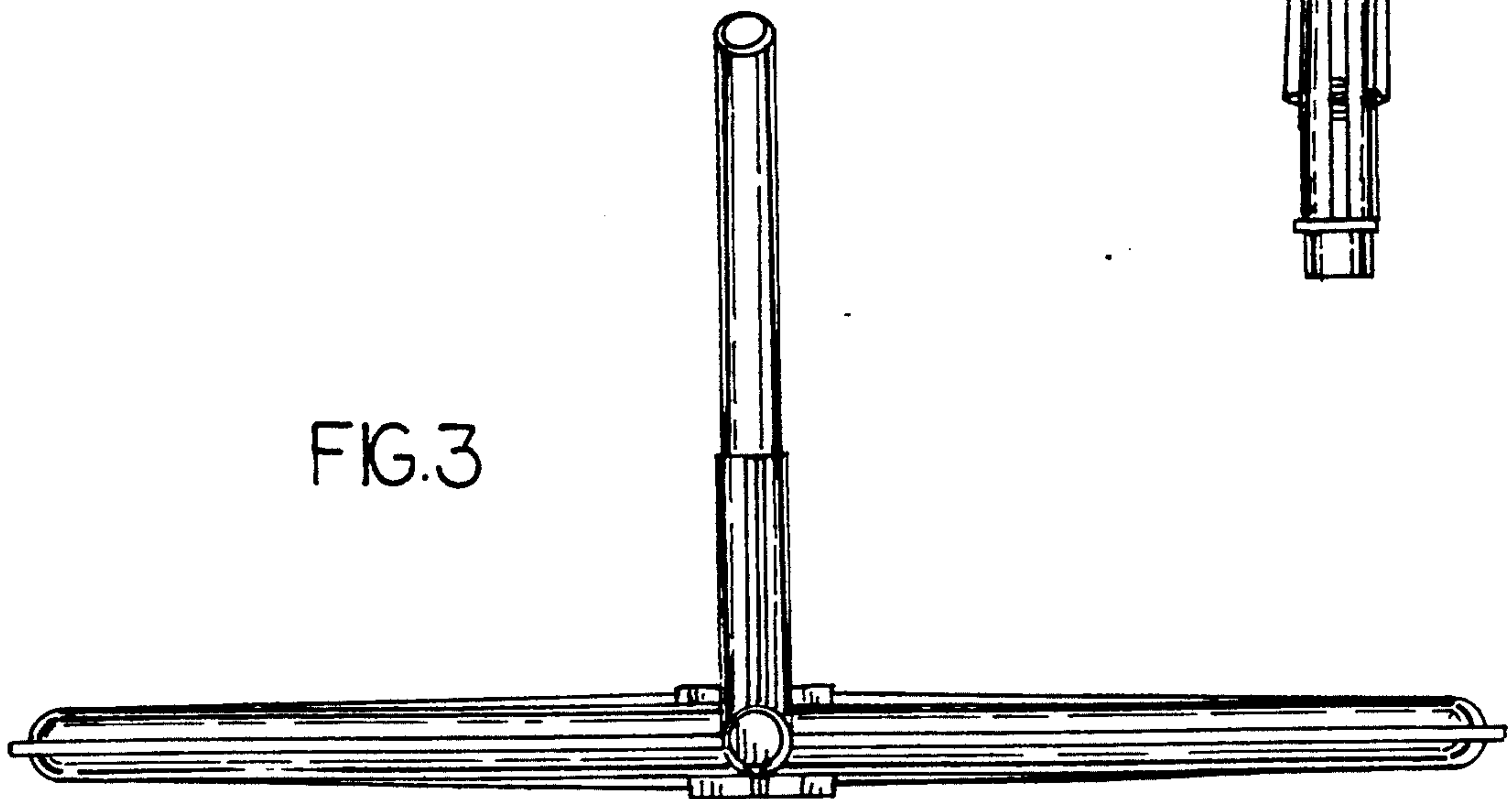
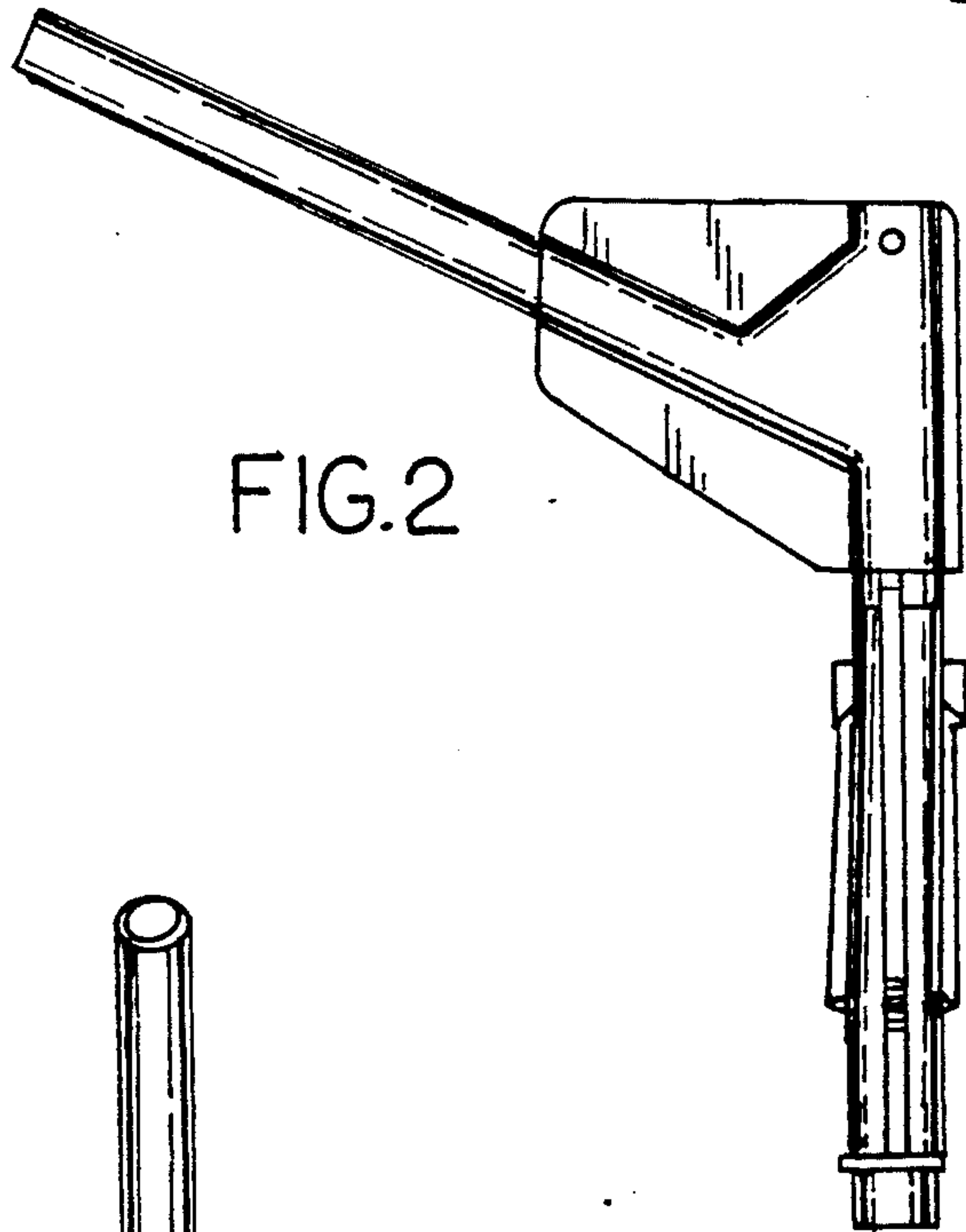
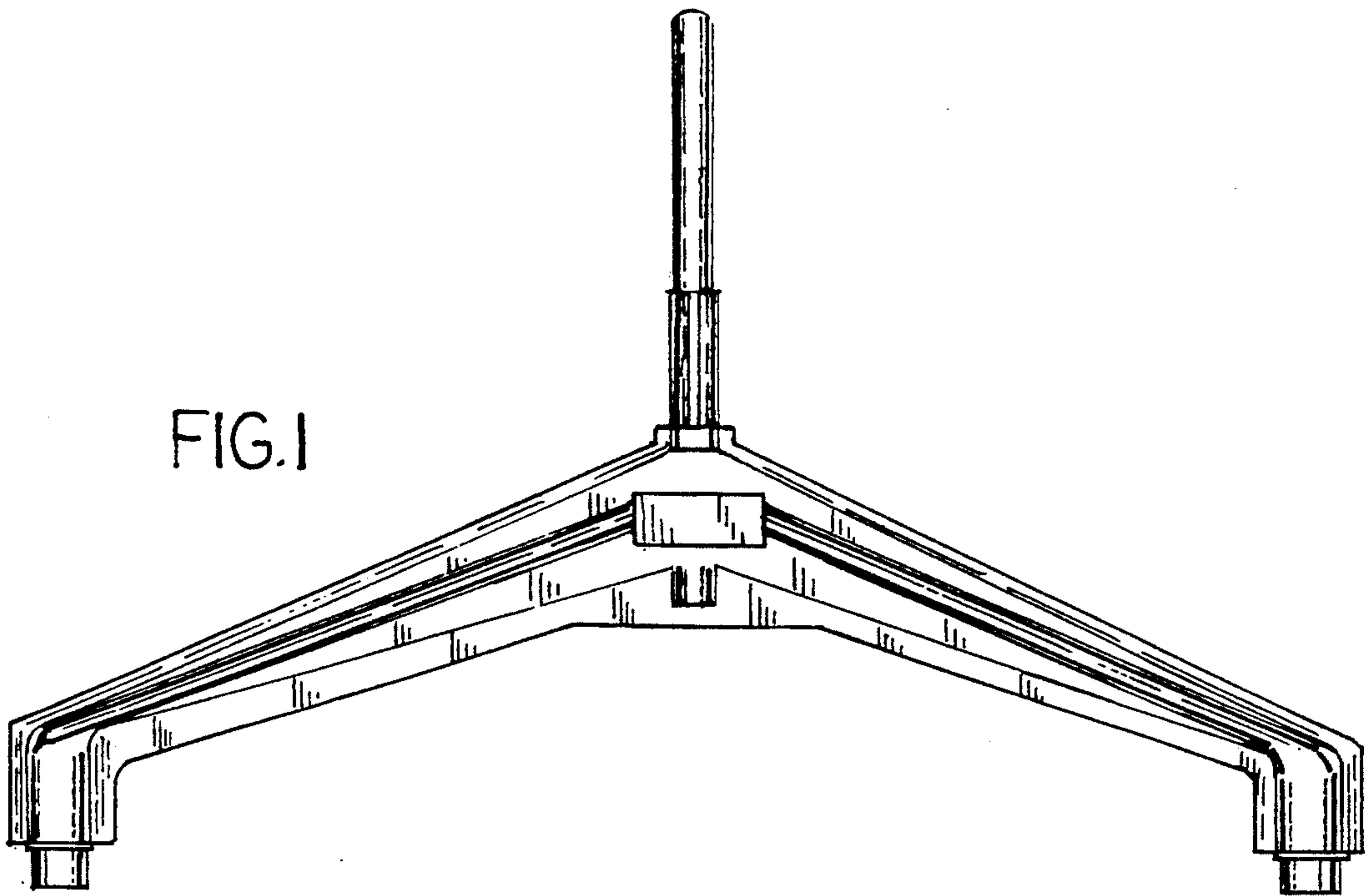


FIG.4

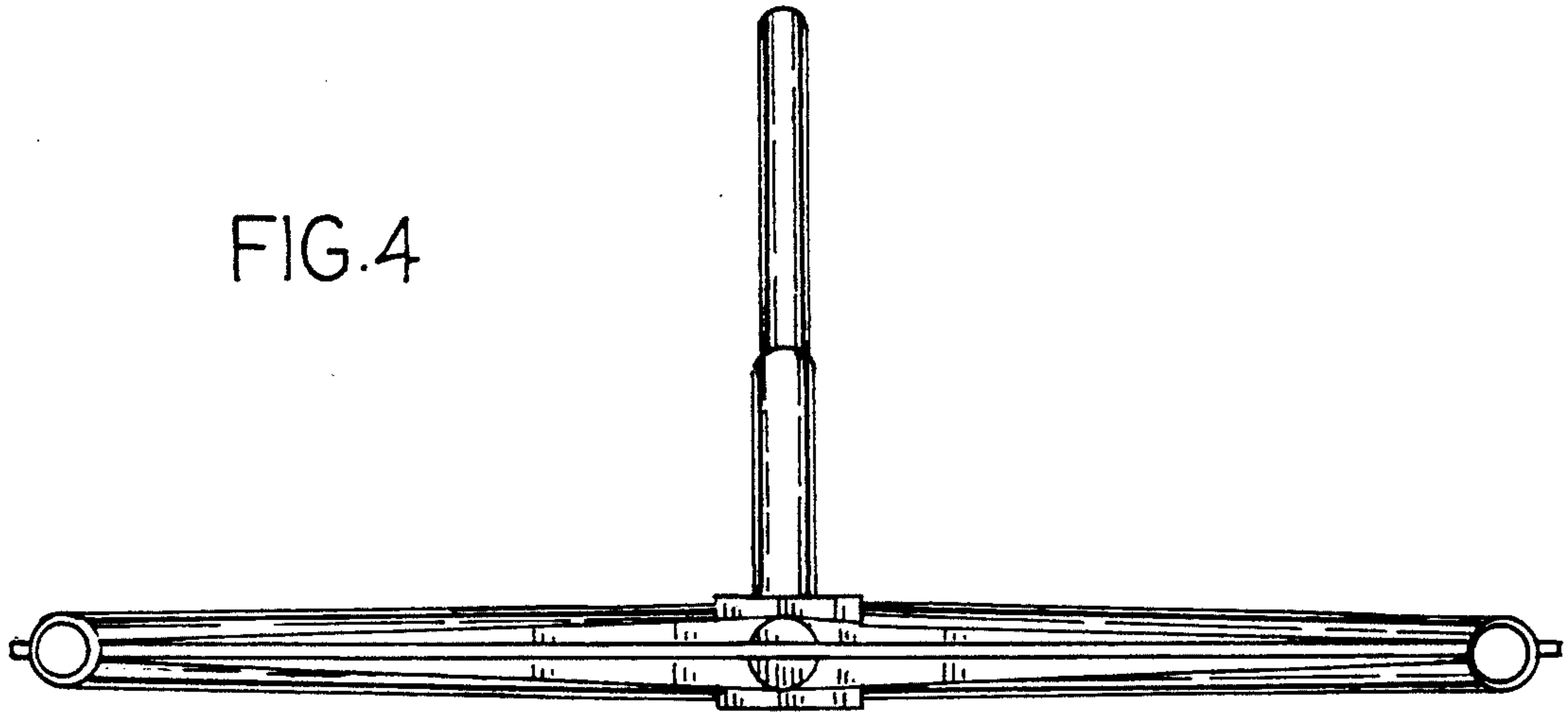


FIG.5

