



US00D337038S

United States Patent [19]

Sakamoto et al.

[11] Patent Number: **Des. 337,038**

[45] Date of Patent: **** Jul. 6, 1993**

[54] **PORTABLE ELECTRIC DRIVER**

[75] Inventors: **Masakazu Sakamoto; Naoki Kikuchi,**
both of Tokyo, Japan

[73] Assignee: **Ryobi Ltd., Hiroshima, Japan**

[**] Term: **14 Years**

[21] Appl. No.: **740,200**

[22] Filed: **Aug. 2, 1991**

[30] **Foreign Application Priority Data**

Feb. 4, 1991 [JP] Japan 3-2726

[52] U.S. Cl. **D8/68**

[58] Field of Search D8/68, 61; 81/54, 57,
81/57.11, 57.13, 434; 173/170; 408/125, 124;
227/136, 8, 12

[56] **References Cited**

U.S. PATENT DOCUMENTS

D. 296,655 7/1988 Yonezawa et al. D8/68

D. 302,786 8/1989 Fushiya et al. D8/68
D. 330,152 10/1992 Ogawa et al. D8/68
3,971,421 7/1976 Damratowski 81/434
5,027,679 7/1991 Kawashima et al. 81/434

Primary Examiner—Nelson C. Holtje
Assistant Examiner—J. H. Musgrove
Attorney, Agent, or Firm—Sughrue, Mion, Zinn,
Macpeak & Seas

[57] CLAIM

The ornamental design for a portable electric driver, as shown.

DESCRIPTION

FIG. 1 is a front, top and right side perspective view of a portable electric driver showing our new design; FIG. 2 is a right side elevational view thereof; FIG. 3 is a top plan view thereof; FIG. 4 is a left side elevational view thereof; FIG. 5 is a front elevational view thereof; FIG. 6 is a rear elevational view thereof; and, FIG. 7 is a bottom plan view thereof.

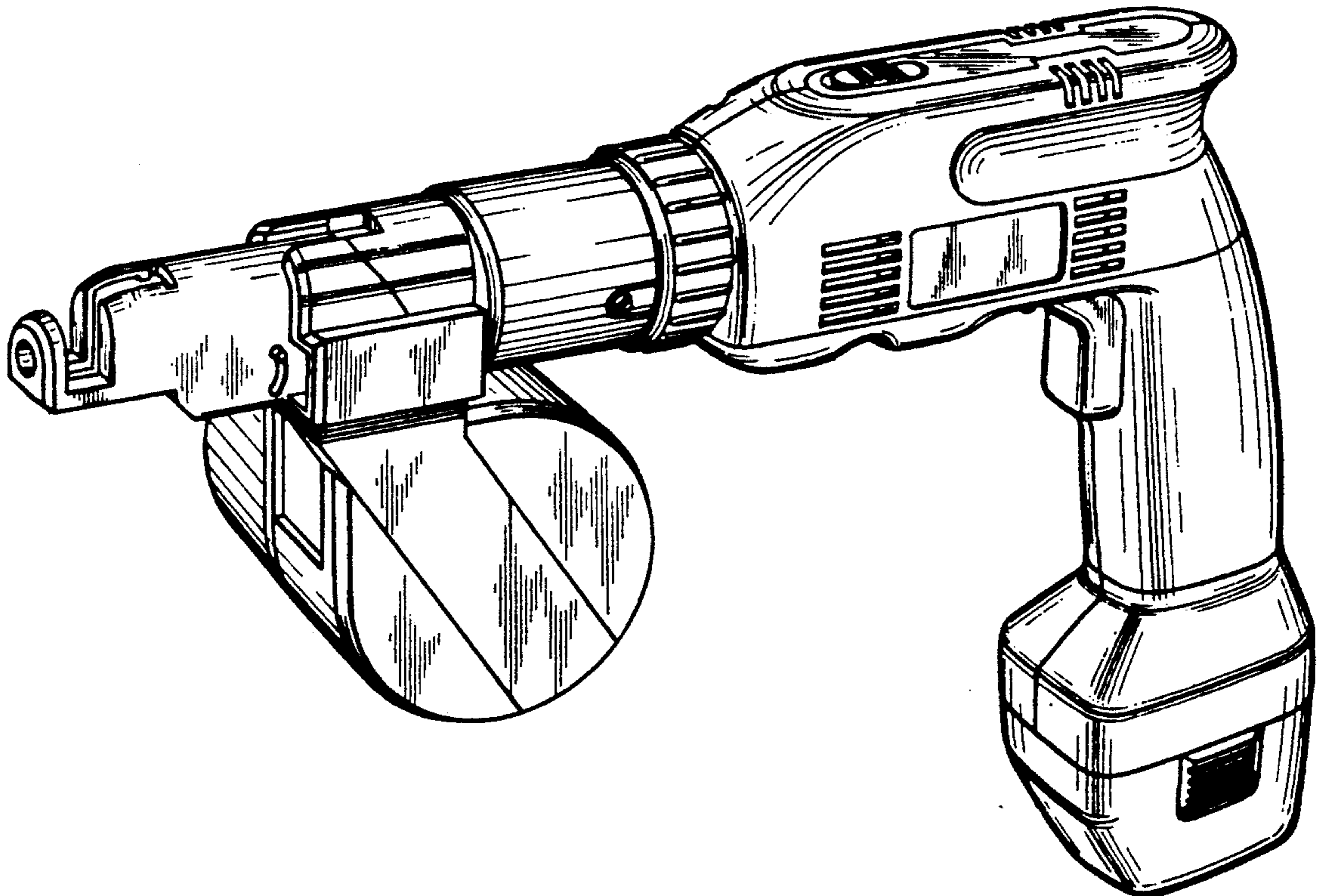


FIG. 1

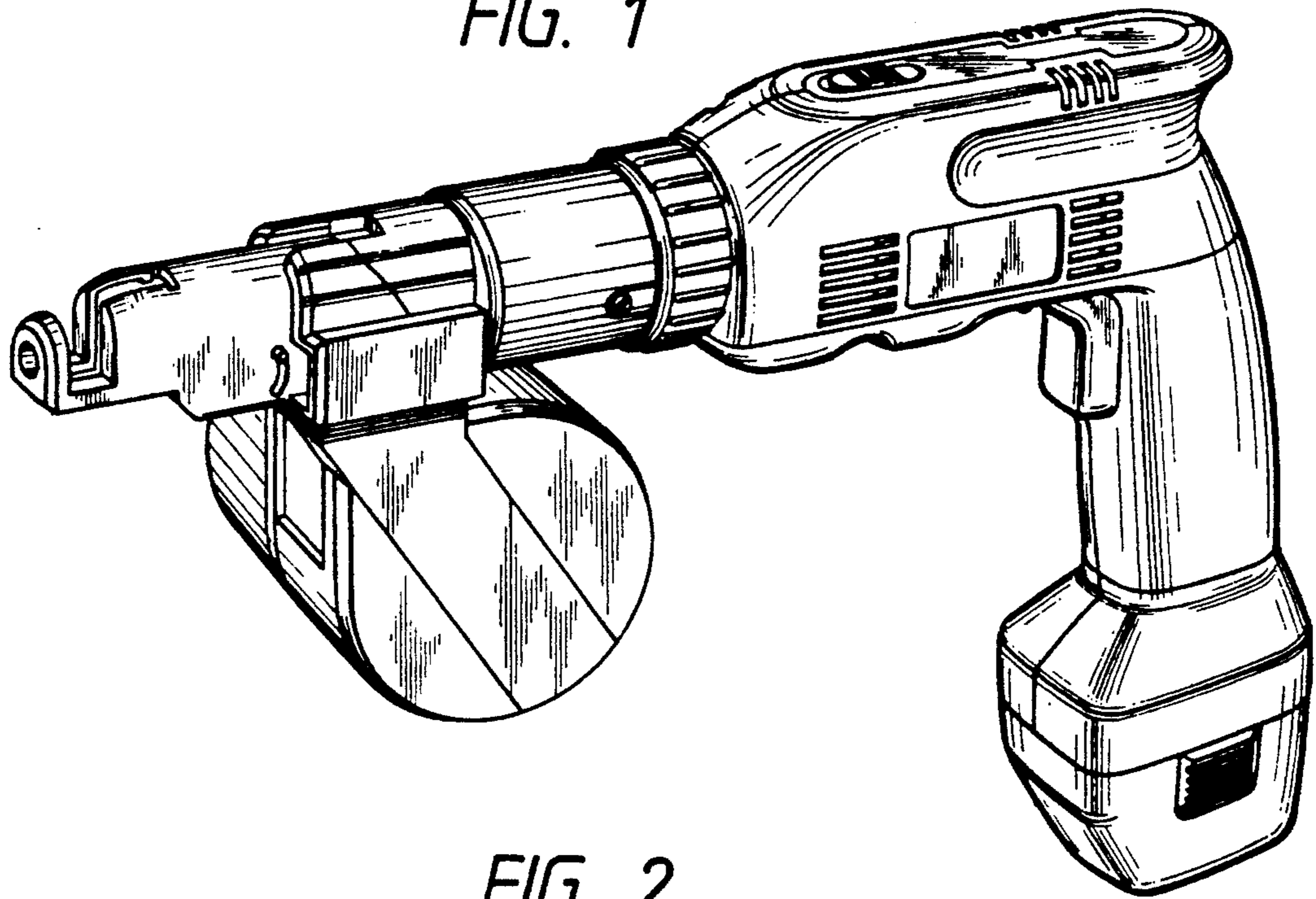


FIG. 2

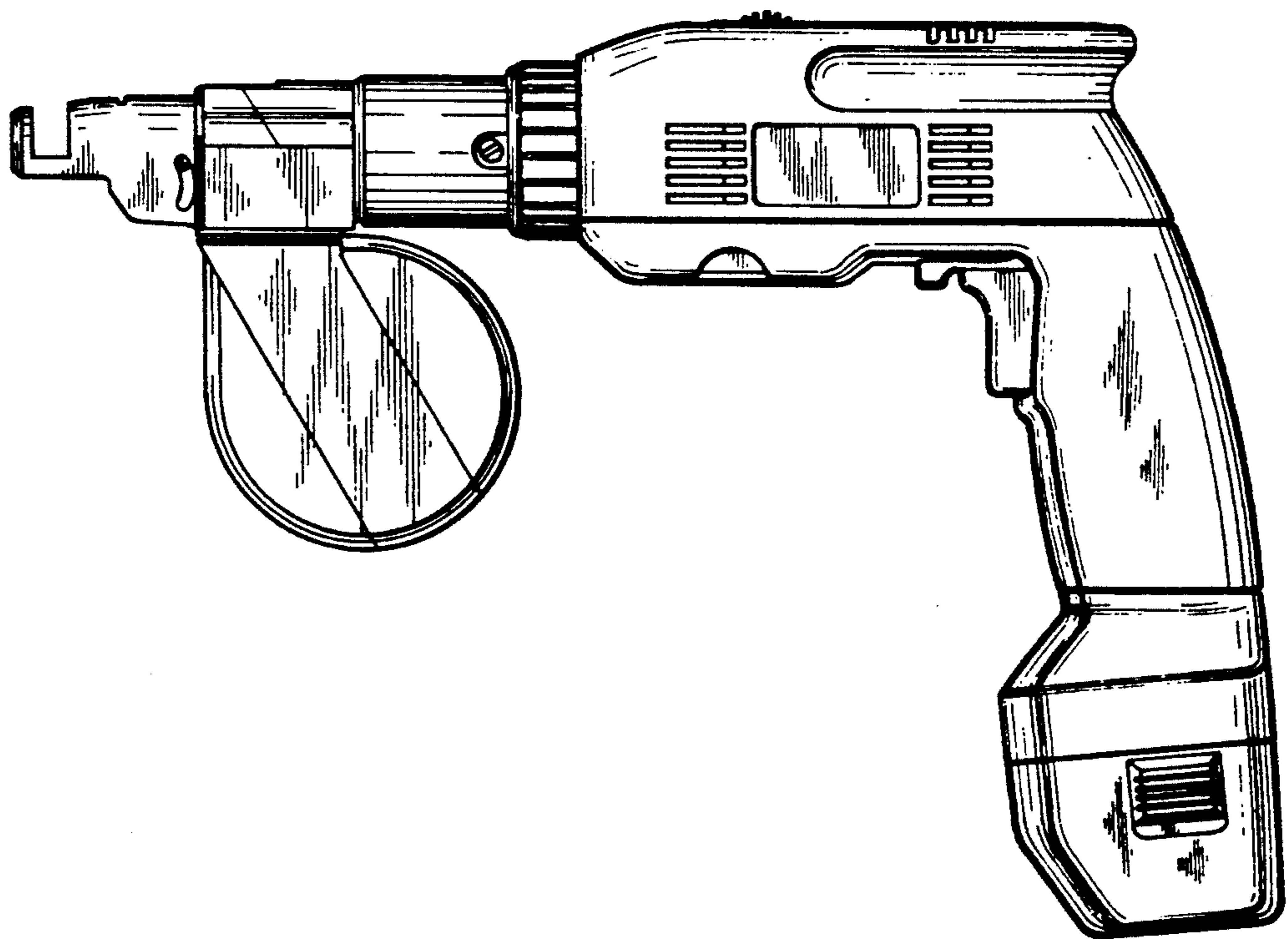


FIG. 3

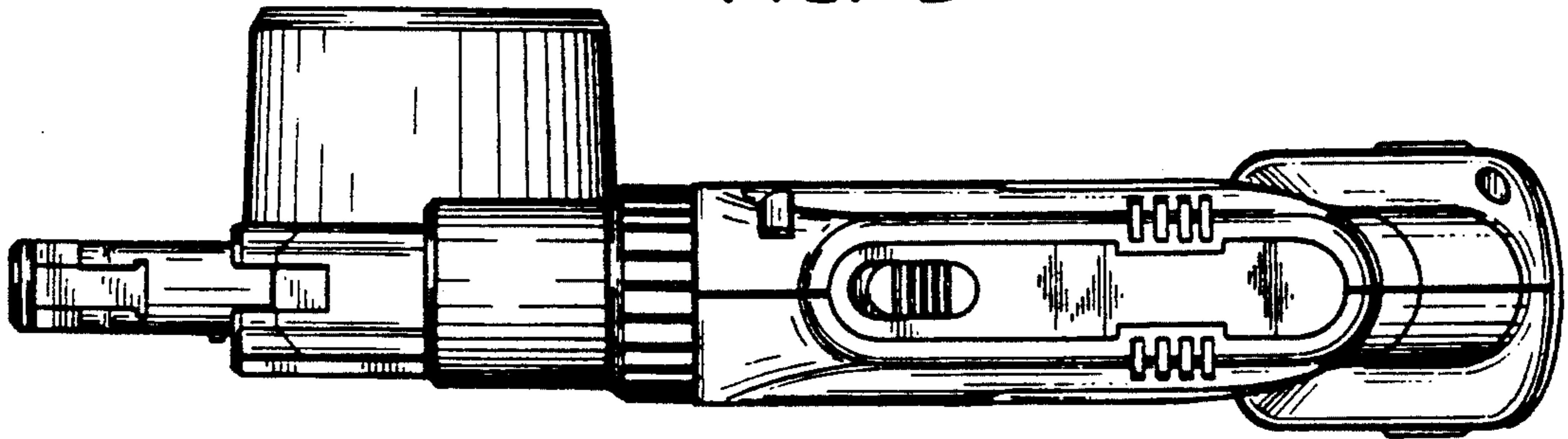


FIG. 4

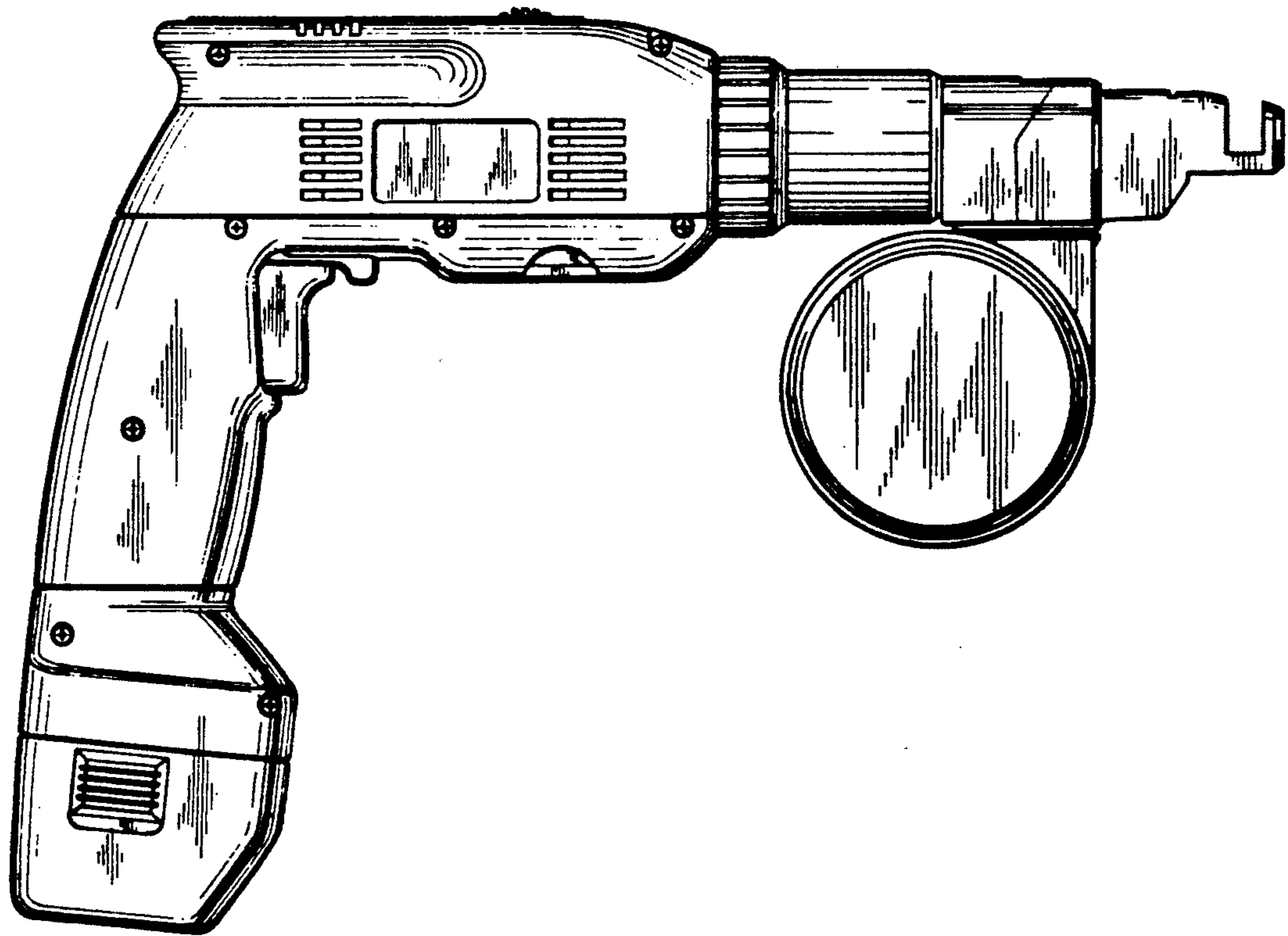


FIG. 5

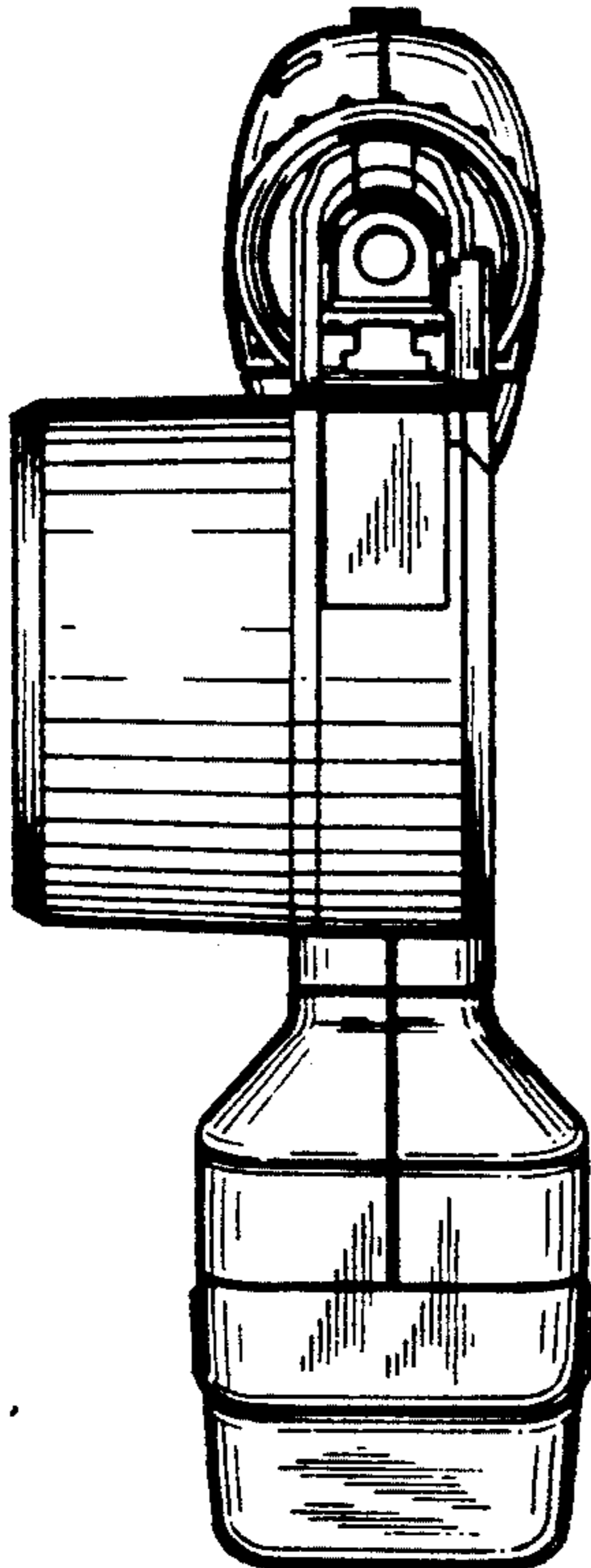


FIG. 6

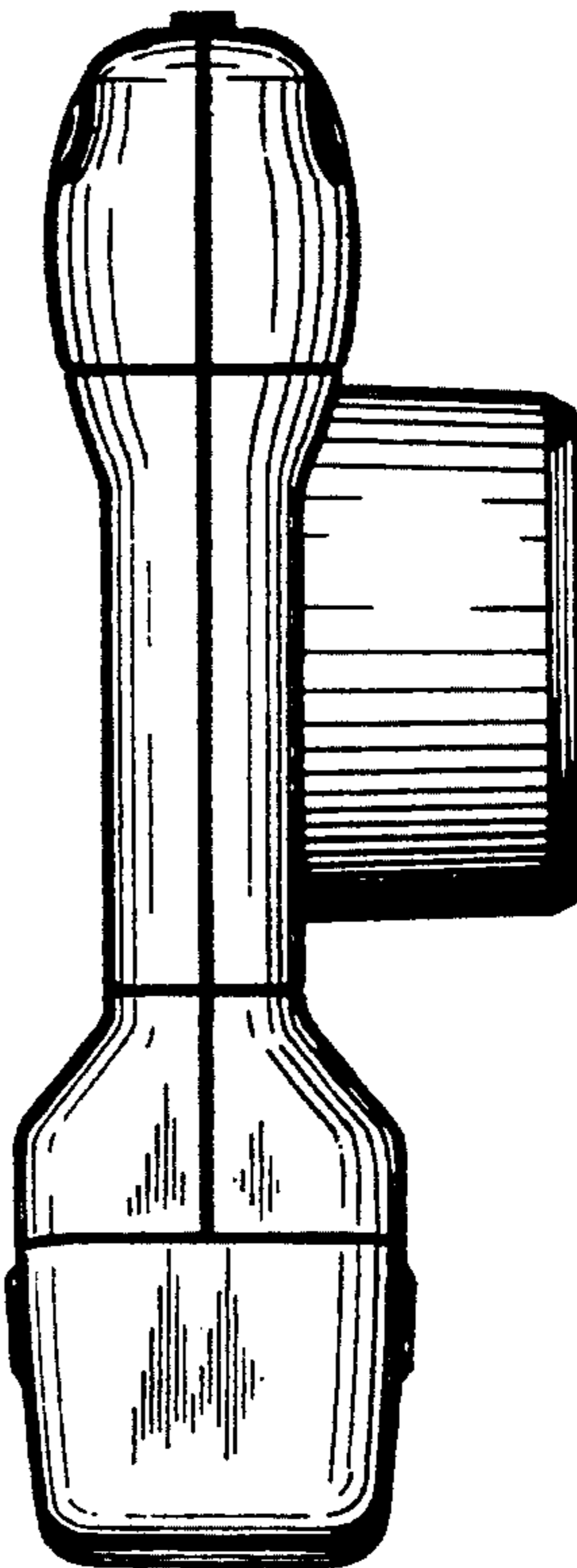


FIG. 7

