



US00D337037S

United States Patent [19] Yelton

[11] Patent Number: Des. 337,037
[45] Date of Patent: ** Jul. 6, 1993

[54] PORTABLE FLAT CONCRETE SAW
[75] Inventor: Darrell A. Yelton, Lee's Summit, Mo.
[73] Assignee: Target Products, Inc., Kansas City, Mo.
[**] Term: 14 Years
[21] Appl. No.: 716,341
[22] Filed: Jun. 17, 1991
[52] U.S. Cl. D8/64
[58] Field of Search D8/64; 30/275.4; 125/13.01, 12

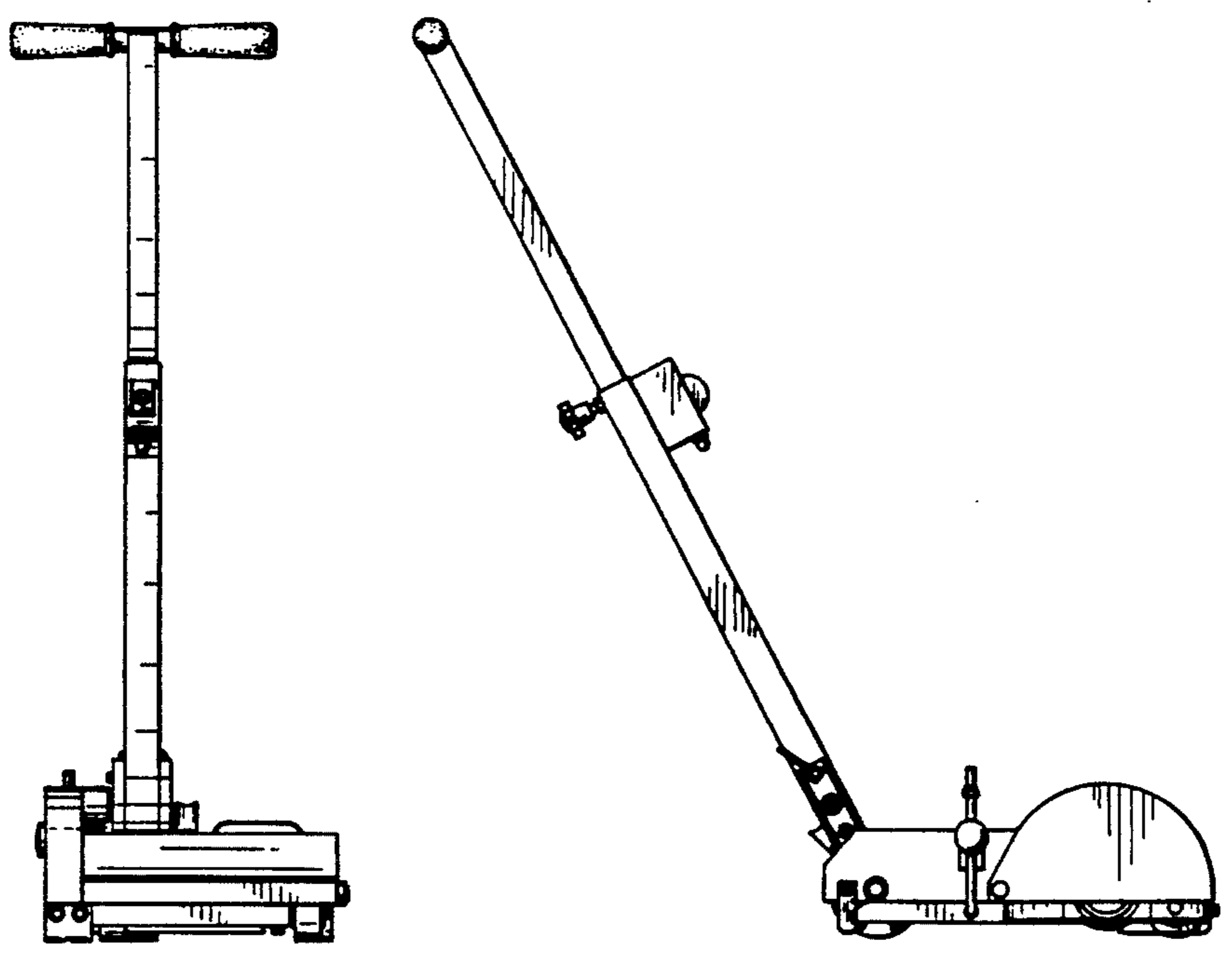
3,973,324 8/1976 Persson .
4,022,182 5/1977 Lenkevich .
4,055,160 10/1977 Wilson .
4,062,110 12/1977 Alvarez .
4,188,934 2/1980 Reinhardt et al. .
4,236,356 12/1980 Ward .
4,334,356 6/1982 Krosunger .
4,397,089 8/1983 Pease .
4,406,274 9/1983 Ogyu .
4,416,842 11/1983 Nash et al. .
4,454,901 6/1984 Thorsness .
4,456,303 6/1984 Due .
4,483,071 11/1984 te Kolst'e .
4,545,121 10/1985 Armbruster et al. .
4,769,201 9/1988 Chiuminatta et al. .
4,889,675 12/1989 Chiuminatta et al. .
4,903,680 2/1990 Chiuminatta et al. 125/13.01
4,928,662 5/1990 Chiuminatta et al. .
4,938,201 7/1990 Chiuminatta et al. .
5,056,499 10/1991 Chiuminatta et al. 125/13.01
5,086,750 2/1992 Chiuminatta et al. 125/13.01

[56] **References Cited**
U.S. PATENT DOCUMENTS
995,971 6/1911 Keyes .
1,356,339 10/1920 Clarke .
1,404,342 1/1922 Clarke .
1,731,872 10/1929 Schons .
1,736,538 11/1929 Kurtz .
1,740,074 12/1929 Crowe .
1,916,887 7/1933 McClain .
2,217,923 10/1940 Silverman .
2,344,262 3/1944 Odierna et al. .
2,487,277 11/1949 Siftar .
2,688,347 9/1954 Schmidt .
2,700,256 1/1955 Lewis .
2,701,134 2/1955 Klicpera .
2,722,244 11/1955 Schultz .
2,949,068 8/1960 Gresham .
2,996,089 8/1961 McCarty .
3,353,266 11/1967 Goolsby .
3,496,972 2/1970 Rees .
3,585,980 6/1971 Mellor .
3,775,529 11/1973 Steenson et al. .
3,910,711 10/1975 Moorhead .

Primary Examiner—Alan P. Douglas
Assistant Examiner—J. H. Musgrove
Attorney, Agent, or Firm—Kokjer, Kircher, Bowman & Johnson

[57] **CLAIM**
The ornamental design for a portable flat concrete saw, as shown and described.

DESCRIPTION
FIG. 1 is a front elevational view of a portable flat concrete saw showing my new design; FIG. 2 is a left side elevational view thereof; FIG. 3 is a rear elevational view thereof; FIG. 4 is a right side elevational view thereof; FIG. 5 is a top plan view thereof; and, FIG. 6 is a bottom plan view thereof.



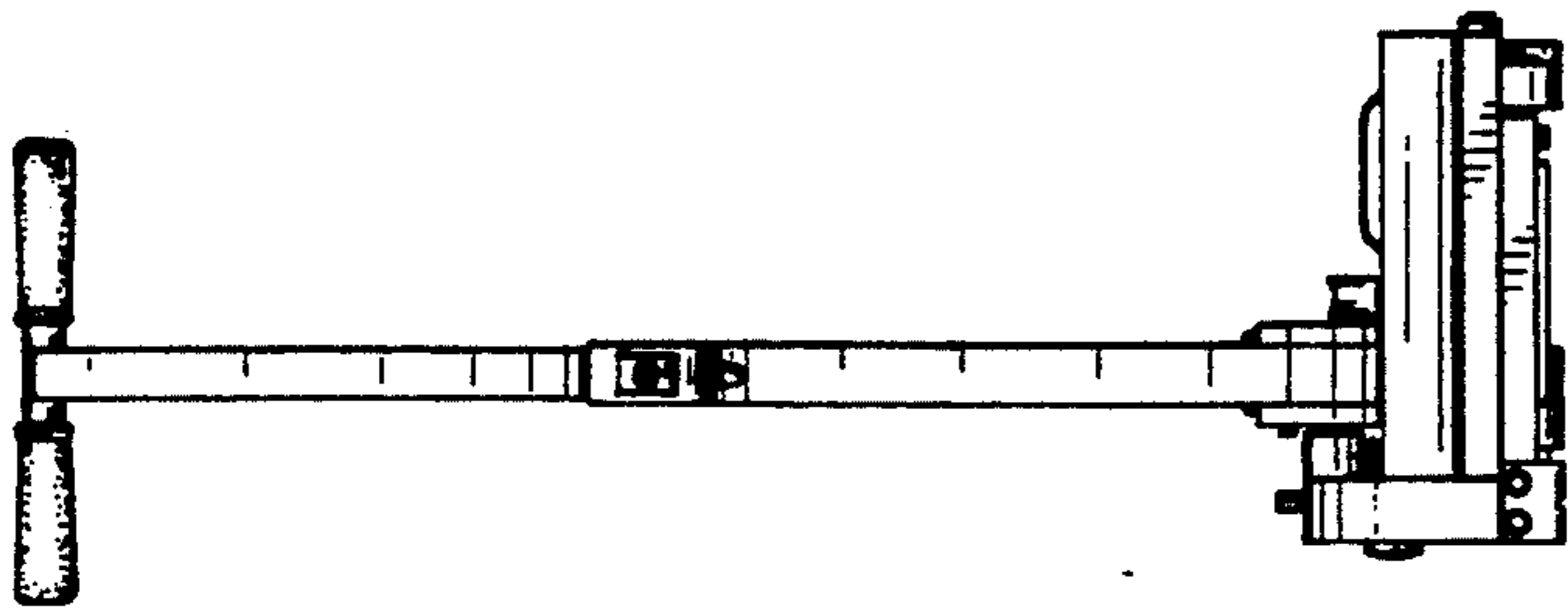


Fig. 1.

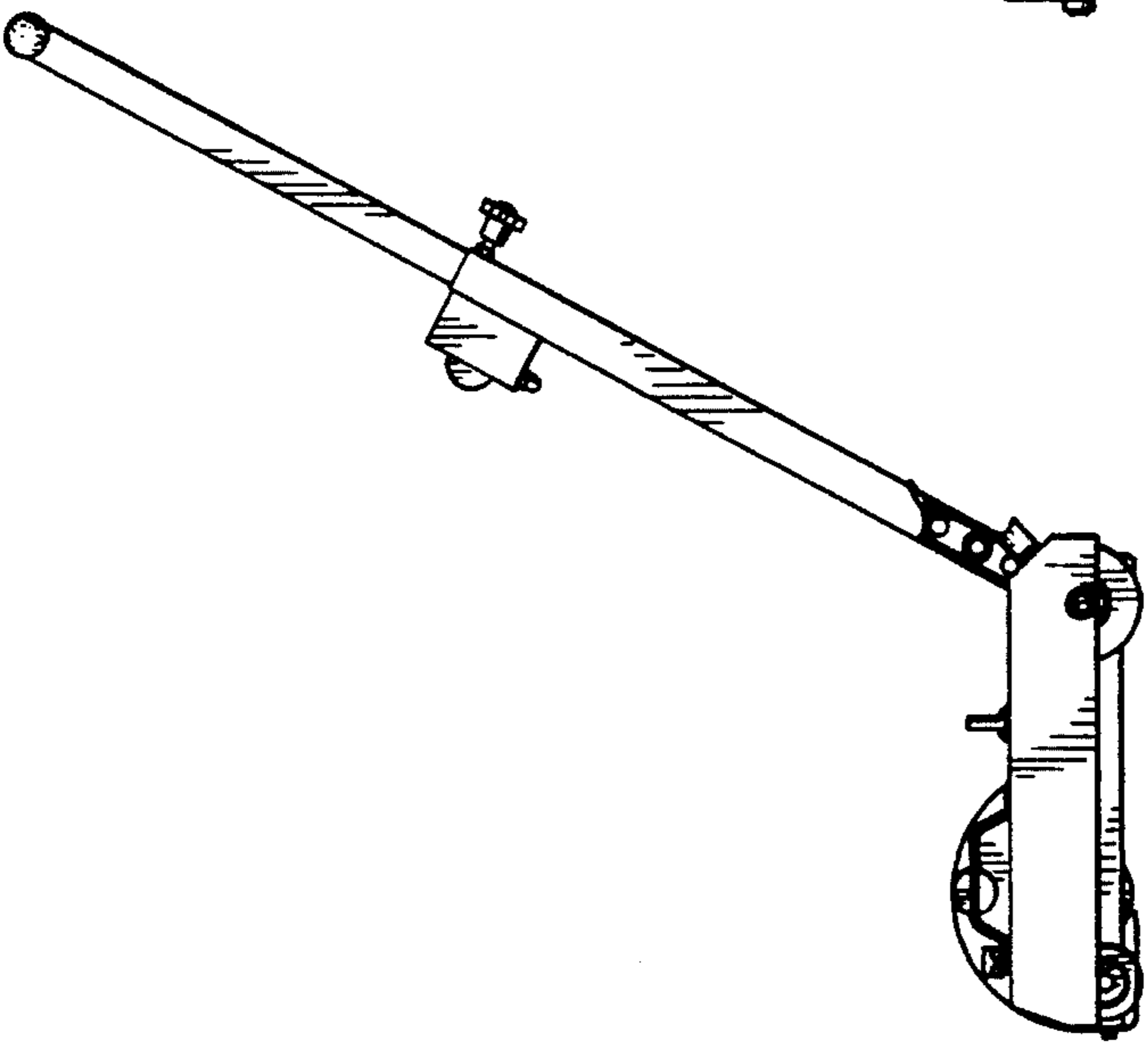


Fig. 2.

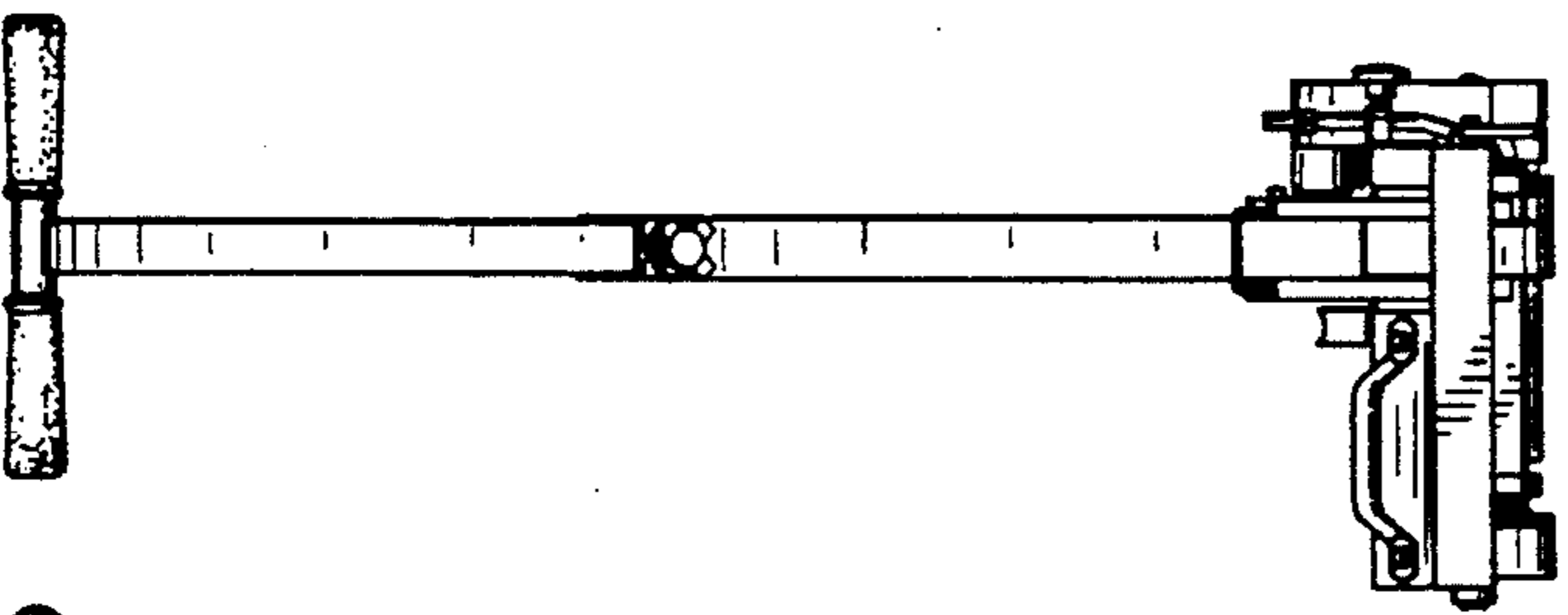


Fig. 3.

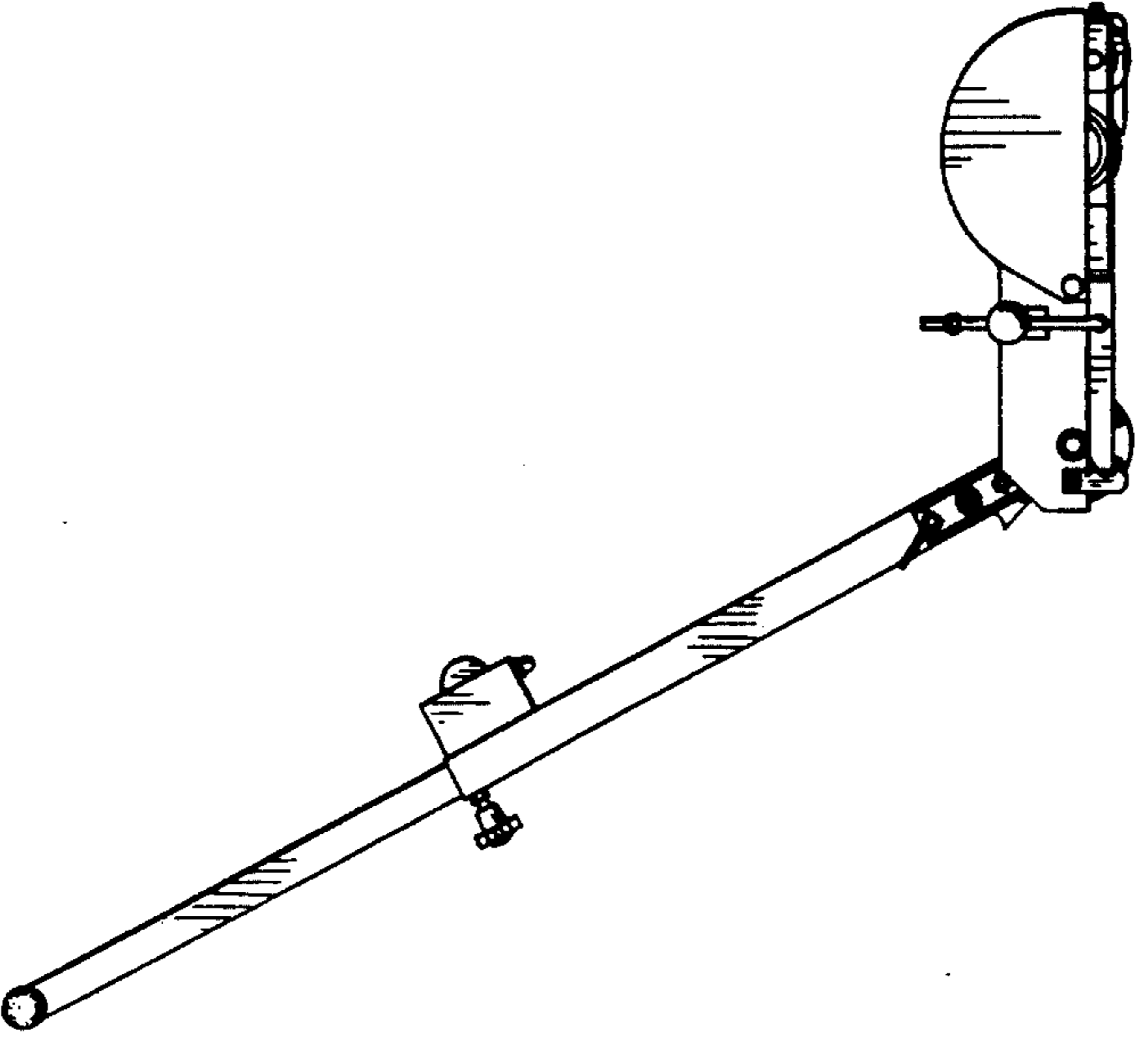


Fig. 4.

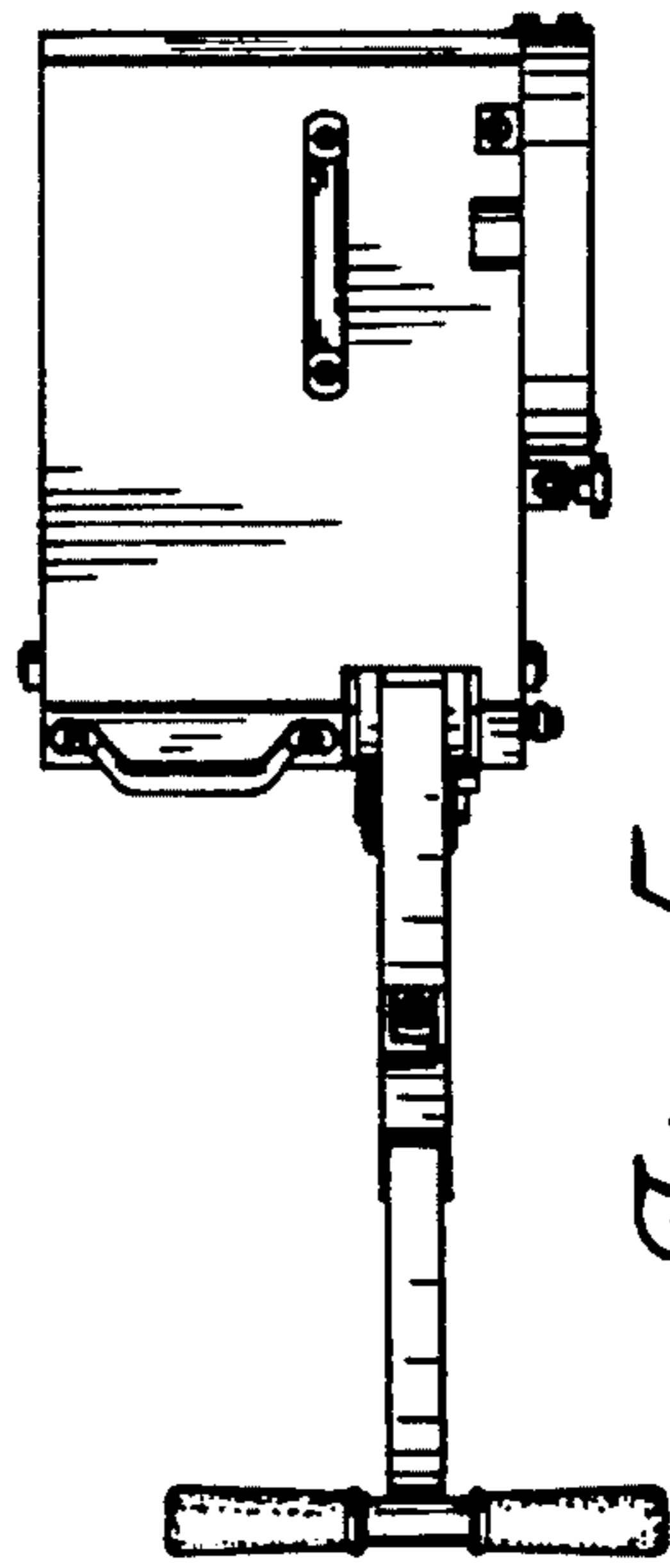


Fig. 5.

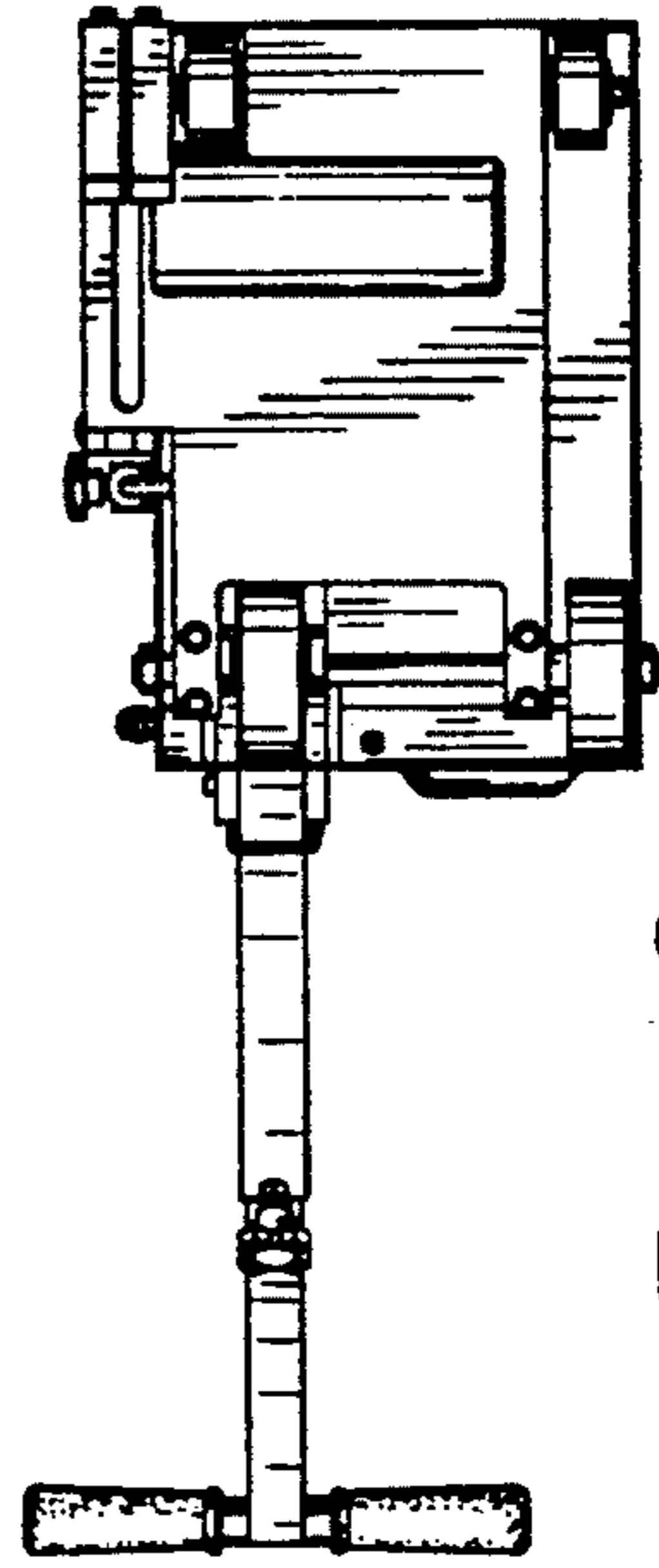


Fig. 6.