



US00D337029S

United States Patent [19]

McKechnie

[11] Patent Number: **Des. 337,029**

[45] Date of Patent: **** Jul. 6, 1993**

[54] CAN HOLDER

[76] Inventor: **Dan McKechnie**, 158 Jay Dr.,
Altamonte Springs, Fla. 32714

[**] Term: **14 Years**

[21] Appl. No.: **745,374**

[22] Filed: **Aug. 15, 1991**

[52] U.S. Cl. **D7/622; D7/536;**
D7/605

[58] Field of Search **D7/533, 536, 605-608,**
D7/622; 62/457.1, 457.3, 457.4; 211/71, 74;
220/737-739; 229/1.5 H; 248/311.2

[56] **References Cited**

U.S. PATENT DOCUMENTS

D. 204,474 4/1966 Trombley D7/622
2,676,832 4/1954 Keiter .

3,332,540 7/1967 Browning 220/737 X
4,654,274 3/1987 DeMars .
4,928,873 5/1990 Johnson .

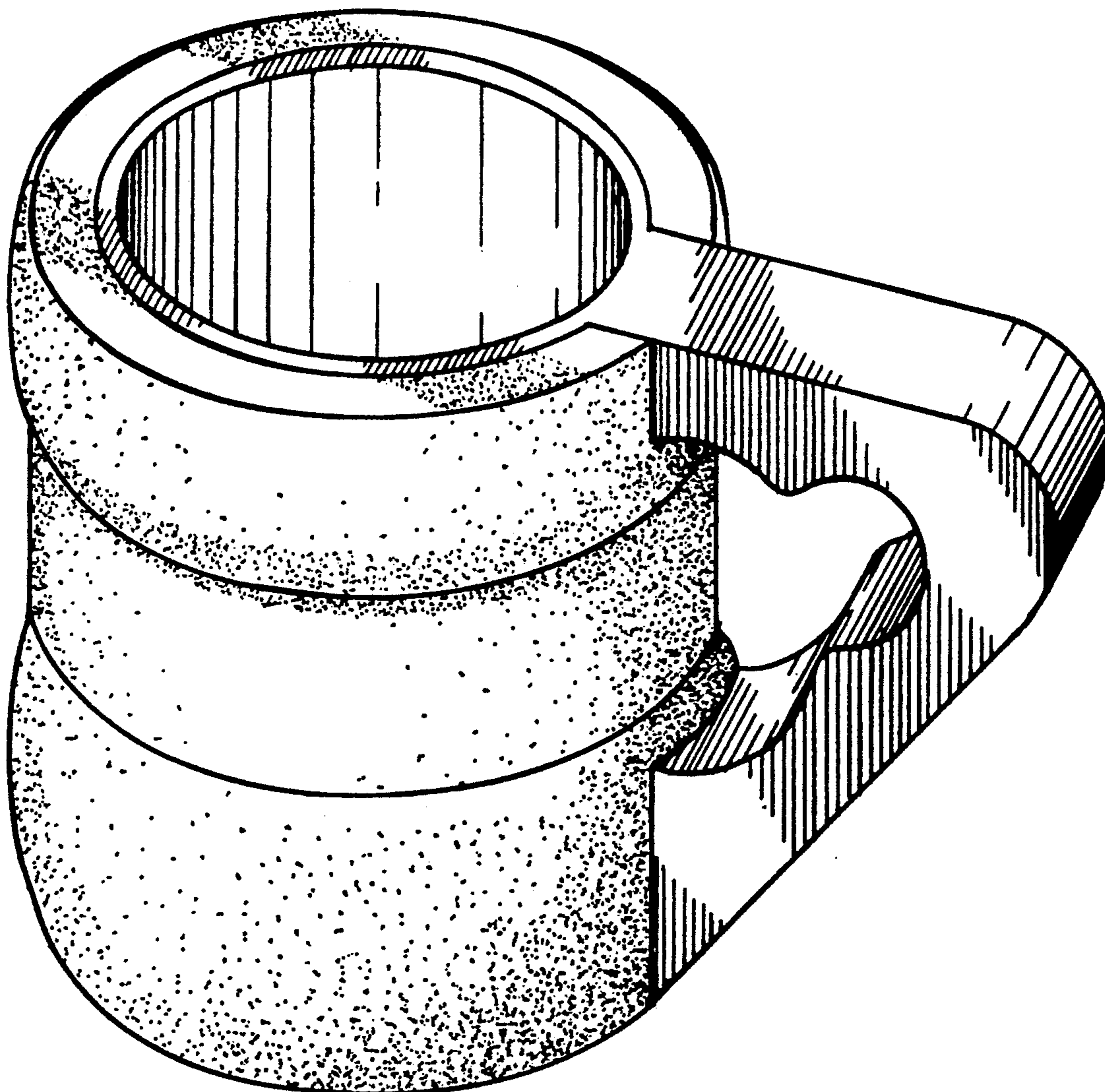
Primary Examiner—Terry A. Pfeffer
Attorney, Agent, or Firm—Terry M. Gernstein

[57] CLAIM

The ornamental design for a can holder, as shown and described.

DESCRIPTION

FIG. 1 is a perspective view of the can holder showing my new design;
FIG. 2 is a front elevational view thereof;
FIG. 3 is a rear elevational view thereof;
FIG. 4 is a side elevational view thereof, the side opposite being a mirror image of the side shown in FIG. 4;
FIG. 5 is a top plan view thereof; and,
FIG. 6 is a bottom view thereof.



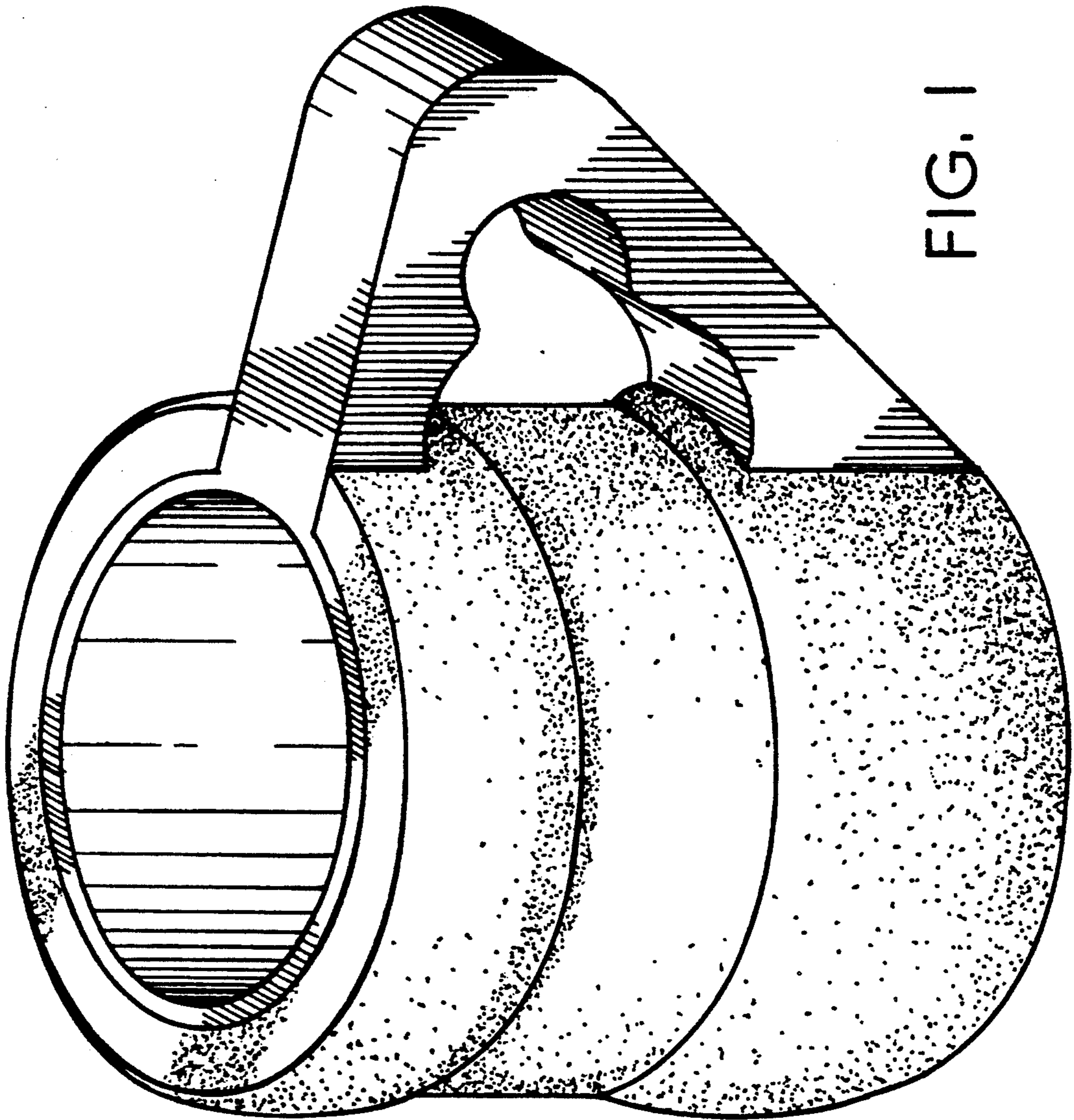


FIG. 1

FIG. 5

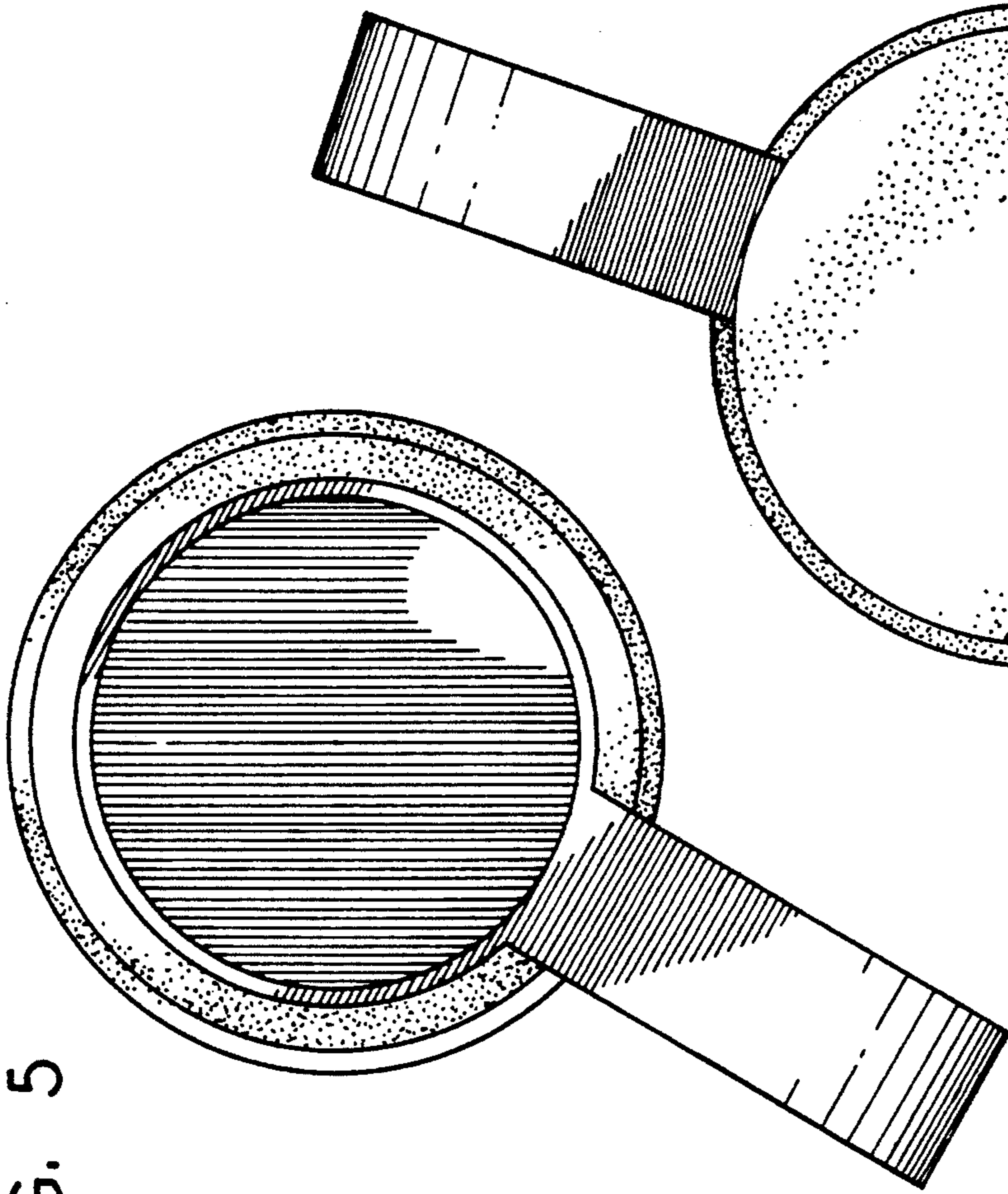


FIG. 2

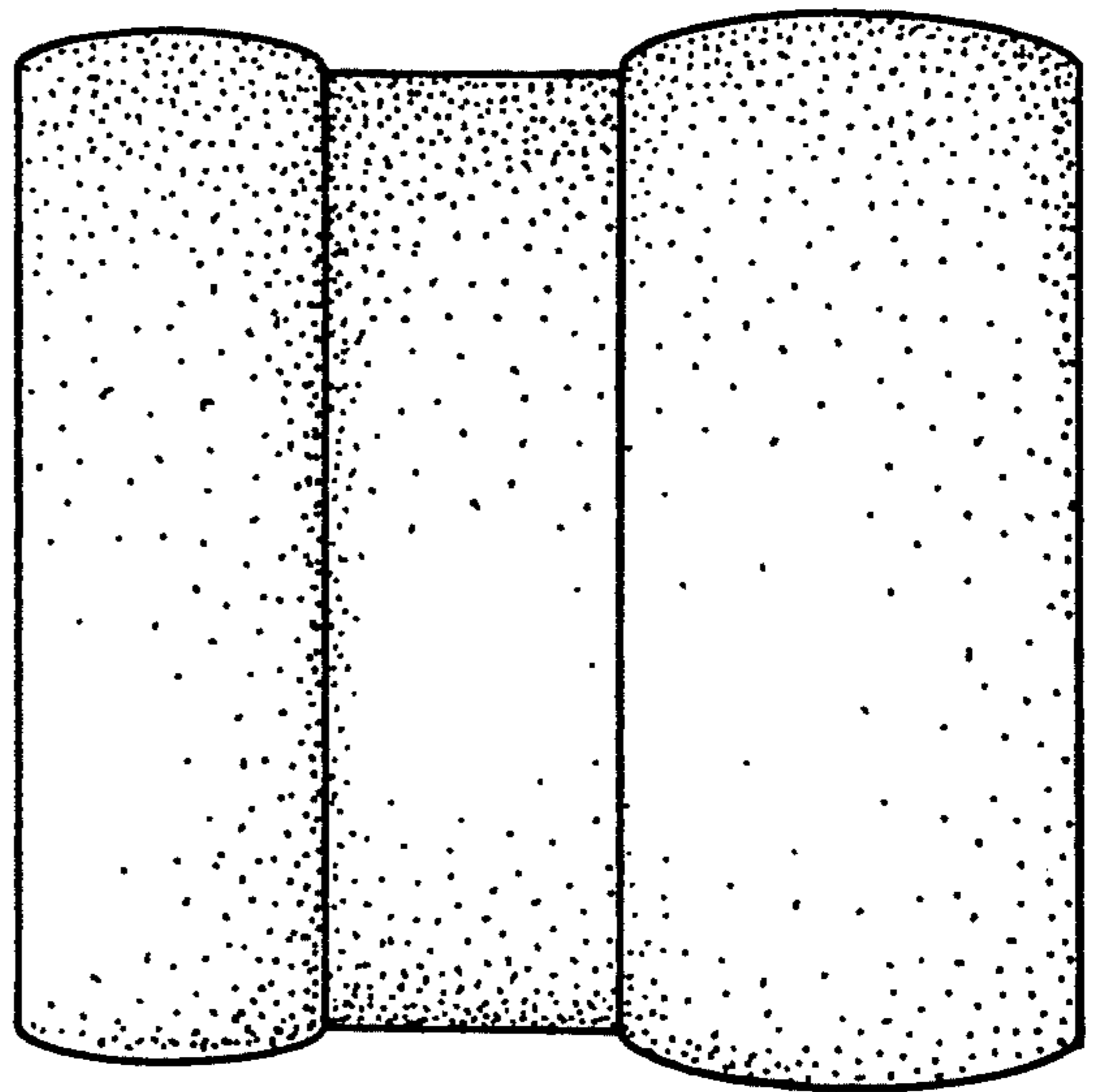
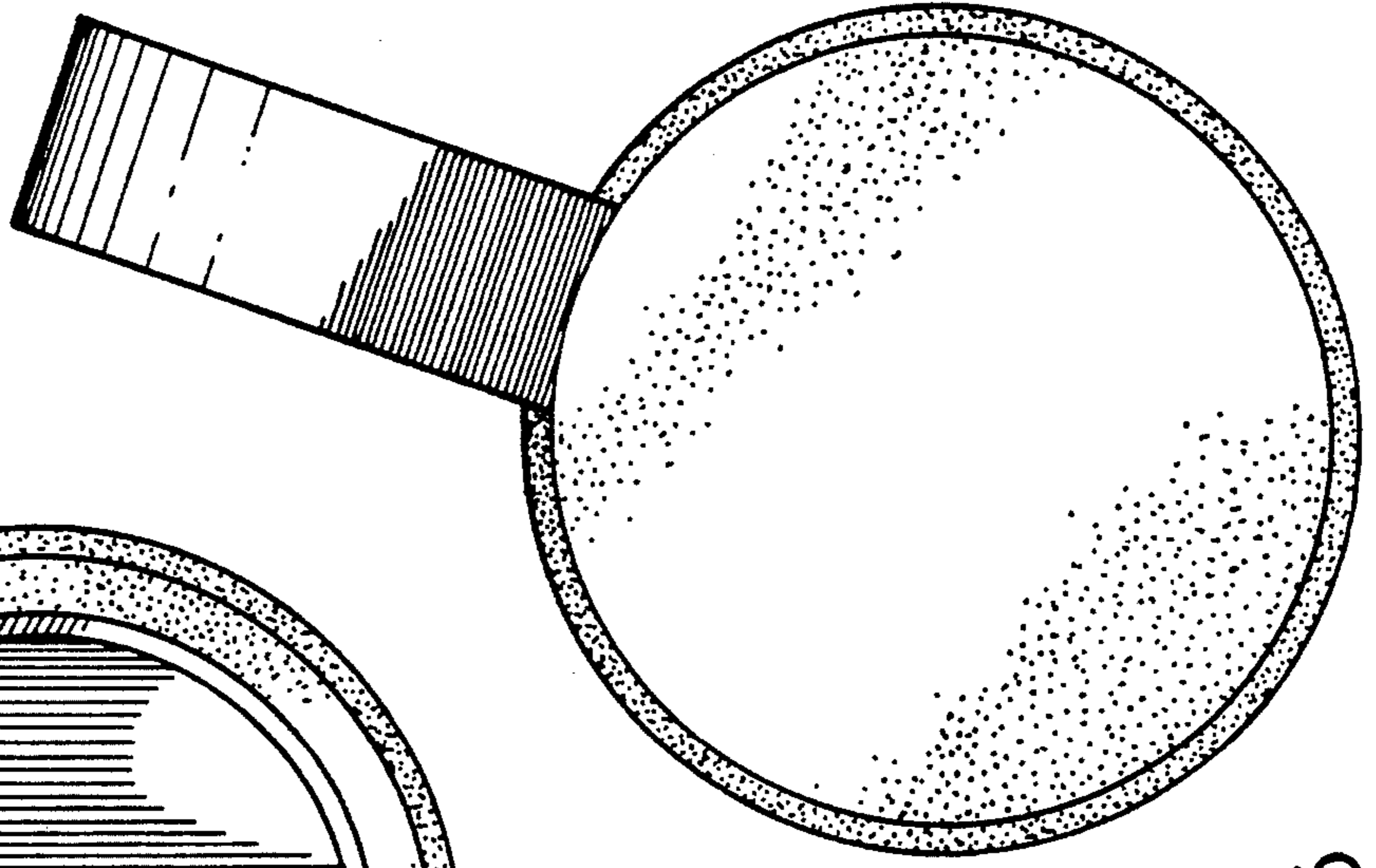


FIG. 6



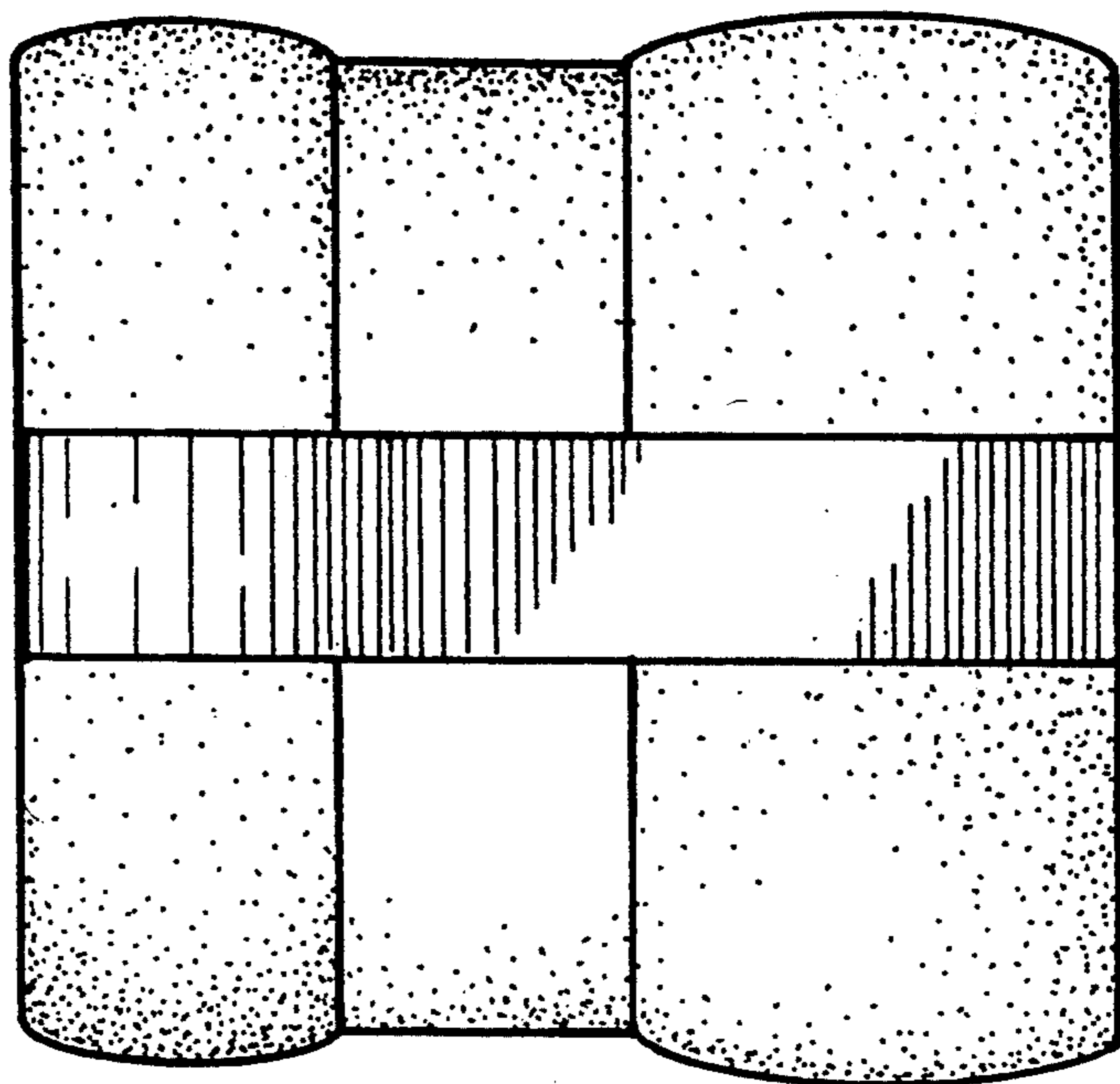


FIG. 3

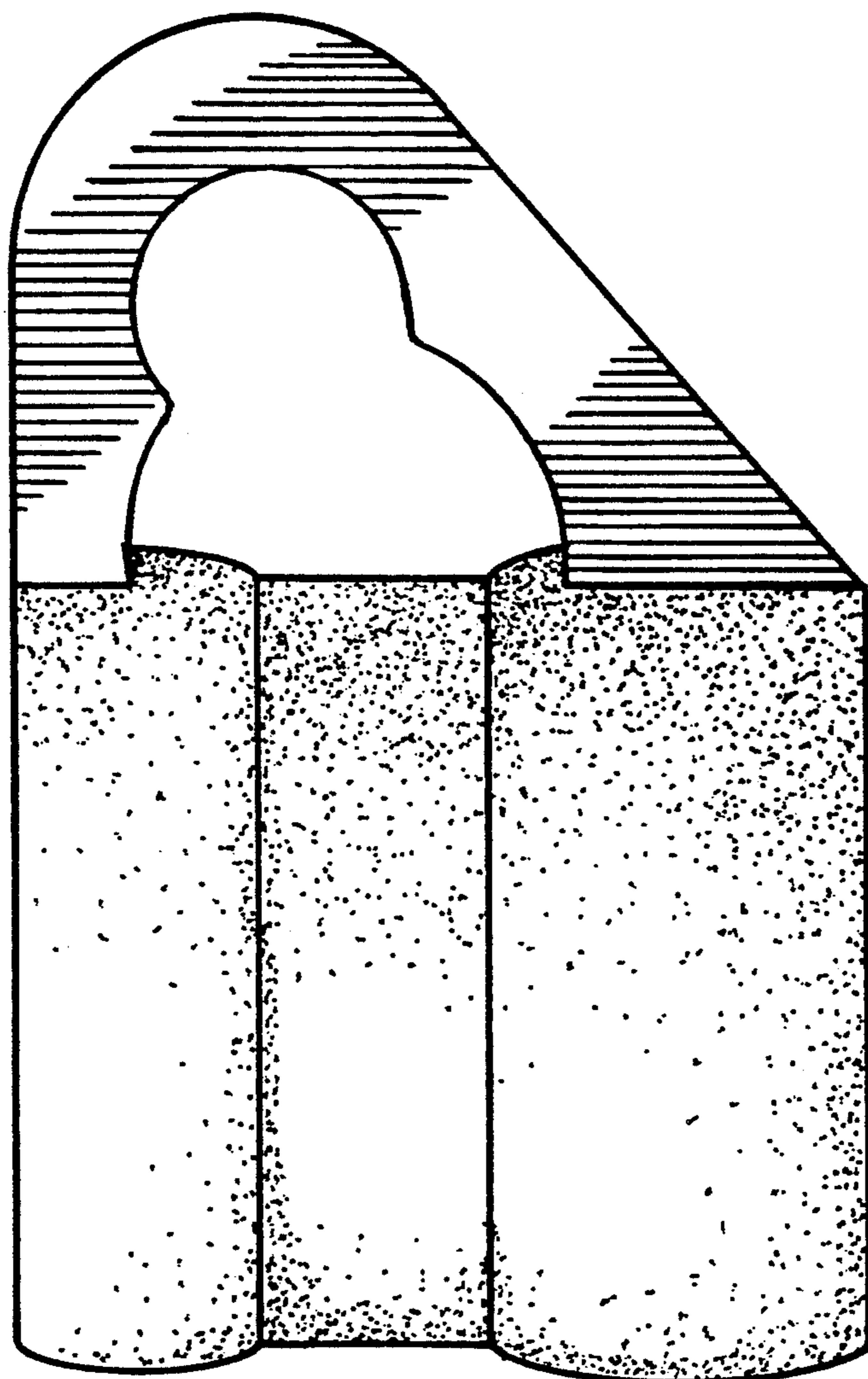


FIG. 4