



US00D337027S

United States Patent [19]
Malatok

[11] **Patent Number: Des. 337,027**
[45] **Date of Patent: ** Jul. 6, 1993**

[54] **CUP HOLDER**

[56] **References Cited**

[76] **Inventor: James Malatok, 294 Elm St.,
Struthers, Ohio 44471**

U.S. PATENT DOCUMENTS

3,163,287 12/1964 Barnett D7/616 X

Primary Examiner—Terry A. Pfeffer
Attorney, Agent, or Firm—Harpman & Harpman

[**] **Term: 14 Years**

[57] **CLAIM**

The ornamental design for a cup holder, as shown and described.

[21] **Appl. No.: 756,766**

DESCRIPTION

[22] **Filed: Sep. 9, 1991**

FIG. 1 is a perspective view of a cup holder showing my new design;

[52] **U.S. Cl. D7/619**

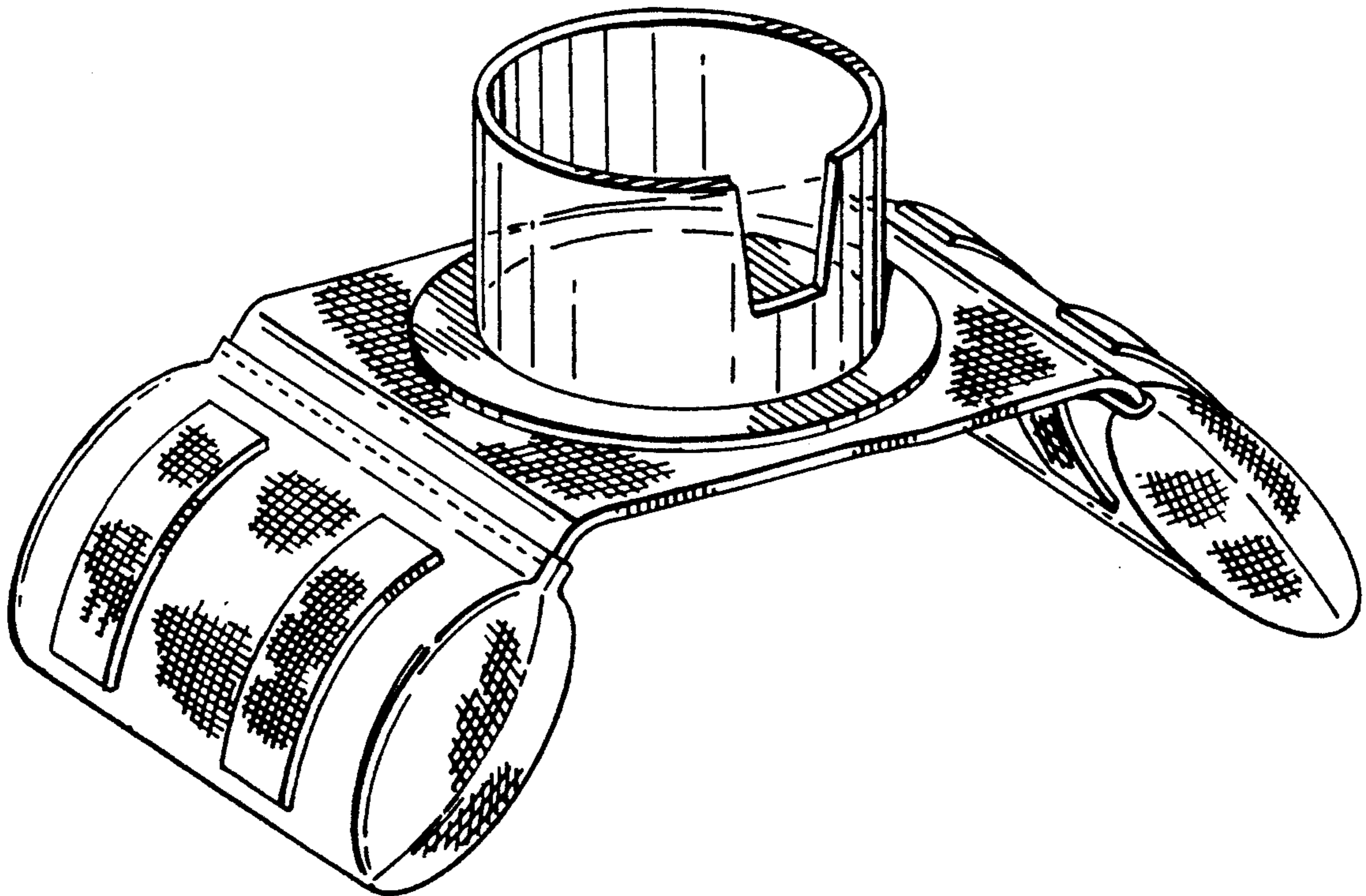
FIG. 2 is a bottom plan view thereof;

[58] **Field of Search D7/616-623;**

FIG. 3 is a top plan view thereof; and,

211/71, 74; 220/737-739; 229/1.5 H; 297/188,
194

FIG. 4 is a side elevation view thereof; the side opposite being a mirror image.



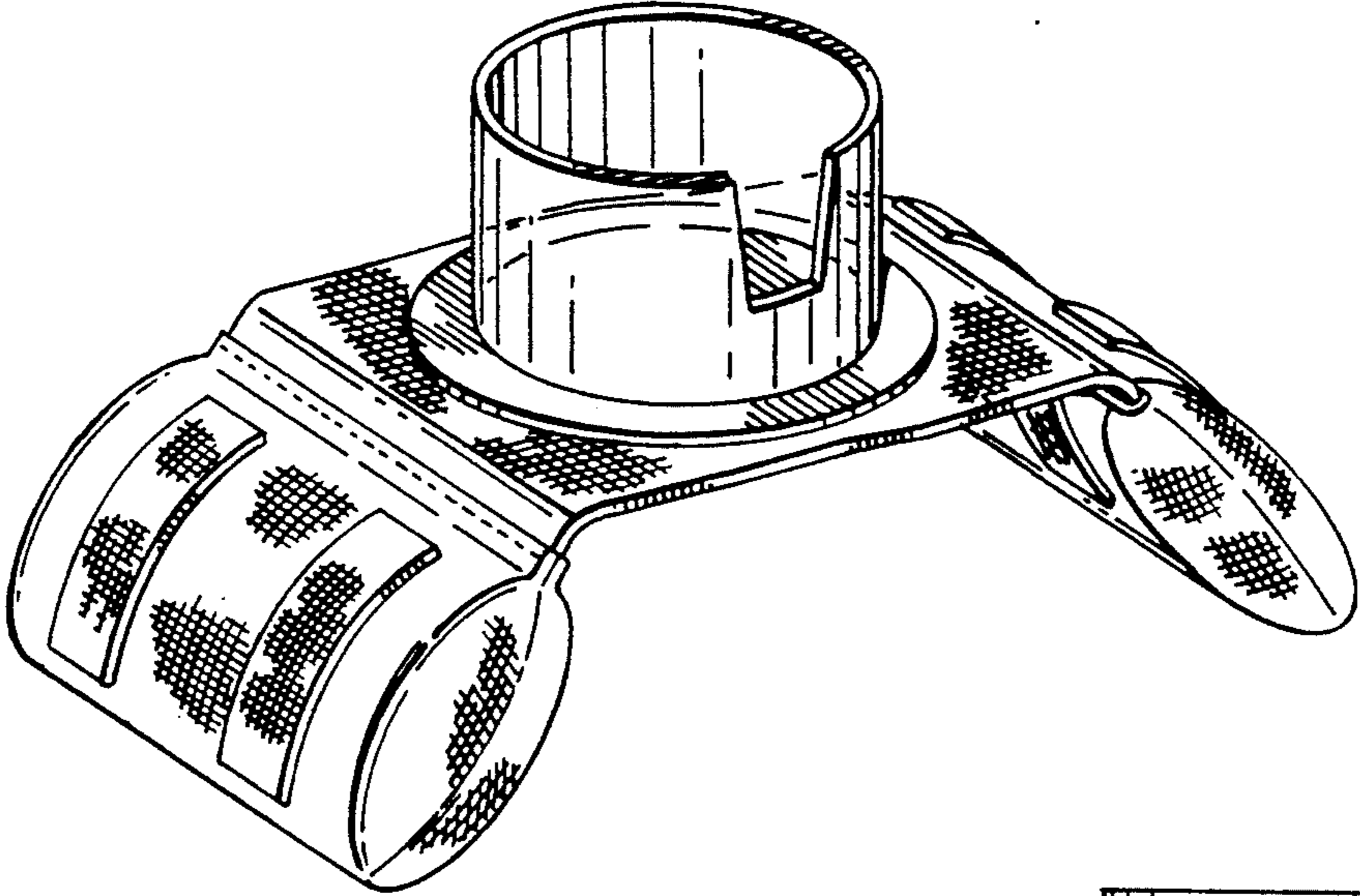


FIG. 1

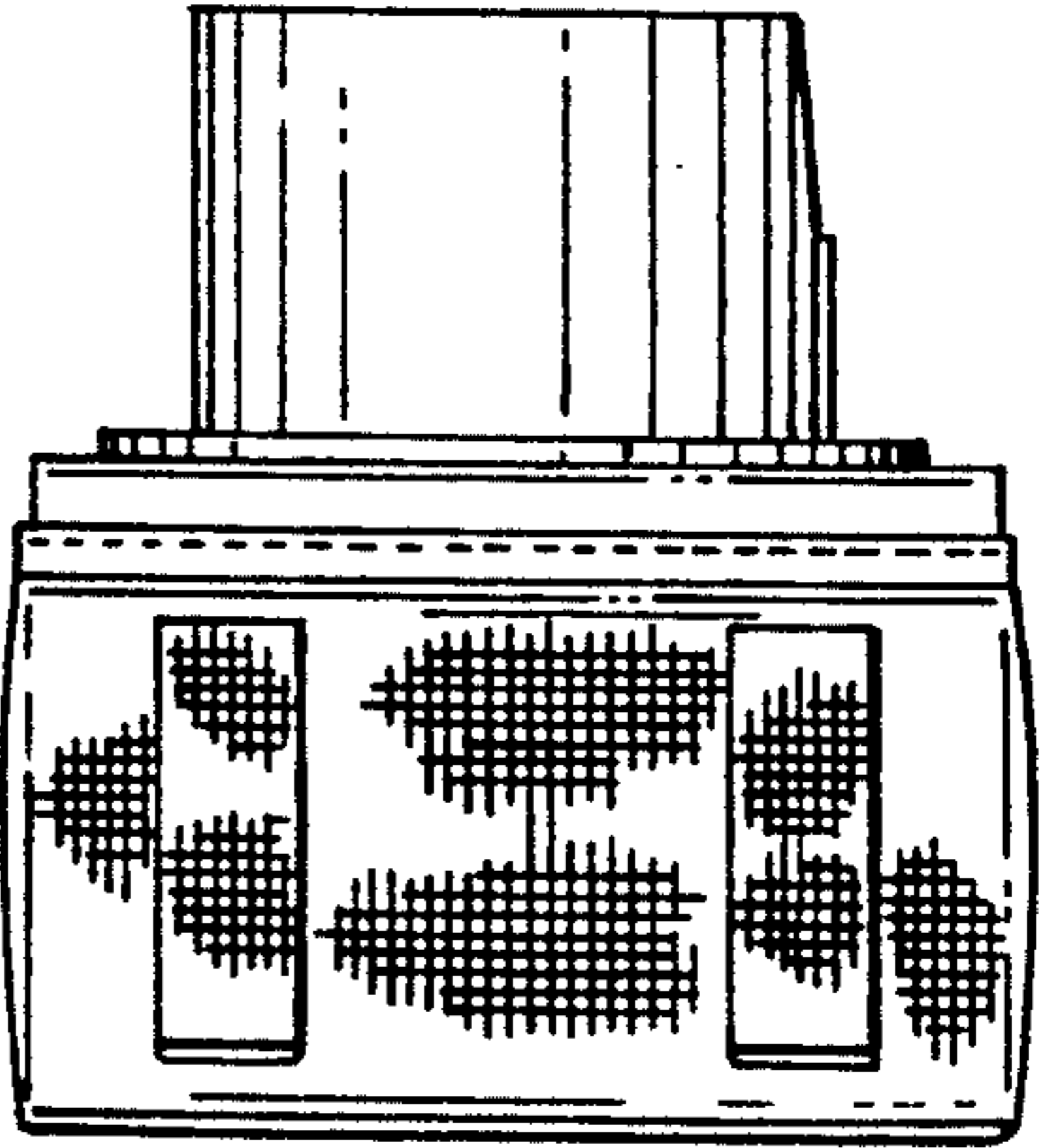


FIG. 4

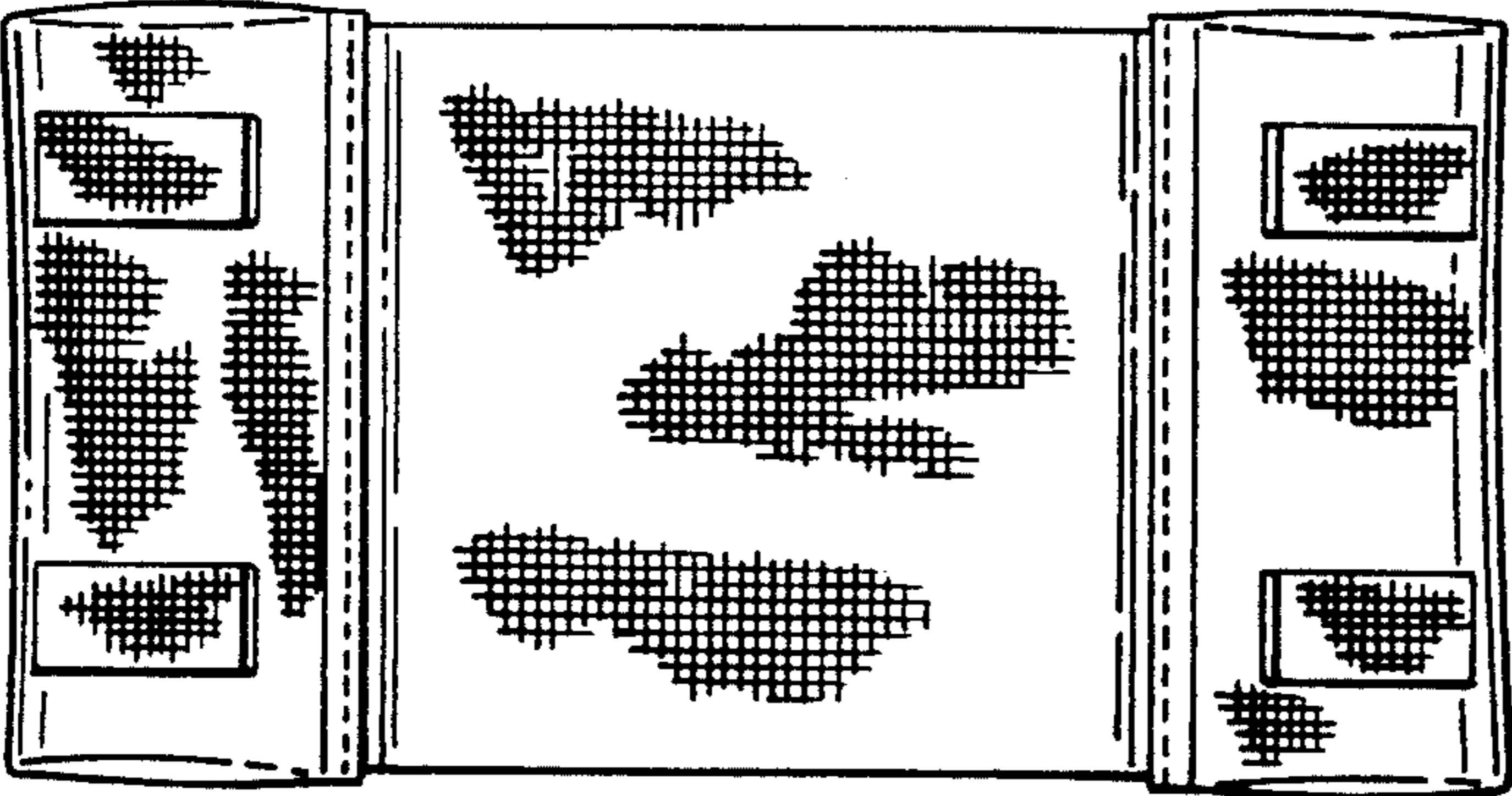


FIG. 2

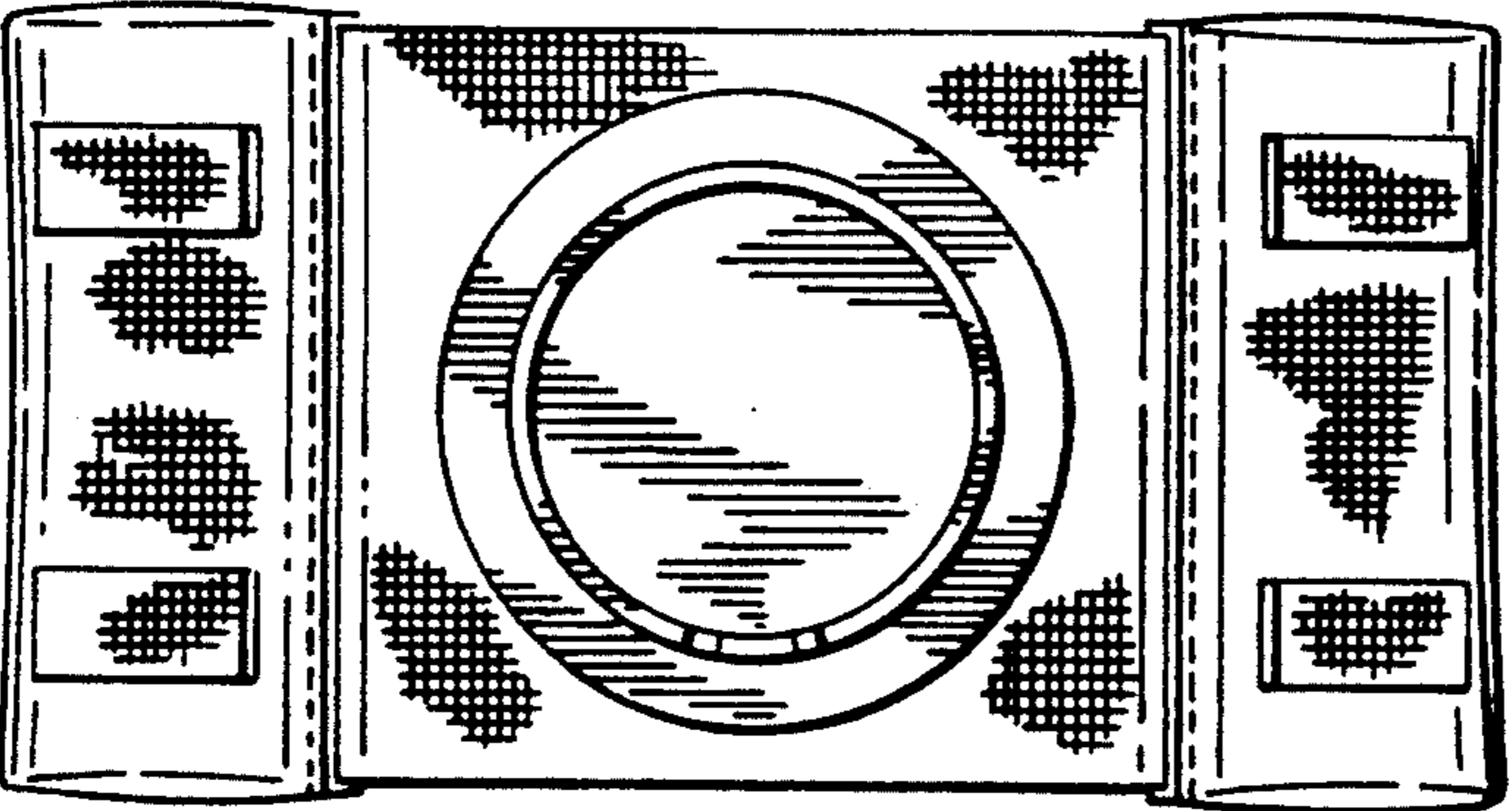


FIG. 3